



US00D672901S

(12) **United States Design Patent**
Chiesurin

(10) **Patent No.:** **US D672,901 S**

(45) **Date of Patent:** **** Dec. 18, 2012**

(54) **LIGHTING FIXTURE**

(75) Inventor: **Eliano Chiesurin**, Porcia (IT)

(73) Assignee: **Domus Line S.r.l.**, Porcia (IT)

(**) Term: **14 Years**

(21) Appl. No.: **29/406,592**

(22) Filed: **Nov. 16, 2011**

(30) **Foreign Application Priority Data**

May 16, 2011 (EM) 001863895-0005

(51) **LOC (9) Cl.** **26-03**

(52) **U.S. Cl.** **D26/85; D26/80**

(58) **Field of Classification Search** D26/70,
D26/71, 72, 80, 85, 87, 92; 362/147, 431,
362/432, 183, 33

See application file for complete search history.

(56) **References Cited**

U.S. PATENT DOCUMENTS

4,626,965	A *	12/1986	Gupta et al.	362/33
D408,938	S *	4/1999	Miyatake	D26/87
5,984,486	A *	11/1999	Munz et al.	362/33
D465,593	S *	11/2002	Chang	D26/72
D493,009	S *	7/2004	Ken	D26/51
D566,876	S *	4/2008	Allen et al.	D26/85
D576,333	S *	9/2008	Benensohn	D26/72
D604,004	S *	11/2009	Guercio	D26/85

D608,040	S *	1/2010	Guercio	D26/71
D626,679	S *	11/2010	Verelst	D26/85
D630,364	S *	1/2011	Schmitt et al.	D26/72
D662,249	S *	6/2012	Wauters	D26/85
D662,646	S *	6/2012	Wauters	D26/85

* cited by examiner

Primary Examiner — Clare E Heflin

(74) *Attorney, Agent, or Firm* — Oblon, Spivak,
McClelland, Maier & Neustadt, L.L.P.

(57) **CLAIM**

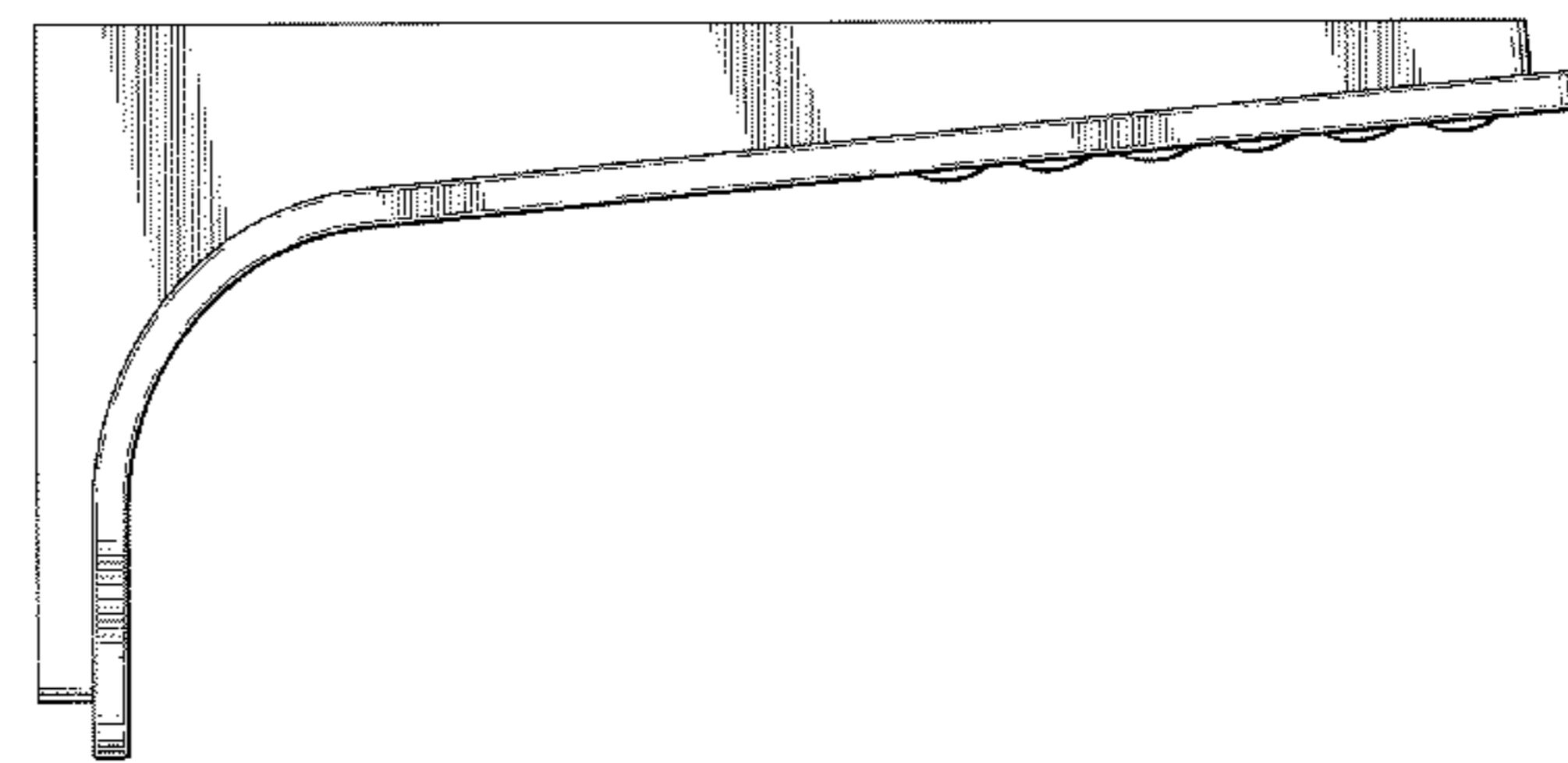
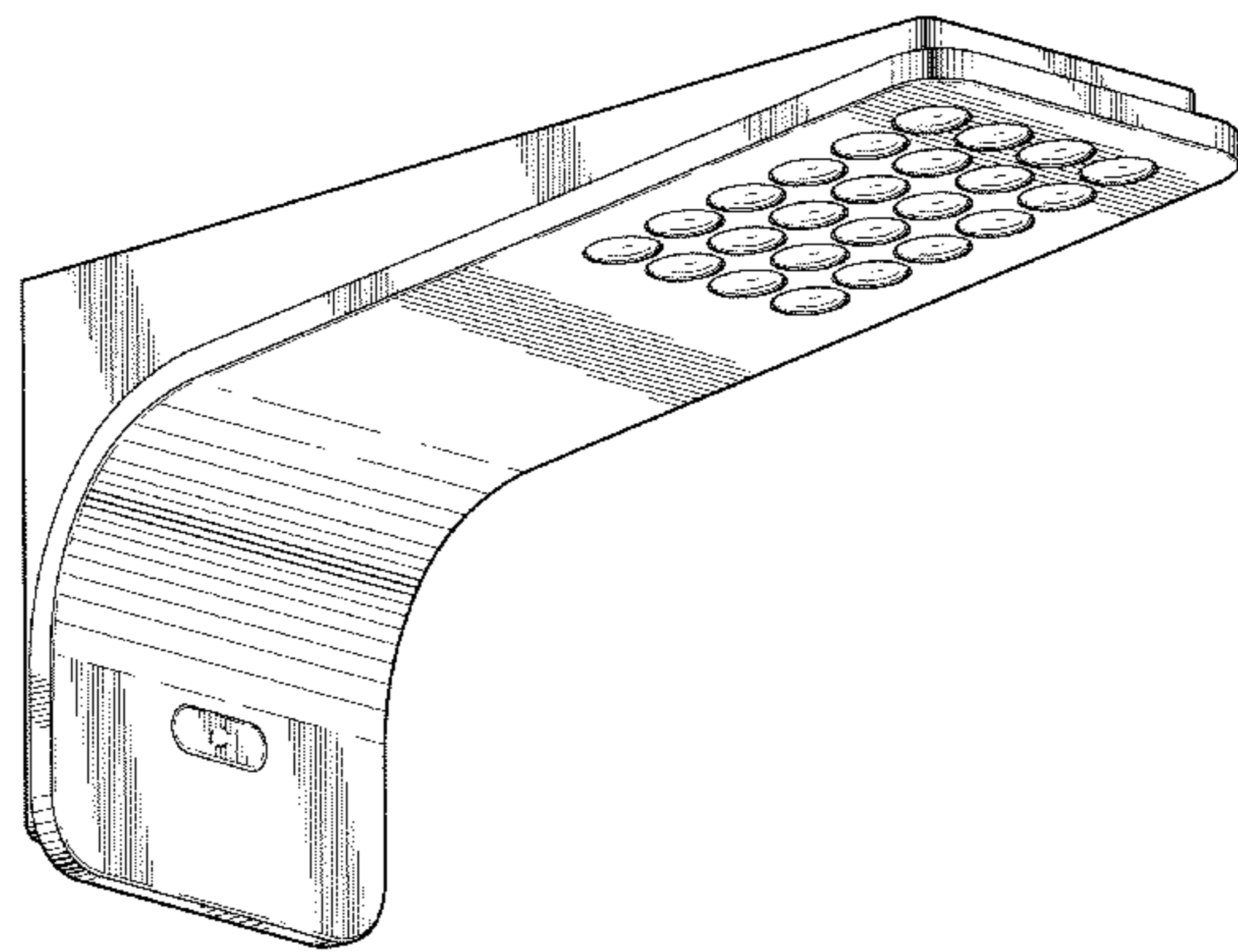
The ornamental design for a lighting fixture, as shown and described.

DESCRIPTION

FIG. 1 is a front, bottom, and left side perspective view of a lighting fixture in a use environment;
FIG. 2 is another front, bottom, and left side perspective view thereof;
FIG. 3 is a left side elevational view thereof, the right side elevational view being a mirror image of the left side elevational view shown; and,
FIG. 4 is a bottom plan view thereof.

The broken lines in the drawings depict environmental subject matter only and form no part of the claimed design. The rear and top views, which are not shown in the drawings, form no part of the claimed design.

1 Claim, 4 Drawing Sheets



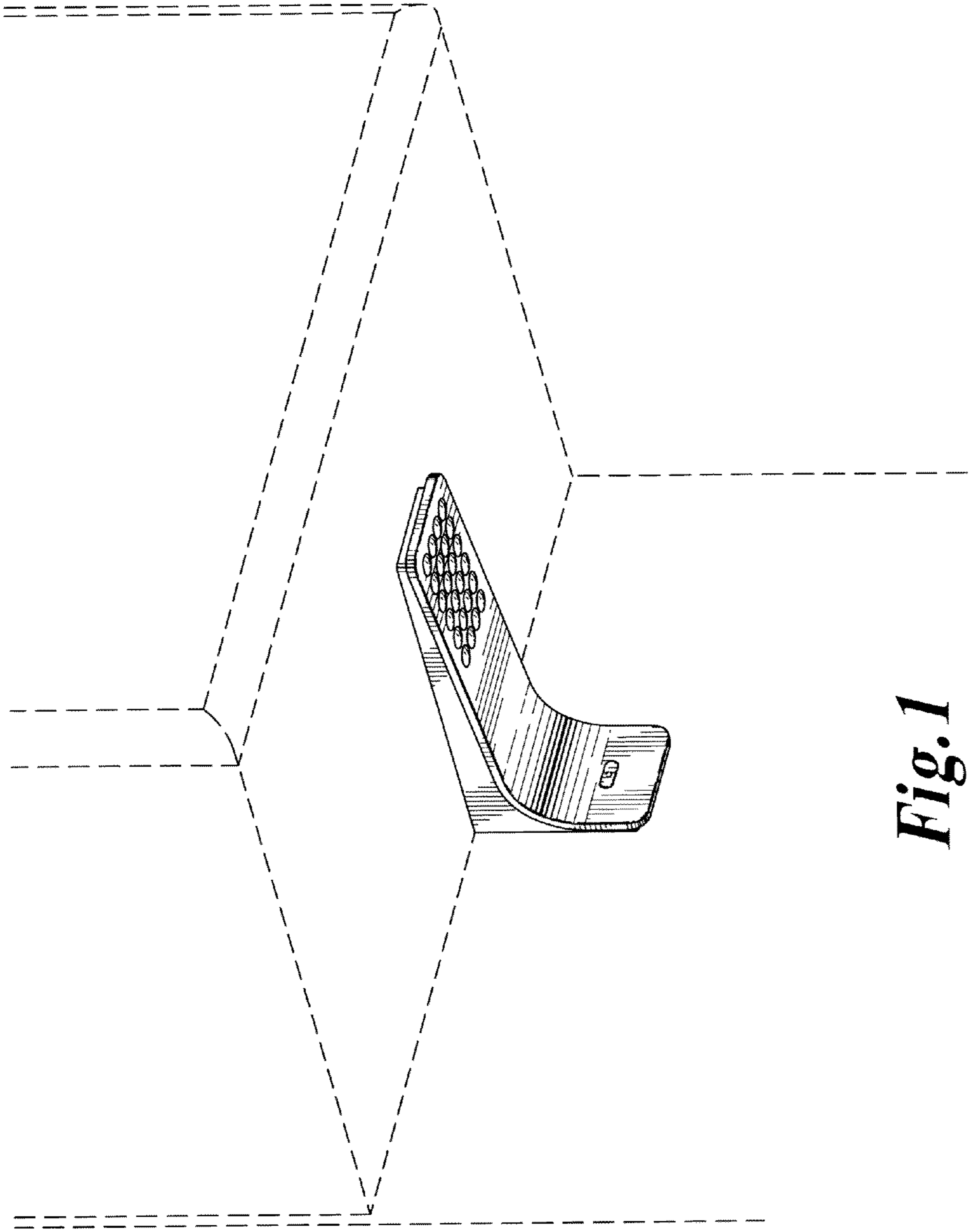


Fig. 1

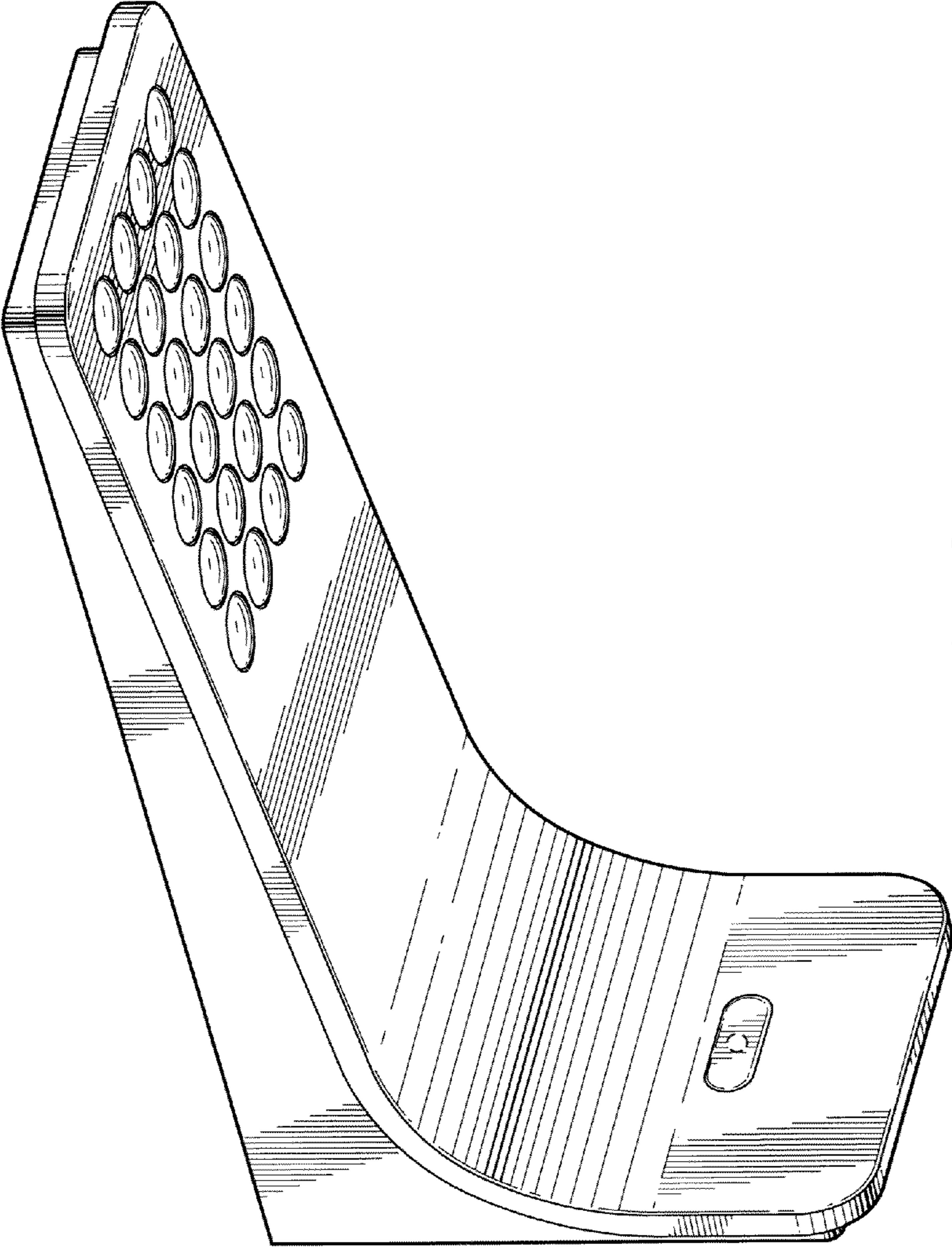


Fig. 2

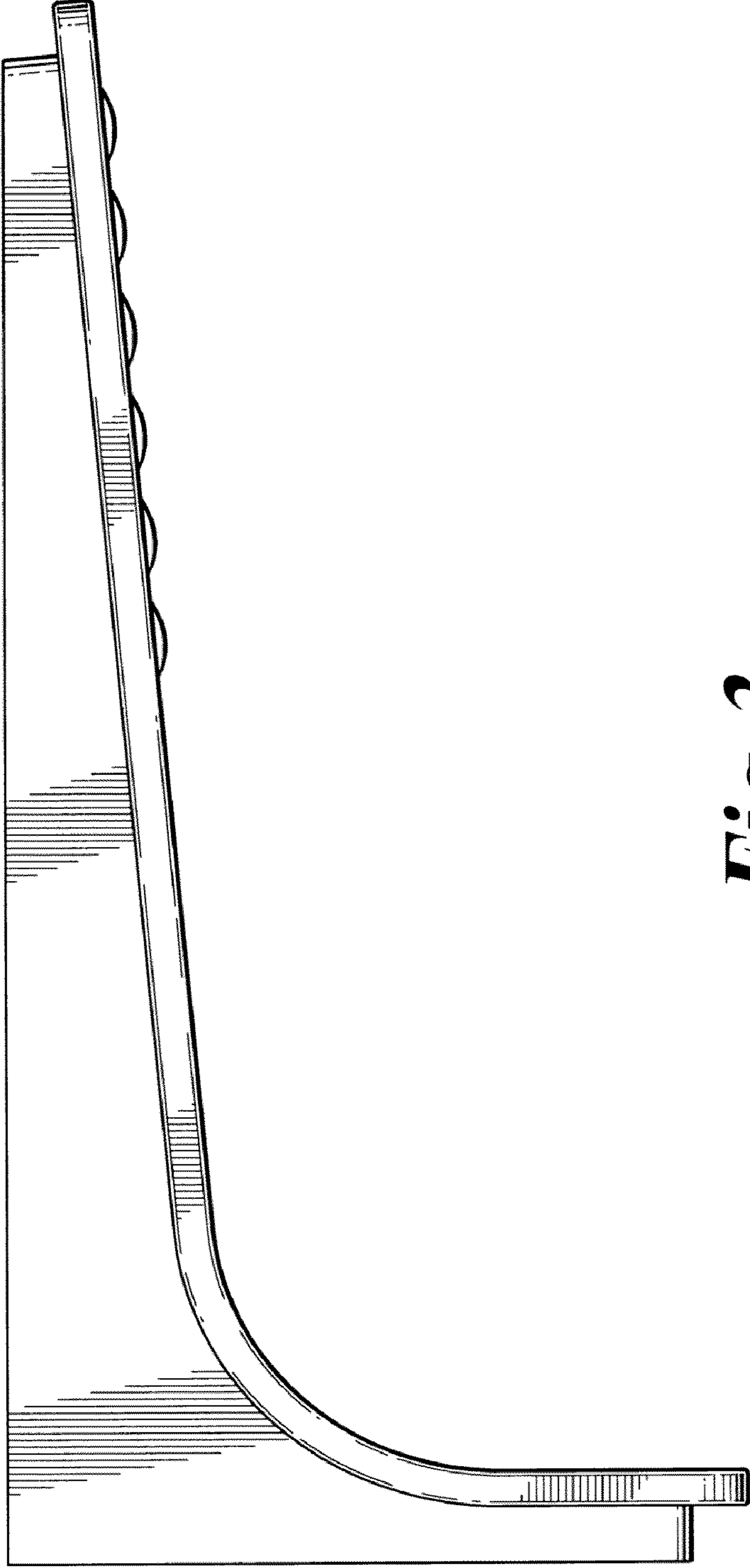


Fig. 3

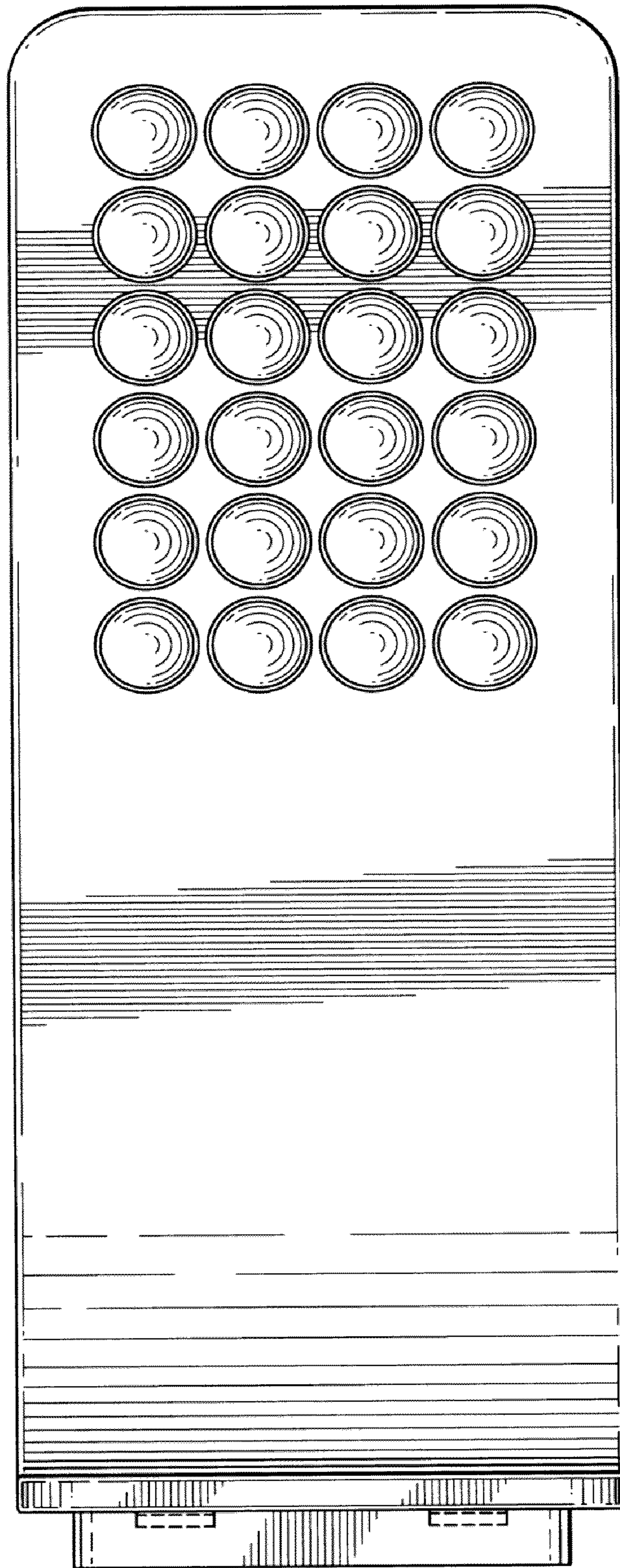


Fig. 4