



US00D672896S

(12) **United States Design Patent**
Guercio et al.

(10) **Patent No.:** **US D672,896 S**
(45) **Date of Patent:** **** Dec. 18, 2012**

- (54) **GOOSENECK LED FIXTURE**
- (75) Inventors: **Vincenzo Guercio**, Wallkill, NY (US);
Wengang Gao, Ningbo (CN)
- (73) Assignee: **RAB Lighting Inc.**, Northvale, NJ (US)
- (**) Term: **14 Years**
- (21) Appl. No.: **29/425,570**
- (22) Filed: **Jun. 25, 2012**

- D332,504 S 1/1993 Ewing et al.
- D370,289 S 5/1996 Deron
- 6,203,176 B1 3/2001 Gordin
- D516,229 S 2/2006 Tang
- D528,673 S 9/2006 Maxik et al.
- D544,127 S 6/2007 Posey et al.
- D547,466 S 7/2007 Lo
- D549,380 S 8/2007 Guercio
- D566,300 S 4/2008 Lo
- D573,294 S 7/2008 Chan et al.
- D581,583 S 11/2008 Peng
- D582,579 S 12/2008 Tsai et al.

(Continued)

Related U.S. Application Data

- (62) Division of application No. 29/391,321, filed on May 6, 2011, now Pat. No. Des. 664,694.
 - (51) **LOC (9) Cl.** **26-05**
 - (52) **U.S. Cl.** **D26/62**
 - (58) **Field of Classification Search** D26/60-66,
D26/107, 118, 72, 85, 87, 92; 362/269, 270,
362/277, 282, 285, 287, 427, 145, 147, 800,
362/319, 322, 351, 352, 355, 278, 418, 419,
362/432, 449
- See application file for complete search history.

Primary Examiner — Susan M Lee

Assistant Examiner — Linda G. Brooks

(74) *Attorney, Agent, or Firm* — Stewart & Irwin, P.C.;
Dennis S. Schell

(56) **References Cited**

U.S. PATENT DOCUMENTS

- D42,961 S 9/1912 D'Olier, Jr.
- D56,547 S 11/1920 Yates
- D59,056 S 9/1921 Benjamin
- D83,058 S 1/1931 O'Neil
- D90,240 S 7/1933 Ender
- D106,774 S 7/1937 Phillips
- 3,636,339 A 1/1972 Osborne, Jr.
- 3,639,751 A 2/1972 Pichel
- 4,654,768 A 3/1987 Dryman
- 4,761,721 A 8/1988 Willing

(57) **CLAIM**

The ornamental design for a gooseneck LED fixture, as shown and described.

DESCRIPTION

FIG. 1 is a top perspective view of the new design;
 FIG. 2 is a front view of the new design;
 FIG. 3 is a right view of the new design;
 FIG. 4 is a left view of the new design;
 FIG. 5 is a rear view of the new design;
 FIG. 6 is a top view of the new design;
 FIG. 7 is a bottom view of the new design; and,
 FIG. 8 is a bottom perspective view of the new design.
 The broken lines shown in the drawings are for the purpose of illustrating portions of the article that form no part of the claimed design. The lamp arm is shown broken away in FIGS. 1, 3, 4, 6, 7 and 8 to show that no particular length is claimed.

1 Claim, 8 Drawing Sheets



US D672,896 S

Page 2

U.S. PATENT DOCUMENTS

D586,498 S	2/2009	Wu et al.	D601,279 S	9/2009	Ou et al.
D590,077 S	4/2009	Grajcar	D610,723 S	2/2010	Grajcar
D590,977 S	4/2009	Mullen	D616,576 S	5/2010	Wang et al.
D601,276 S	9/2009	Grajcar	D617,014 S	6/2010	Foo
			D627,920 S	11/2010	Hanna et al.
			D632,833 S	2/2011	Lee

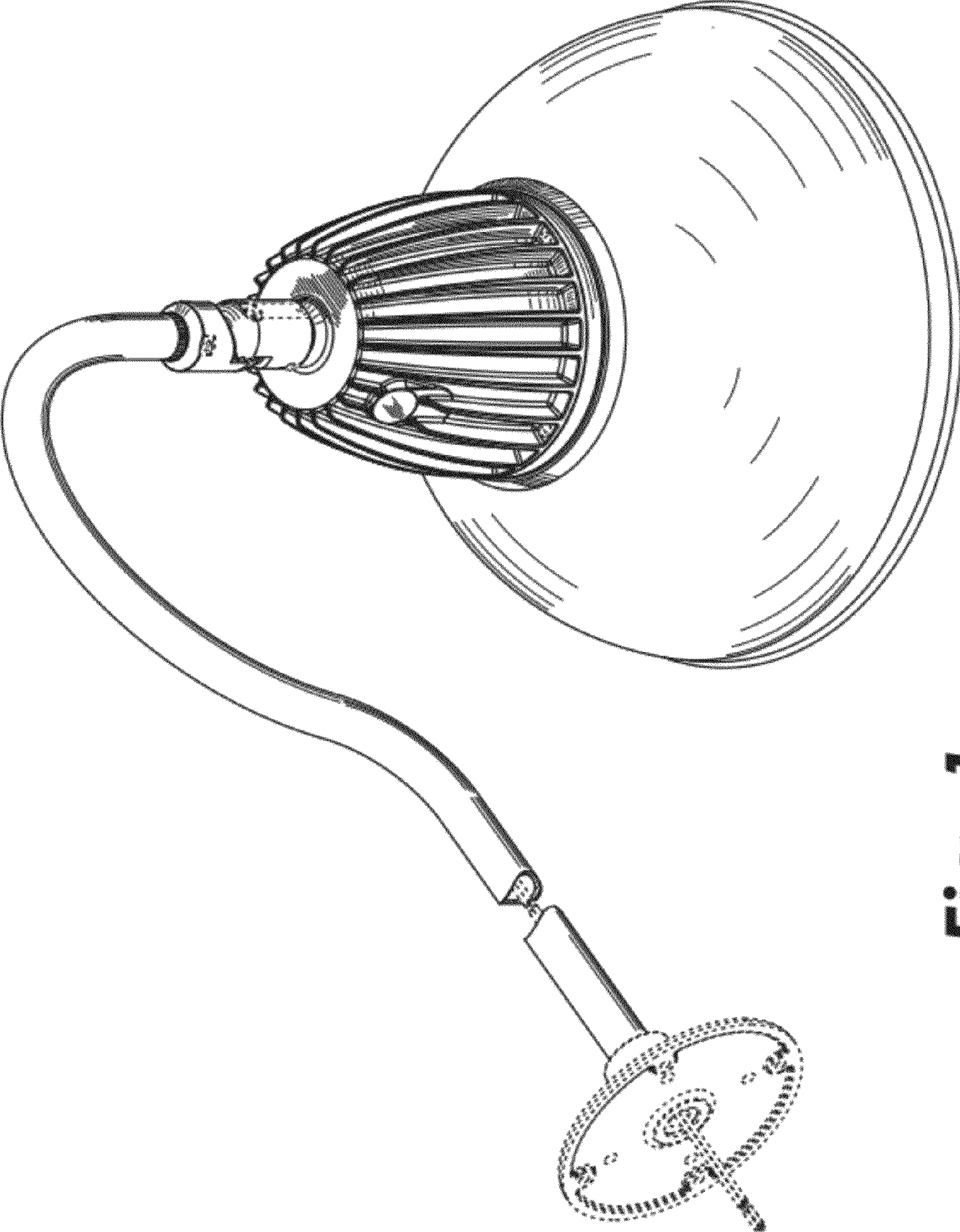


Fig. 1

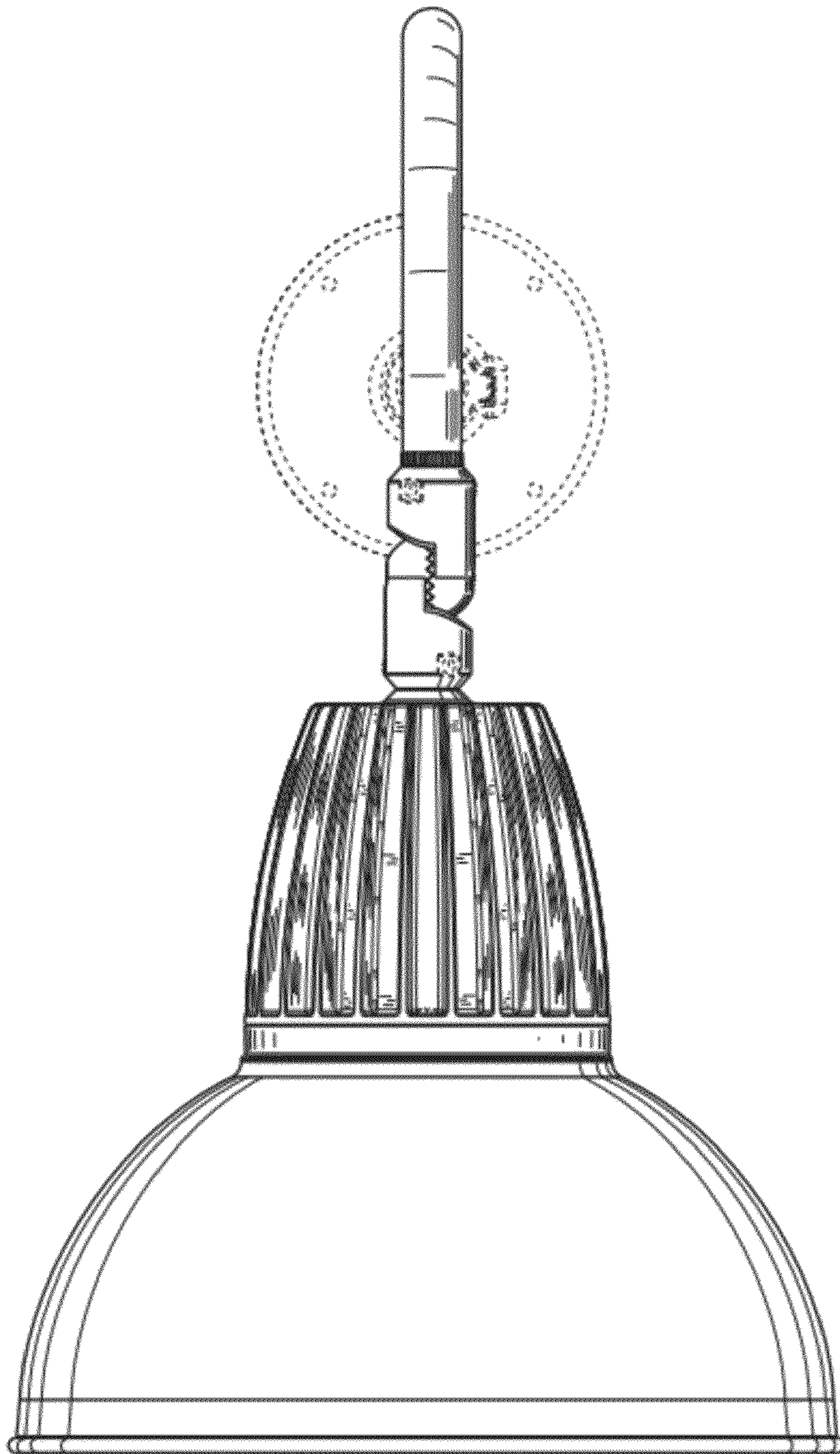


Fig. 2

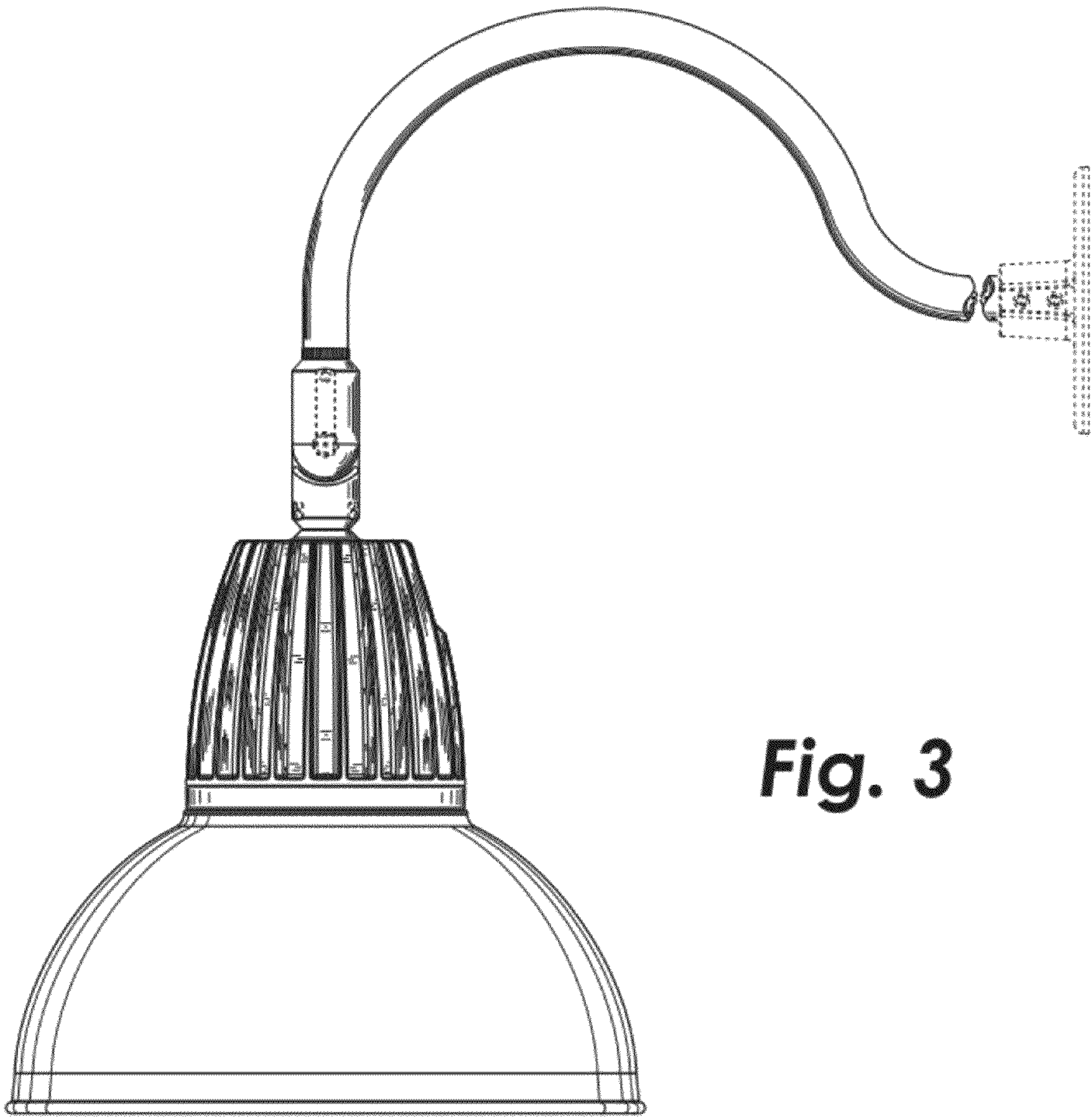


Fig. 3

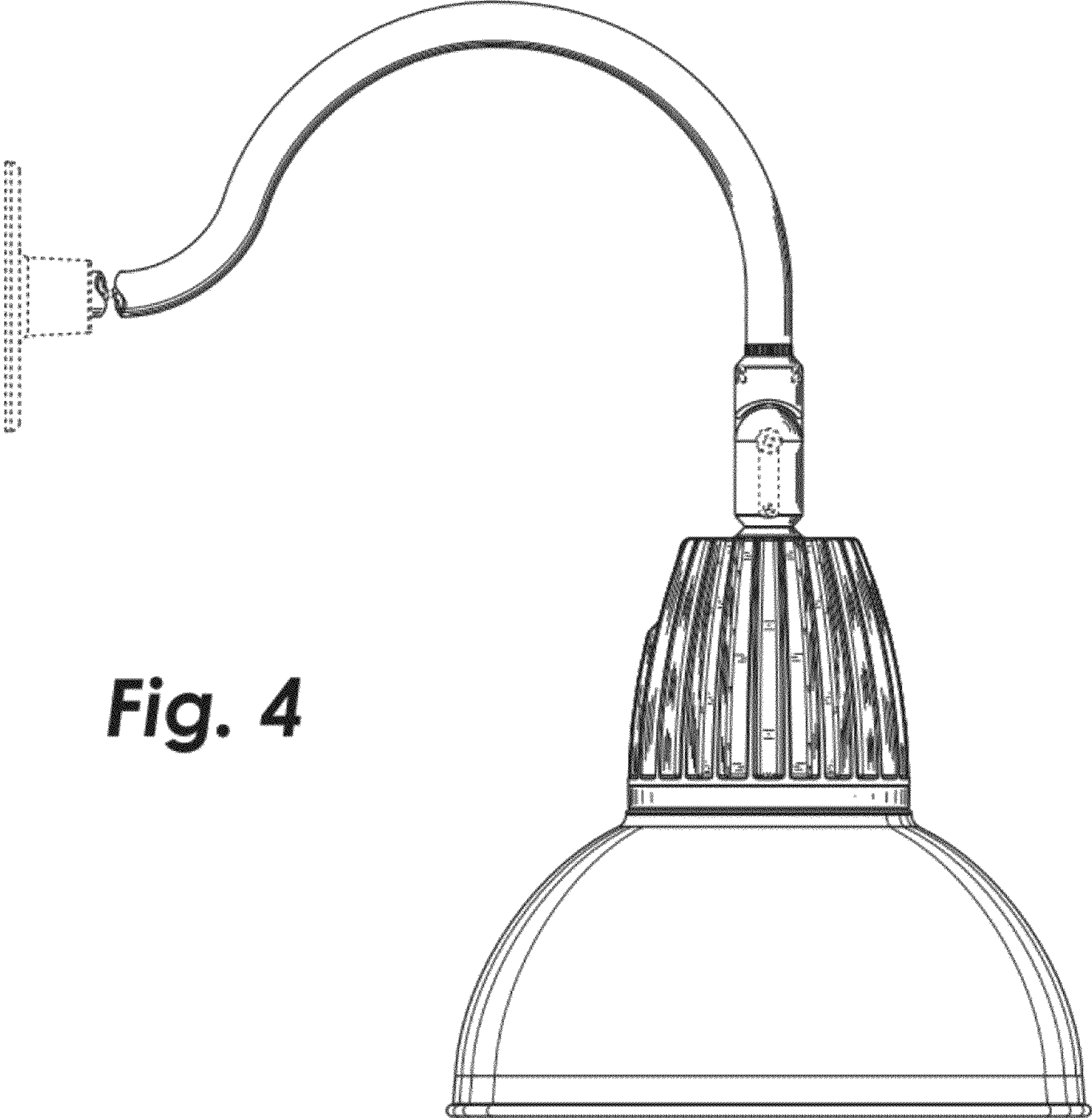


Fig. 4

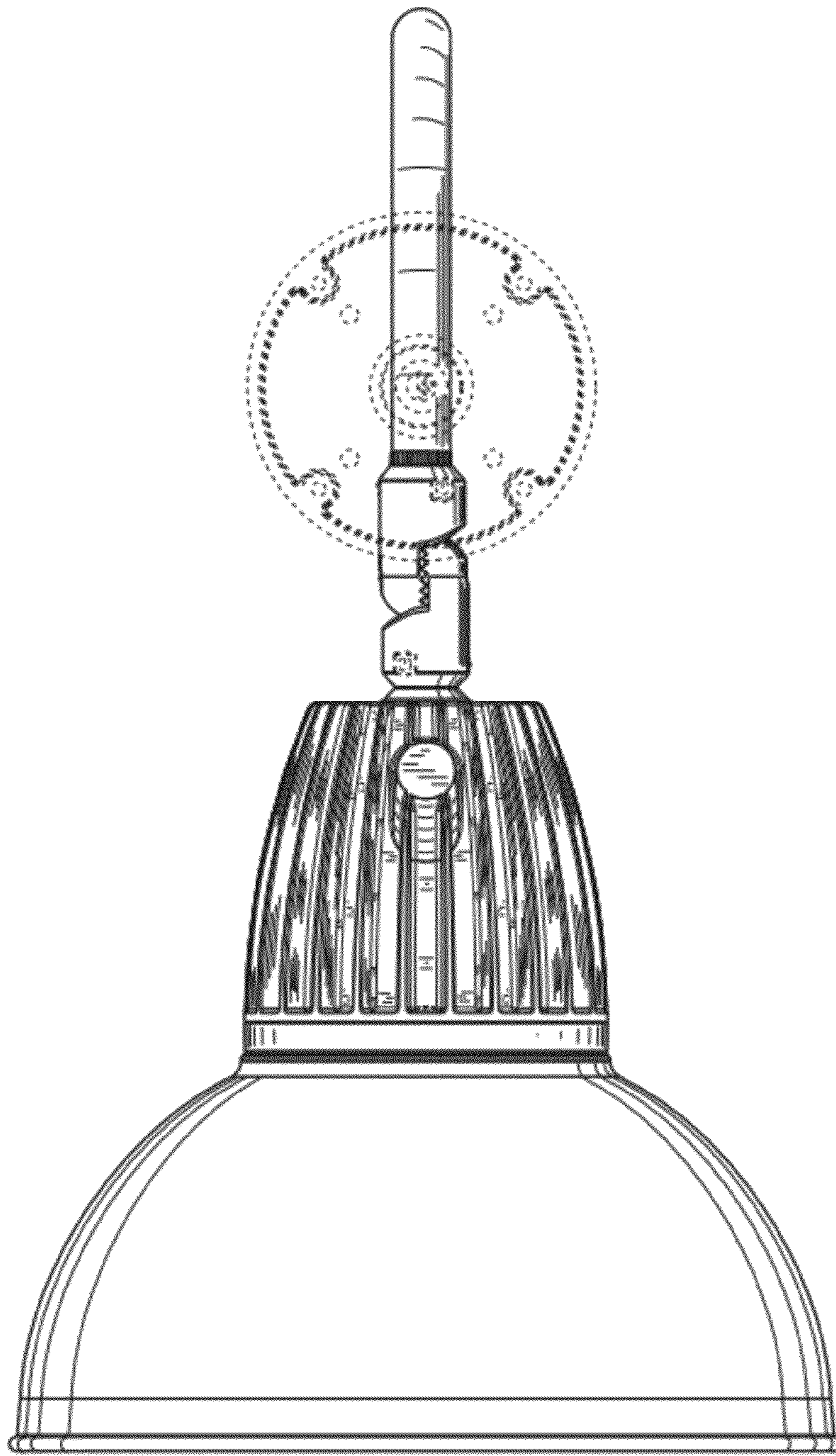


Fig. 5

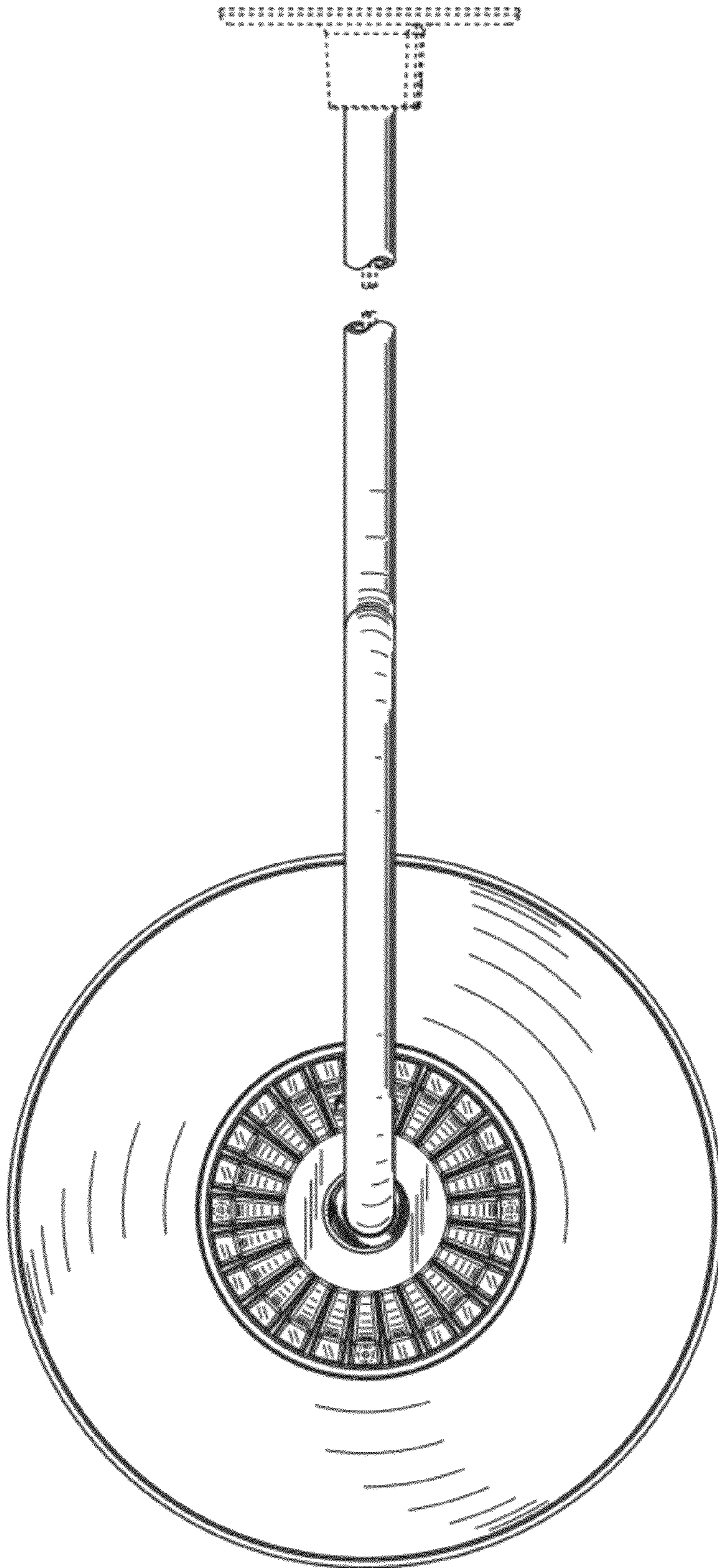


Fig. 6

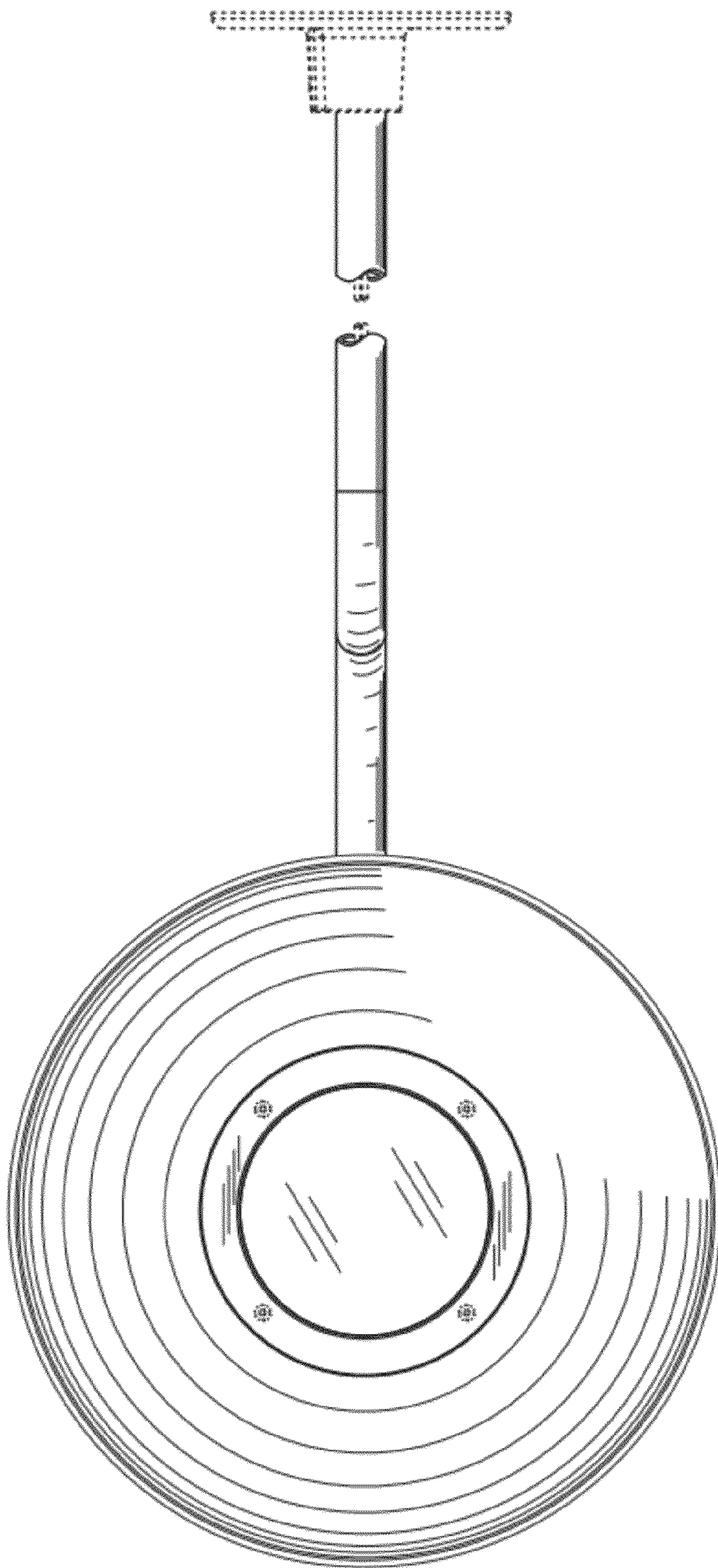


Fig. 7

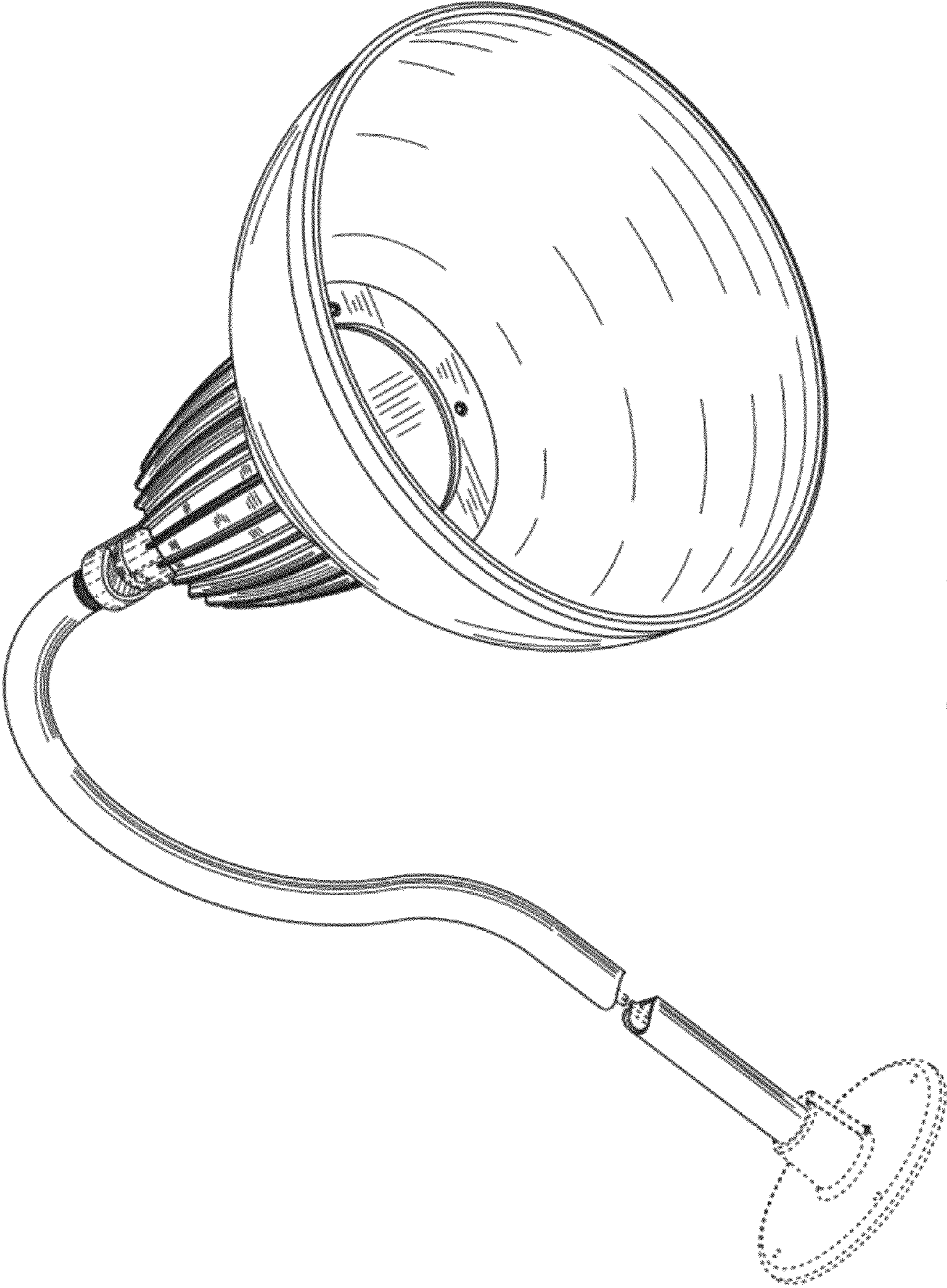


Fig. 8