



US00D672895S

(12) **United States Design Patent**
Guercio et al.

(10) **Patent No.:** **US D672,895 S**
(45) **Date of Patent:** **** Dec. 18, 2012**

(54) **GOOSENECK LED FIXTURE**

DESCRIPTION

- (75) Inventors: **Vincenzo Guercio**, Wallkill, NY (US);
Wengang Gao, Ningbo (CN)
- (73) Assignee: **RAB Lighting Inc.**, Northvale, NJ (US)
- (**) Term: **14 Years**
- (21) Appl. No.: **29/425,566**
- (22) Filed: **Jun. 25, 2012**

Related U.S. Application Data

- (62) Division of application No. 29/391,321, filed on May 6, 2011, now Pat. No. Des. 664,694.
 - (51) **LOC (9) Cl.** **26-05**
 - (52) **U.S. Cl.** **D26/62**
 - (58) **Field of Classification Search** D26/60-66,
D26/107, 118, 72, 85, 87, 92; 362/269, 270,
362/277, 282, 285, 287, 427, 145, 147, 800,
362/319, 322, 351, 352, 355, 278, 418, 419,
362/432, 449
- See application file for complete search history.

References Cited

U.S. PATENT DOCUMENTS

D42,961 S 9/1912 D'Olier, Jr.
(Continued)

Primary Examiner — Susan M Lee
Assistant Examiner — Linda G. Brooks
(74) *Attorney, Agent, or Firm* — Stewart & Irwin, P.C.;
Dennis S. Schell

CLAIM

(57) The ornamental design for a gooseneck LED fixture, as shown and described.

FIG. 1 is a top perspective view of a first embodiment of the new design with a first conical shade as shown; FIG. 2 is a front view of the first embodiment; FIG. 3 is a right view of the first embodiment; FIG. 4 is a left view of the first embodiment; FIG. 5 is a rear view of the first embodiment; FIG. 6 is a top view of the first embodiment; FIG. 7 is a bottom view of the first embodiment; FIG. 8 is a bottom perspective view of a first embodiment; FIG. 9 is a left view of a second embodiment of the new design, comprising the first embodiment of FIGS. 1-8 with the first conical shade replaced with a second conical shade as shown.

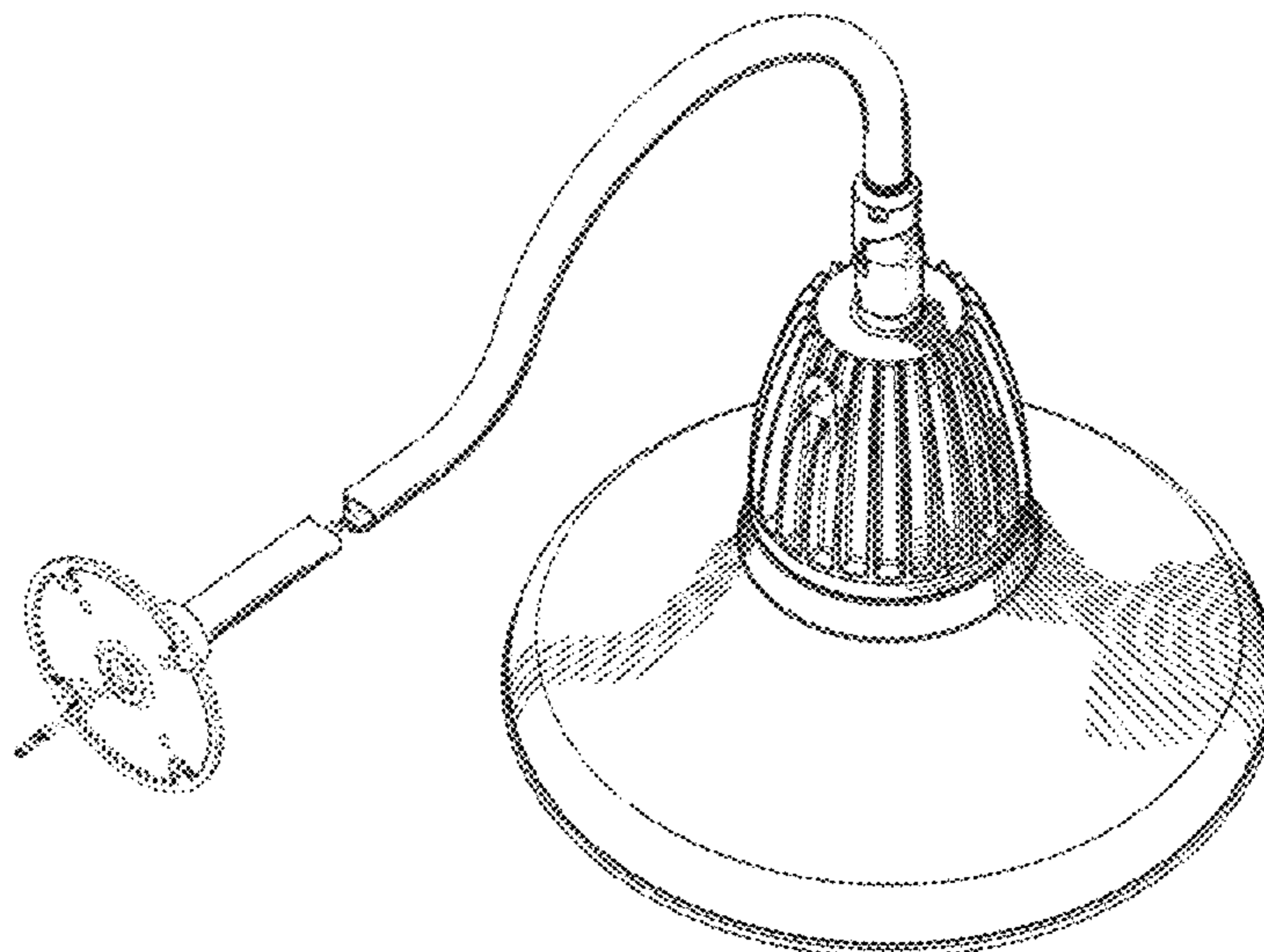
The top and bottom view of the second embodiment are the same as the top and bottom view of the first embodiment shown in FIGS. 6 and 7. For the second conical shade portion of the second embodiment, the front, right, and rear views are the same as the left view of FIG. 9. The second conical shade is the same as the first conical shade except for the length and angle of the cone portion of the shade, as can be understood by comparing FIGS. 4 and 9; and,

FIG. 10 is a left view of a third embodiment of the new design, comprising the first embodiment of FIGS. 1-8 with the first conical shade replaced with a third conical shade.

The top and bottom view of the third embodiment are the same as the top and bottom view of the first embodiment shown in FIGS. 6 and 7. For the third conical shade portion of the second embodiment, the front, right, and rear views are the same as the left view of FIG. 10; The third conical shade is the same as the first conical shade except for the length and angle of the cone portion of the shade, as can be understood by comparing FIGS. 4 and 10.

The broken lines shown in the drawings are for the purpose of illustrating portions of the article that form no part of the claimed design. The lamp arm is shown broken away in FIGS. 1, 3, 4 and 6-10 to show that no particular length is claimed.

1 Claim, 10 Drawing Sheets



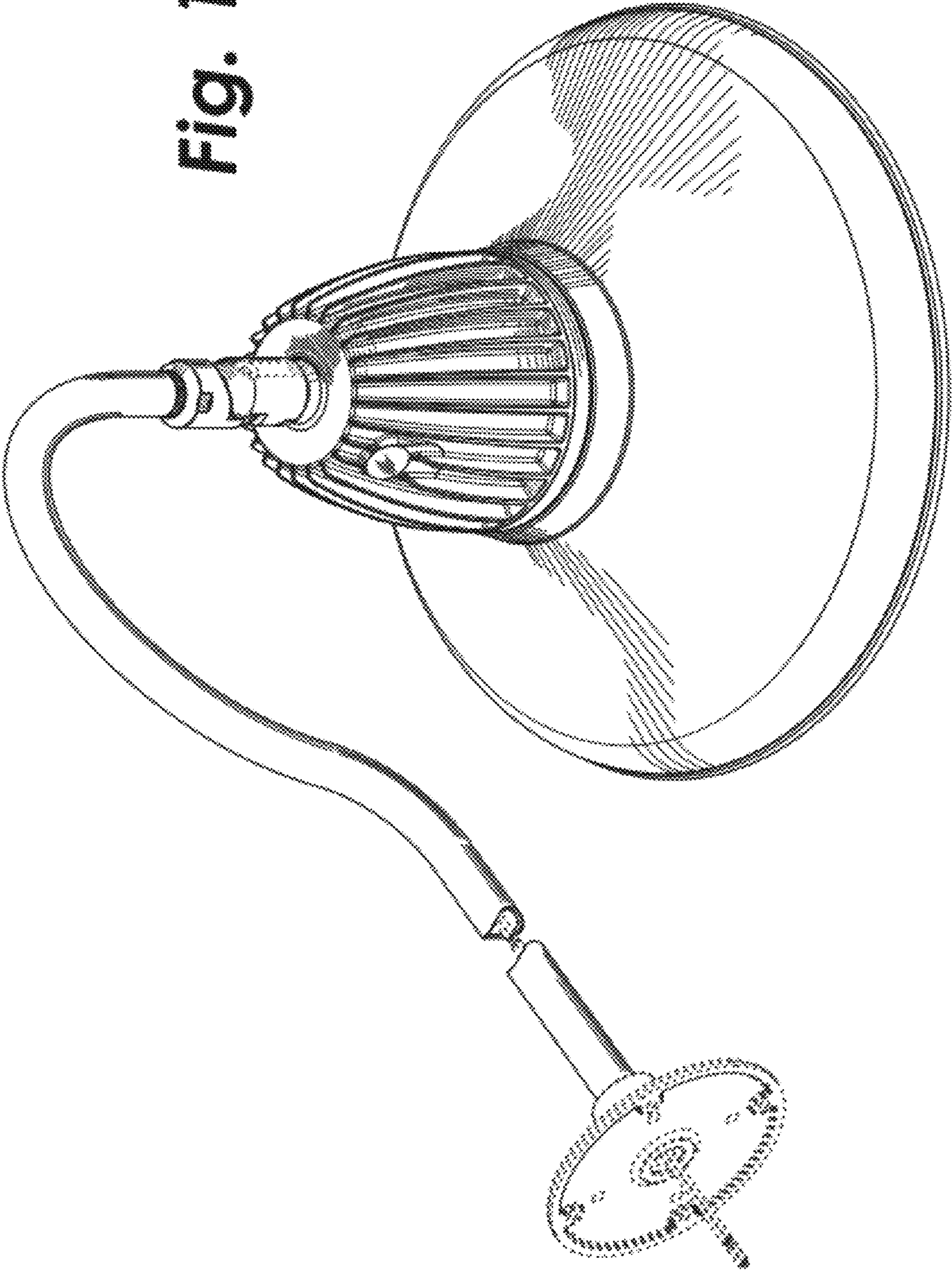
US D672,895 S

Page 2

U.S. PATENT DOCUMENTS

D56,547 S	11/1920	Yates	D547,466 S	7/2007	Lo
D59,056 S	9/1921	Benjamin	D549,380 S	8/2007	Guercio
D83,058 S	1/1931	O'Neil	D566,300 S	4/2008	Lo
D90,240 S	7/1933	Ender	D573,294 S	7/2008	Chan et al.
D106,774 S	7/1937	Phillips	D581,583 S	11/2008	Peng
3,636,339 A	1/1972	Osborne, Jr.	D582,579 S	12/2008	Tsai et al.
3,639,751 A	2/1972	Pichel	D586,498 S	2/2009	Wu et al.
4,654,768 A	3/1987	Dryman	D590,077 S	4/2009	Grajcar
4,761,721 A	8/1988	Willing	D590,977 S	4/2009	Mullen
D332,504 S	1/1993	Ewing et al.	D601,276 S	9/2009	Grajcar
D370,289 S	5/1996	Deron	D601,279 S	9/2009	Ou et al.
6,203,176 B1	3/2001	Gordin	D610,723 S	2/2010	Grajcar
D516,229 S	2/2006	Tang	D616,576 S	5/2010	Wang et al.
D528,673 S	9/2006	Maxik et al.	D617,014 S	6/2010	Foo
D544,127 S	6/2007	Posey	D627,920 S	11/2010	Hanna et al.
			D632,833 S	2/2011	Lee

Fig. 1



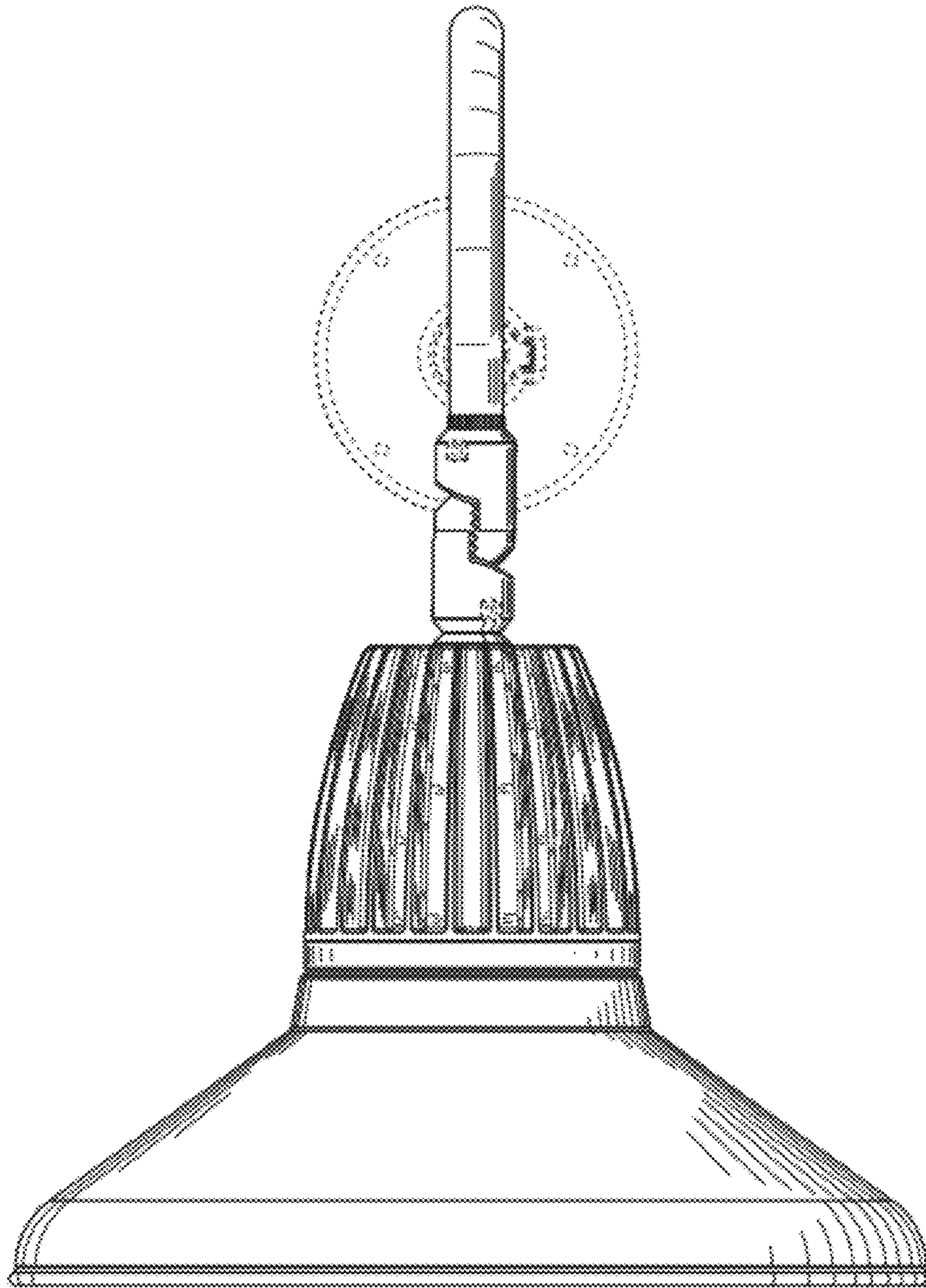


Fig. 2

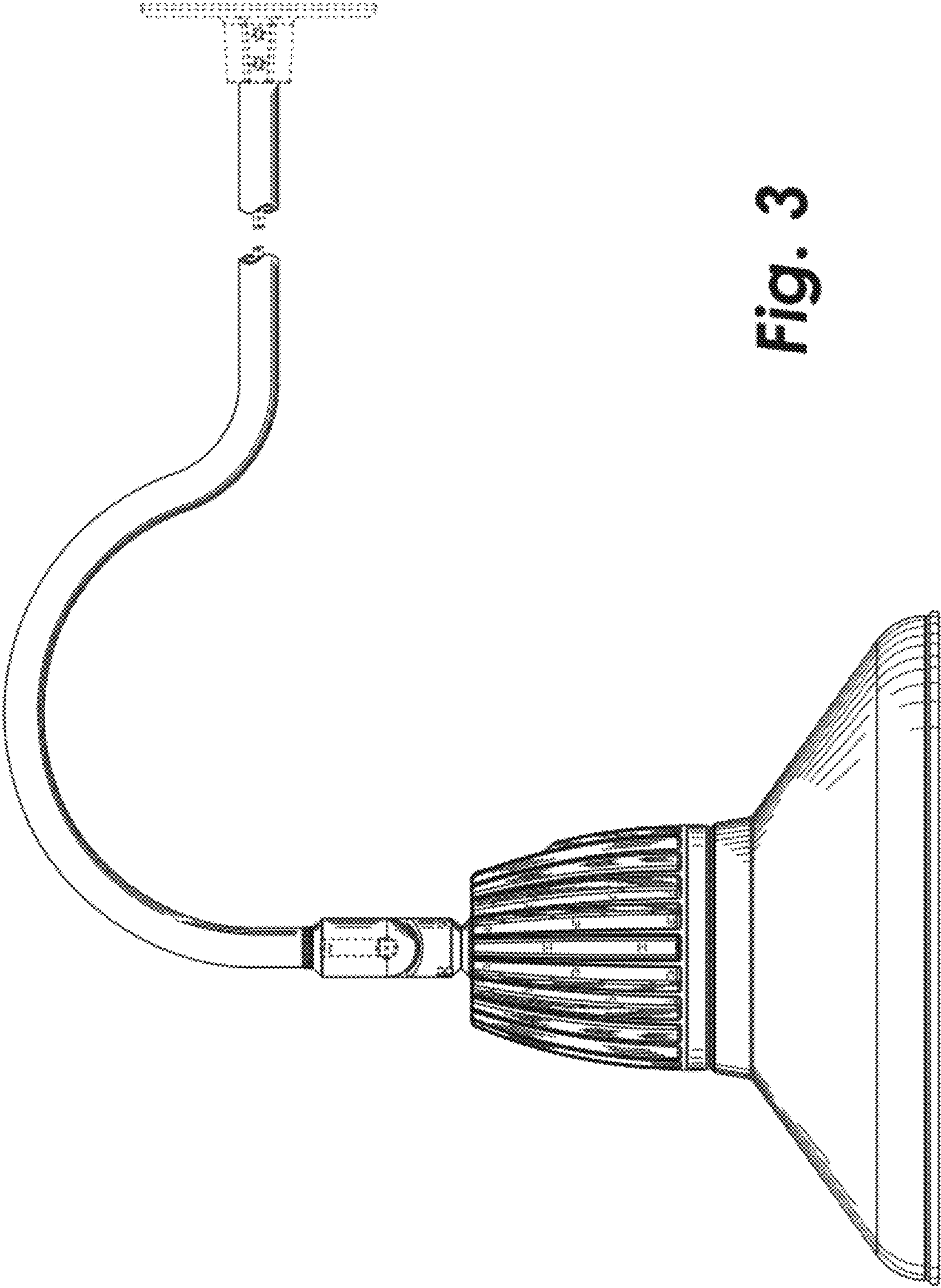


Fig. 3

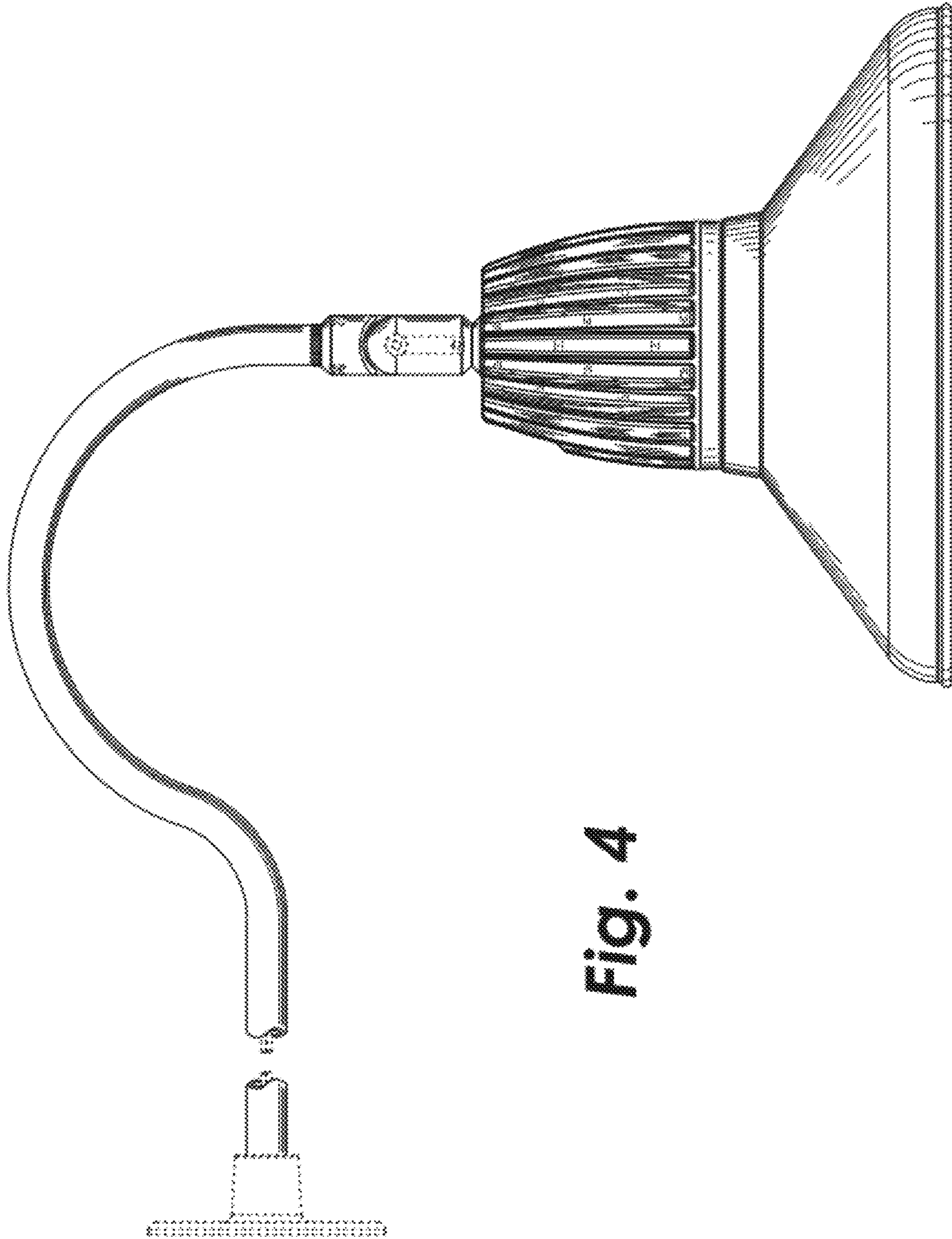


Fig. 4

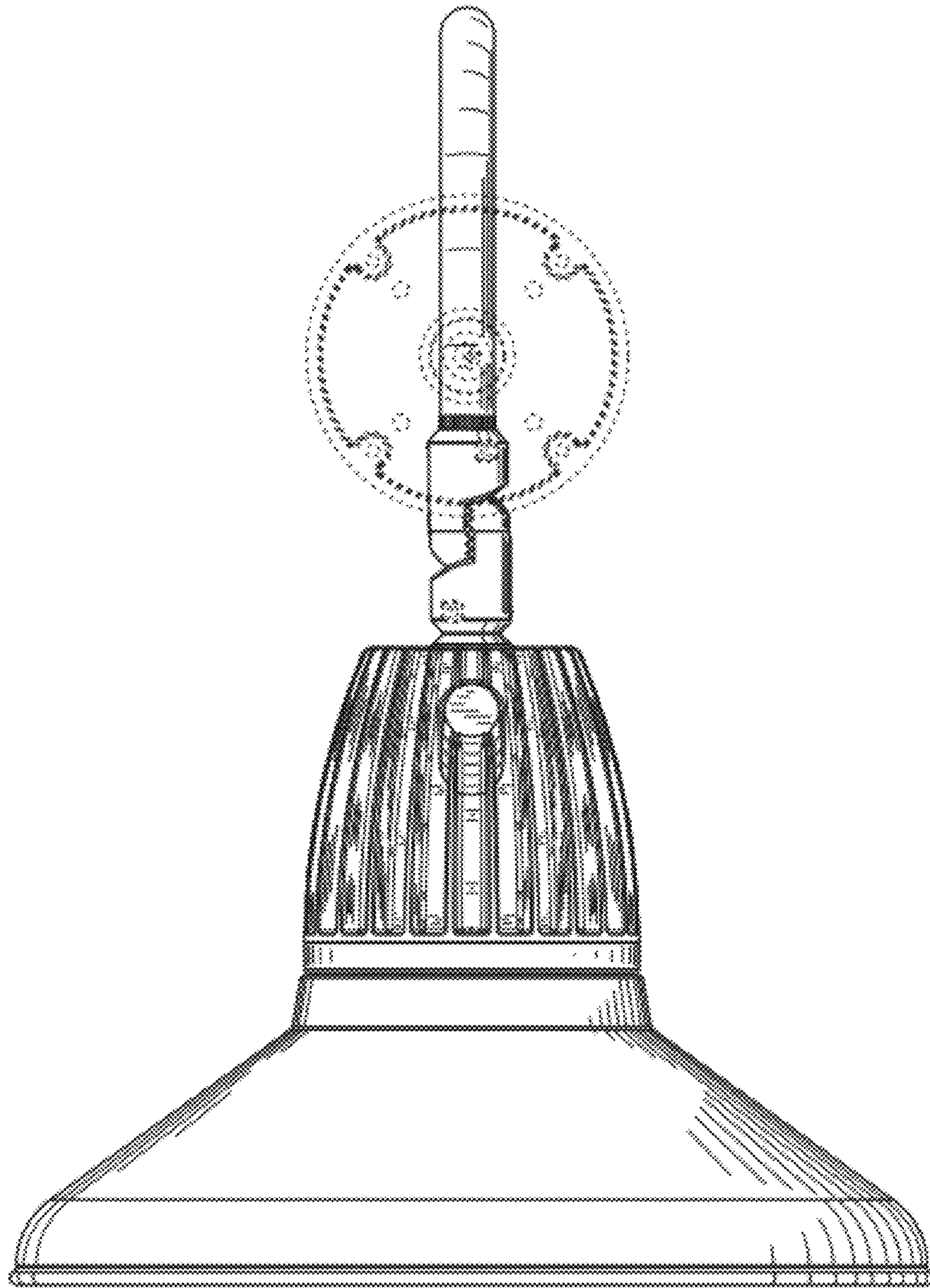


Fig. 5

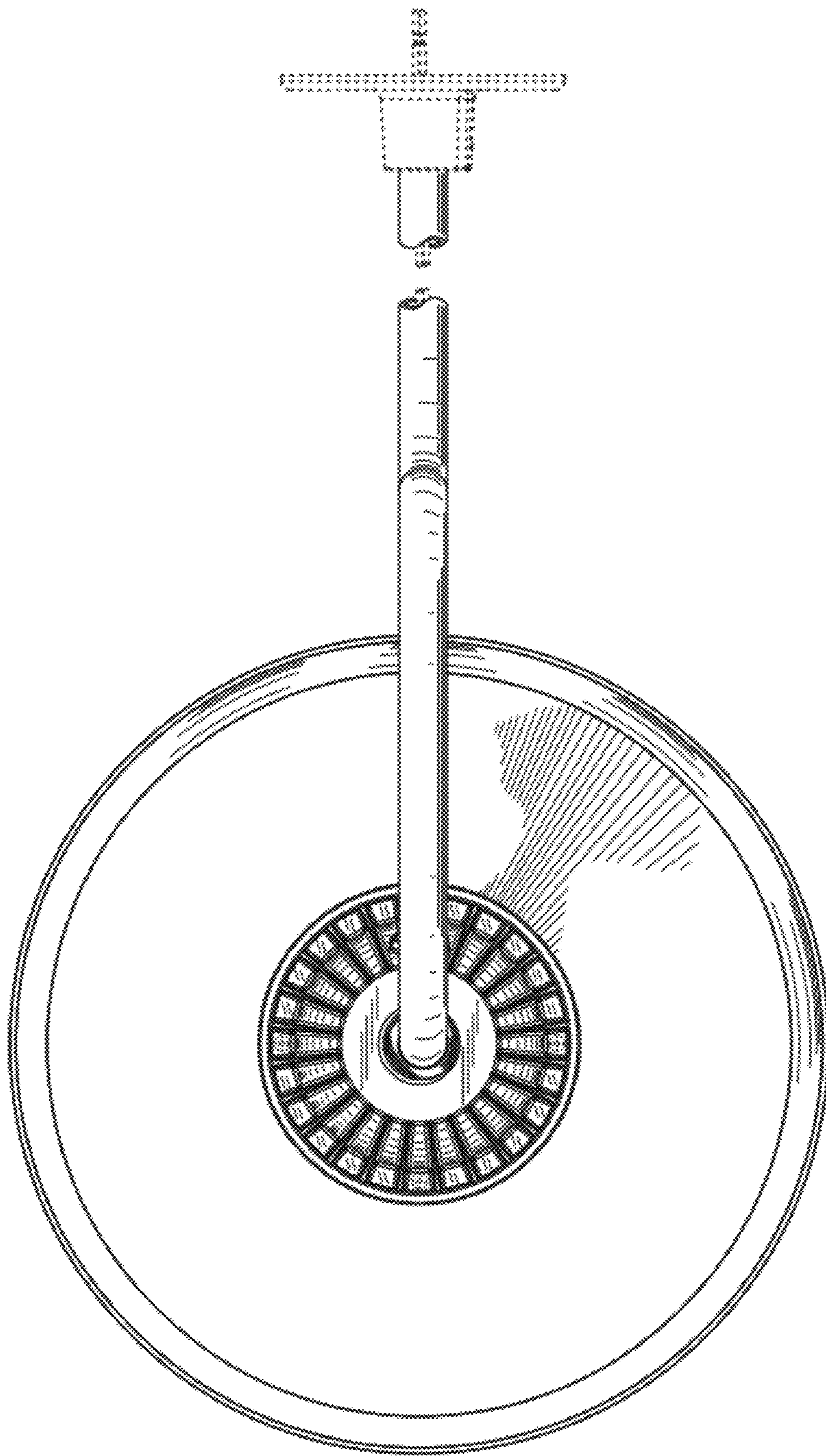


Fig. 6

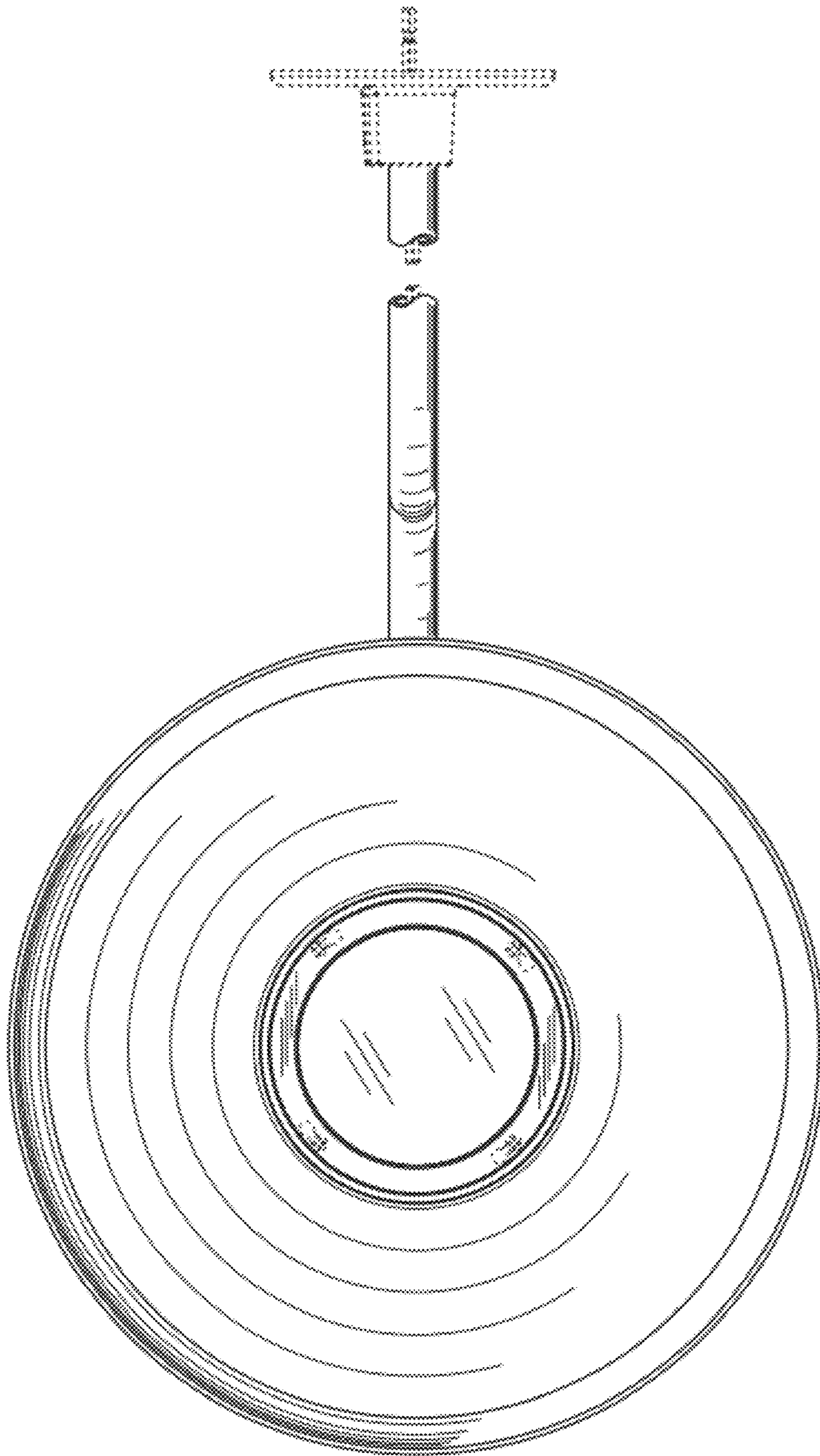


Fig. 7

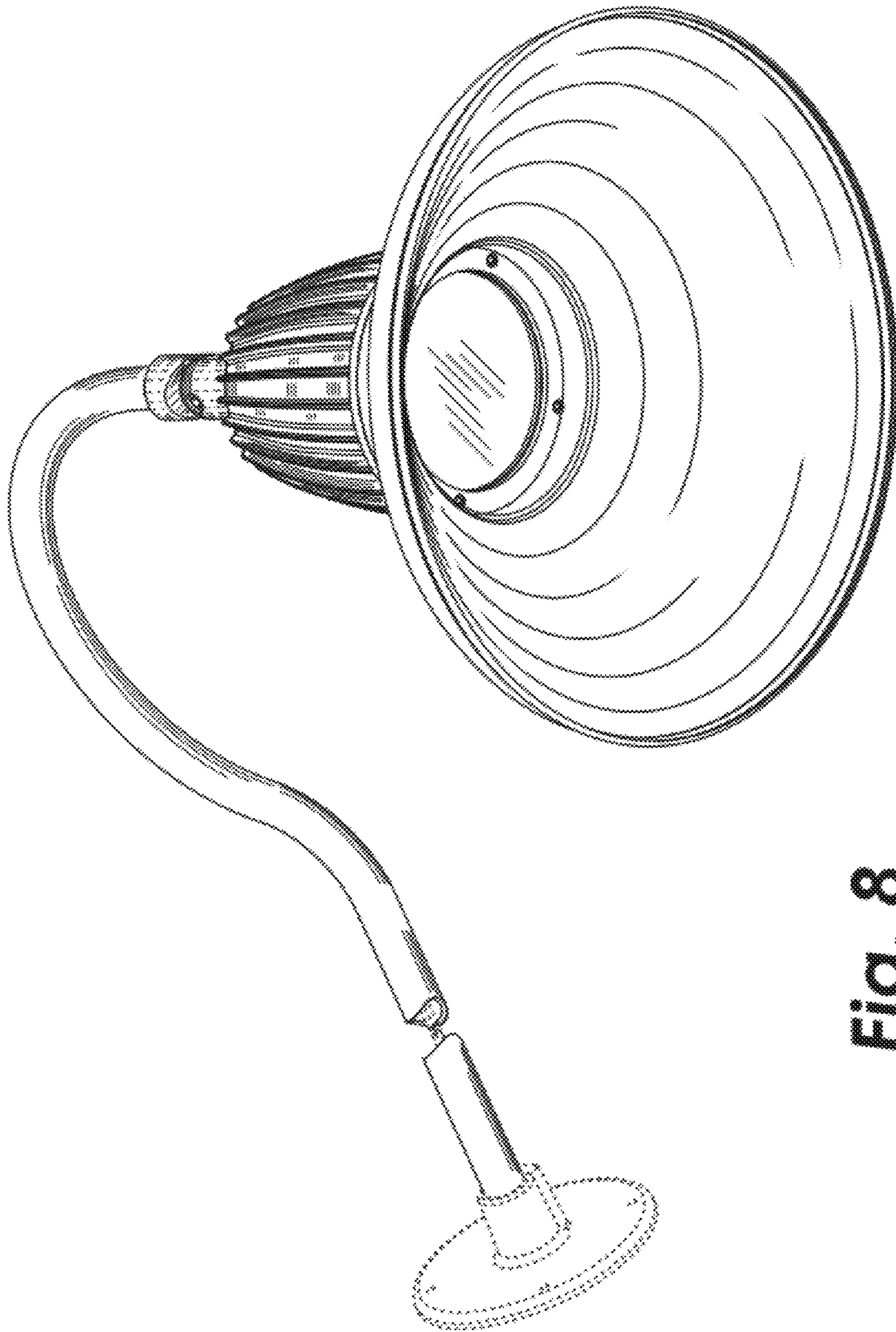


Fig. 8

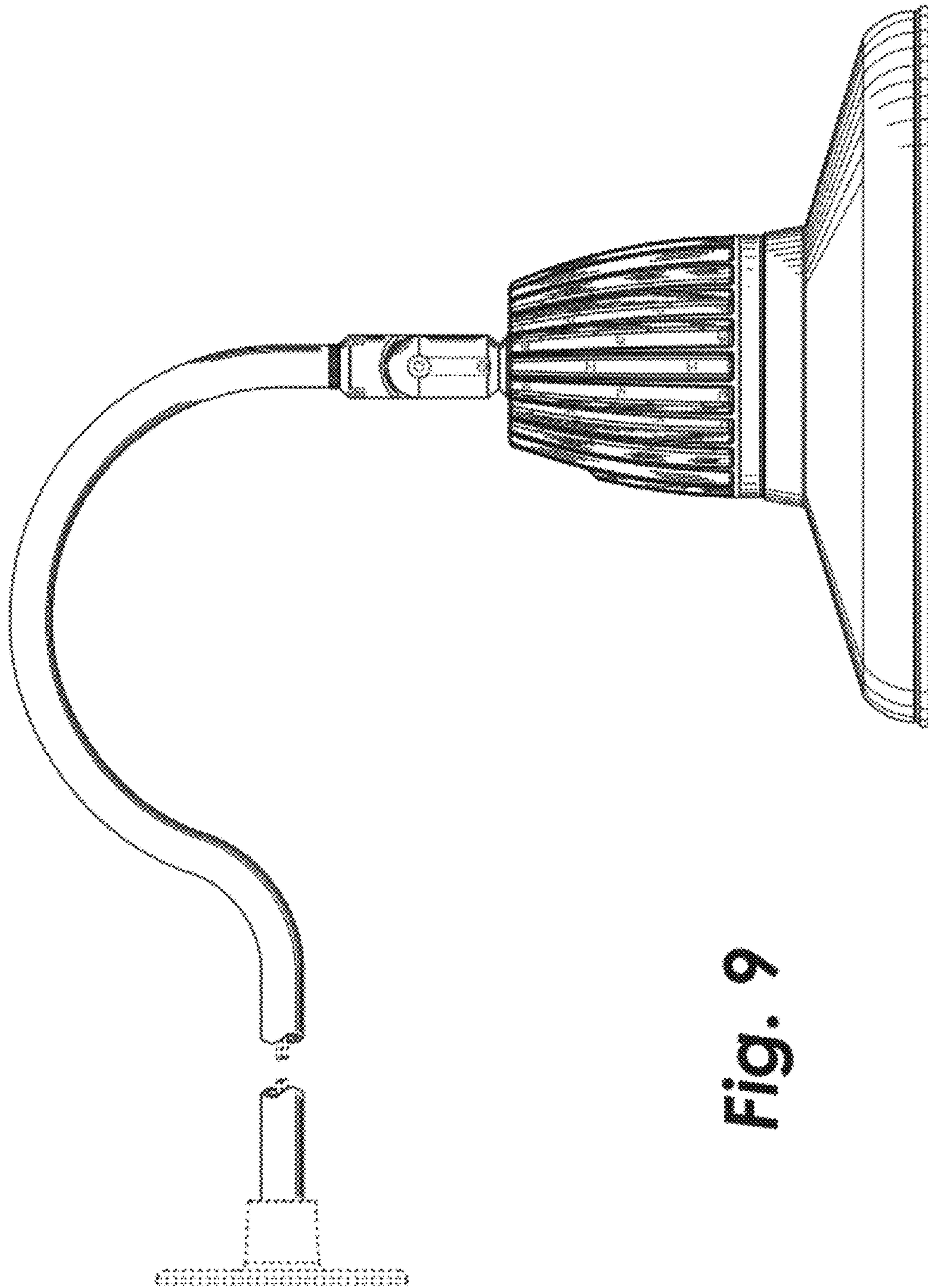


Fig. 9

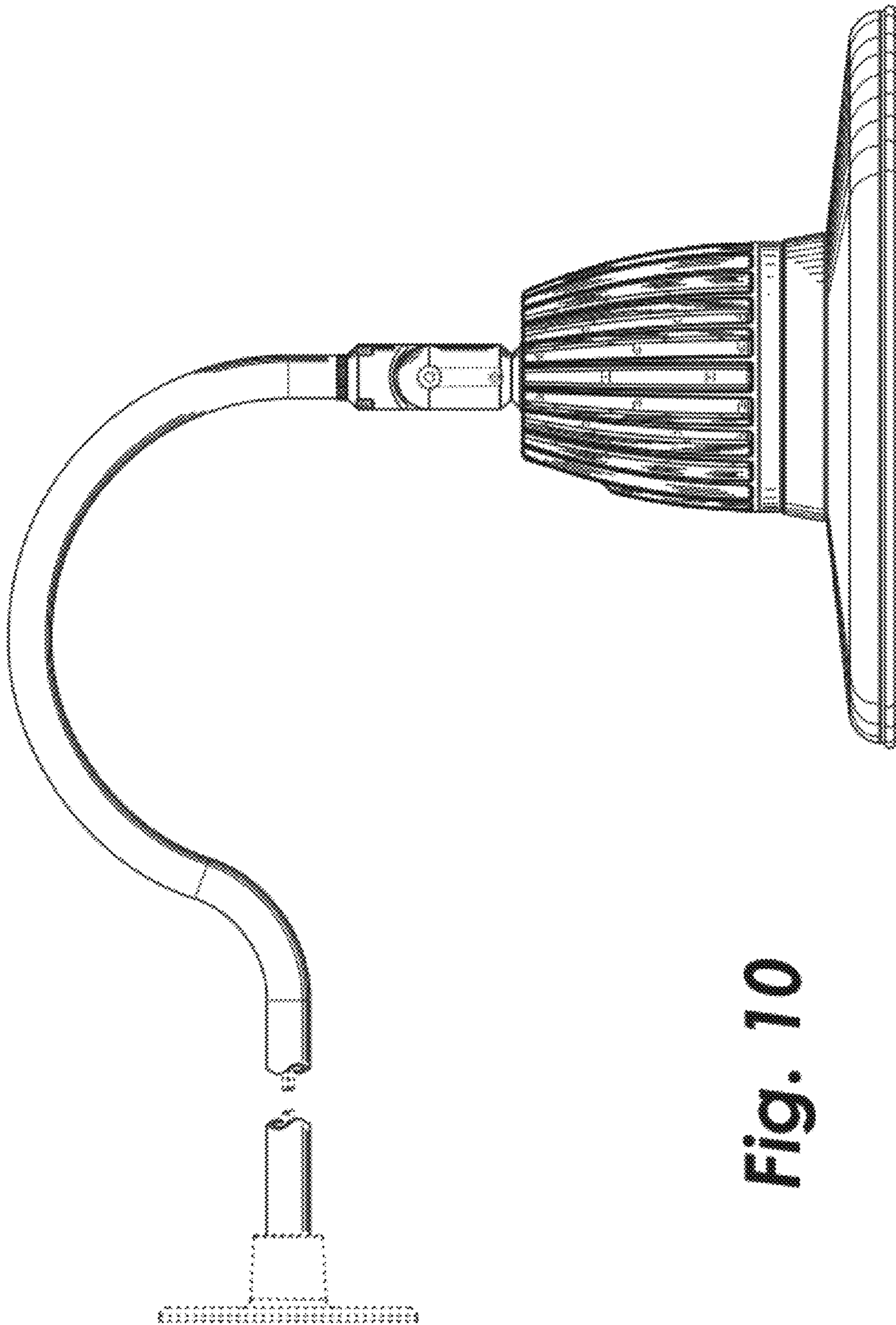


Fig. 10