



US00D672894S

(12) **United States Design Patent**
Bayat et al.

(10) **Patent No.:** **US D672,894 S**

(45) **Date of Patent:** **** Dec. 18, 2012**

(54) **DUAL FUNCTION RECHARGEABLE WORK LIGHT**

(75) Inventors: **Bijan Bayat**, Plano, TX (US); **Gordon L. Treichler**, Wylie, TX (US)

(73) Assignee: **Bayco Products, Inc.**, Wylie, TX (US)

(**) Term: **14 Years**

(21) Appl. No.: **29/378,022**

(22) Filed: **Oct. 28, 2010**

(51) **LOC (9) Cl.** **26-02**

(52) **U.S. Cl.** **D26/42**

(58) **Field of Classification Search** D26/37,
D26/38, 40-42, 46; 362/157, 158, 171-174,
362/184, 186, 194-196, 200-208

See application file for complete search history.

(56) **References Cited**

U.S. PATENT DOCUMENTS

3,383,675	A	5/1968	Allardice et al.	
D473,332	S *	4/2003	Lam	D26/49
D505,217	S *	5/2005	Bayat et al.	D26/42
D521,168	S *	5/2006	Waters	D26/42
D530,843	S *	10/2006	Yamamoto	D26/42
D538,456	S *	3/2007	Trigiani et al.	D26/42
D548,382	S *	8/2007	Akerberg	D26/42
D567,977	S *	4/2008	Jianwei	D26/42
D567,978	S *	4/2008	Jianwei	D26/42
D574,741	S *	8/2008	Gadsden	D10/114.9
D598,150	S *	8/2009	Bertken	D26/38
D606,218	S *	12/2009	Jiang	D26/42
7,703,966	B2 *	4/2010	Waters	362/577
D620,627	S *	7/2010	Kovacik et al.	D26/42
D622,438	S *	8/2010	Sasada et al.	D26/113

(Continued)

OTHER PUBLICATIONS

Bayco, Profession Task Lighting for Industry, catalog, 08/04, front cover/title page, p. 4 (Cordless LED Worklights, back cover page.

Primary Examiner — Stella Reid

Assistant Examiner — Carissa C Fitts

(74) *Attorney, Agent, or Firm* — Whitaker Chalk Swindle & Schwartz PLLC; Stephen S. Mosher

(57) **CLAIM**

The ornamental design for a dual function rechargeable work light, as shown and described.

DESCRIPTION

FIG. 1 is a perspective view of a top side of the dual function rechargeable work light;

FIG. 2 is a perspective view of a bottom side of the embodiment of FIG. 1;

FIG. 3 is a first end view of the dual function rechargeable work light;

FIG. 4 is a first side view of the dual function rechargeable work light;

FIG. 5 is a second side view of the dual function rechargeable work light;

FIG. 6 is a top side view of the dual function rechargeable work light;

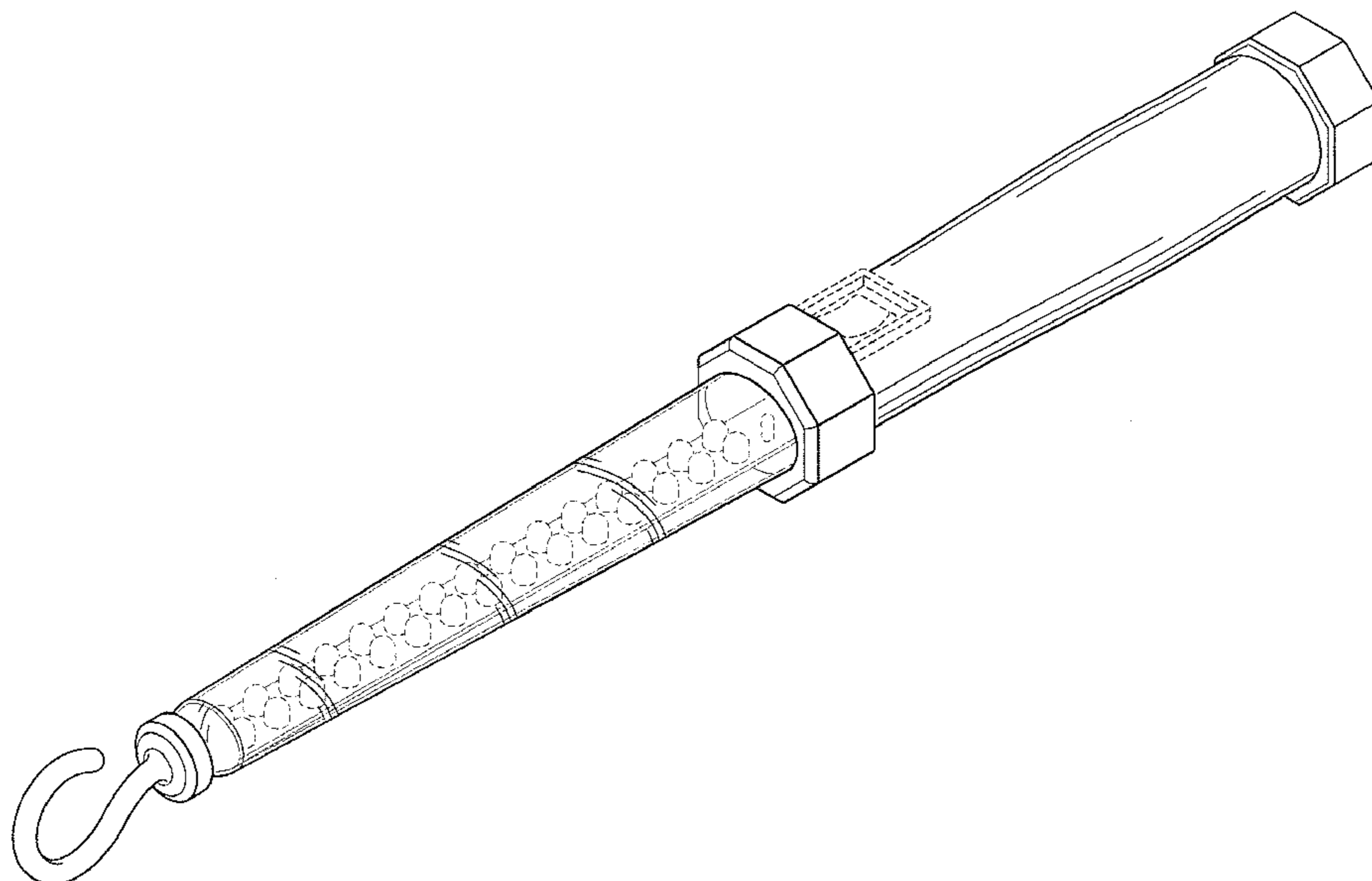
FIG. 7 is a bottom side view of the dual function rechargeable work light;

FIG. 8 is a second end view of the dual function rechargeable work light; and,

FIG. 9 is a perspective view of a top side of an alternate embodiment of the embodiment of FIG. 1, the only difference being the gap in the elongated illuminating portion of the dual function rechargeable work light, it being understood that all other surfaces are the same as those of the embodiment of FIG. 1.

The broken line showing is for environmental purposes only and forms no part of the claimed design.

1 Claim, 5 Drawing Sheets



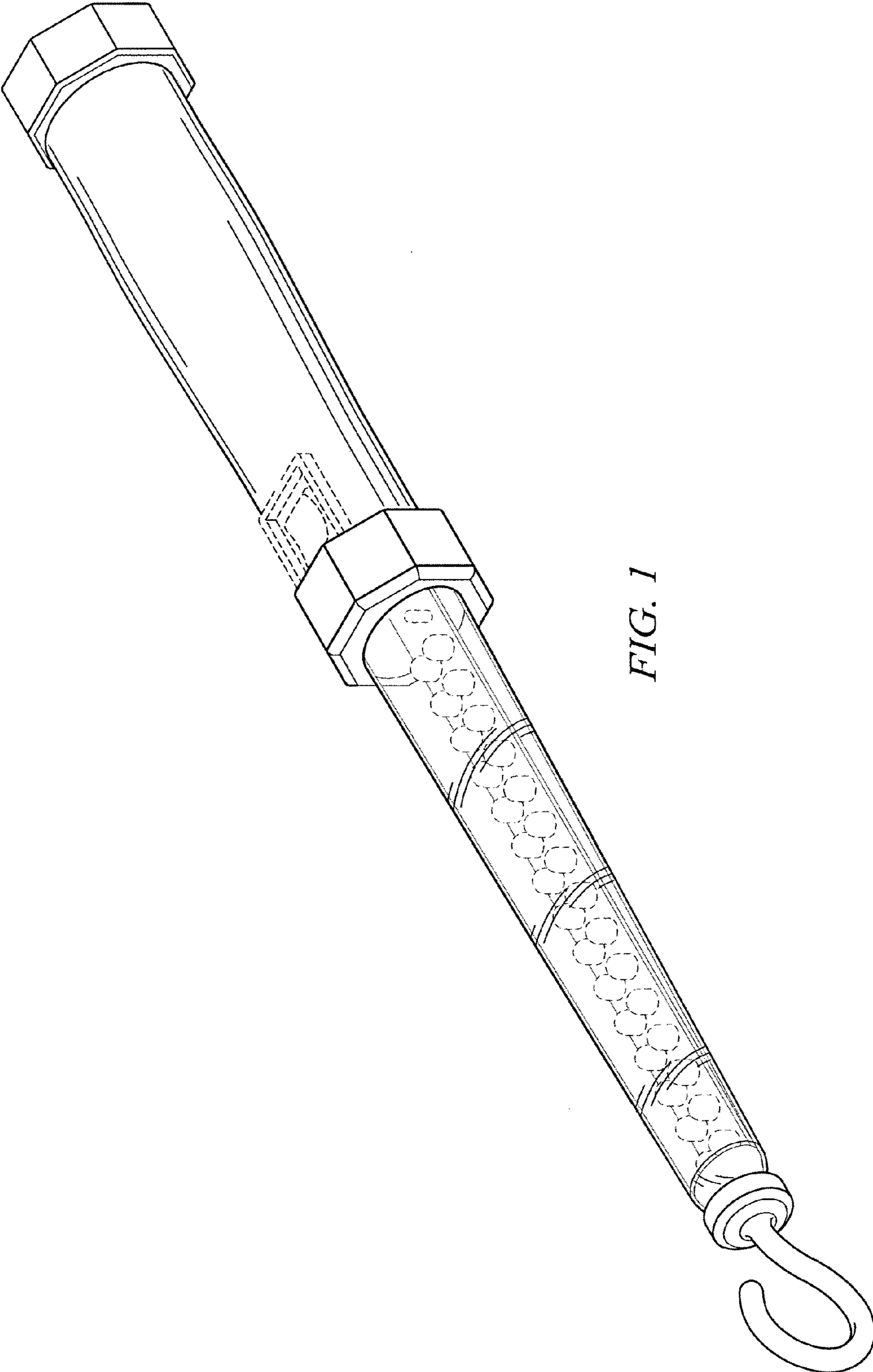


FIG. 1

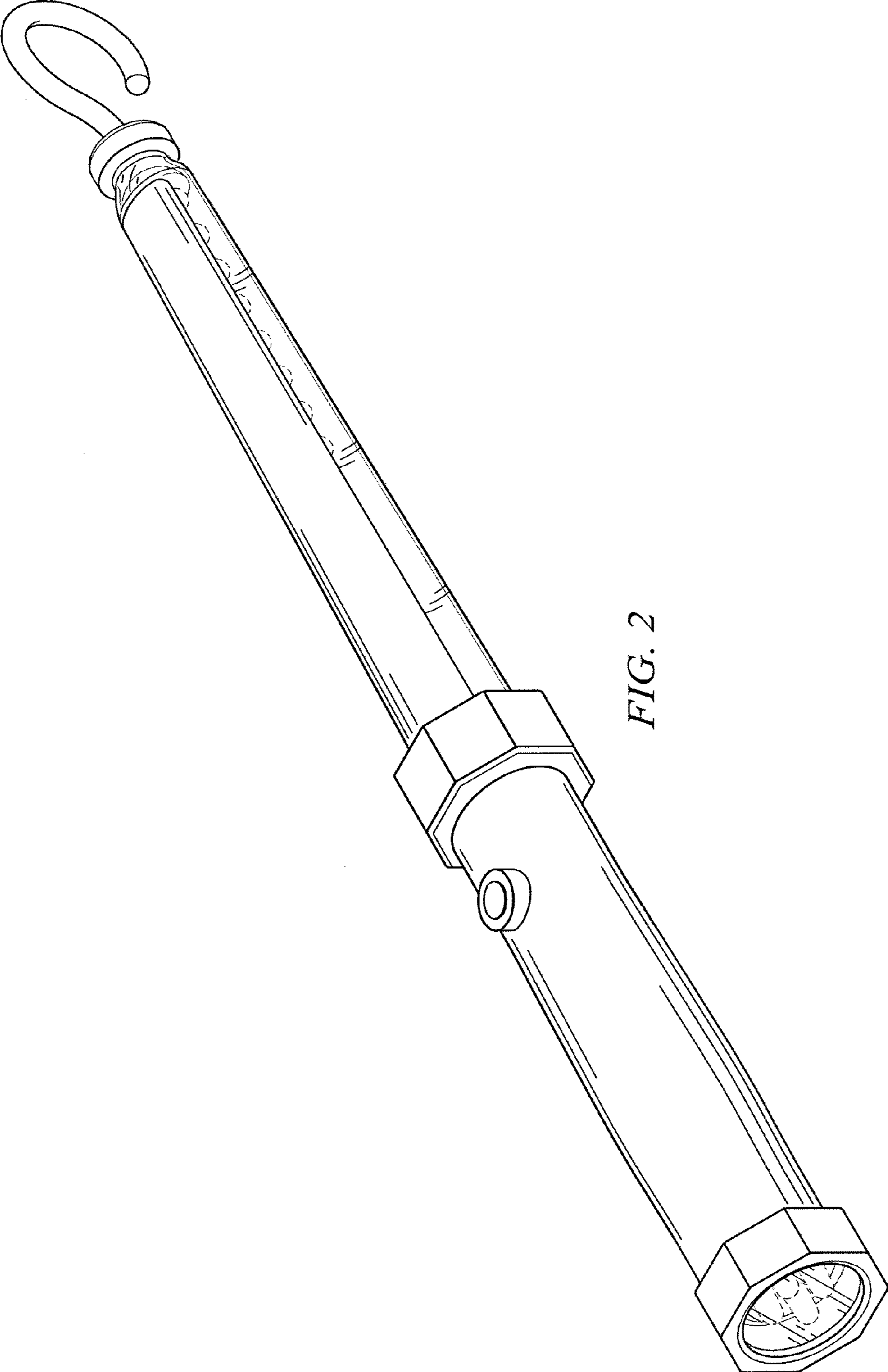


FIG. 2

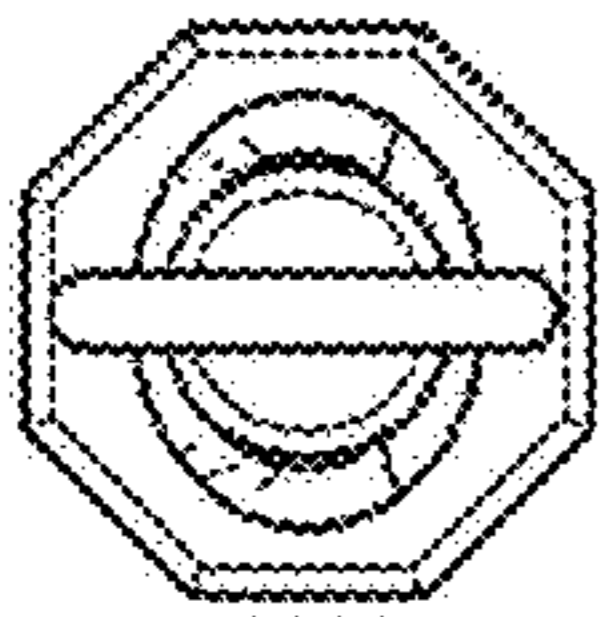


FIG. 3

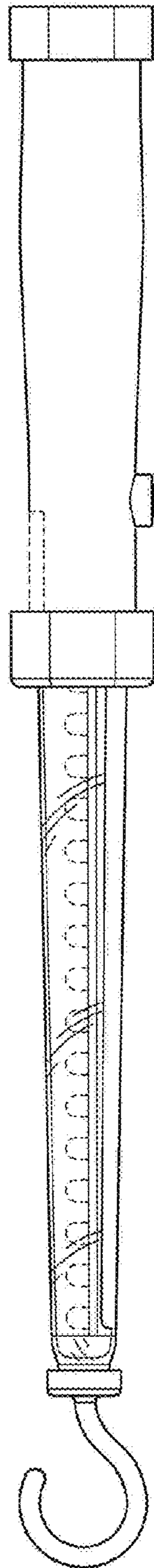


FIG. 4

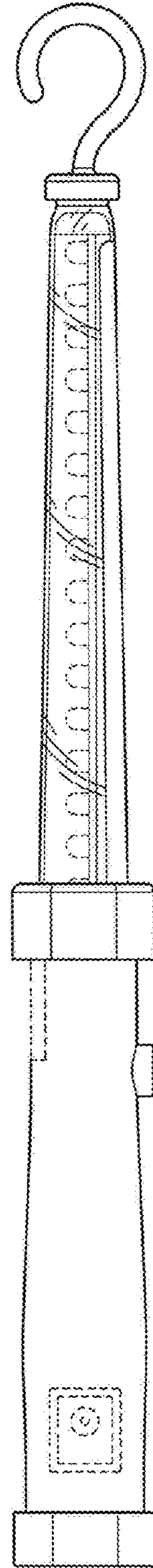


FIG. 5

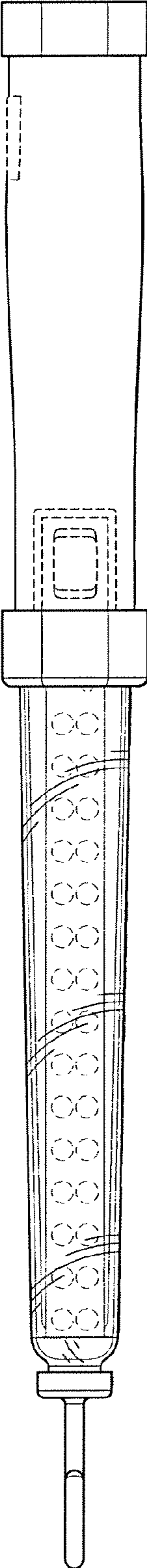


FIG. 6

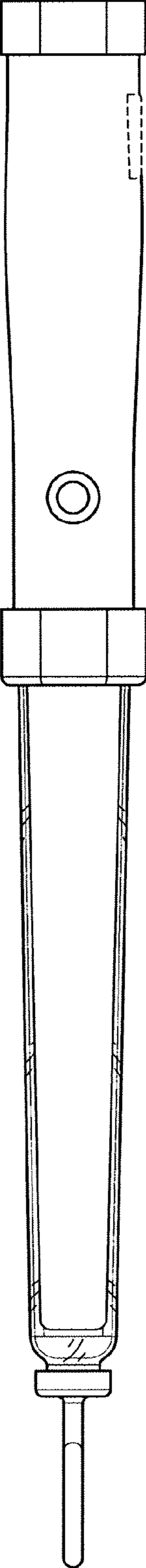


FIG. 7



FIG. 8

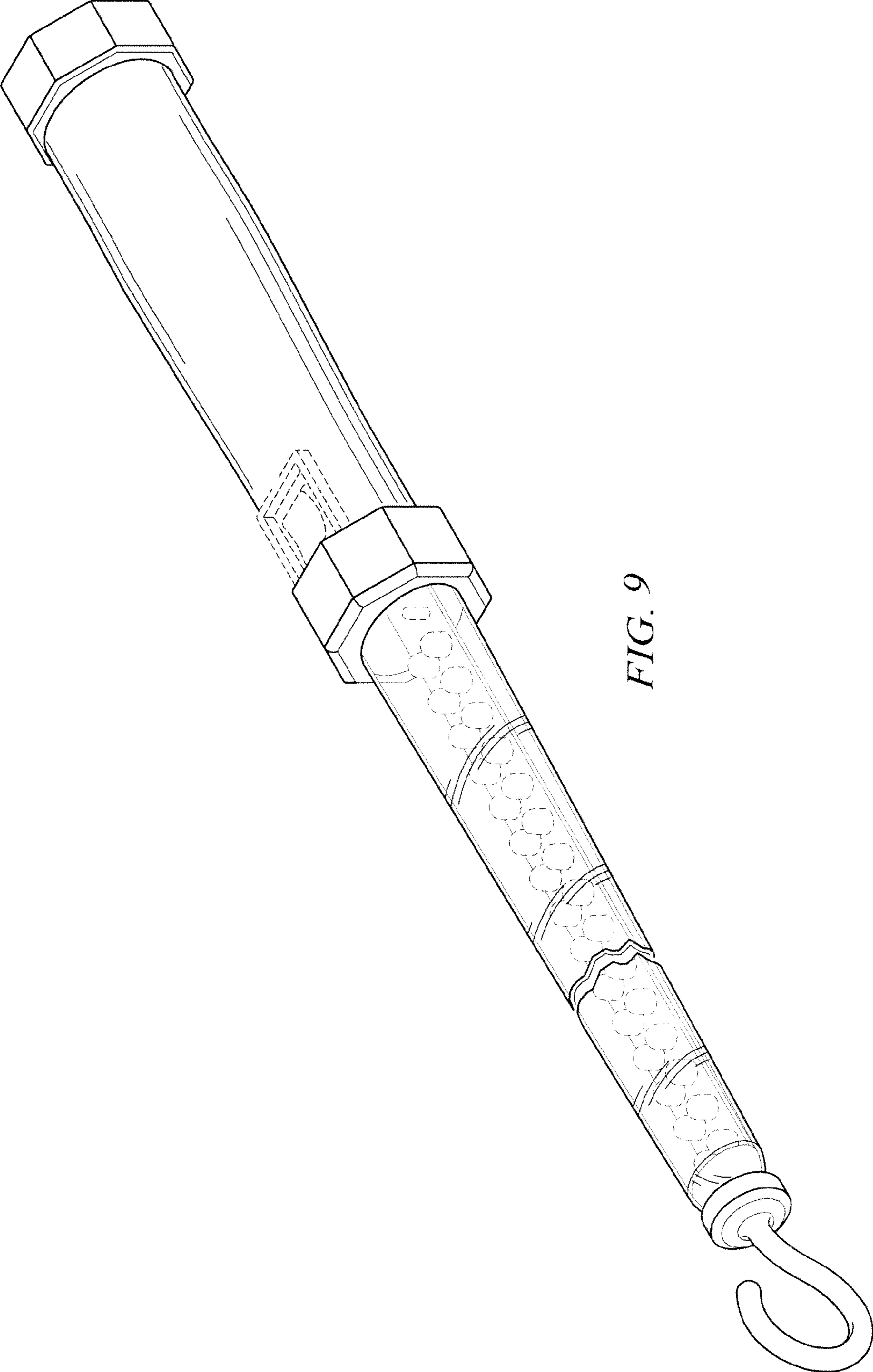


FIG. 9