



US00D672893S

(12) **United States Design Patent**  
**Inskeep**

(10) **Patent No.:** **US D672,893 S**

(45) **Date of Patent:** **\*\* Dec. 18, 2012**

(54) **HEADLAMP**

(76) Inventor: **Mathew Inskeep**, Boca Raton, FL (US)

(\*\*) Term: **14 Years**

(21) Appl. No.: **29/411,334**

(22) Filed: **Jan. 19, 2012**

(51) **LOC (9) Cl.** ..... **26-02**

(52) **U.S. Cl.** ..... **D26/39**

(58) **Field of Classification Search** ..... D26/39,  
D26/37, 38, 49, 46; 362/103-108, 157, 158,  
362/184, 194-208

See application file for complete search history.

(56) **References Cited**

**U.S. PATENT DOCUMENTS**

D503,817 S *	4/2005	Shiu	.....	D26/39
6,955,444 B2 *	10/2005	Gupta	.....	362/105
D520,162 S *	5/2006	Shiu	.....	D26/39
D552,278 S *	10/2007	Spartano et al.	.....	D26/39
D554,782 S *	11/2007	Shiu	.....	D26/39

D573,736 S *	7/2008	Poon	.....	D26/39
D581,567 S *	11/2008	Crawford et al.	.....	D26/38
D592,781 S *	5/2009	Petzl	.....	D26/39

\* cited by examiner

*Primary Examiner* — Ian Simmons

*Assistant Examiner* — Carissa C Fitts

(57) **CLAIM**

I claim the ornamental design for a headlamp, as shown and described.

**DESCRIPTION**

FIG. 1 is a top perspective view of the spotlight showing my new design.

FIG. 2 is a bottom perspective view.

FIG. 3 is a top view.

FIG. 4 is a bottom view.

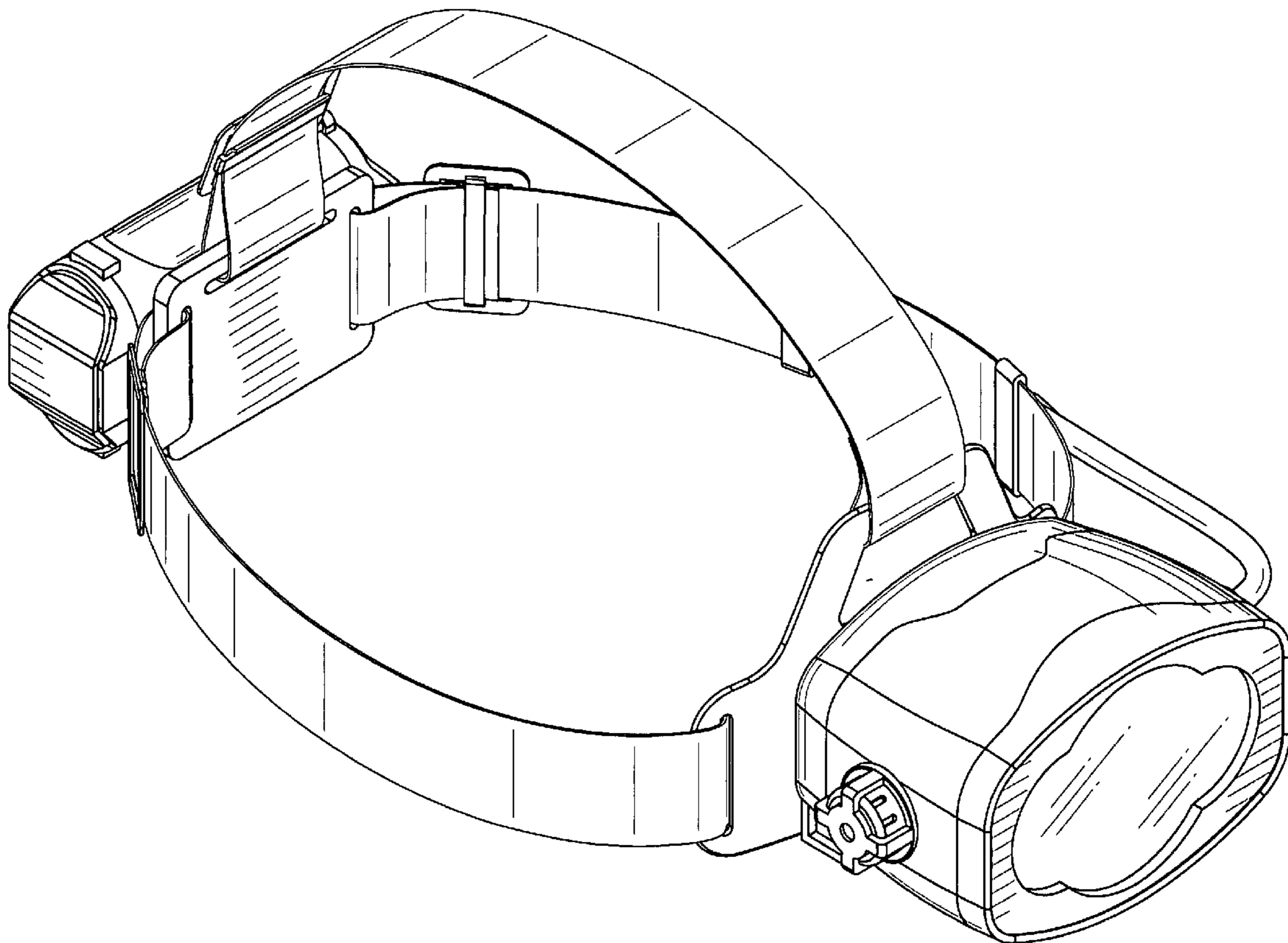
FIG. 5 is left side view thereof.

FIG. 6 is a right side view thereof.

FIG. 7 is a front view thereof; and,

FIG. 8 is a back view thereof.

**1 Claim, 8 Drawing Sheets**



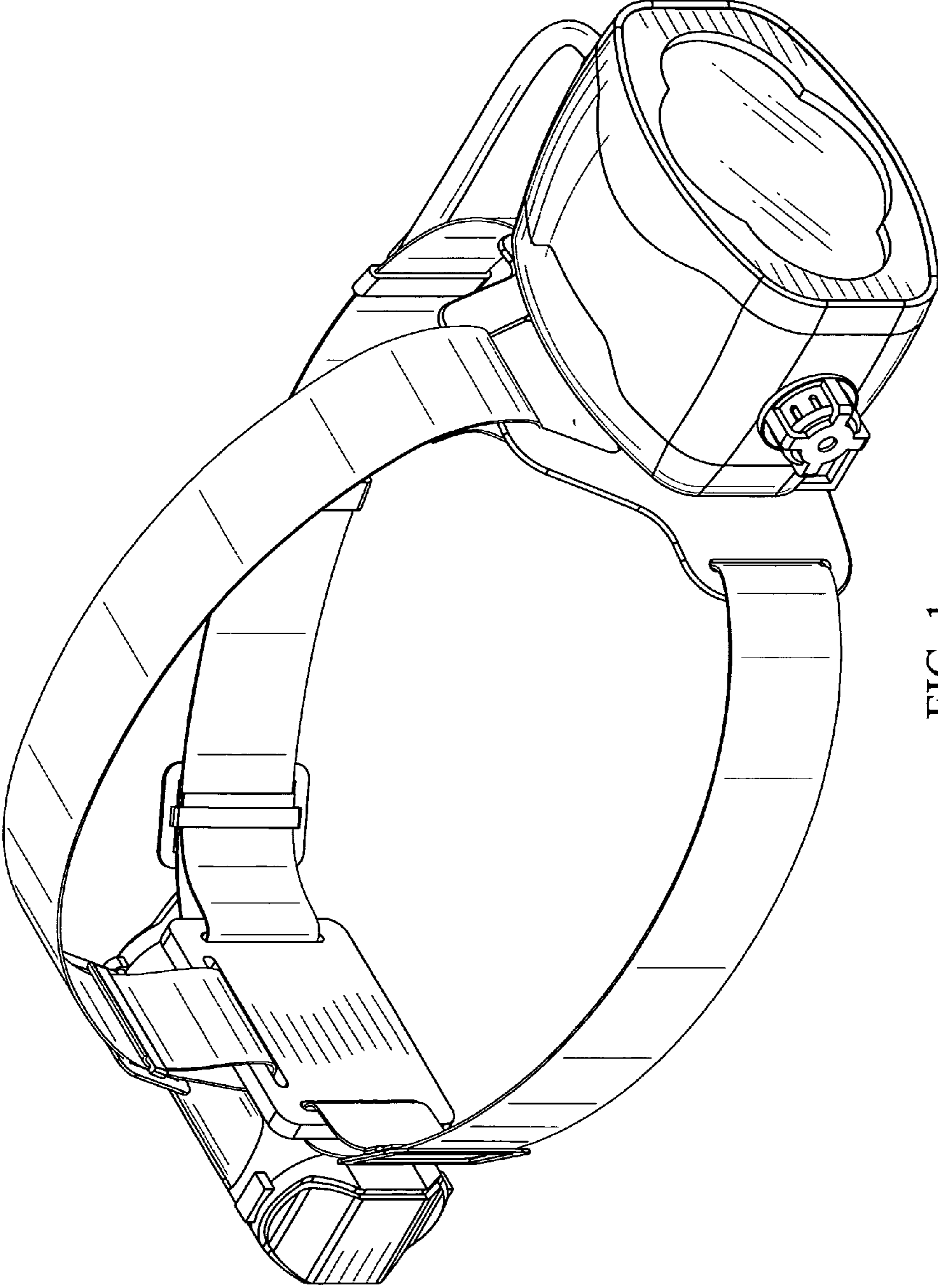


FIG. 1

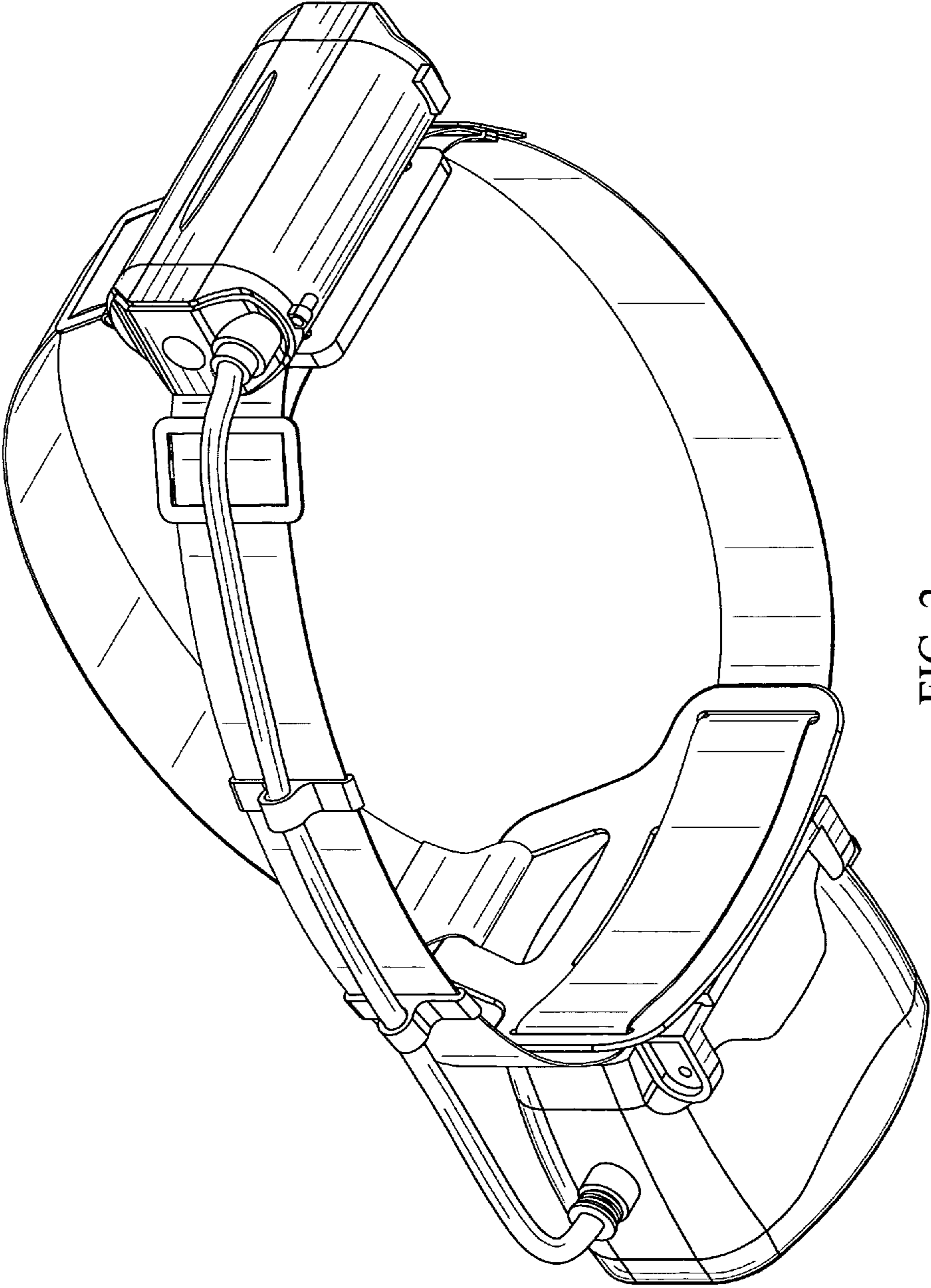


FIG. 2

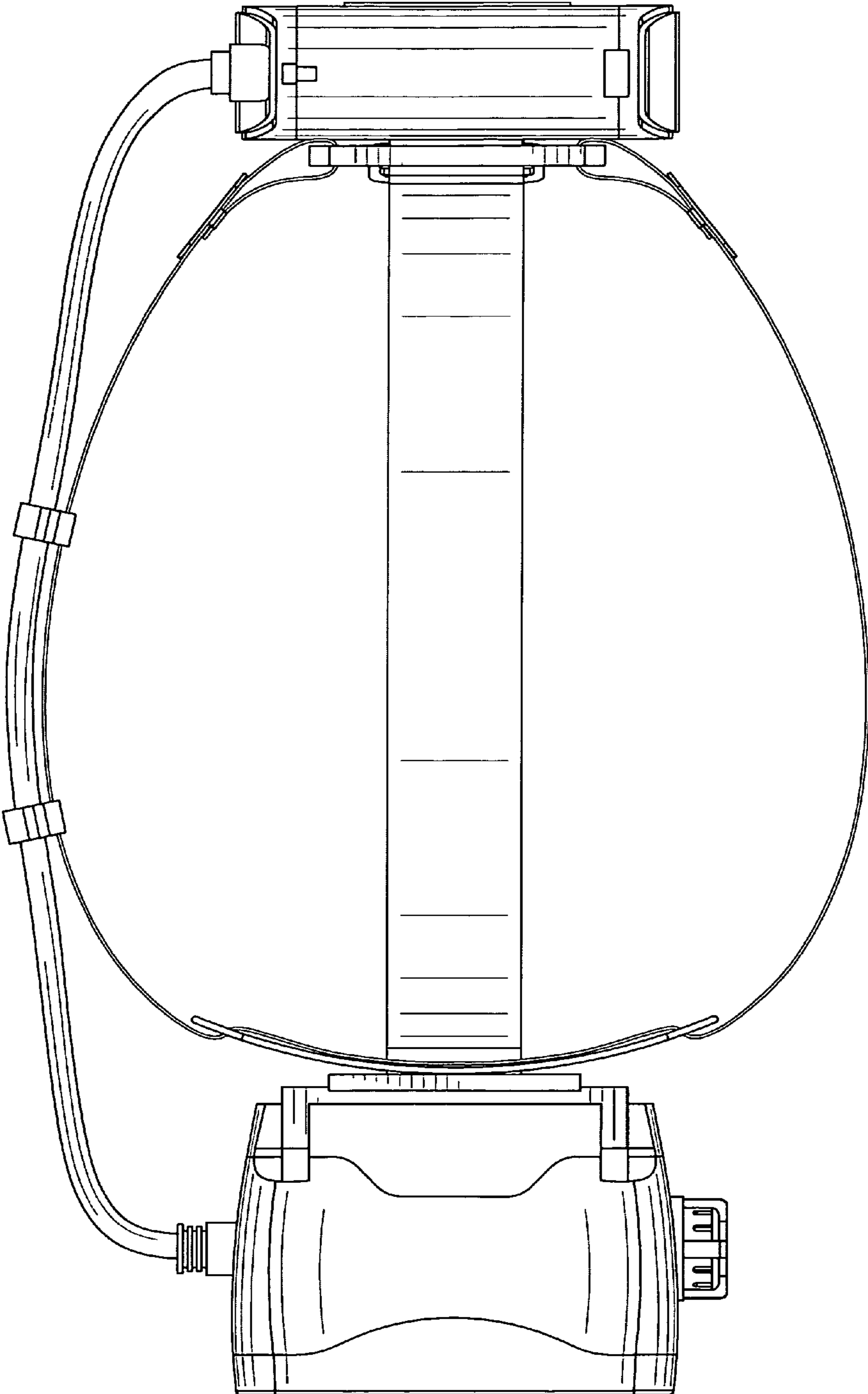


FIG. 3

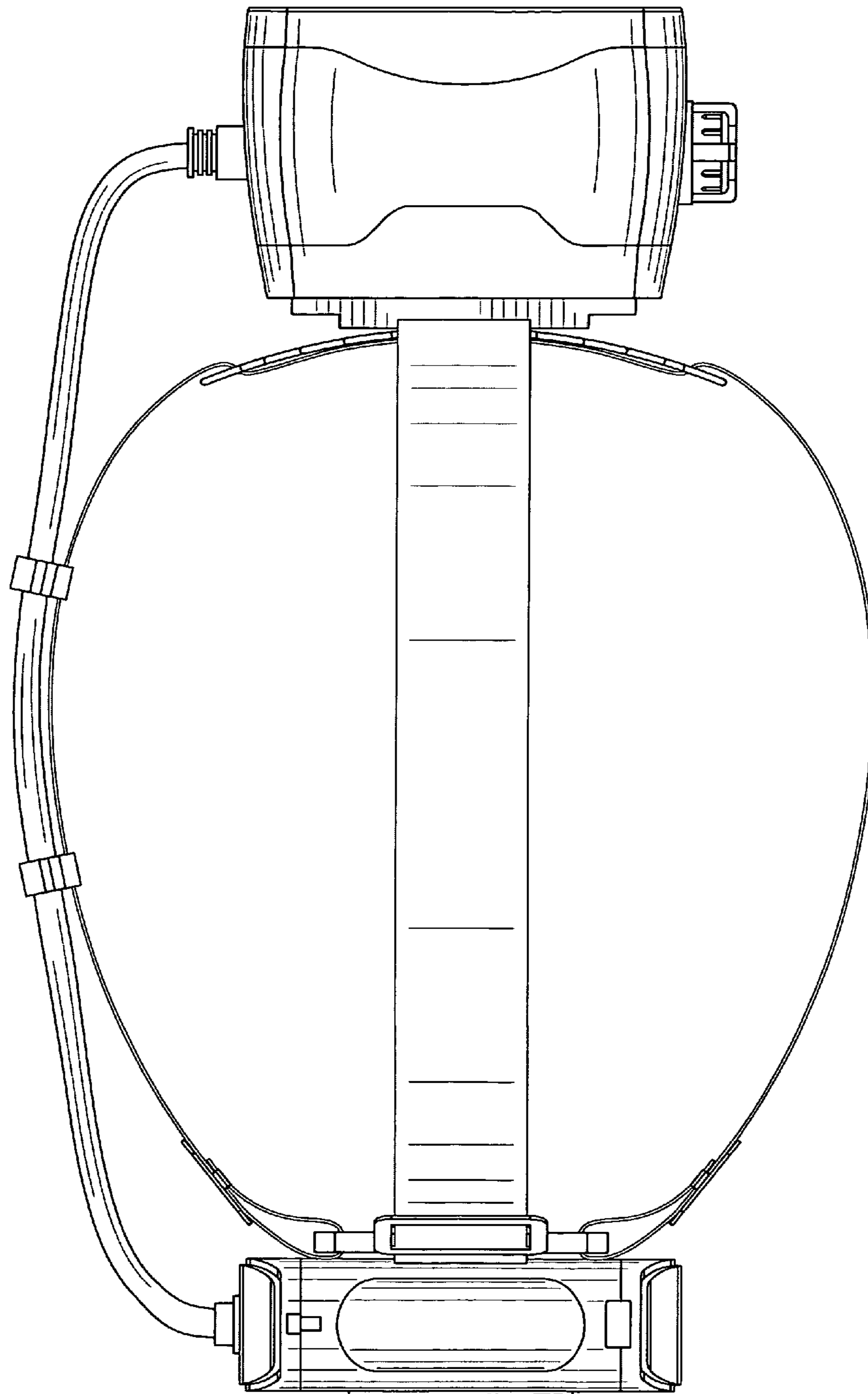


FIG. 4

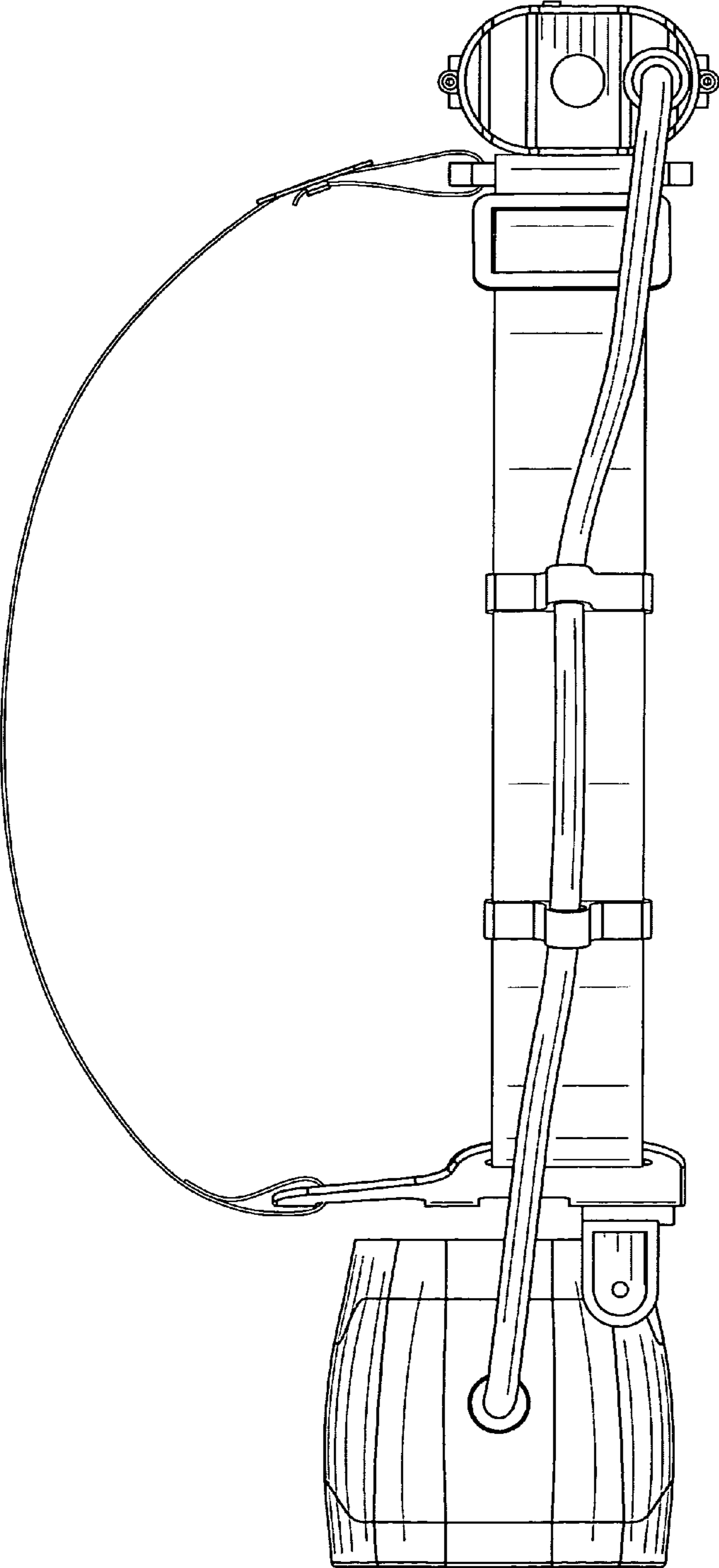


FIG. 5

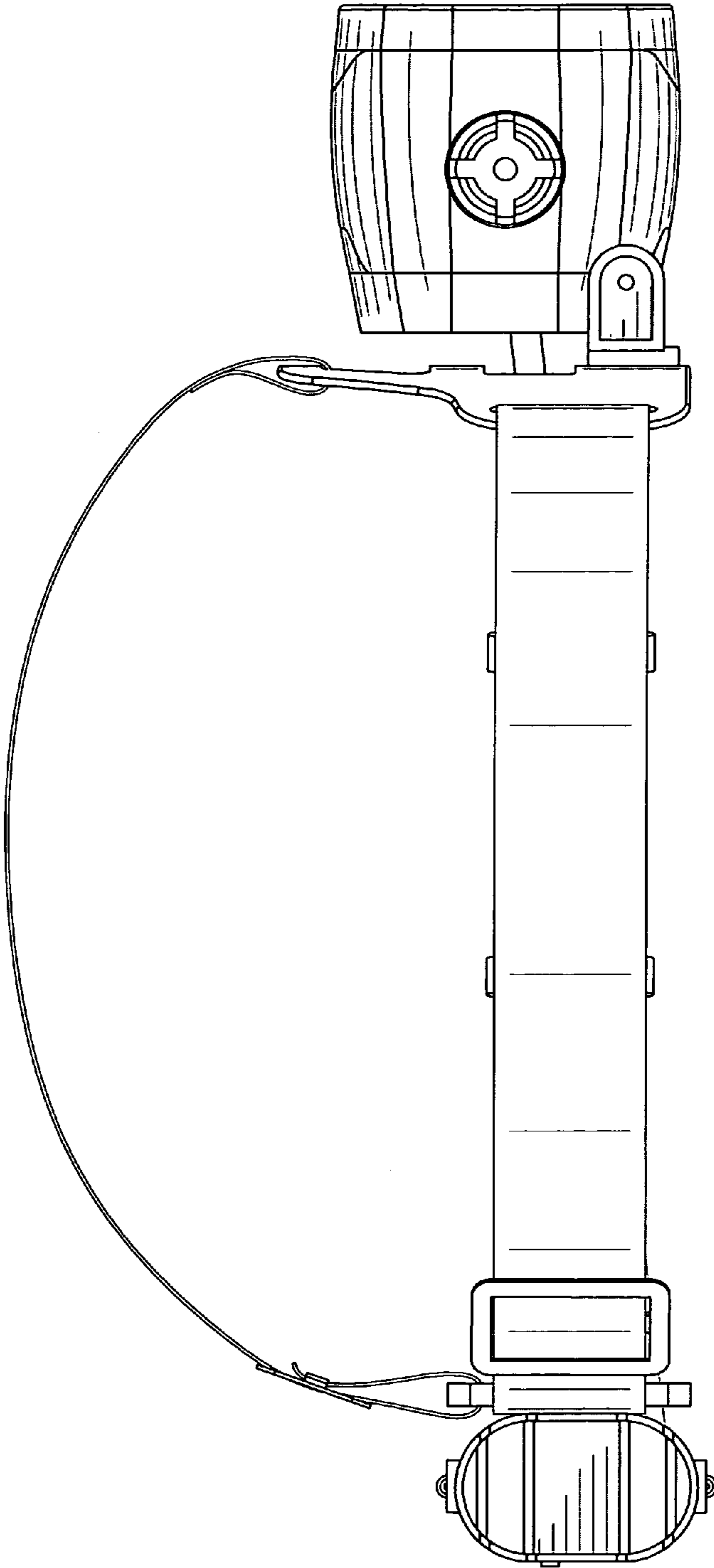


FIG. 6

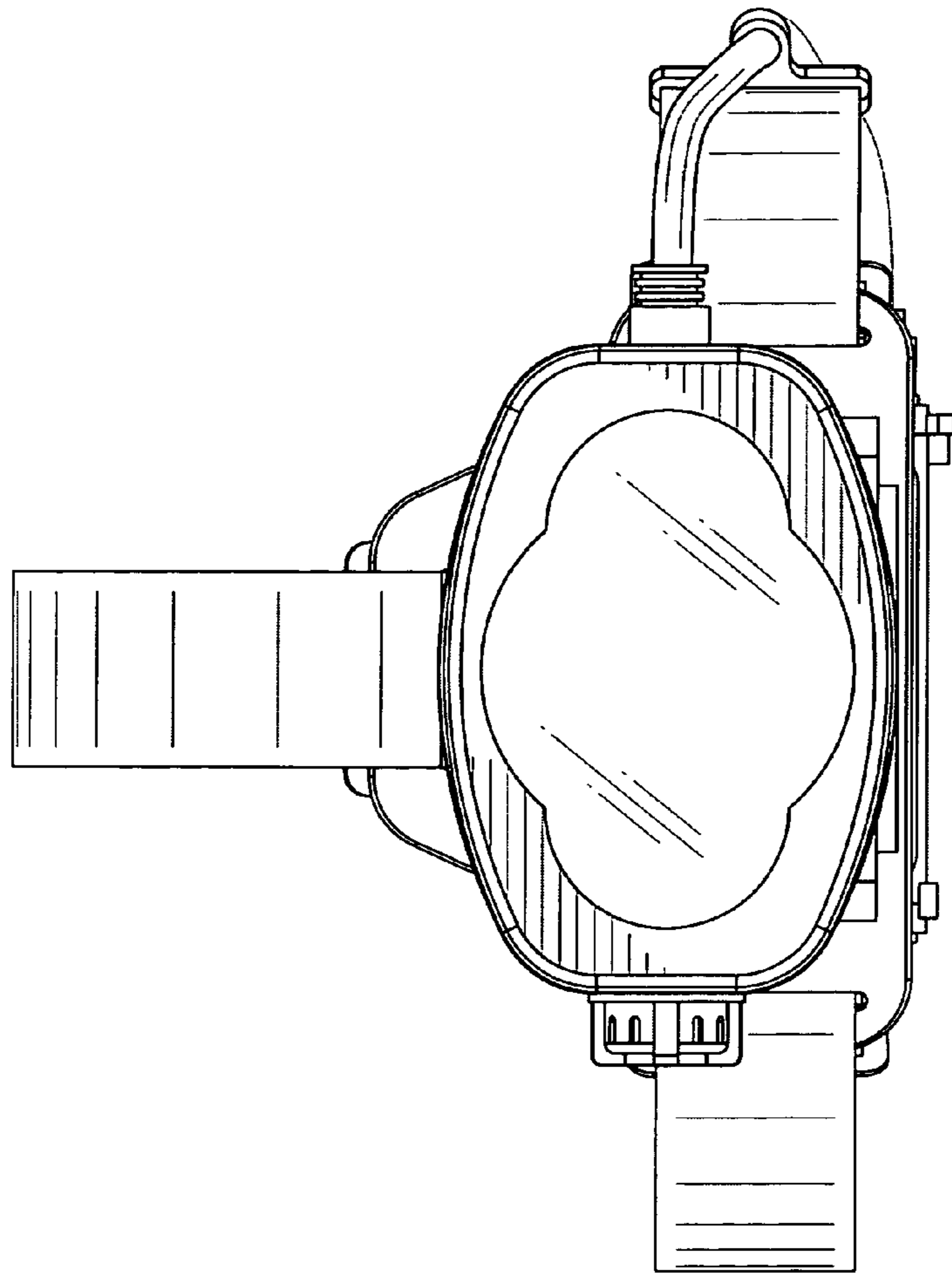


FIG. 7



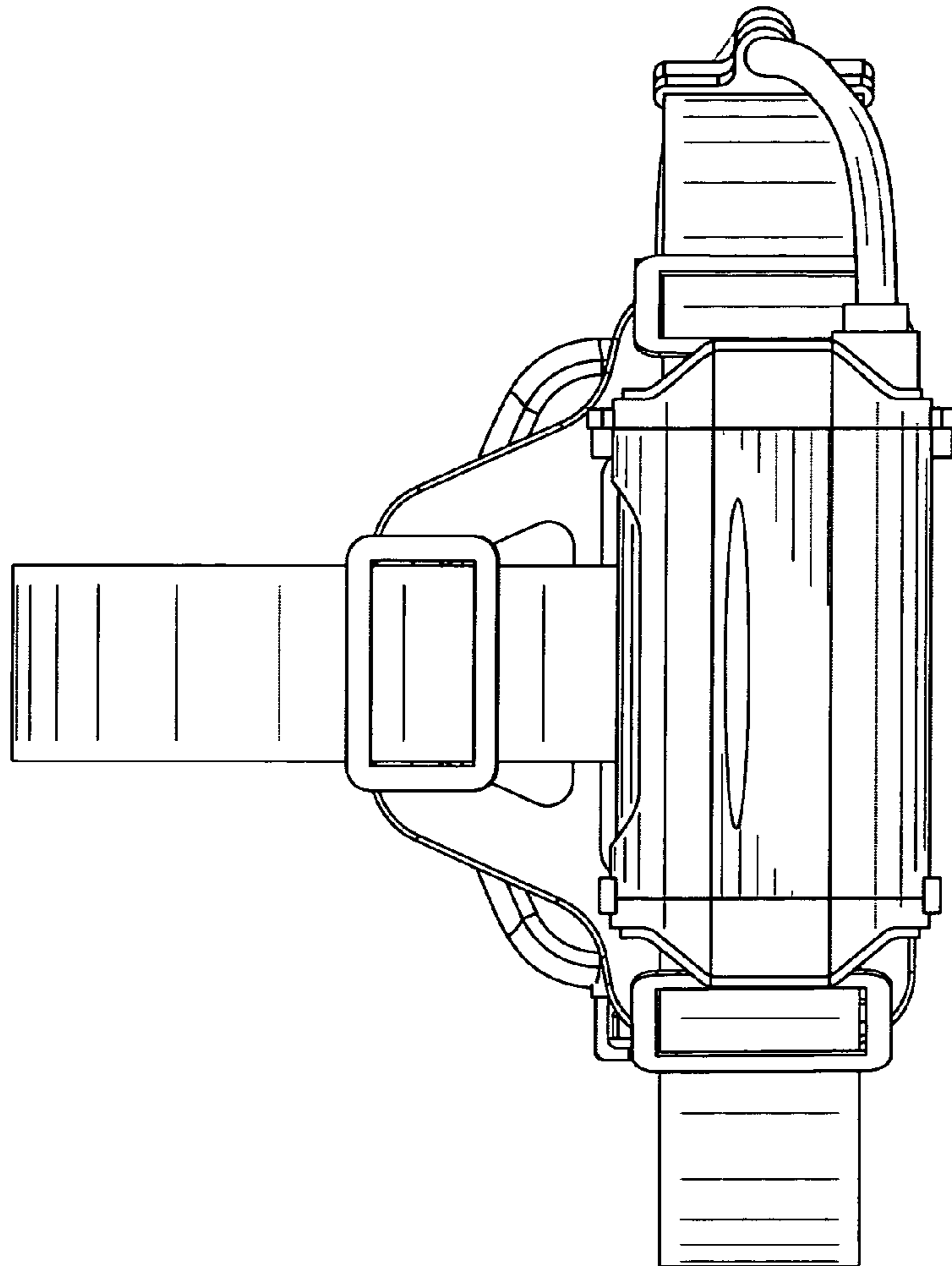


FIG. 8