



US00D672892S

(12) **United States Design Patent**
Zabaco

(10) **Patent No.:** **US D672,892 S**
(45) **Date of Patent:** **** Dec. 18, 2012**

(54) **WAX BEAR**

(75) Inventor: **Alejandro T. Zabaco**, Barcelona (ES)

(73) Assignee: **Jovi, S.A.** (ES)

(**) Term: **14 Years**

(21) Appl. No.: **29/392,600**

(22) Filed: **May 24, 2011**

(30) **Foreign Application Priority Data**

Nov. 24, 2010 (EM) 001785403

(51) **LOC (9) Cl.** **26-04**

(52) **U.S. Cl.** **D26/7**

(58) **Field of Classification Search** D26/1-7;
431/288-292

See application file for complete search history.

(56) **References Cited**

U.S. PATENT DOCUMENTS

D302,475 S * 7/1989 Lam D26/7
D380,855 S * 7/1997 Arshad D26/7

D426,326 S * 6/2000 Dearth D26/7
D442,710 S * 5/2001 Pappas D26/7
D450,861 S * 11/2001 Murdick D26/7

* cited by examiner

Primary Examiner — Marcus Jackson

(74) *Attorney, Agent, or Firm* — Barnes & Thornburg LLP

(57) **CLAIM**

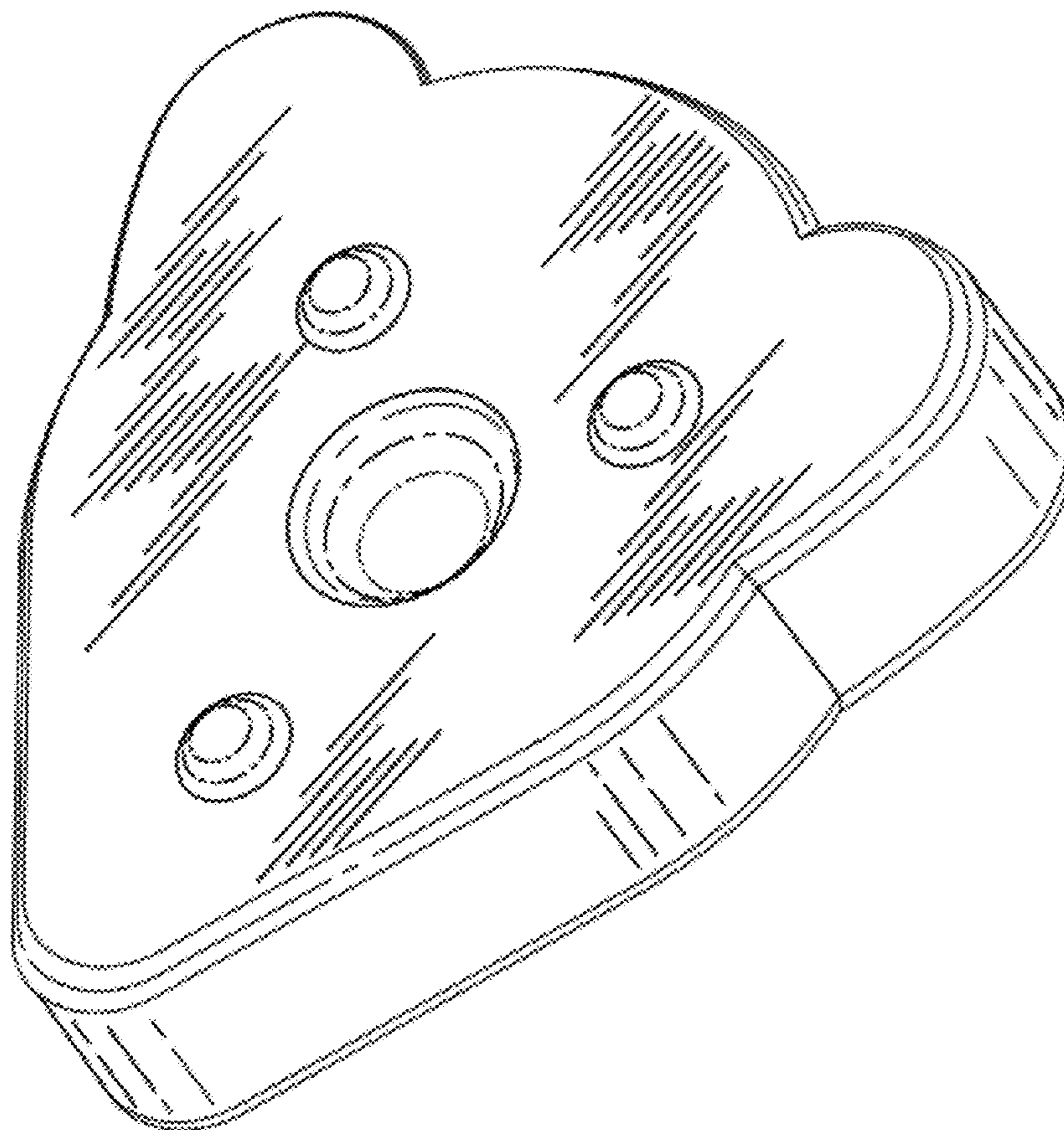
I claim the ornamental design for a wax bear, as shown and described.

DESCRIPTION

FIG. 1 is a front perspective view of a design of the wax bear; FIG. 2 is a back perspective view of the wax bear of FIG. 1; FIG. 3 is a front view of the wax bear of FIG. 1; FIG. 4 is a side elevation view of the wax bear of FIG. 1; FIG. 5 is a bottom view of the wax bear of FIG. 1; and, FIG. 6 is a top view of the wax bear of FIG. 1.

The portion shown in broken lines is for illustrative purposes only and forms no part of the claimed design.

1 Claim, 5 Drawing Sheets



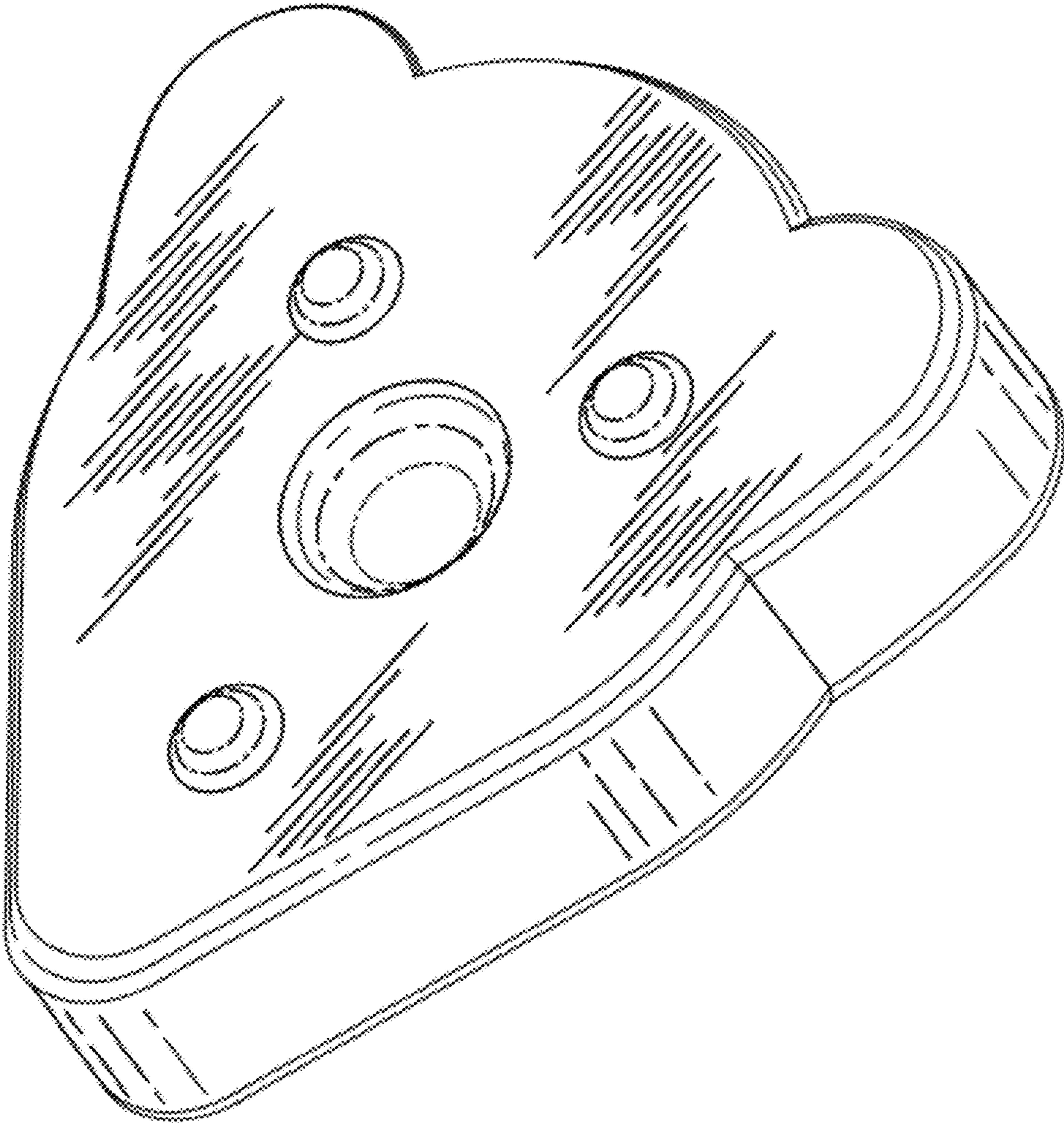


Fig. 1

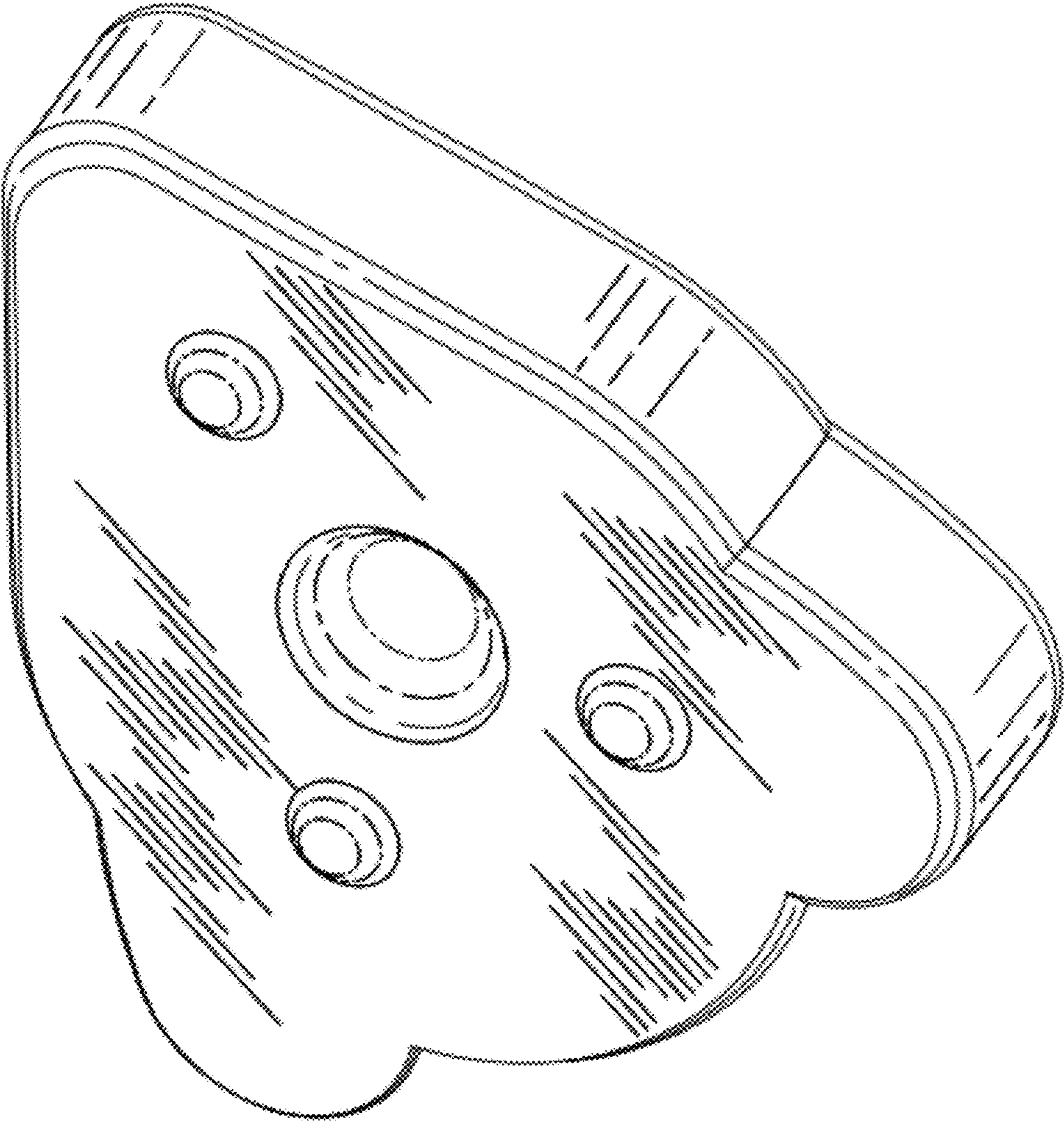


Fig. 2

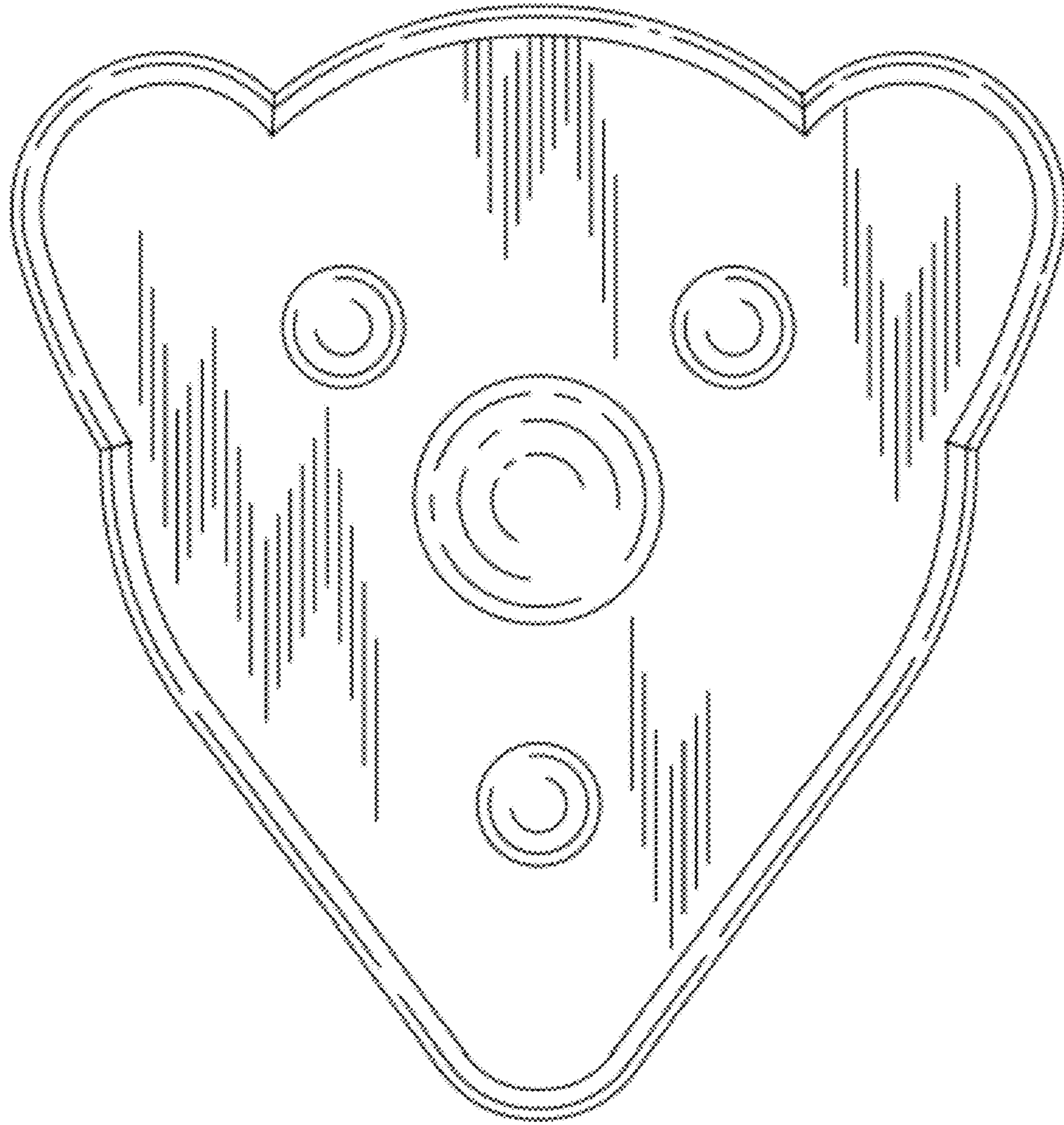


Fig. 3

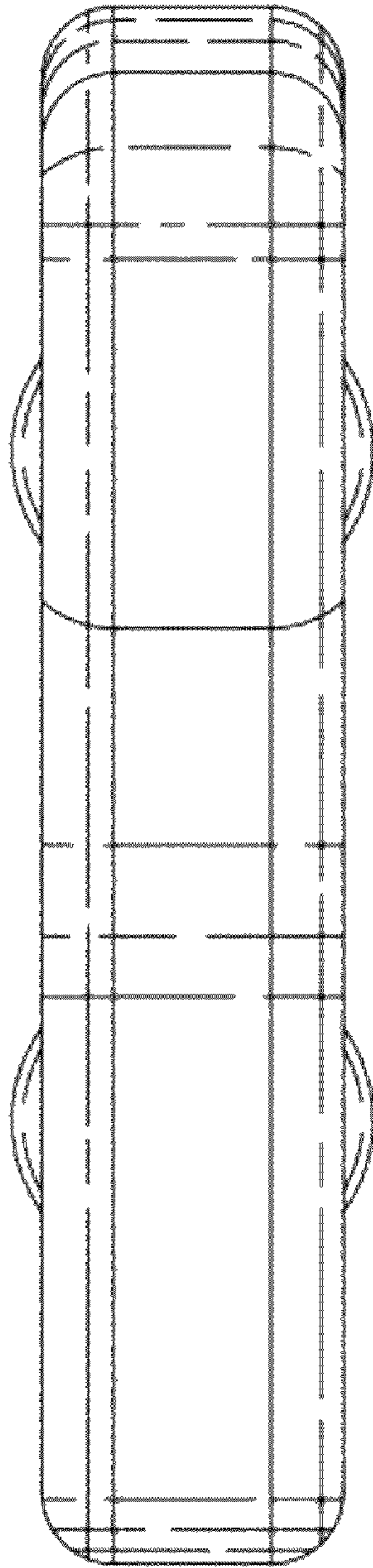


Fig. 4

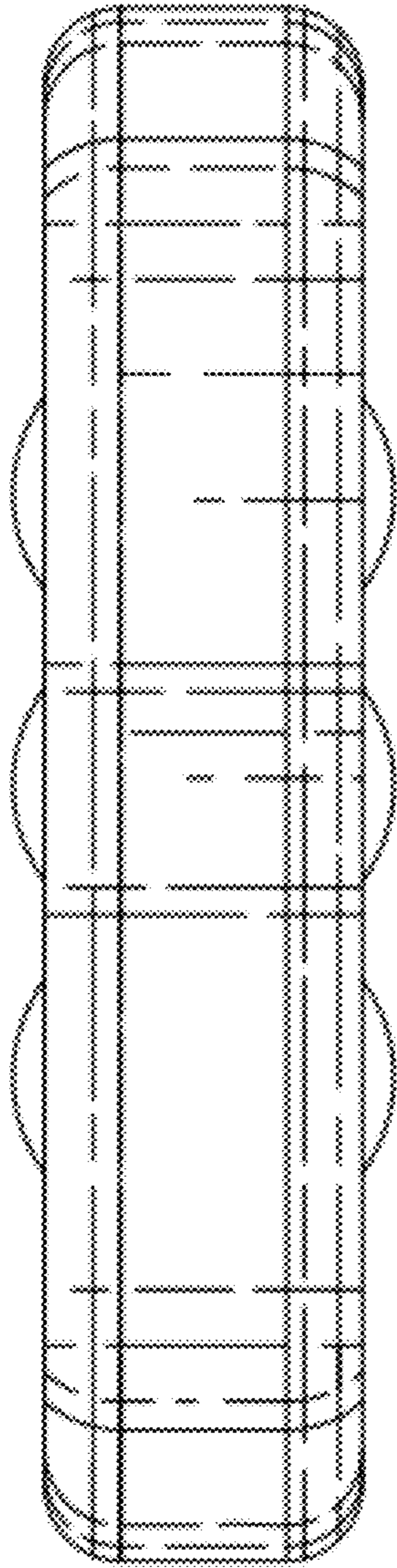


Fig. 5

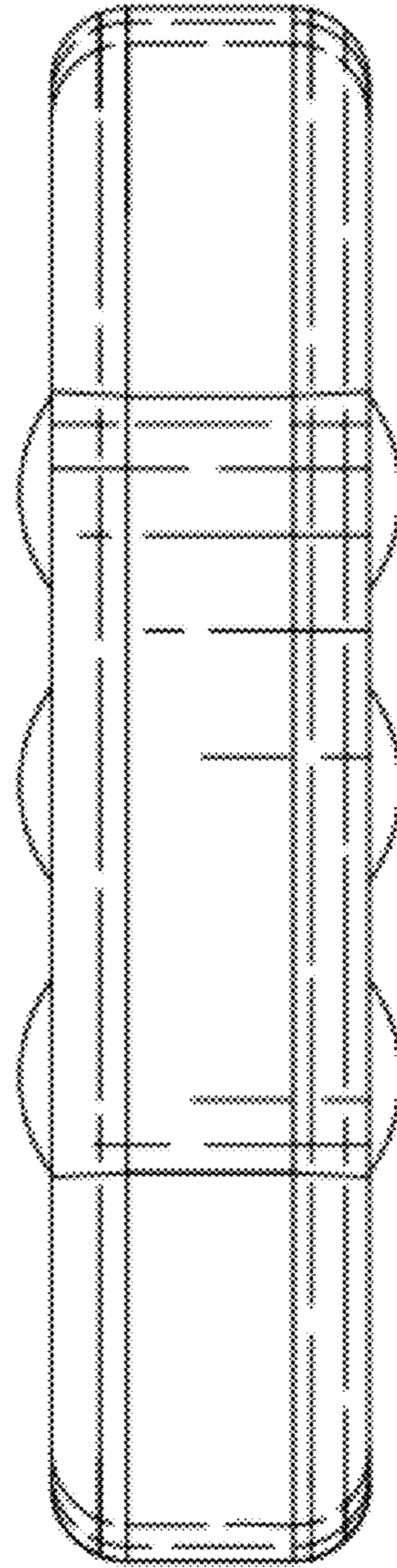


Fig. 6