



US00D672890S

(12) **United States Design Patent**  
**Lee et al.**

(10) **Patent No.:** **US D672,890 S**  
(45) **Date of Patent:** **\*\* Dec. 18, 2012**

(54) **LIGHT EMITTING DIODE LAMP**  
(75) Inventors: **Jiann-Hung Lee**, New Taipei (TW);  
**Chin-Wei Chou**, New Taipei (TW);  
**Tsung-Chi Lai**, New Taipei (TW)  
(73) Assignees: **Cal-Comp Electronics & Communications Company Limited**,  
New Taipei (TW); **Kinpo Electronics, Inc.**, New Taipei (TW)  
(\*\*) Term: **14 Years**  
(21) Appl. No.: **29/384,534**  
(22) Filed: **Feb. 1, 2011**  
(51) **LOC (9) Cl.** ..... **26-04**  
(52) **U.S. Cl.** ..... **D26/2**  
(58) **Field of Classification Search** ..... D26/1-4;  
313/313, 315, 316, 317, 318, 493; 315/52,  
315/53, 56, 57, 58  
See application file for complete search history.

D528,673 S \* 9/2006 Maxik et al. .... D26/2  
D593,223 S \* 5/2009 Komar ..... D26/2  
D610,271 S \* 2/2010 Bi ..... D26/2  
D616,120 S \* 5/2010 Wada et al. .... D26/2  
D617,918 S \* 6/2010 Yamamoto et al. .... D26/2  
D631,990 S \* 2/2011 Bobel ..... D26/2

\* cited by examiner

*Primary Examiner* — Marcus Jackson  
(74) *Attorney, Agent, or Firm* — Jianq Chyun IP Office

(57) **CLAIM**  
The ornamental design for a light emitting diode lamp, as shown and described.

**DESCRIPTION**

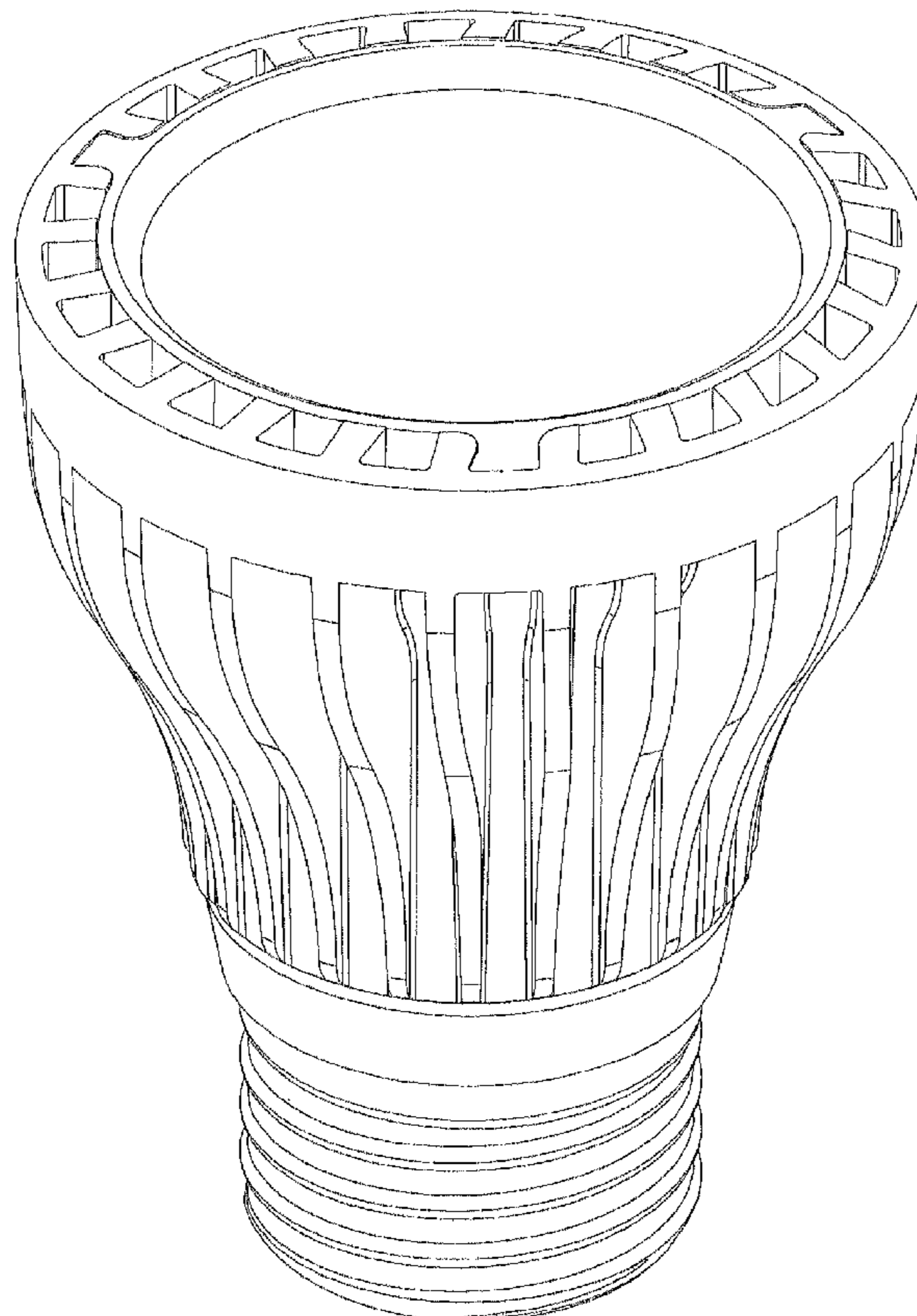
FIG. 1 is a perspective view of a lighting emitting diode lamp showing a first embodiment of our new design; FIG. 2 is another perspective view thereof; FIG. 3 is a front view thereof; FIG. 4 is a rear view thereof; FIG. 5 is a left side view thereof; FIG. 6 is a right side view thereof; FIG. 7 is a top view thereof; and, FIG. 8 is a bottom view thereof.

(56) **References Cited**

U.S. PATENT DOCUMENTS

D348,527 S \* 7/1994 Gallant ..... D26/2  
D395,092 S \* 6/1998 Vakil ..... D26/2

**1 Claim, 8 Drawing Sheets**



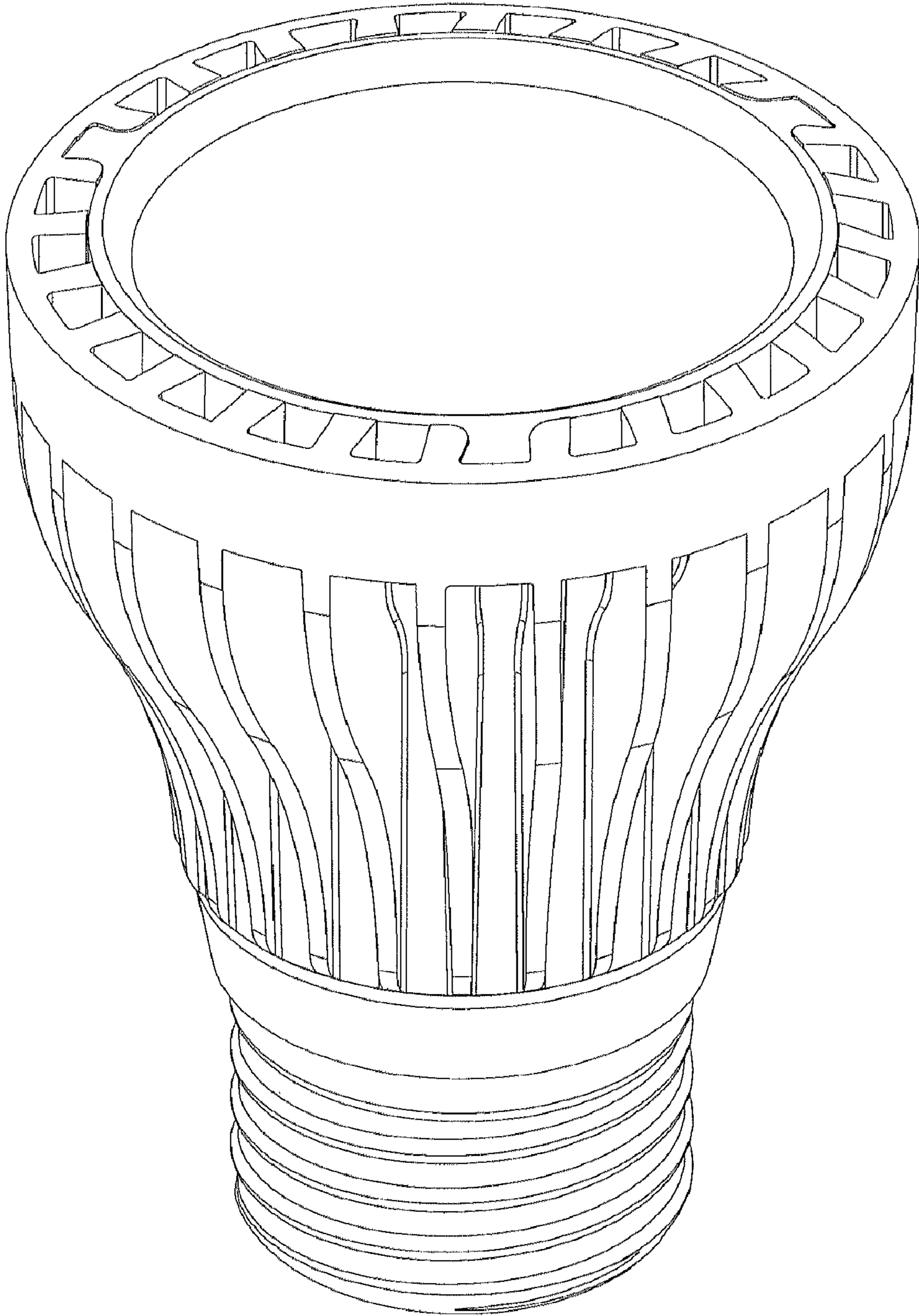


FIG. 1

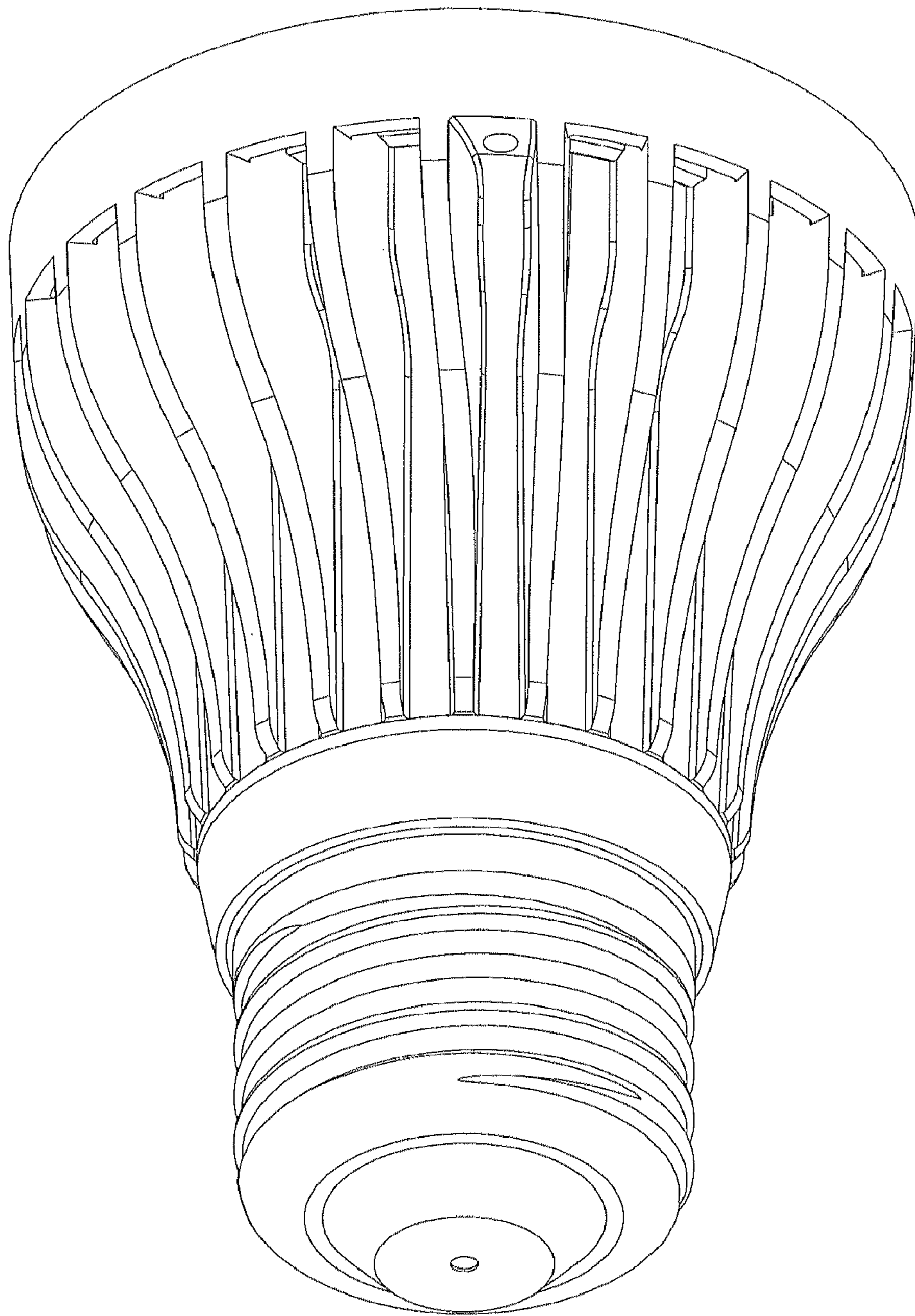


FIG. 2

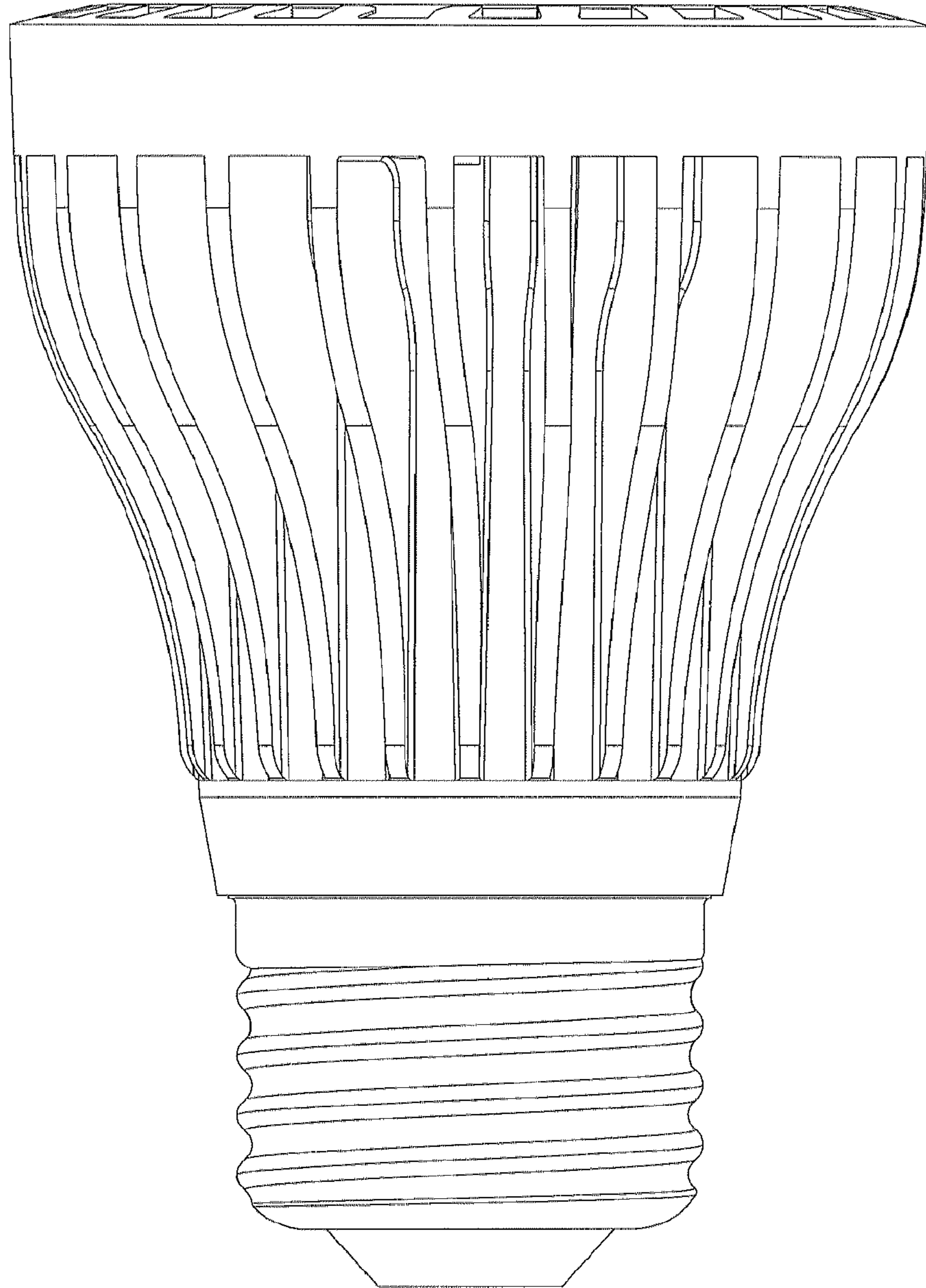


FIG. 3

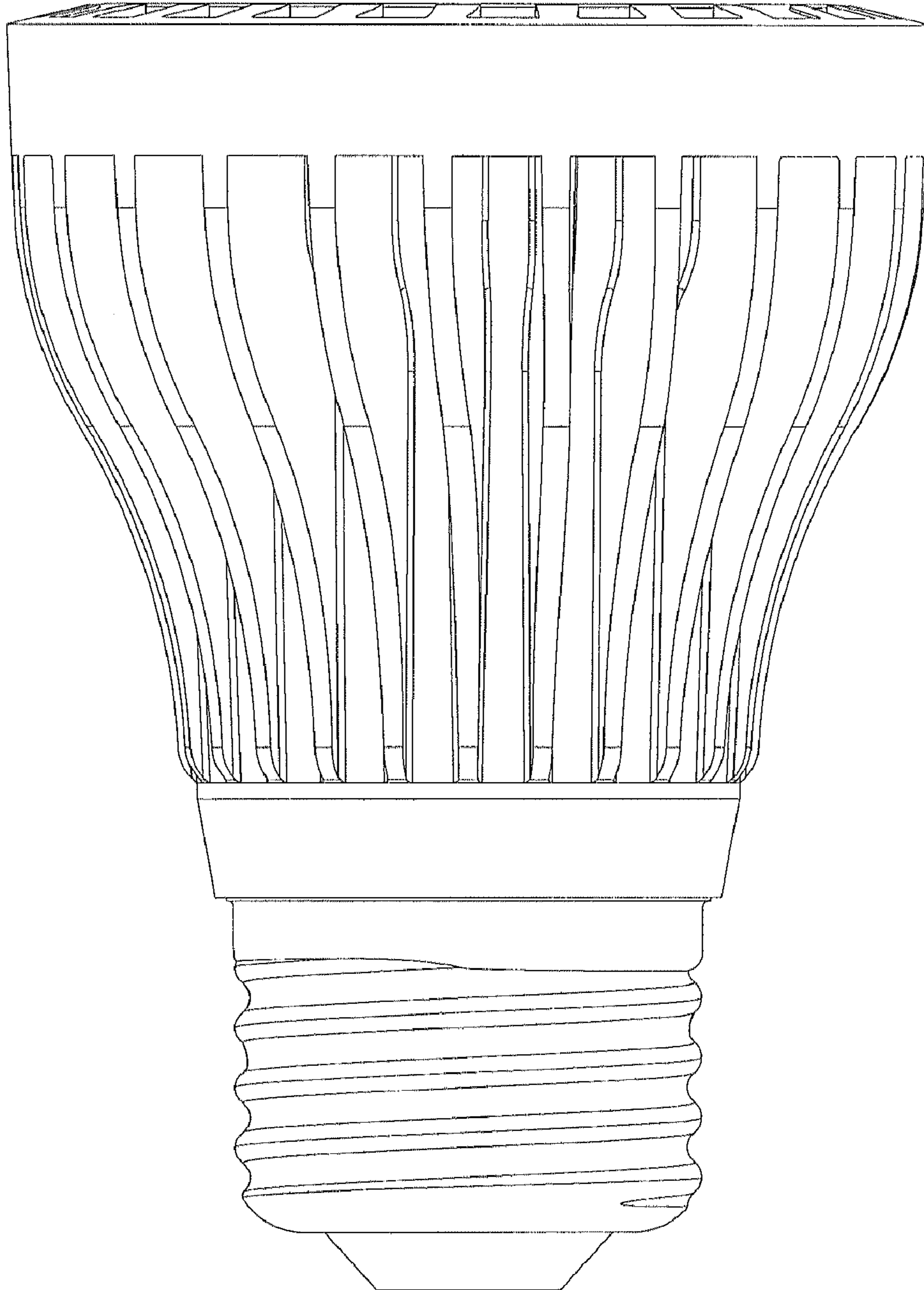


FIG. 4

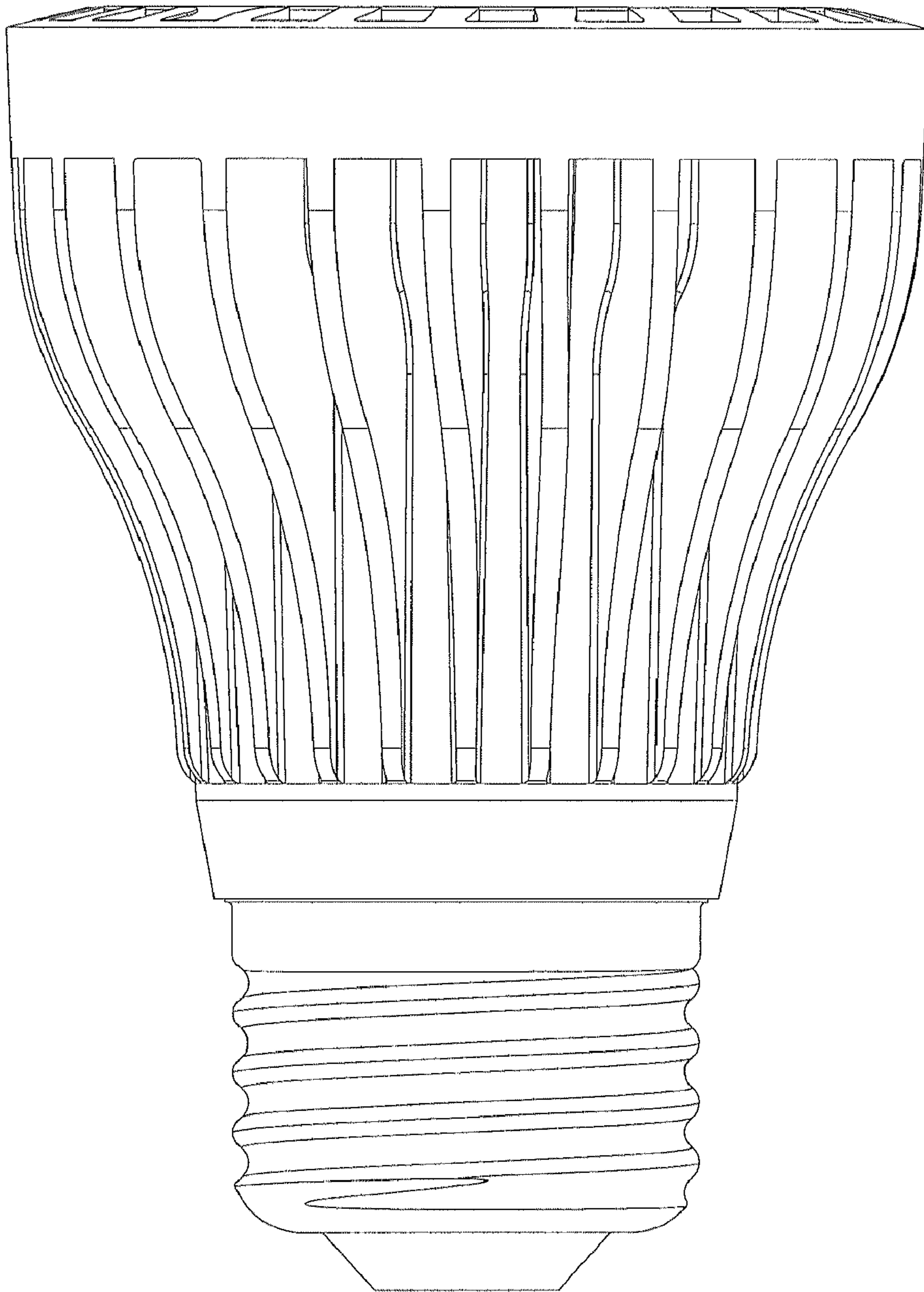


FIG. 5

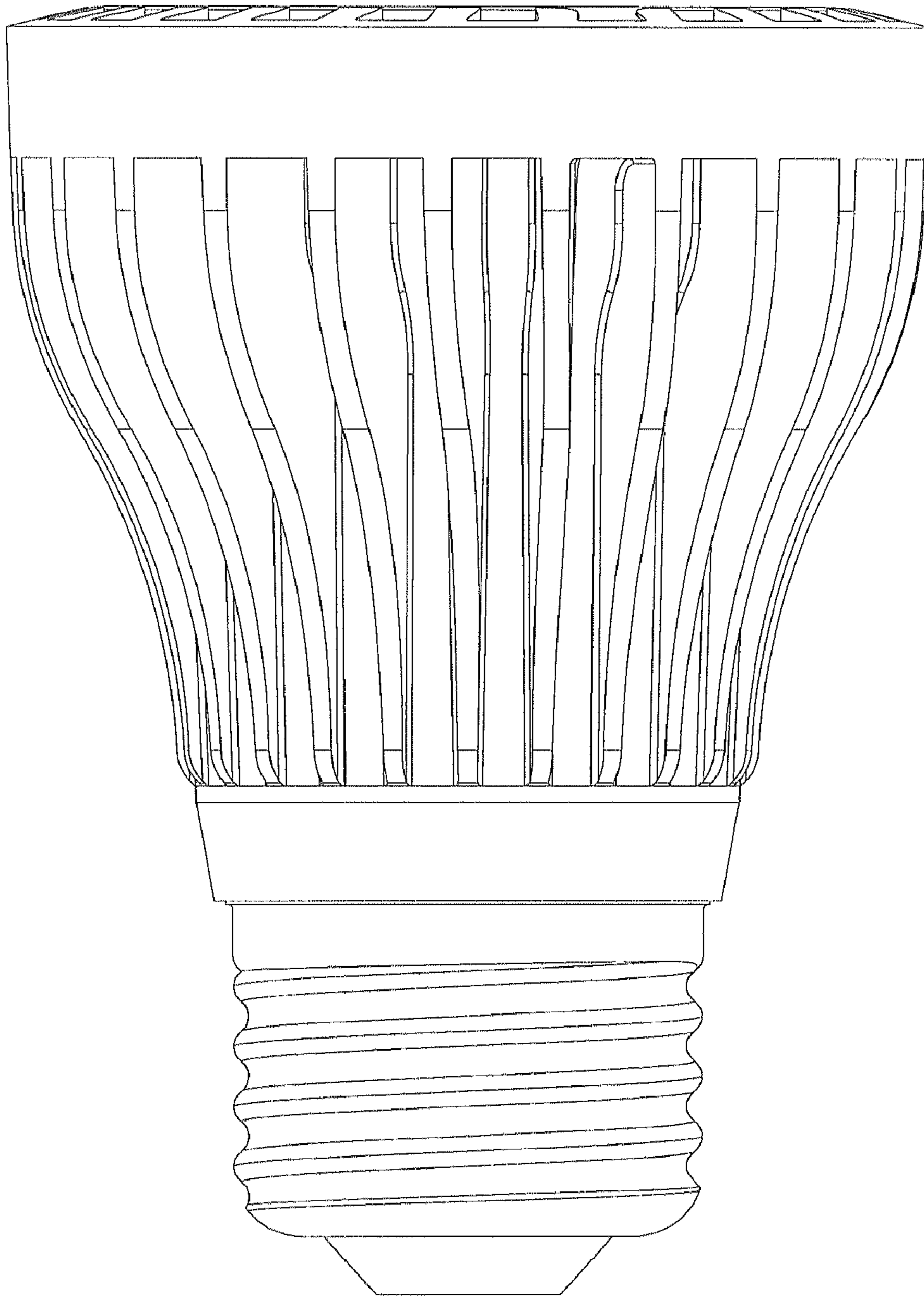


FIG. 6

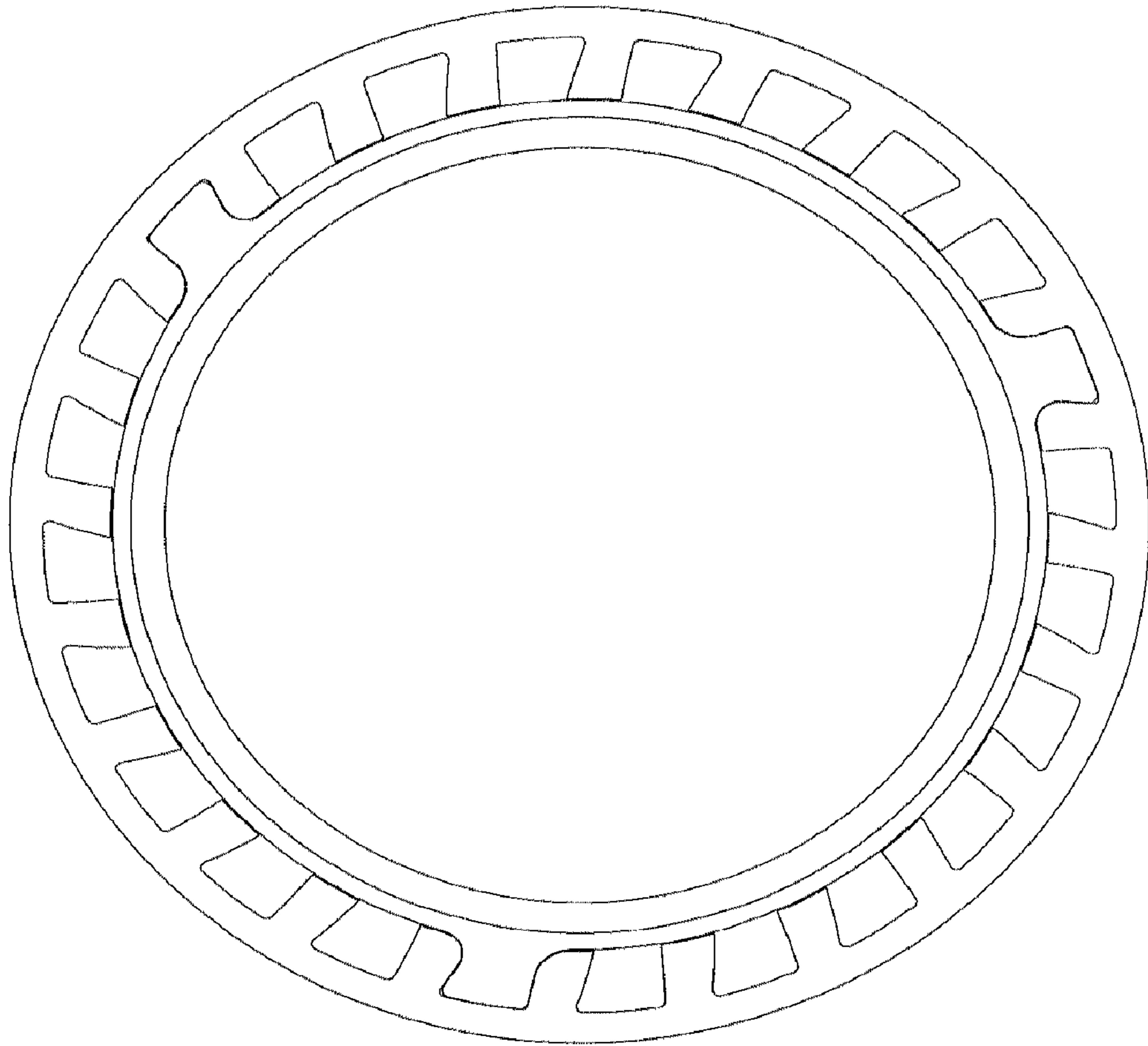


FIG. 7



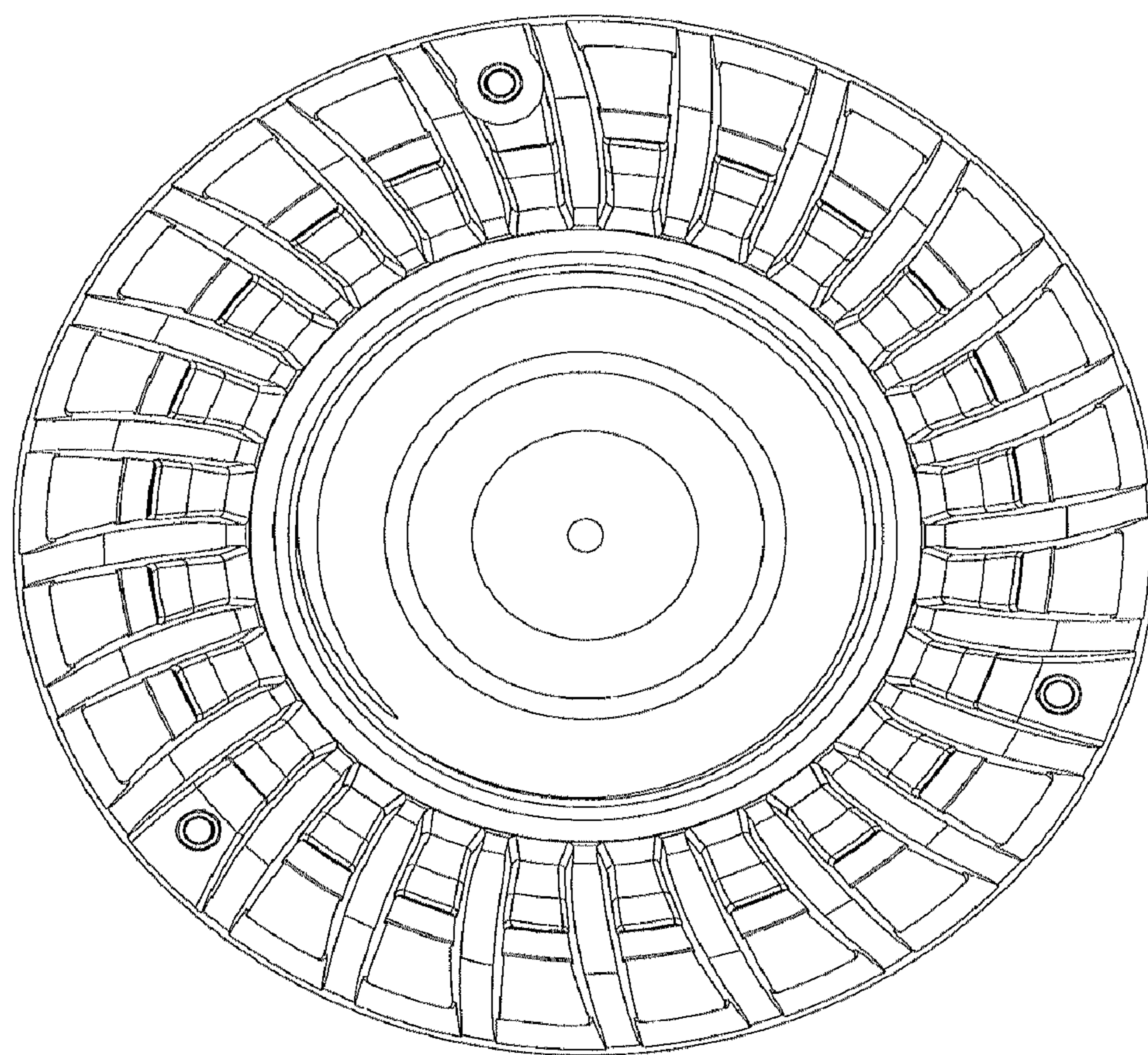


FIG. 8