



US00D672889S

(12) **United States Design Patent**
Ryan et al.

(10) **Patent No.:** **US D672,889 S**
(45) **Date of Patent:** **** Dec. 18, 2012**

(54) **COLUMN PROTECTOR**

(75) Inventors: **James P. Ryan**, Lakewood, OH (US);
Jeffrey P. Wagner, Greenfield, IN (US)

(73) Assignee: **Sentry Protection LLC**, Lakewood, OH (US)

(**) Term: **14 Years**

(21) Appl. No.: **29/407,553**

(22) Filed: **Nov. 30, 2011**

(51) **LOC (9) Cl.** **25-01**

(52) **U.S. Cl.** **D25/126**

(58) **Field of Classification Search** D25/126;
405/257, 216, 211, 302.6; 52/835
See application file for complete search history.

(56) **References Cited**

U.S. PATENT DOCUMENTS

4,244,156	A *	1/1981	Watts, Jr.	52/746.1
5,138,806	A	8/1992	Marx et al.	
5,311,713	A	5/1994	Goodrich	
5,380,131	A	1/1995	Crawford	
5,435,667	A	7/1995	Strange	
6,098,353	A *	8/2000	Stanfield	52/170
6,176,062	B1	1/2001	Fayle	
6,364,575	B1 *	4/2002	Bradley et al.	405/216
D465,585	S	11/2002	Venegas, Jr.	
D470,598	S	2/2003	Schneider et al.	
D583,081	S	12/2008	Ryan	
D587,820	S	3/2009	Ryan	
D589,632	S	3/2009	Ryan	

OTHER PUBLICATIONS

Advertising Brochure of Sentry Protection Products, 2 pages, We've developed a way to "soften the blow." Published on <http://sentrypro.com> in 2010.

* cited by examiner

Primary Examiner — Doris Clark

(74) *Attorney, Agent, or Firm* — Wegman Hessler & Vanderburg

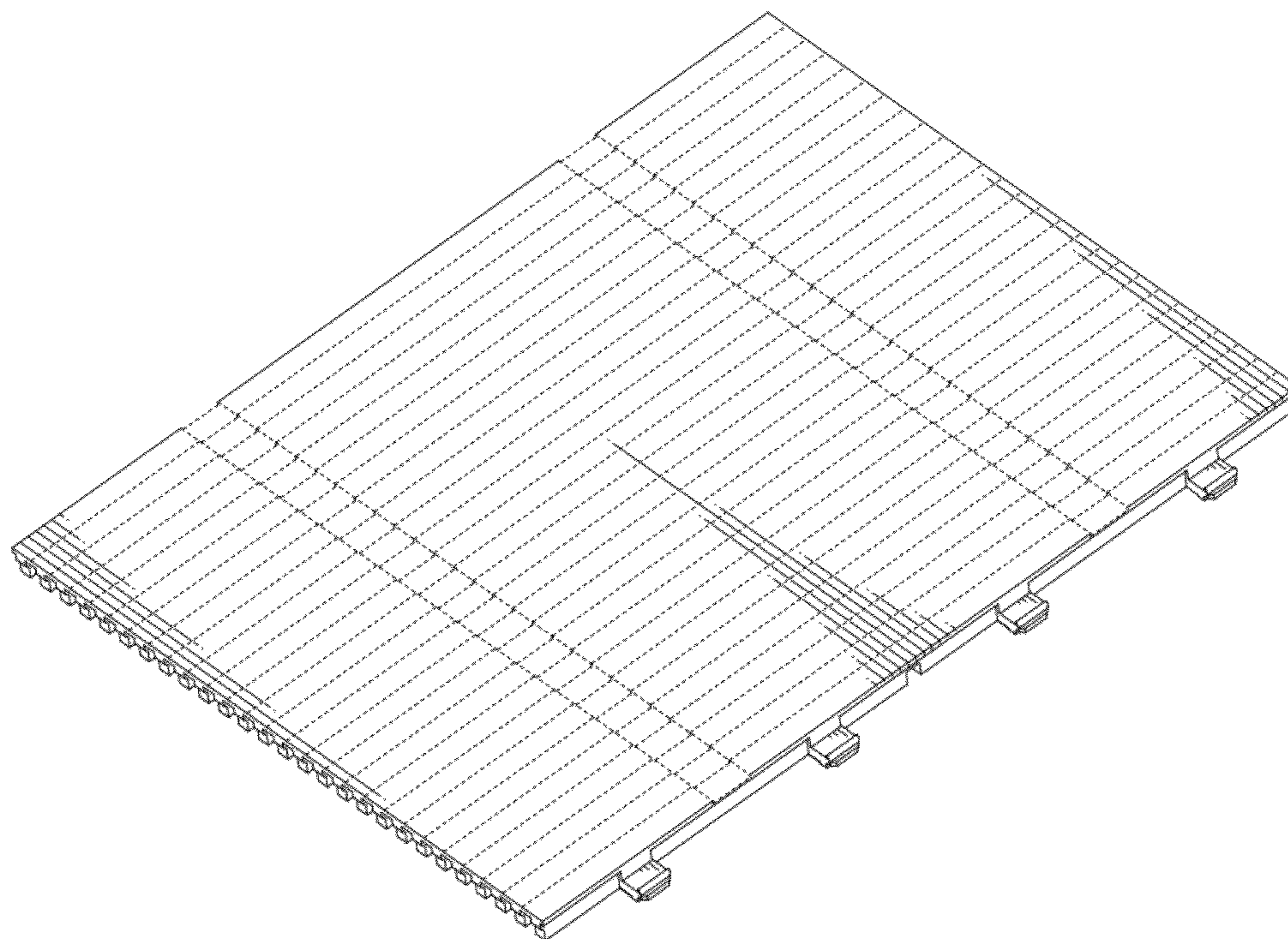
(57) **CLAIM**

We claim the ornamental design for a column protector, as shown and described.

DESCRIPTION

FIG. 1 is a front perspective view of a column protector of the present invention;
FIG. 2 is a rear perspective view thereof;
FIG. 3 is a front view thereof;
FIG. 4 is a rear view thereof;
FIG. 5 is first side view thereof;
FIG. 6 is second side view thereof;
FIG. 7 is a top view thereof, the bottom view is a mirror image thereof;
FIG. 8 is a magnified front perspective view thereof;
FIG. 9 is a magnified rear perspective view thereof; and,
FIG. 10 is a magnified rear perspective view thereof.
The ornamental design which is claimed is shown in solid lines in the drawings. Any broken lines in the drawings are for illustrative purposes only and form no part of the claimed design.

1 Claim, 6 Drawing Sheets



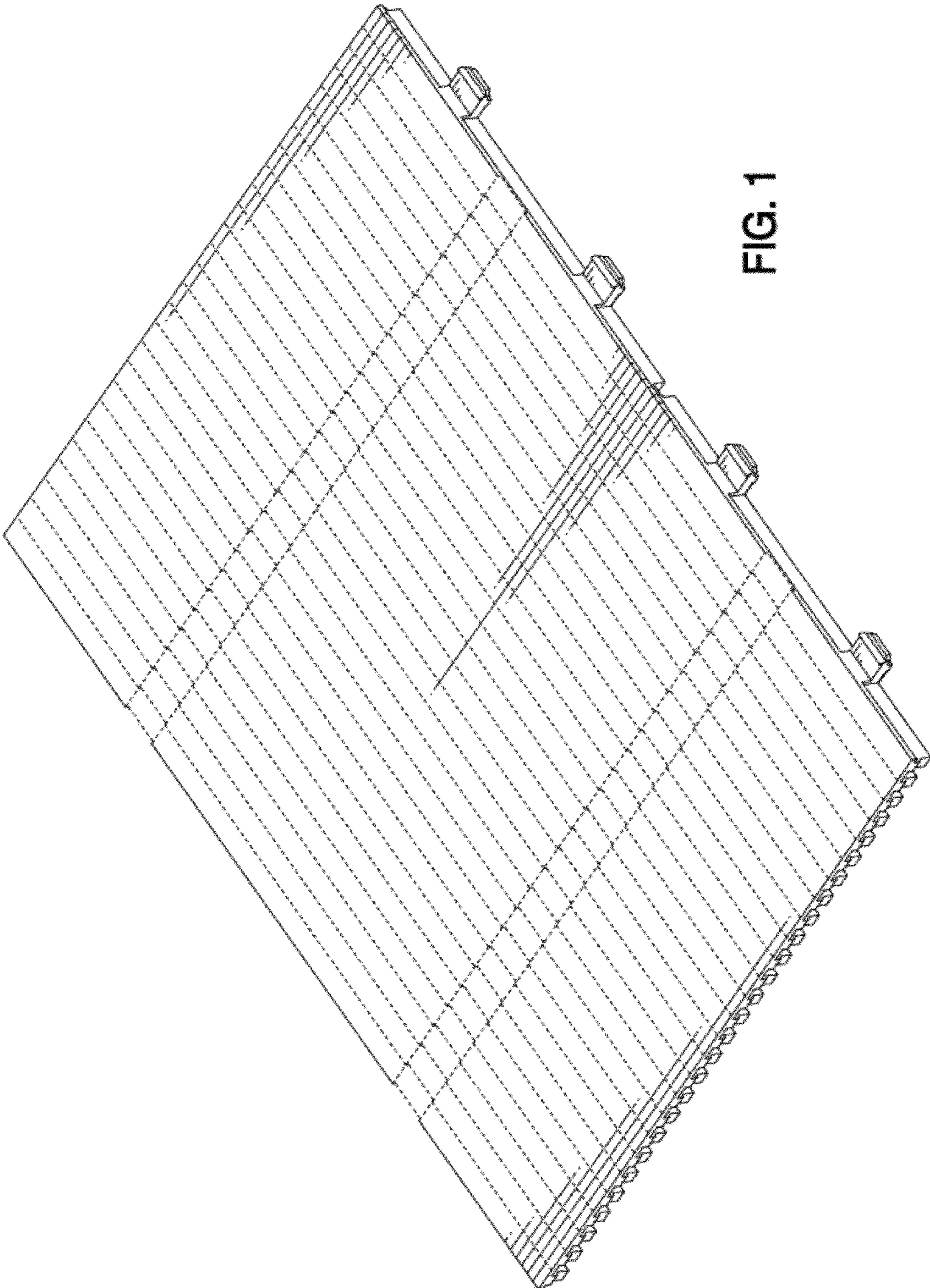


FIG. 1

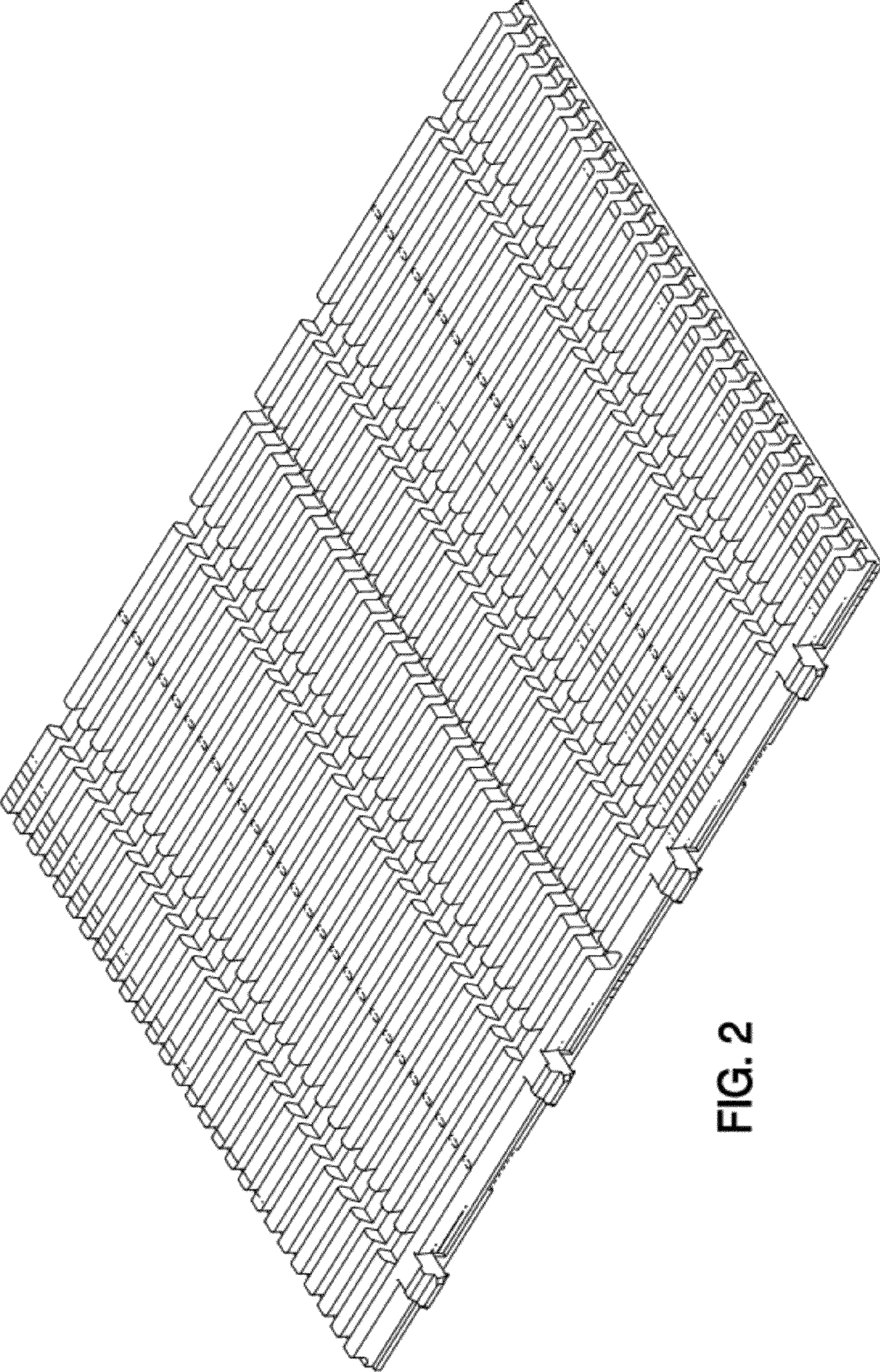
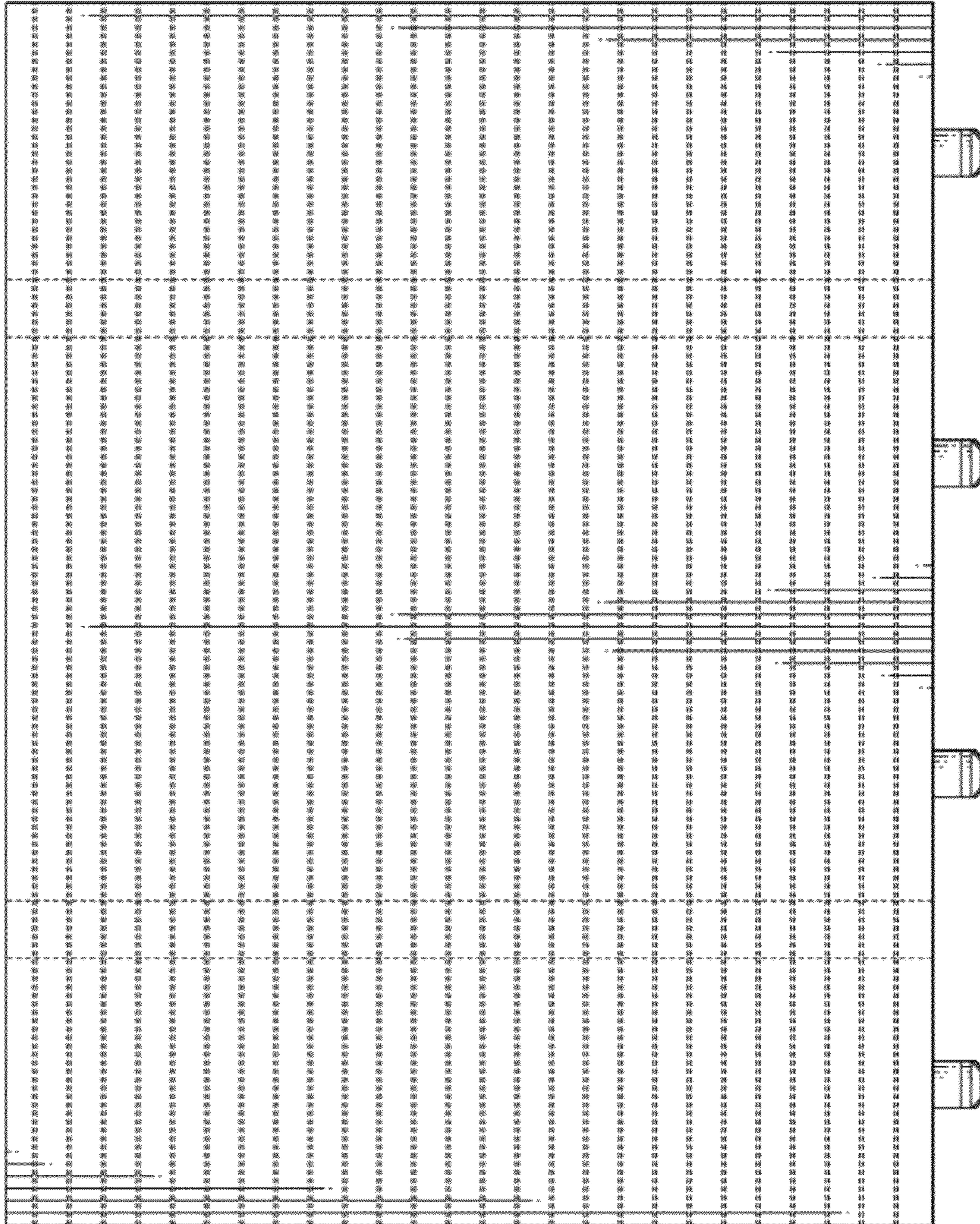


FIG. 2

FIG. 3



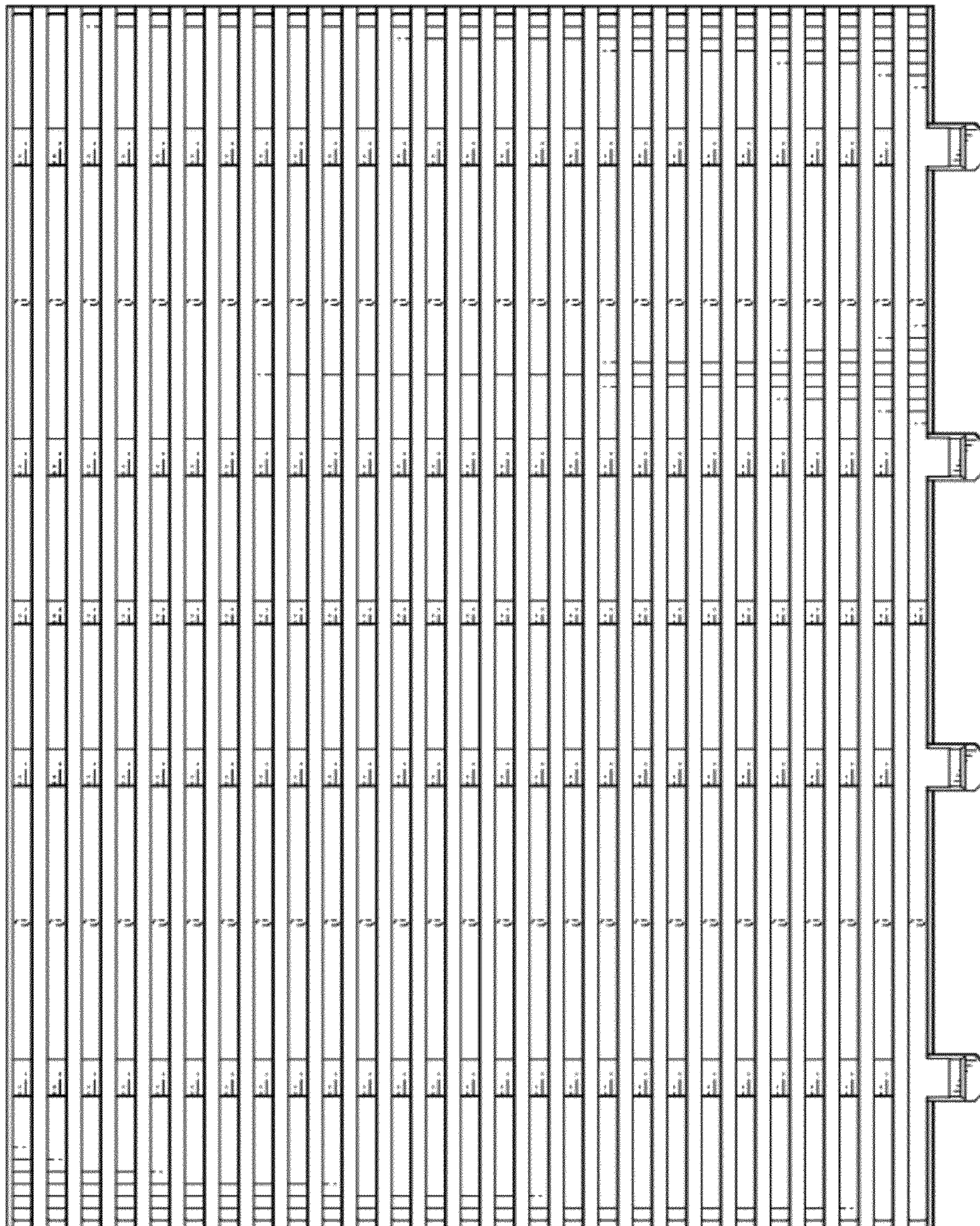


FIG. 4

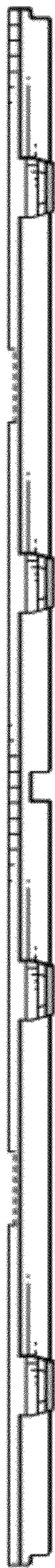


FIG. 5



FIG. 6



FIG. 7

