



US00D672888S

(12) **United States Design Patent**
Veryser

(10) **Patent No.:** **US D672,888 S**

(45) **Date of Patent:** **** Dec. 18, 2012**

(54) **WINDOW FRAME**

(76) **Inventor:** **Donald J. Veryser**, Grosse Pointe Woods, MI (US)

(**) **Term:** **14 Years**

(21) **Appl. No.:** **29/392,185**

(22) **Filed:** **May 18, 2011**

(51) **LOC (9) Cl.** **25-01**

(52) **U.S. Cl.** **D25/124**

(58) **Field of Classification Search** D25/124;
52/204.1, 204.5, 204.71; 49/501, DIG. 2
See application file for complete search history.

(56) **References Cited**

U.S. PATENT DOCUMENTS

2,456,486	A	12/1948	Berghoff	
3,429,075	A *	2/1969	Grossman	49/425
3,491,485	A *	1/1970	Orman	49/390
3,859,754	A *	1/1975	Budich et al.	49/425
4,282,919	A	8/1981	Teno	
4,470,222	A	9/1984	Killingsworth	
4,676,024	A	6/1987	Rossman	
4,706,729	A	11/1987	Sixsmith	
5,390,454	A	2/1995	Coddens	

D394,117	S *	5/1998	Goss	D25/124
6,055,782	A *	5/2000	Morton et al.	52/204.1
D598,140	S *	8/2009	Bergmann	D25/124

* cited by examiner

Primary Examiner — Doris Clark

(74) *Attorney, Agent, or Firm* — Young Basile

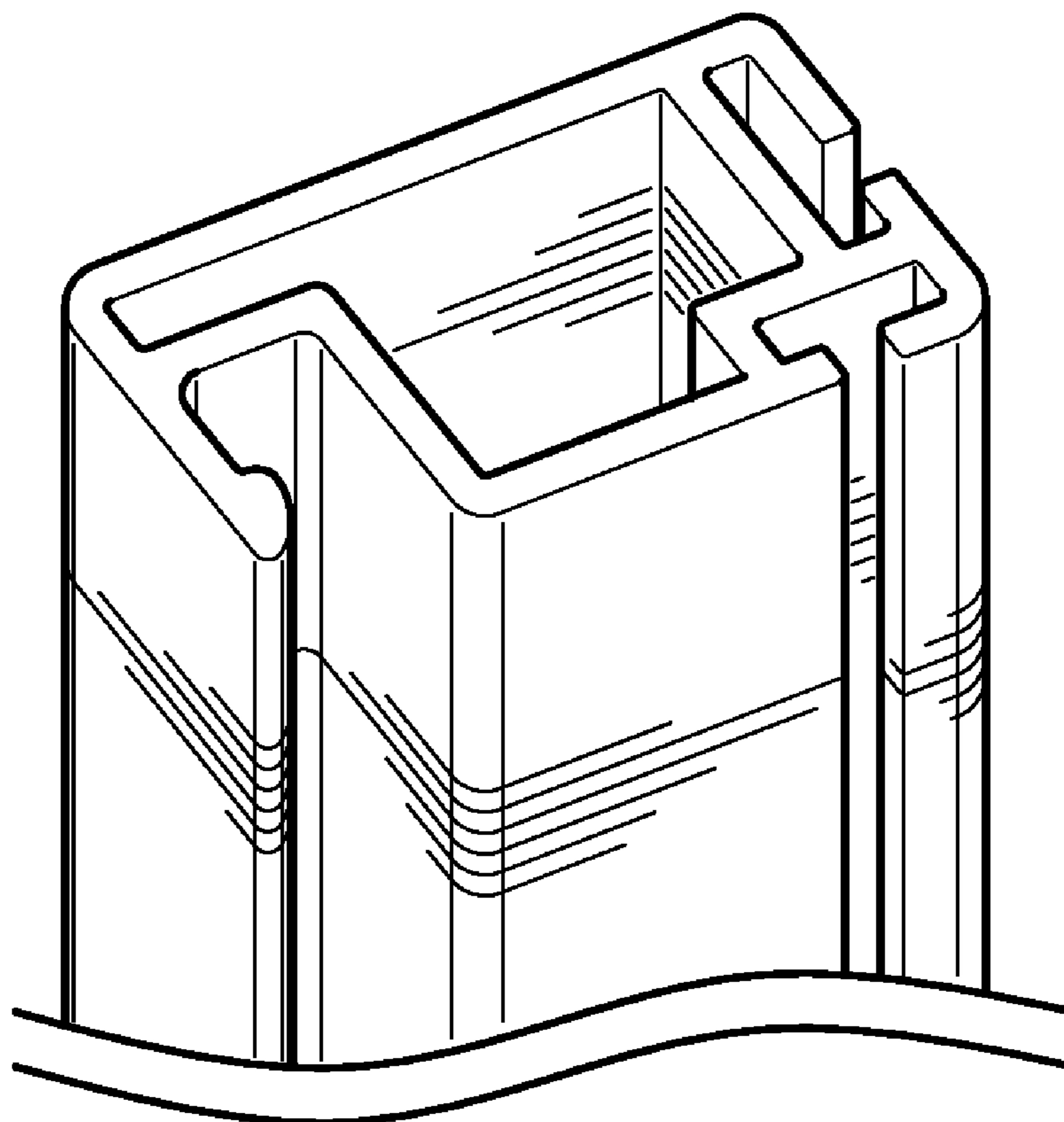
(57) **CLAIM**

I claim the ornamental design for a window frame, as shown and described.

DESCRIPTION

FIG. 1 is a perspective view of the window frame;
 FIG. 2 is a alternate perspective view of the window frame in FIG. 1;
 FIG. 3 is a left end view of the window frame;
 FIG. 4 is a right end view of the window frame;
 FIG. 5 is a top view of the window frame in FIG. 3;
 FIG. 6 is a bottom view of the window frame in FIG. 3;
 FIG. 7 is a left side view of the window frame in FIG. 3;
 FIG. 8 is a right side view of the window frame in FIG. 3; and,
 FIG. 9 is an alternate perspective view of the window frame in FIG. 1.

1 Claim, 3 Drawing Sheets



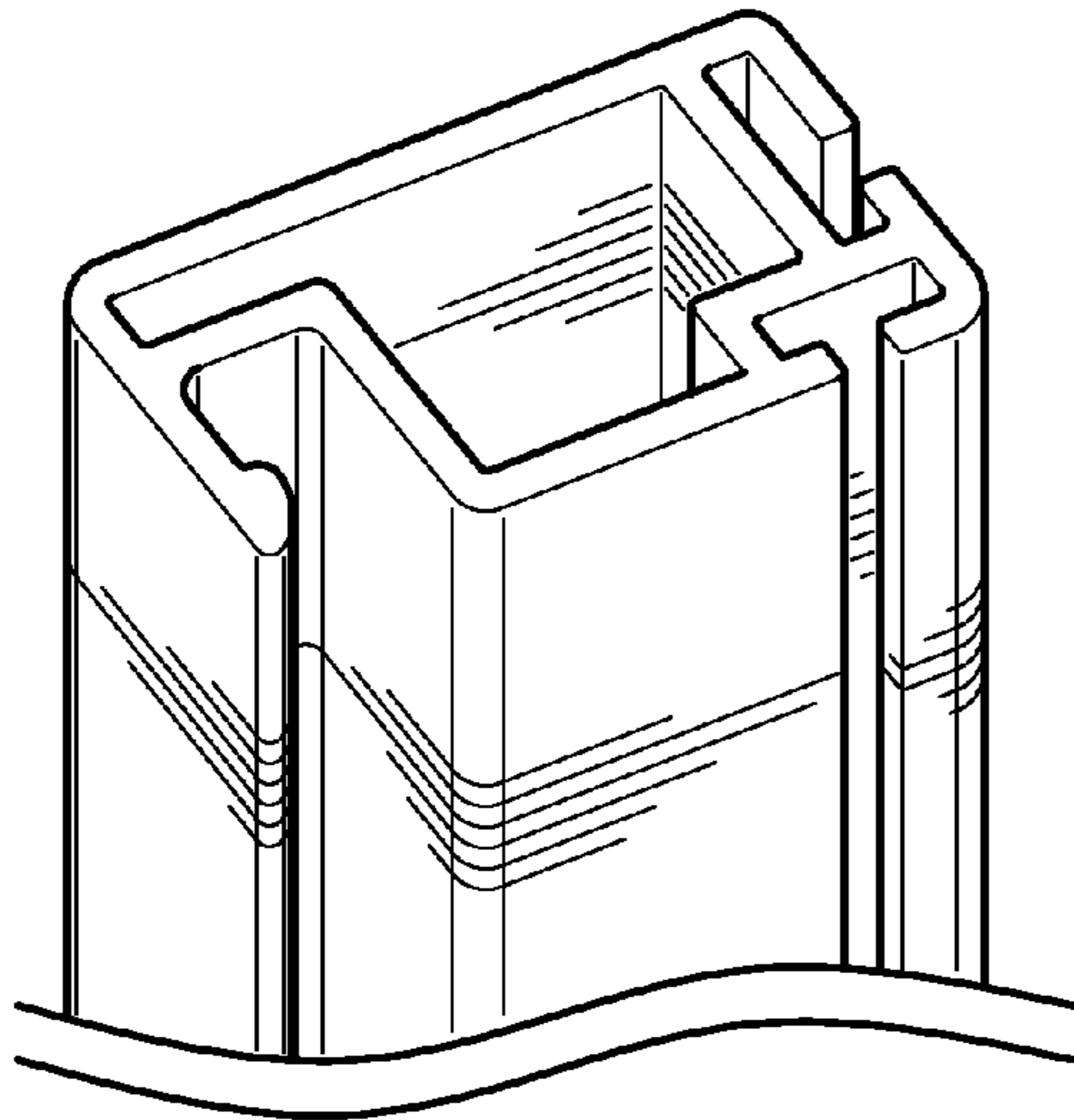


FIG. 1

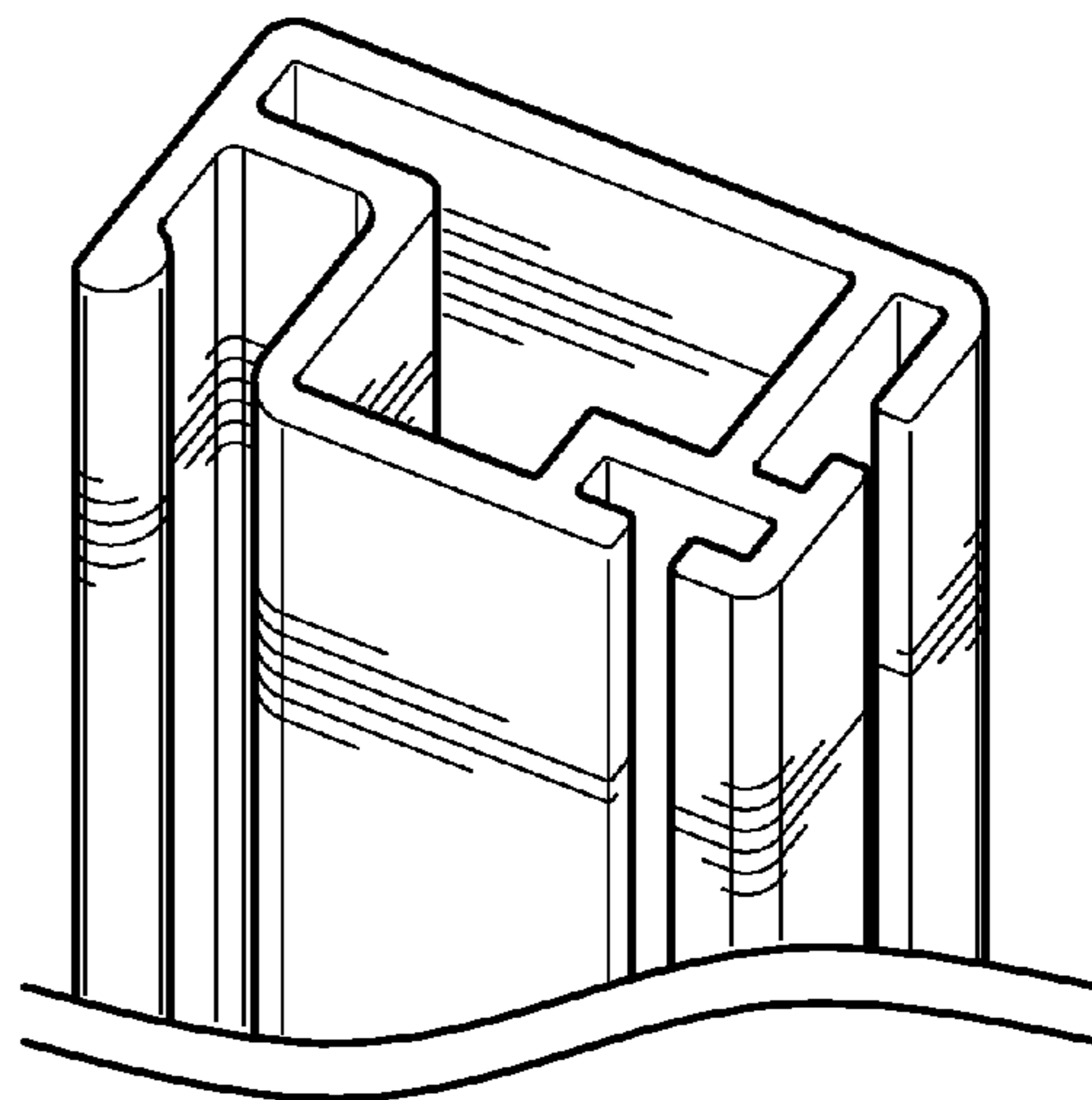


FIG. 2

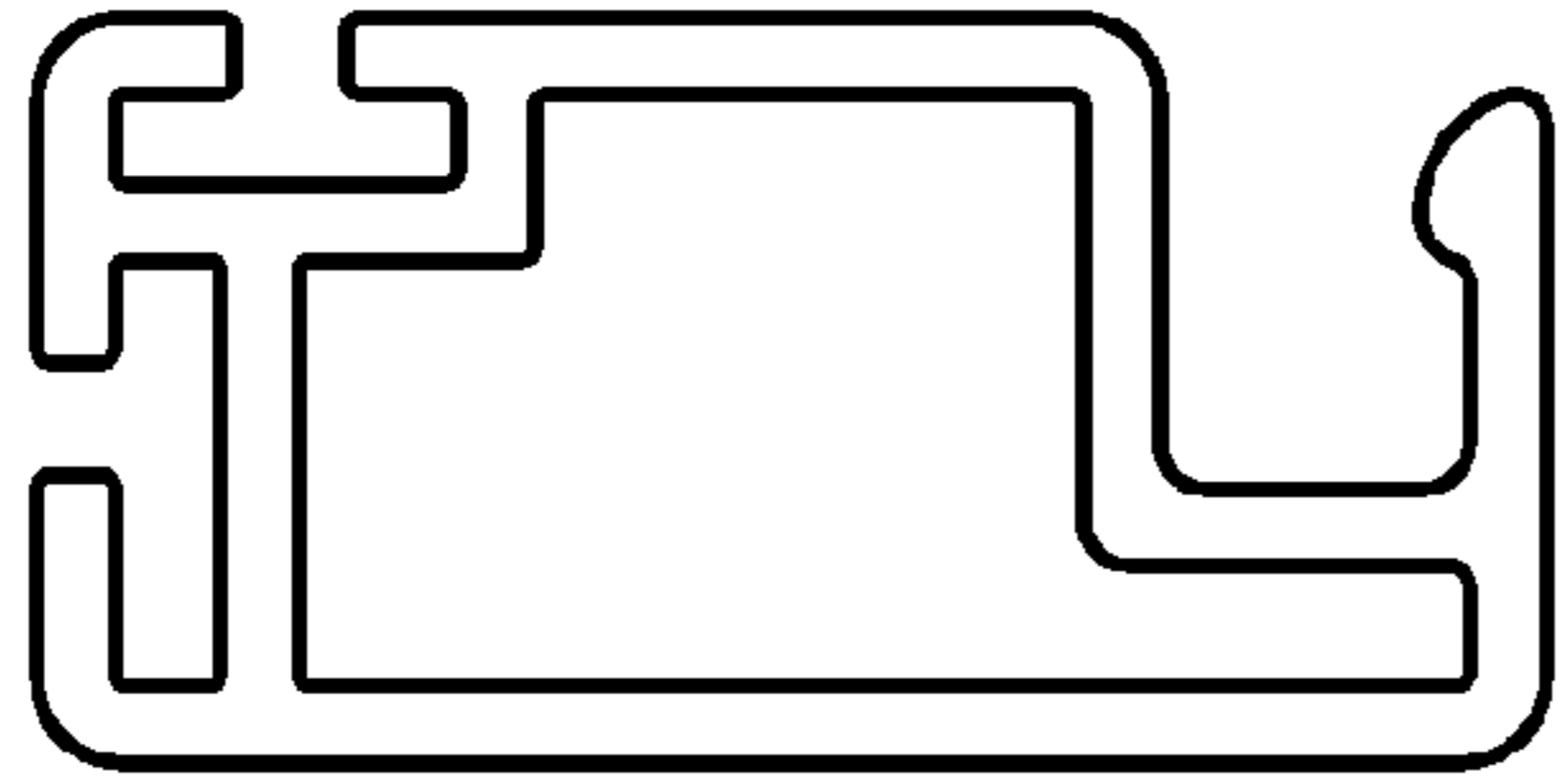


FIG. 3

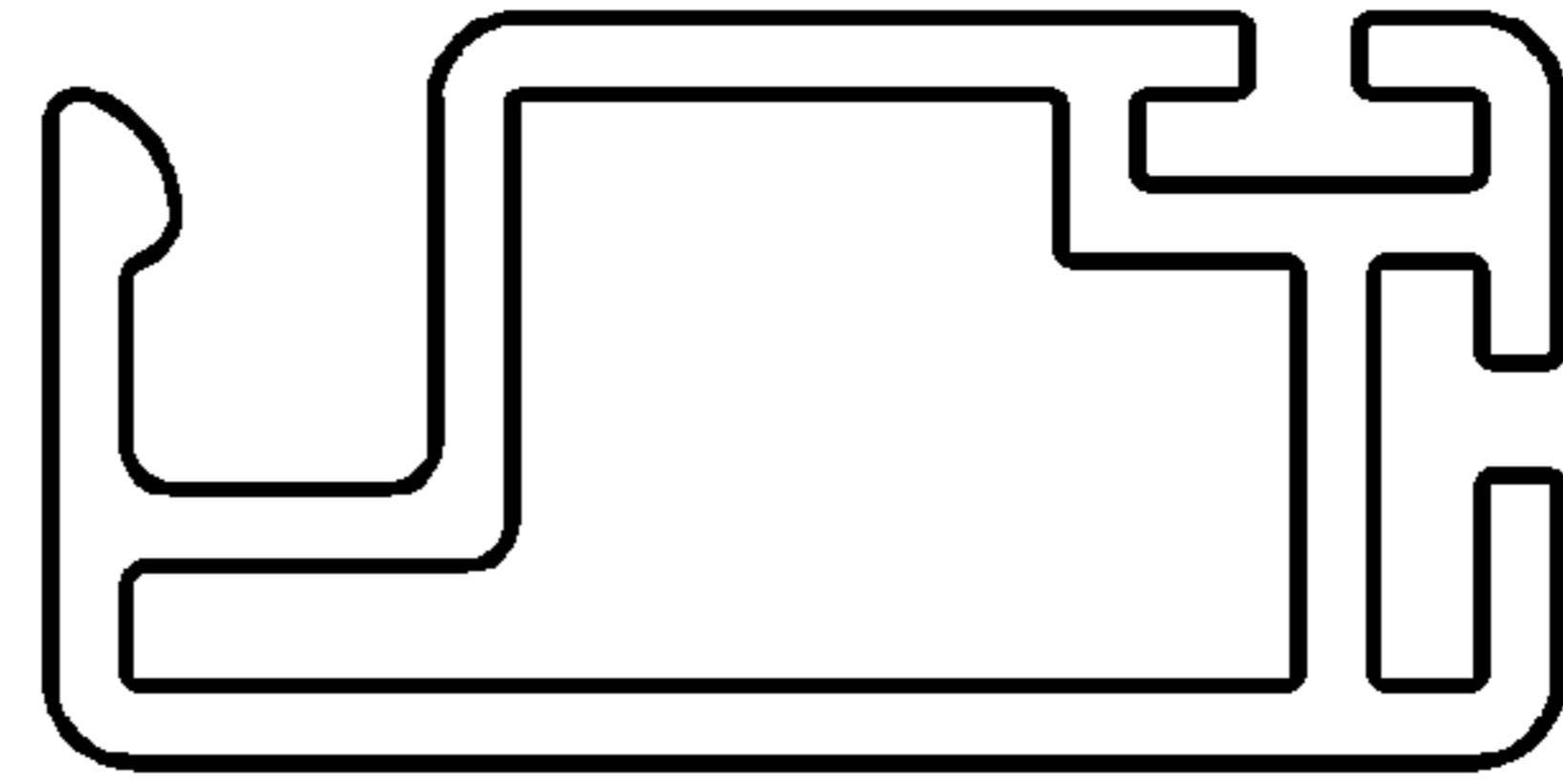


FIG. 4

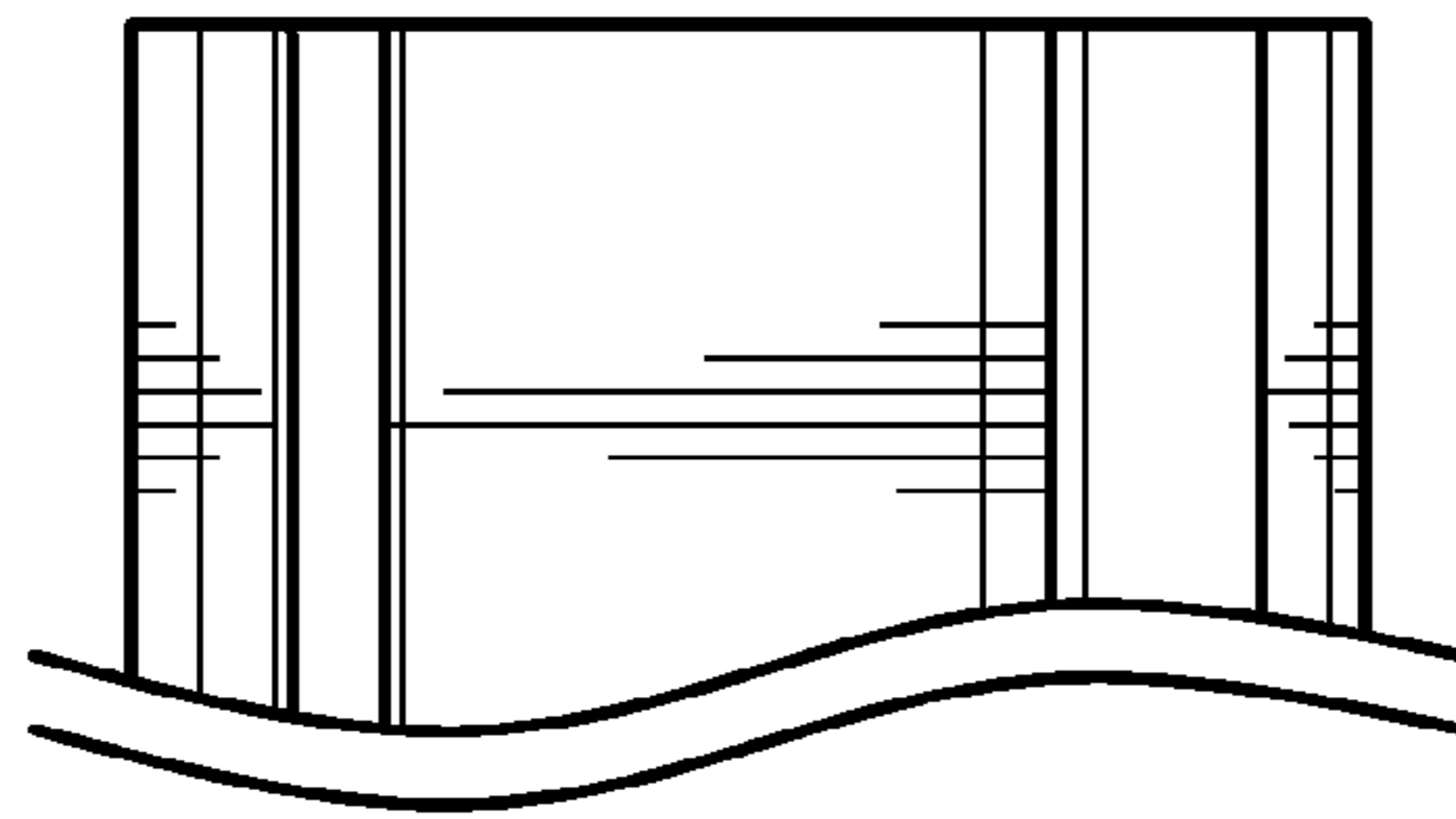


FIG. 5

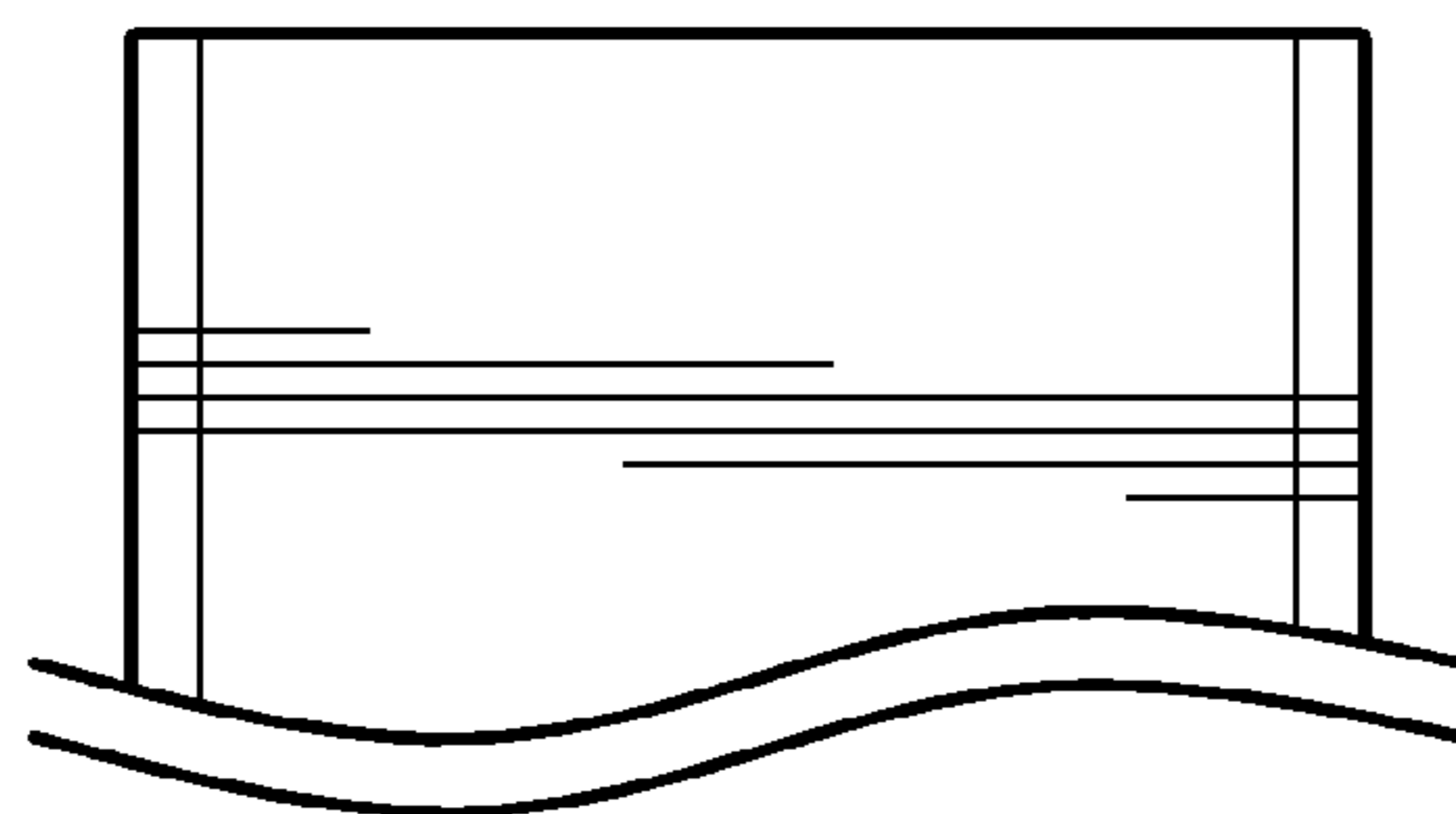


FIG. 6

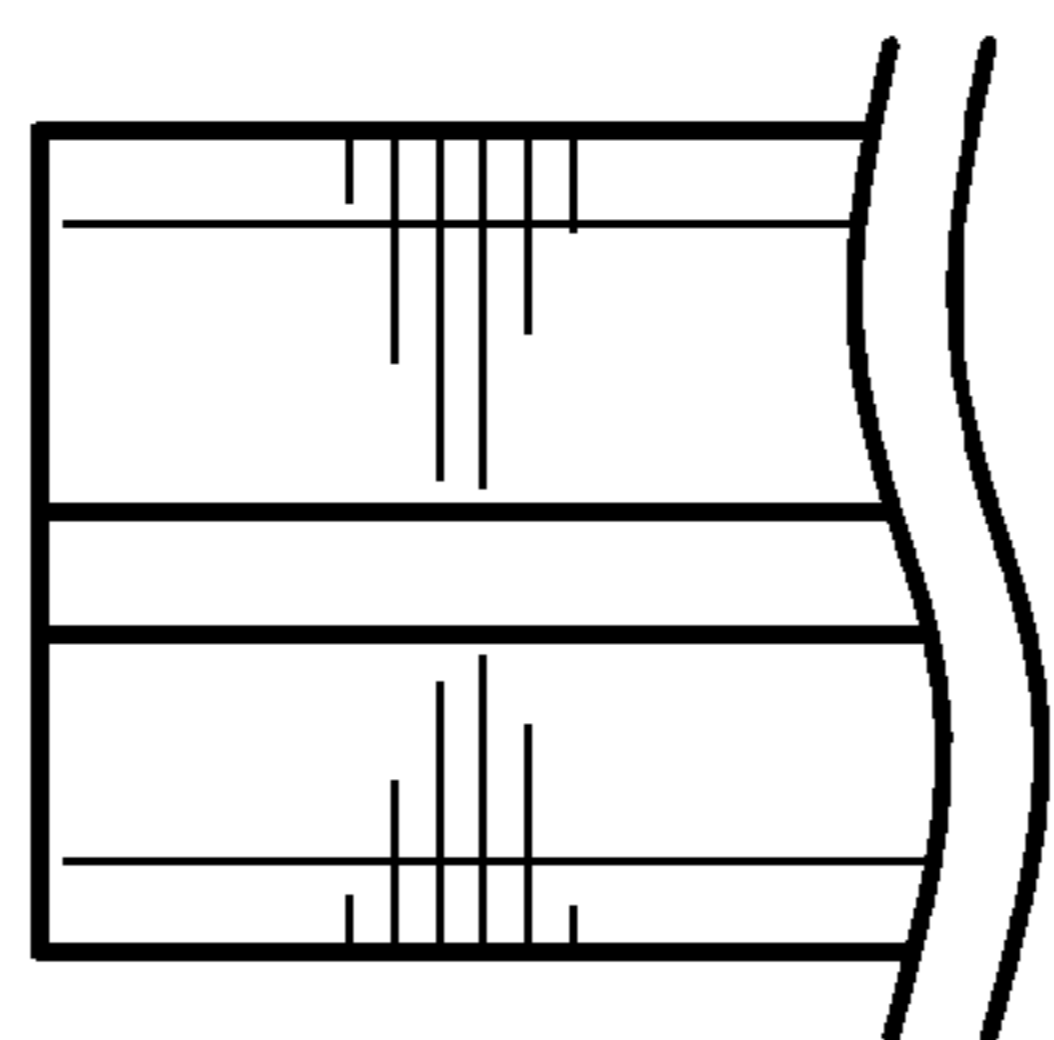


FIG. 7

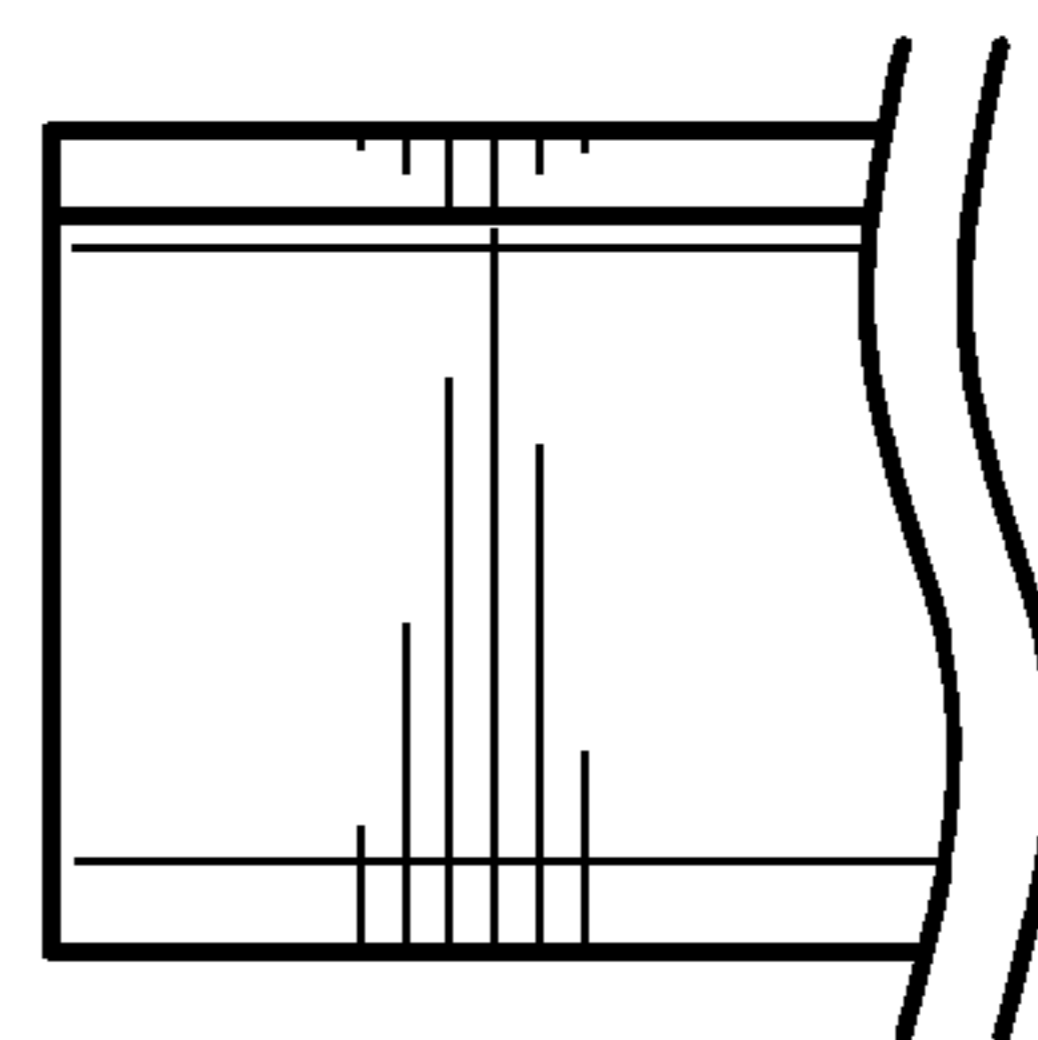


FIG. 8

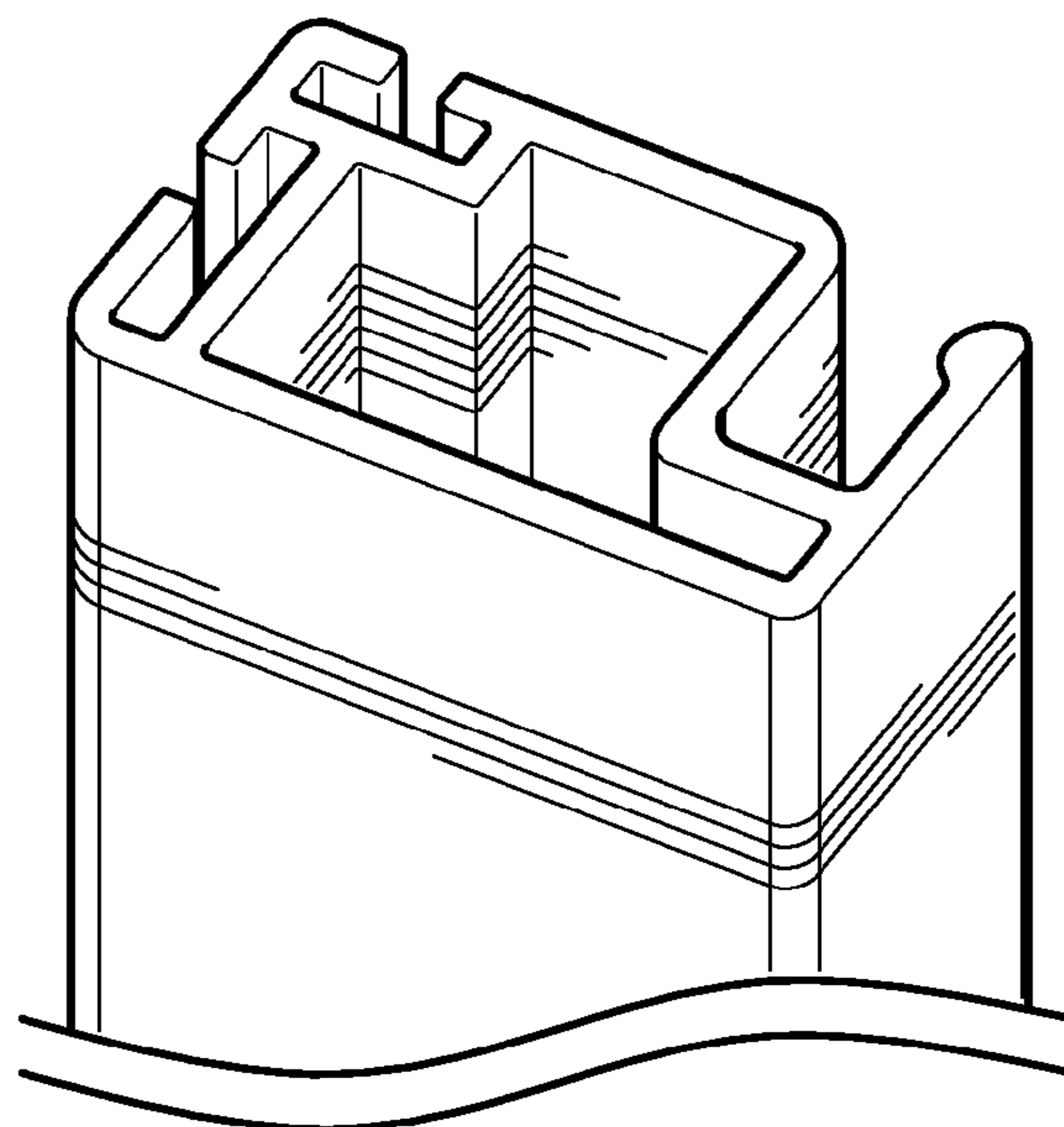


FIG. 9