



US00D672879S

(12) **United States Design Patent**  
**Hawkins**

(10) **Patent No.:** **US D672,879 S**

(45) **Date of Patent:** **\*\* Dec. 18, 2012**

(54) **SUCTION CUP BASE**

(76) Inventor: **Lee Kelvin Hawkins**, Virginia Beach,  
VA (US)

(\*\*) Term: **14 Years**

(21) Appl. No.: **29/411,564**

(22) Filed: **Jan. 23, 2012**

(51) **LOC (9) Cl.** ..... **24-02**

(52) **U.S. Cl.** ..... **D24/200**

(58) **Field of Classification Search** ..... D24/200,  
D24/213-215; 600/29, 38; 601/97; 128/845;  
248/74.1, 49; D8/354

See application file for complete search history.

(56) **References Cited**

**U.S. PATENT DOCUMENTS**

2,742,037	A *	4/1956	Svoren	.....	D24/213
D237,221	S *	10/1975	McNair	.....	D24/215
D248,569	S *	7/1978	Madl	.....	D24/214
5,072,901	A *	12/1991	Scott	.....	248/49
D326,722	S	6/1992	Sue		
D374,722	S	10/1996	Lossing et al.		
D375,364	S *	11/1996	Lazari	.....	D24/215
D403,428	S	12/1998	Russo		
6,032,669	A *	3/2000	Klein	.....	128/845
6,135,552	A *	10/2000	Waguri	.....	128/845
6,142,929	A *	11/2000	Padgett	.....	600/38
D466,218	S	11/2002	Dalton et al.		
D521,851	S *	5/2006	Smart	.....	D8/354

7,124,759	B2 *	10/2006	Blakesley et al.	.....	128/845
D543,633	S	5/2007	McCaffrey		
D545,444	S	6/2007	Cianfrani		
D569,006	S	5/2008	Imboden et al.		
7,441,731	B2 *	10/2008	Smart et al.	.....	248/74.1
D586,470	S	2/2009	Warder		
7,524,283	B1 *	4/2009	Johnstone, II	.....	600/38
7,607,619	B2 *	10/2009	Smart et al.	.....	248/74.1
D615,662	S	5/2010	Turner		
D621,944	S	8/2010	Astin		
2007/0214572	A1	9/2007	Buben		

\* cited by examiner

*Primary Examiner* — David Muller

(74) *Attorney, Agent, or Firm* — QuickPatents, Inc.; Kevin Prince

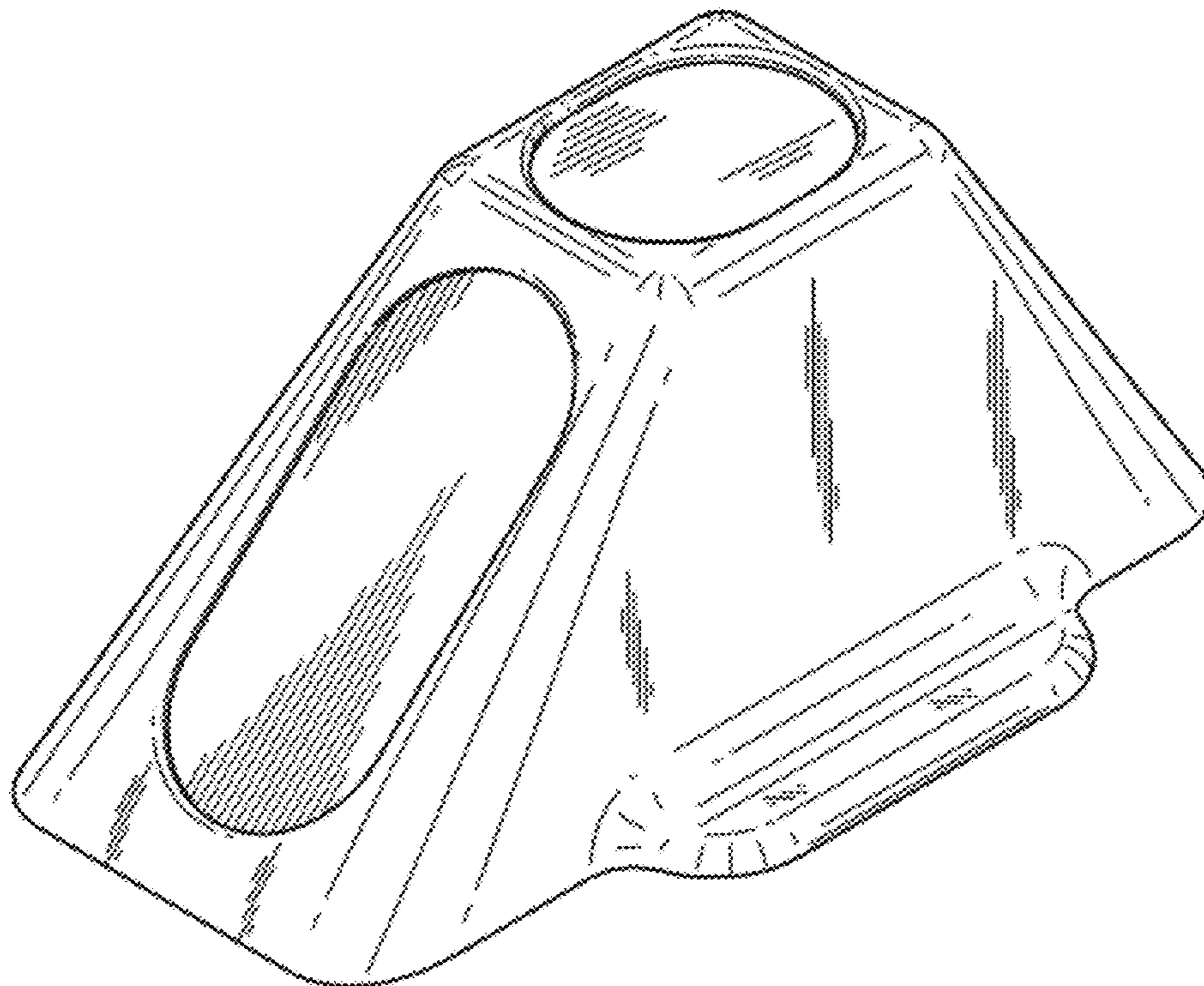
(57) **CLAIM**

I claim the ornamental design for a suction cup base, as shown and described.

**DESCRIPTION**

FIG. 1 is a perspective view of a suction cup base, showing my new design;  
FIG. 2 is a left-side elevational view thereof, the right-side elevational view being a mirror image thereof;  
FIG. 3 is a top plan view thereof;  
FIG. 4 is a bottom plan view thereof;  
FIG. 5 is a front elevational view thereof; and,  
FIG. 6 is a rear elevational view thereof.

**1 Claim, 3 Drawing Sheets**



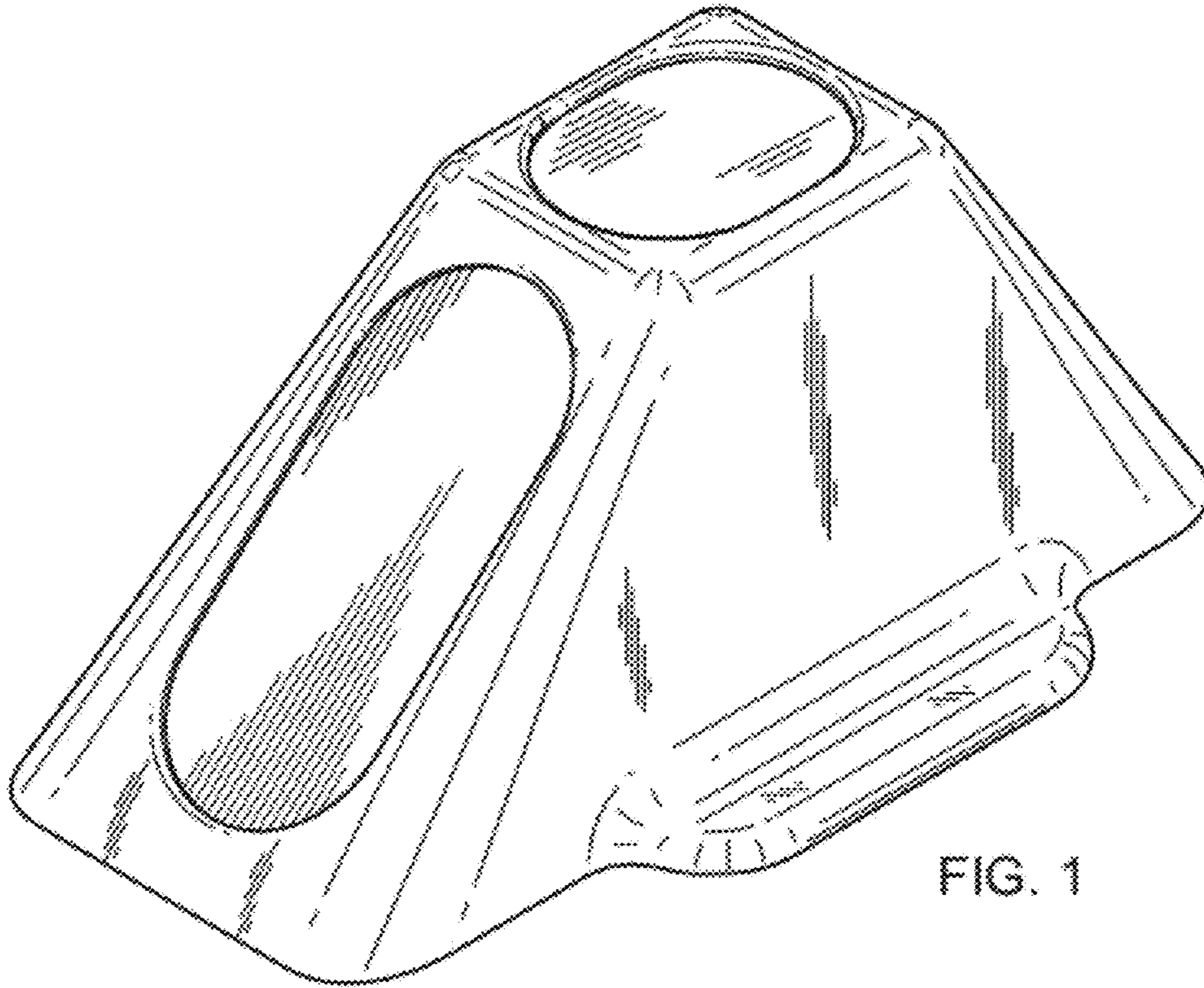


FIG. 1

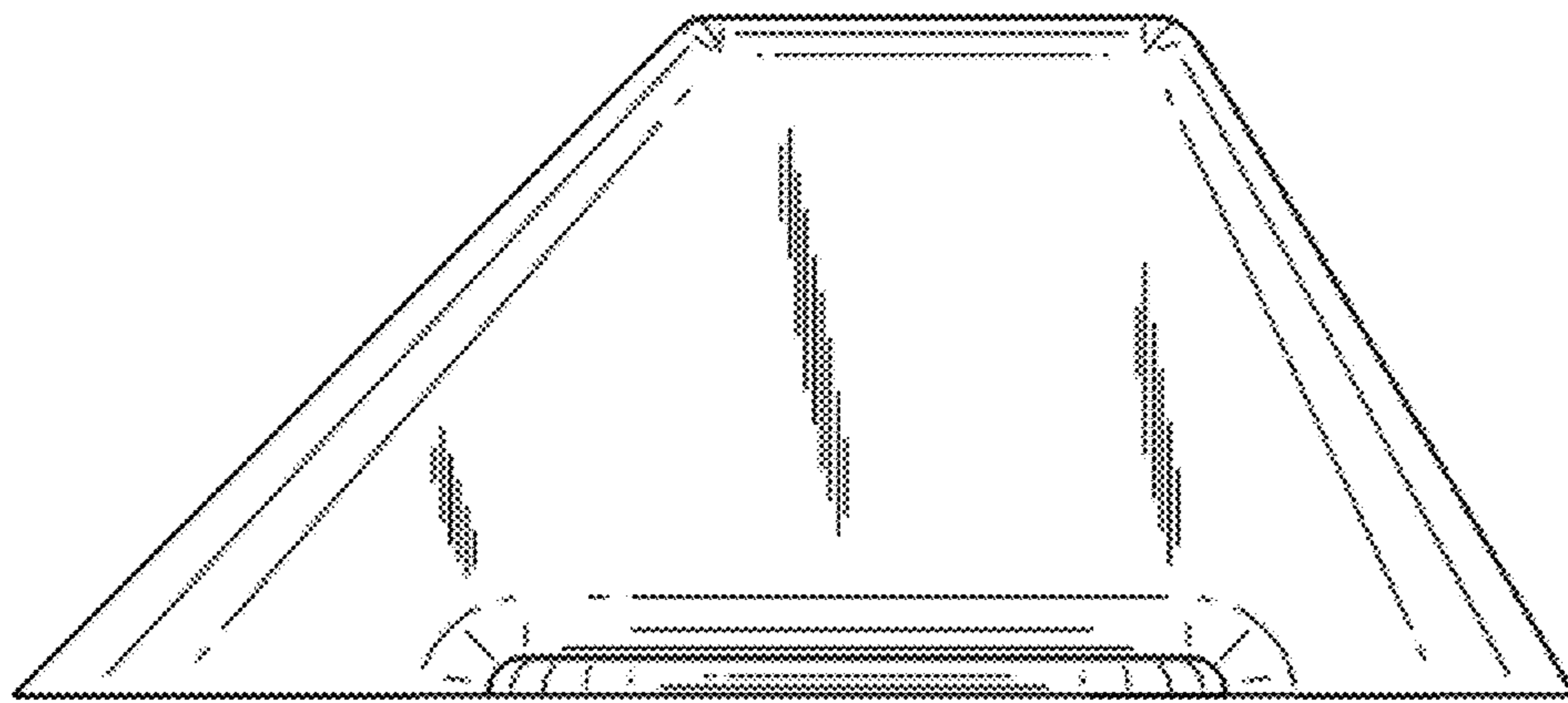


FIG. 2

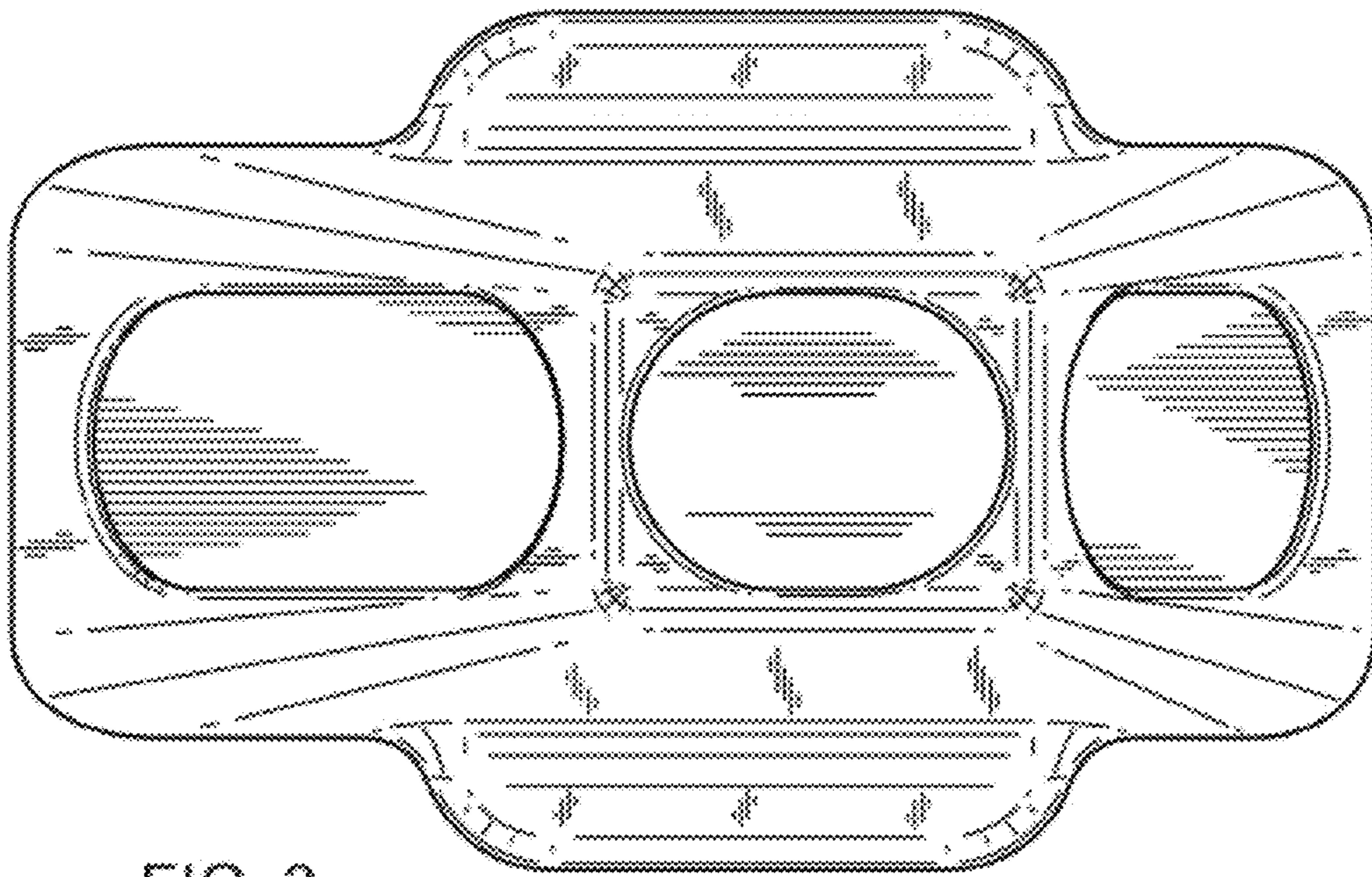


FIG. 3

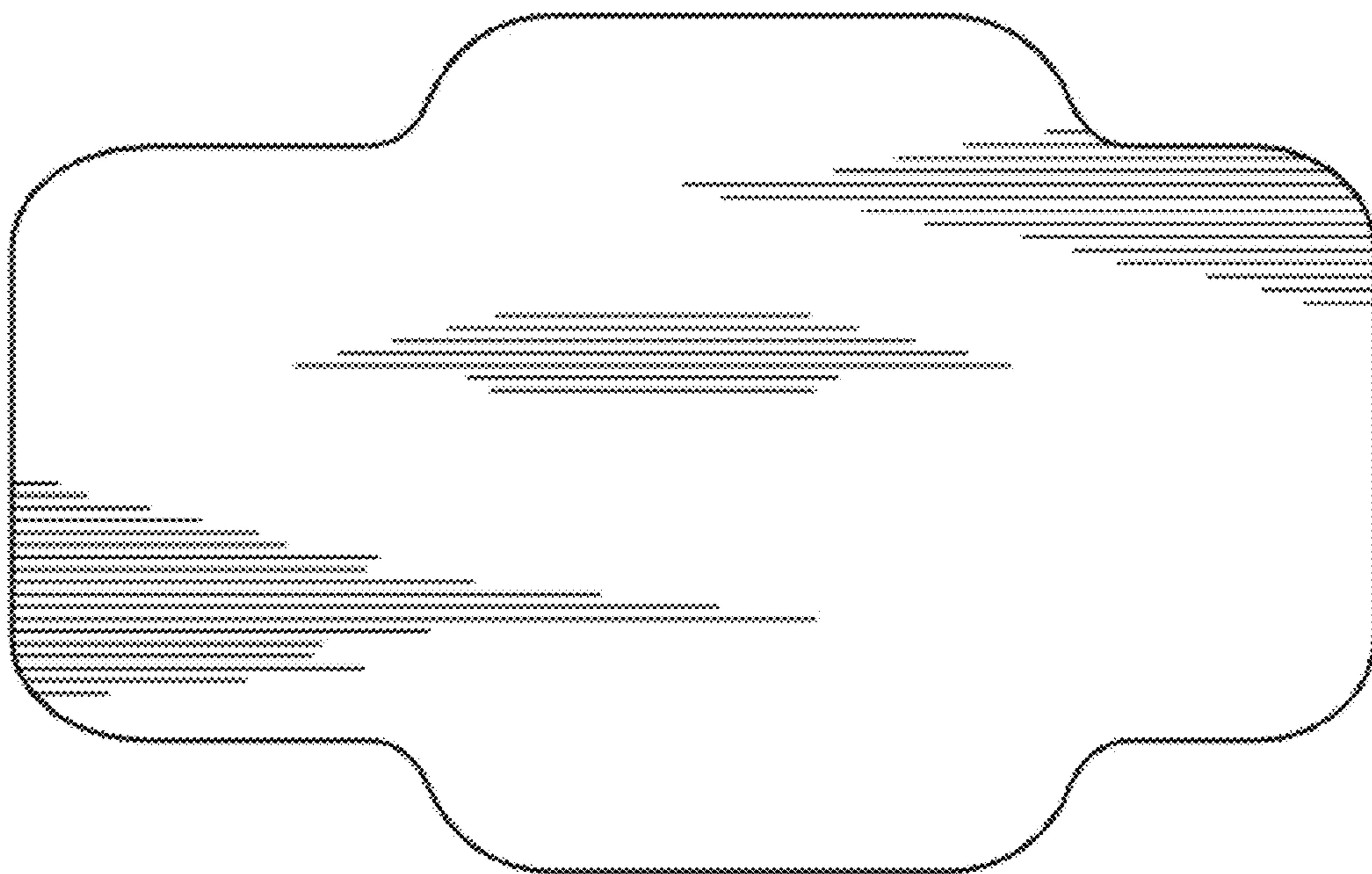


FIG. 4

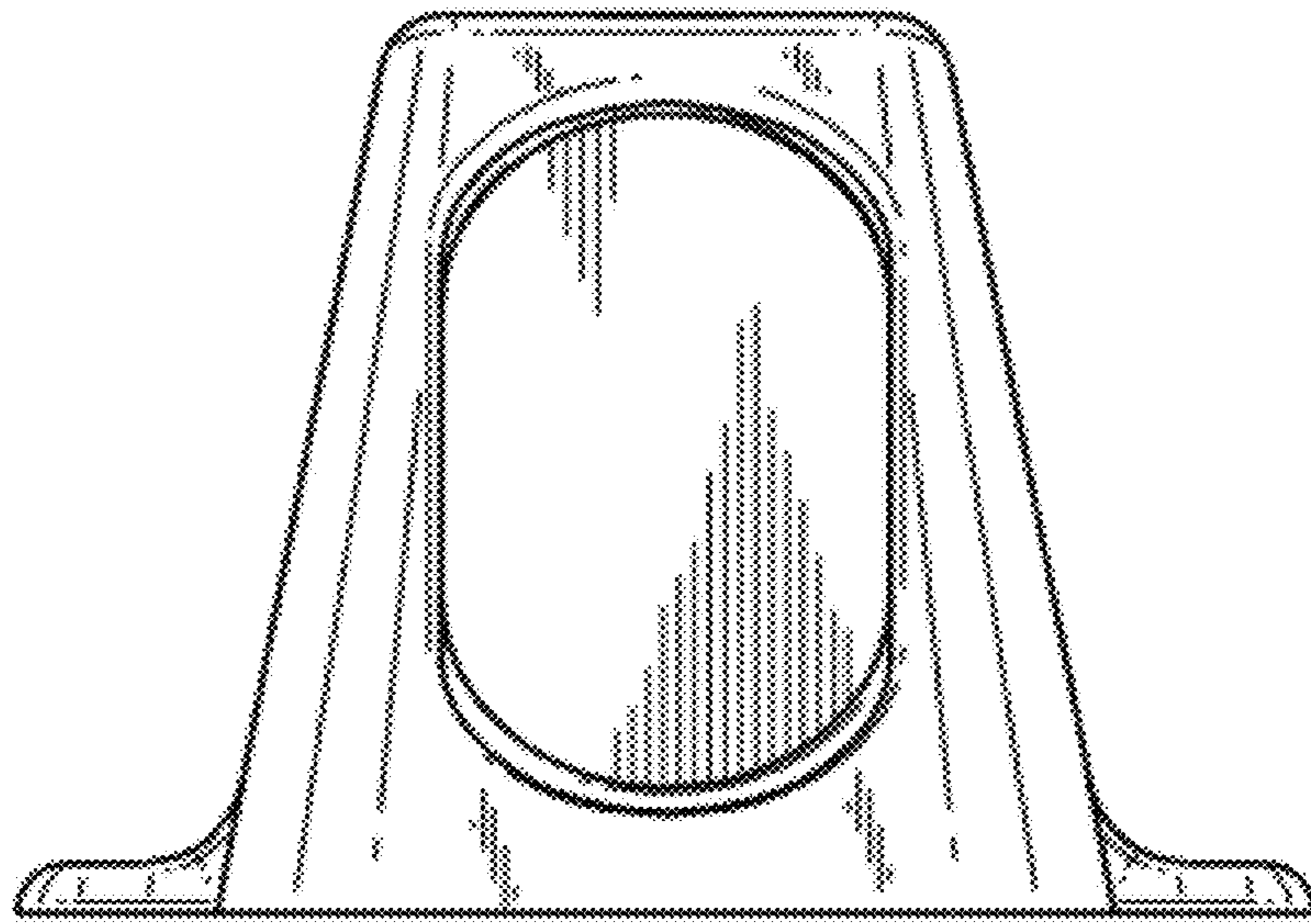


FIG. 5

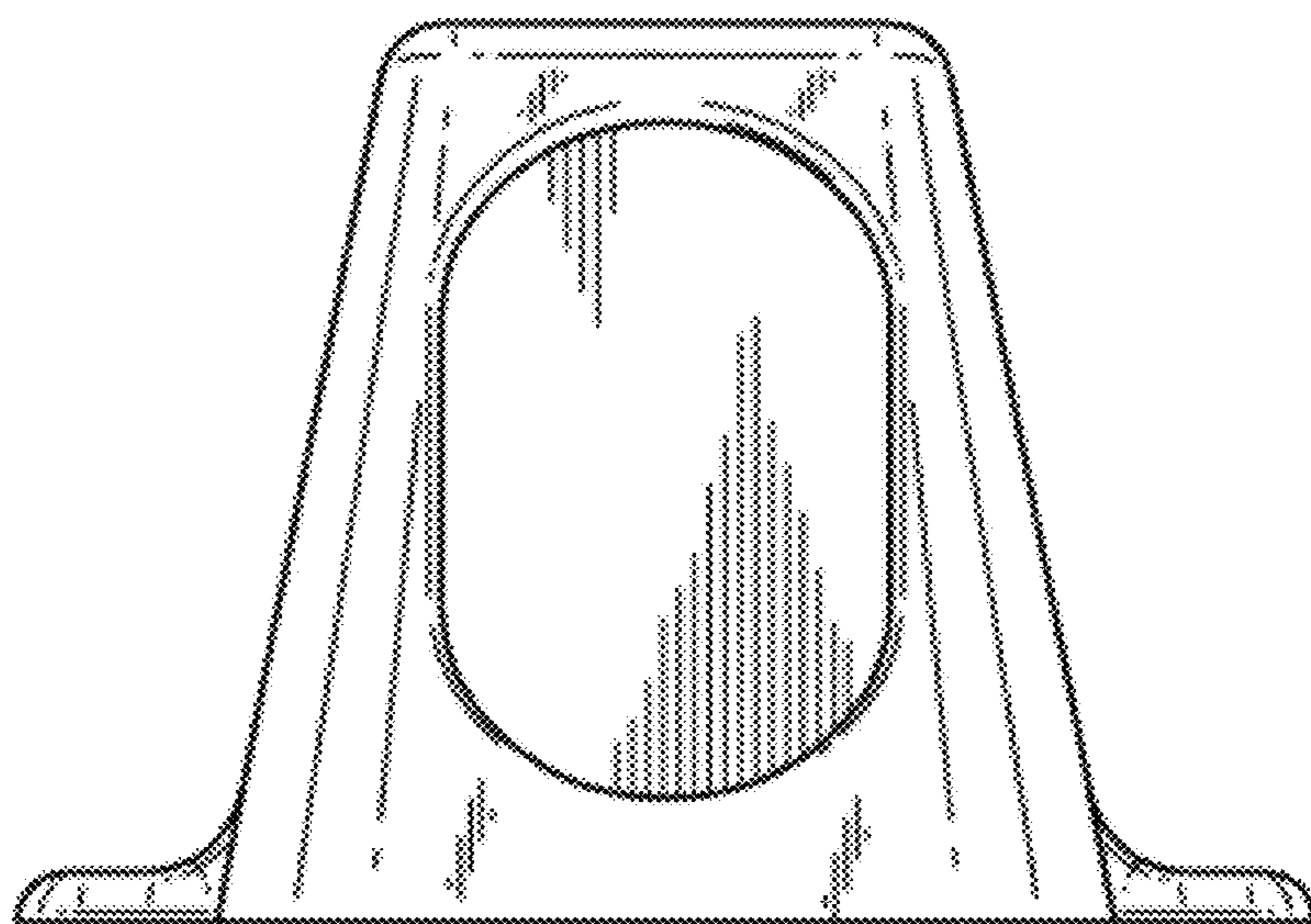


FIG. 6