



US00D672877S

(12) **United States Design Patent**
Schaet

(10) **Patent No.:** **US D672,877 S**
(45) **Date of Patent:** **** Dec. 18, 2012**

- (54) **IMAGING SAFETY STRAP ASSEMBLY**
- (76) Inventor: **Vicki Schaet**, Jacksonville, FL (US)
- (**) Term: **14 Years**
- (21) Appl. No.: **29/397,606**
- (22) Filed: **Jul. 19, 2011**
- (51) **LOC (9) Cl.** **24-01**
- (52) **U.S. Cl.** **D24/184**
- (58) **Field of Classification Search** D24/127–128,
D24/135, 143, 159, 169, 177–178, 183–184,
D24/231; D8/331, 382–383, 72, 343–344,
D8/349; D11/200, 218, 212; 5/601, 411,
5/424, 503.1, 621, 623, 648, 646, 484, 421;
128/869, 875–876, 878–879, 882, 898; 378/208;
600/102, 201, 228, 230–231, 421, 431; D29/101.1
See application file for complete search history.

(56) **References Cited**

U.S. PATENT DOCUMENTS

3,046,072	A *	7/1962	Douglass, Jr. et al.	5/646
3,160,143	A	12/1964	Gray	
3,166,671	A	1/1965	Morel	
3,358,141	A	12/1967	Hoffmann et al.	
3,814,414	A	6/1974	Chapa	
4,045,678	A	8/1977	Rickard	
4,069,813	A *	1/1978	Gilula	600/431
4,099,521	A *	7/1978	Nestor et al.	600/228
D251,440	S *	3/1979	Inoue	D24/169
D253,320	S *	11/1979	Adams	D11/218
D262,237	S *	12/1981	Stauber	D24/128
D270,035	S *	8/1983	Pudwill	D8/382
4,484,571	A *	11/1984	Velazquez	5/601
4,699,132	A *	10/1987	Carville	128/876
D313,343	S *	1/1991	Sachs	D8/383
D314,359	S *	2/1991	Viglianti et al.	D11/212
5,038,799	A *	8/1991	Fowler et al.	128/878
D323,102	S *	1/1992	Kipling	D8/331
D324,010	S *	2/1992	Russell et al.	D29/101.1
D365,044	S *	12/1995	Anscher	D11/218
5,579,547	A	12/1996	Hunt	
5,742,664	A *	4/1998	Lindel	378/208
5,983,426	A *	11/1999	Vanek et al.	5/623
6,023,800	A *	2/2000	Stickley	5/621
D438,966	S *	3/2001	Koros et al.	D24/135

6,499,158	B1	12/2002	Easterling	
6,968,845	B2 *	11/2005	Dubats	128/875
7,082,631	B2 *	8/2006	Czop	5/484
D564,407	S *	3/2008	Beck	D11/200
D576,075	S *	9/2008	Freeman	D11/218
D584,816	S *	1/2009	Koros et al.	D24/135
D592,304	S *	5/2009	Kuehfuss	D24/128
7,857,271	B2 *	12/2010	Lees	5/648

(Continued)

Primary Examiner — T. Chase Nelson

Assistant Examiner — Mark Cavanna

(74) *Attorney, Agent, or Firm* — Lawrence J. Gibney, Jr.

(57) **CLAIM**

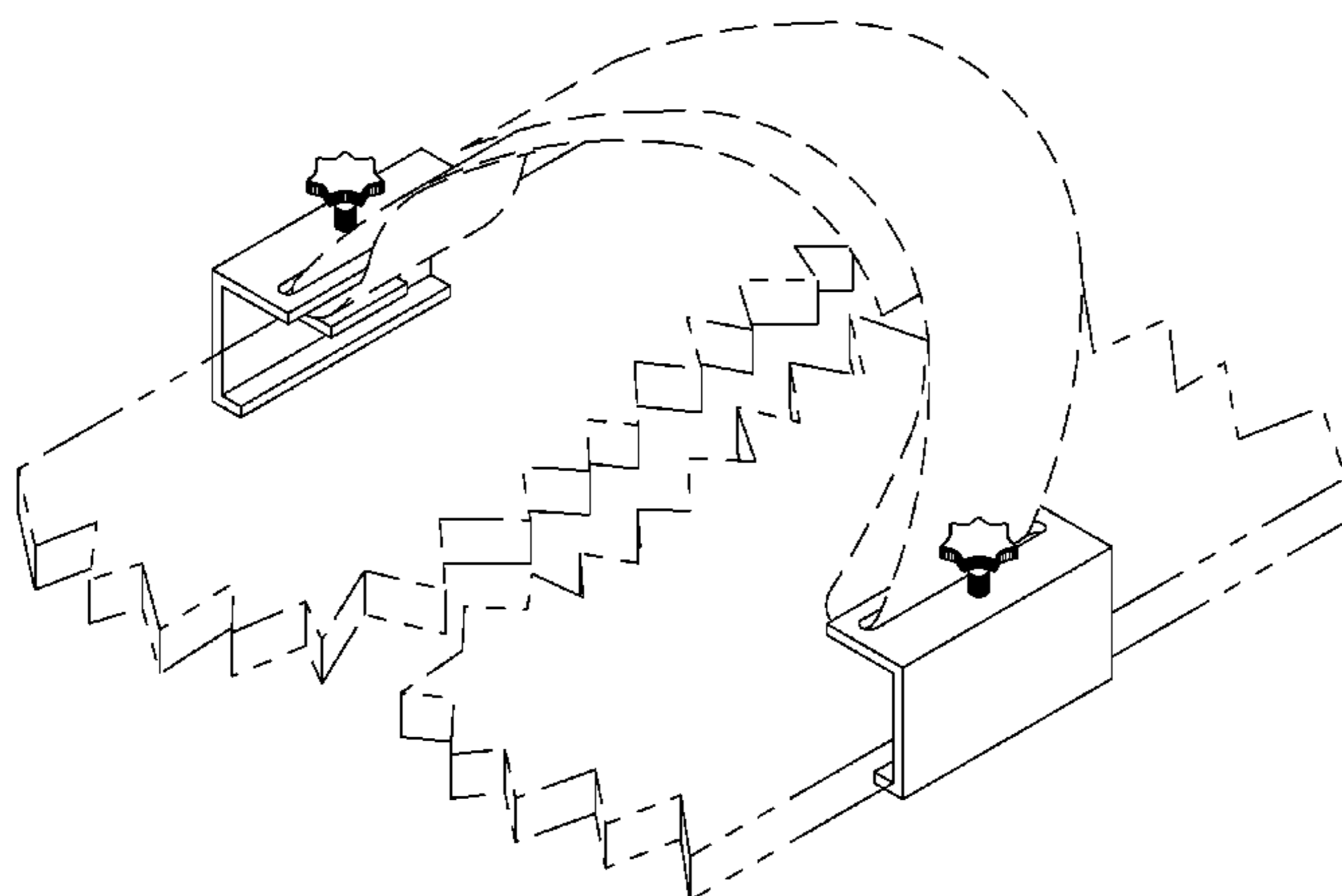
The ornamental design for an imaging safety strap assembly, as shown and described.

DESCRIPTION

FIG. 1 is an isometric view of an imaging safety strap assembly showing my new design;
 FIG. 2 is an exploded isometric view showing one of each of the following components: handle, bracket, plate, and screw;
 FIG. 3 is an isometric view of the bracket shown separately for clarity of illustration;
 FIG. 4 is a top view thereof;
 FIG. 5 is a right side view thereof;
 FIG. 6 is a front view thereof;
 FIG. 7 is an isometric view of the handle shown separately for clarity of illustration;
 FIG. 8 is a side view thereof;
 FIG. 9 is a bottom view thereof;
 FIG. 10 is an isometric view of the bottom plate shown separately for clarity of illustration;
 FIG. 11 is a top view thereof;
 FIG. 12 is a front view thereof;
 FIG. 13 is a side view thereof; and,
 FIG. 14 is an assembled cross-sectional view of the handle, bracket and plate.

The broken lines are included for the purpose of illustrating portions of the imaging safety strap assembly that form no part of the claimed design.

1 Claim, 6 Drawing Sheets



US D672,877 S

Page 2

U.S. PATENT DOCUMENTS

D631,787 S *	2/2011	Grimm et al.	D11/218	2008/0251088 A1 *	10/2008	Hopper	128/869
7,913,337 B1	3/2011	Masson		2009/0049611 A1	2/2009	Braunreuther et al.	
8,249,688 B2 *	8/2012	Bollenbeck et al.	600/421	2009/0090370 A1 *	4/2009	Bernstein	128/845
2003/0205176 A1	11/2003	Kolody et al.		2009/0173354 A1	7/2009	Gold	
2007/0022536 A1	2/2007	Hornig					

* cited by examiner

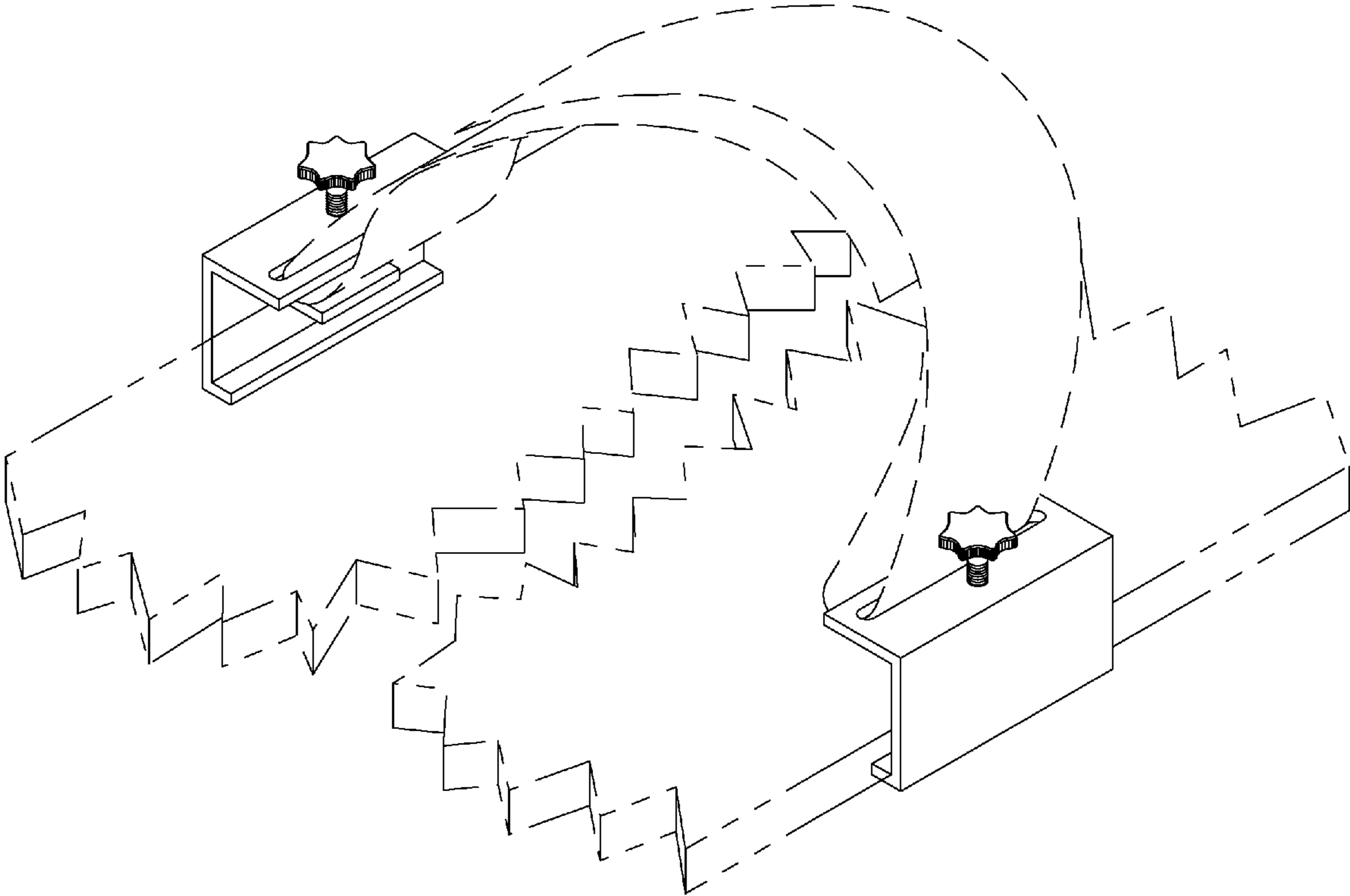


FIG. 1

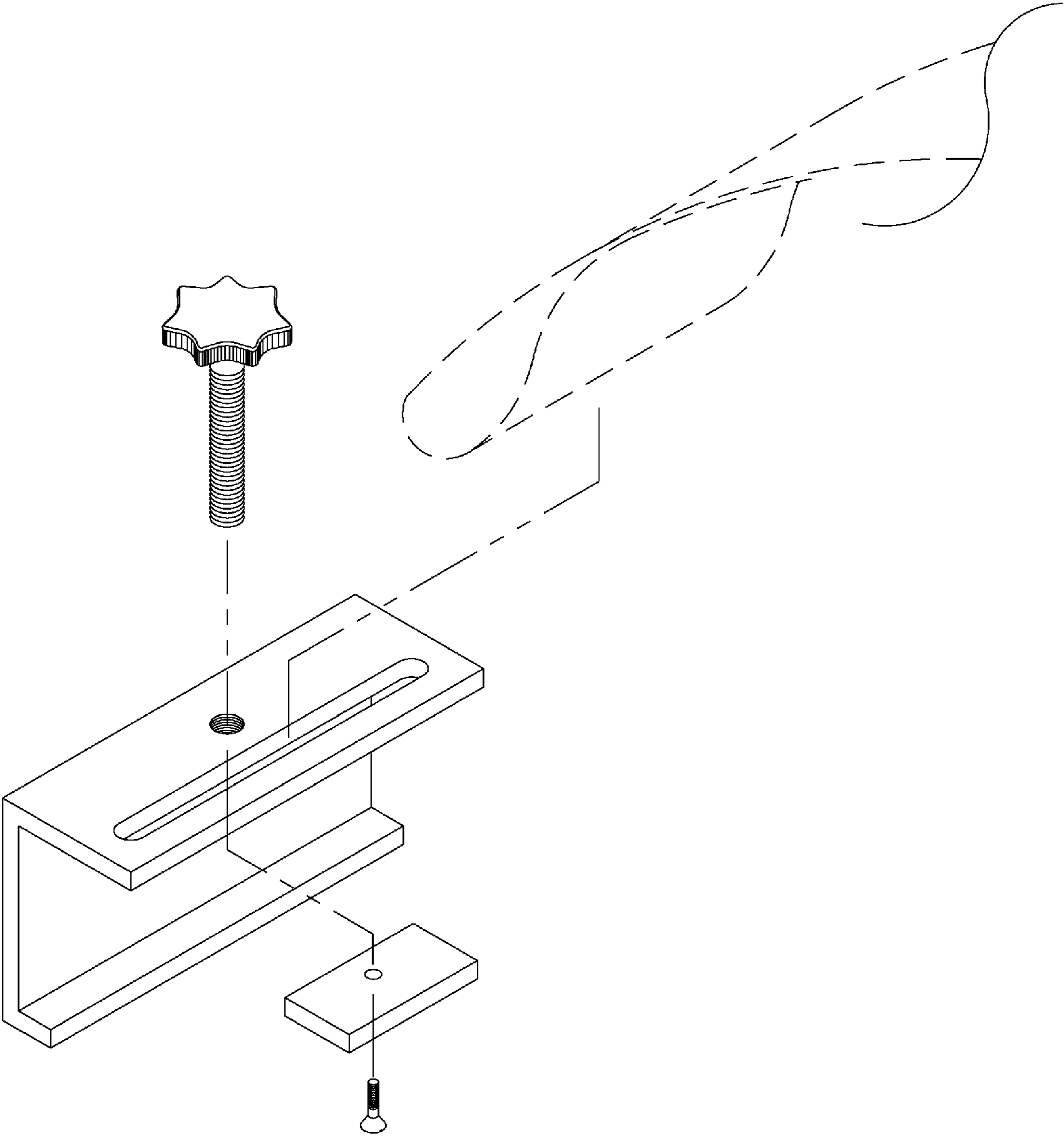


FIG. 2

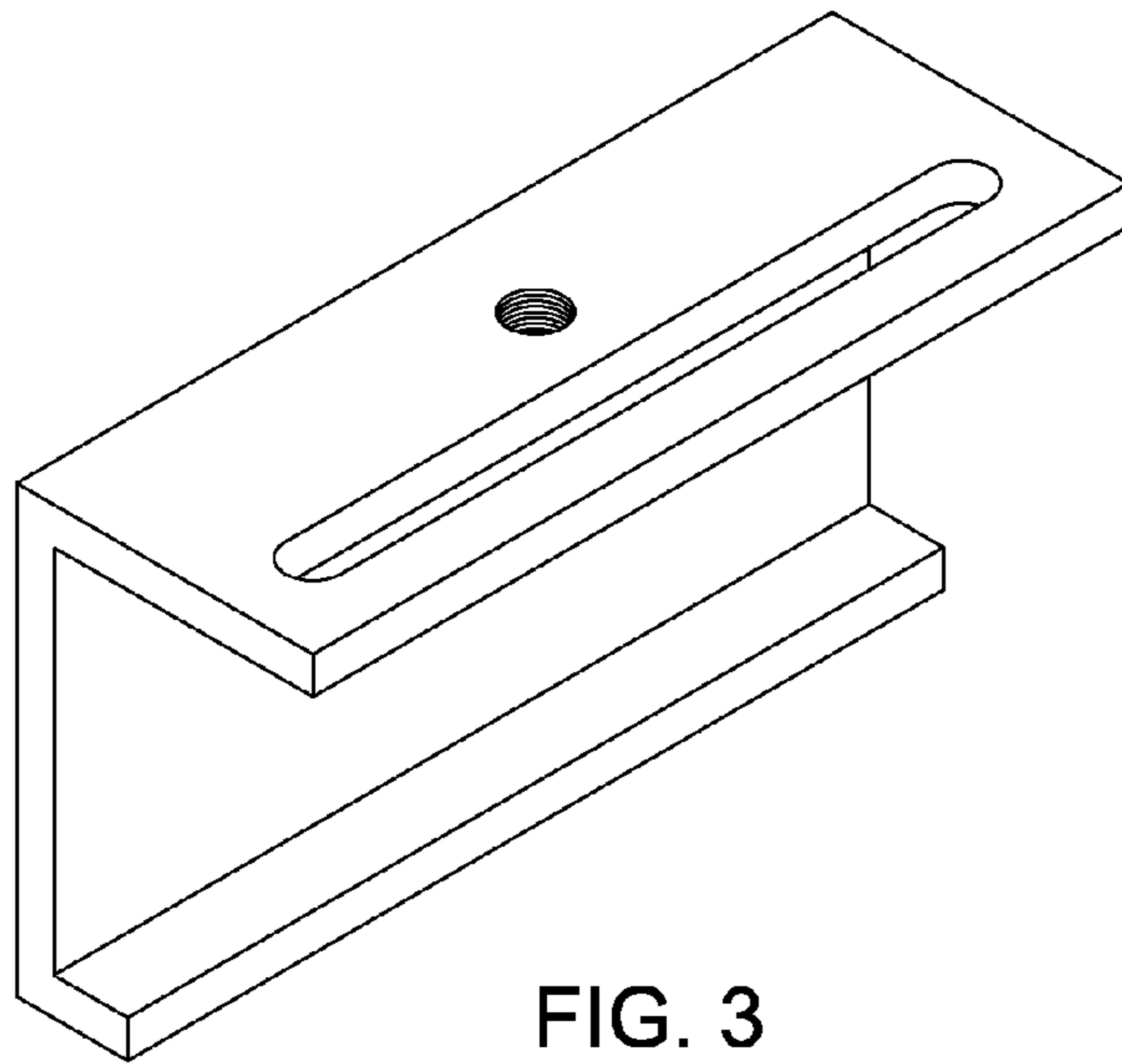


FIG. 3

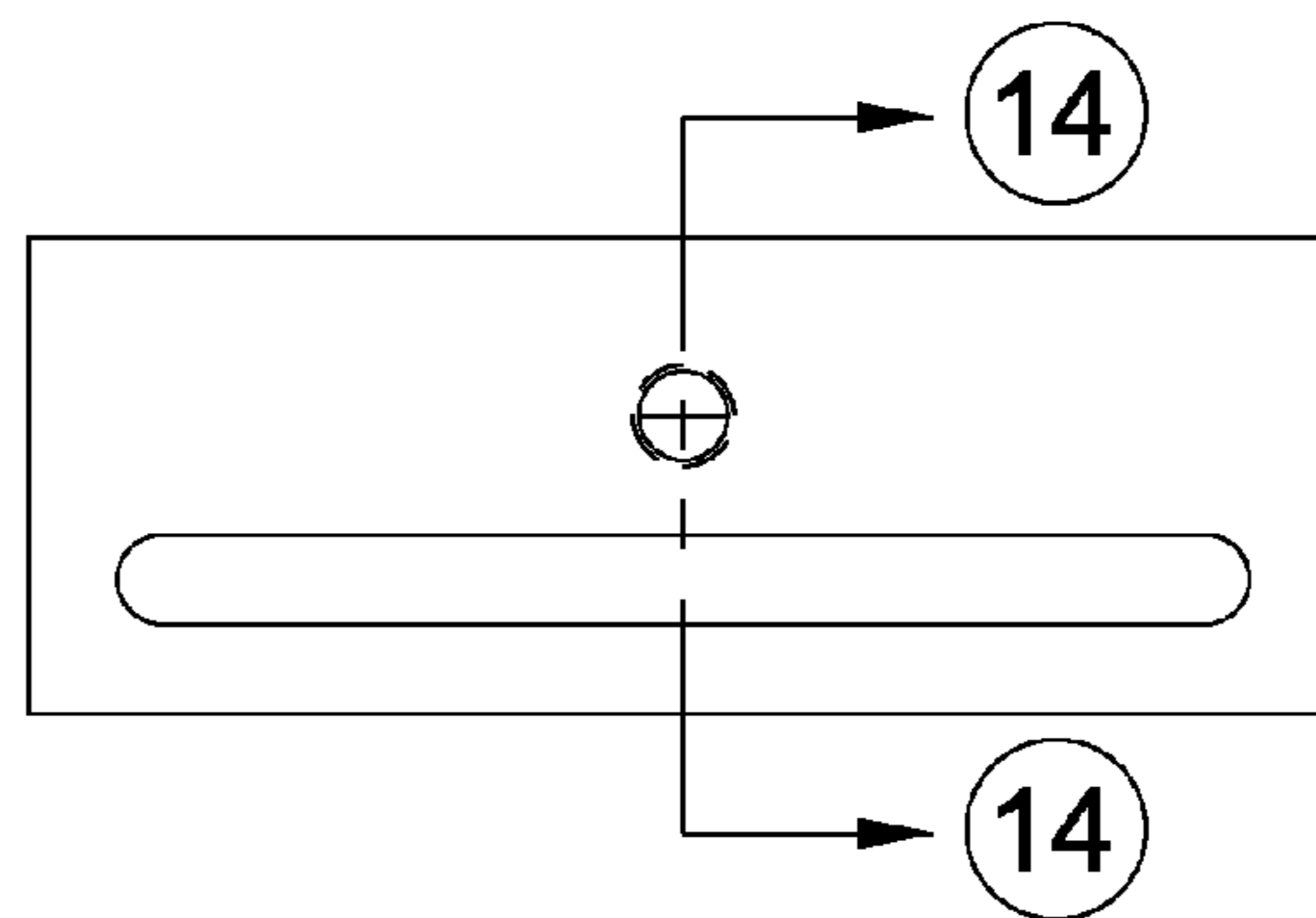


FIG. 4

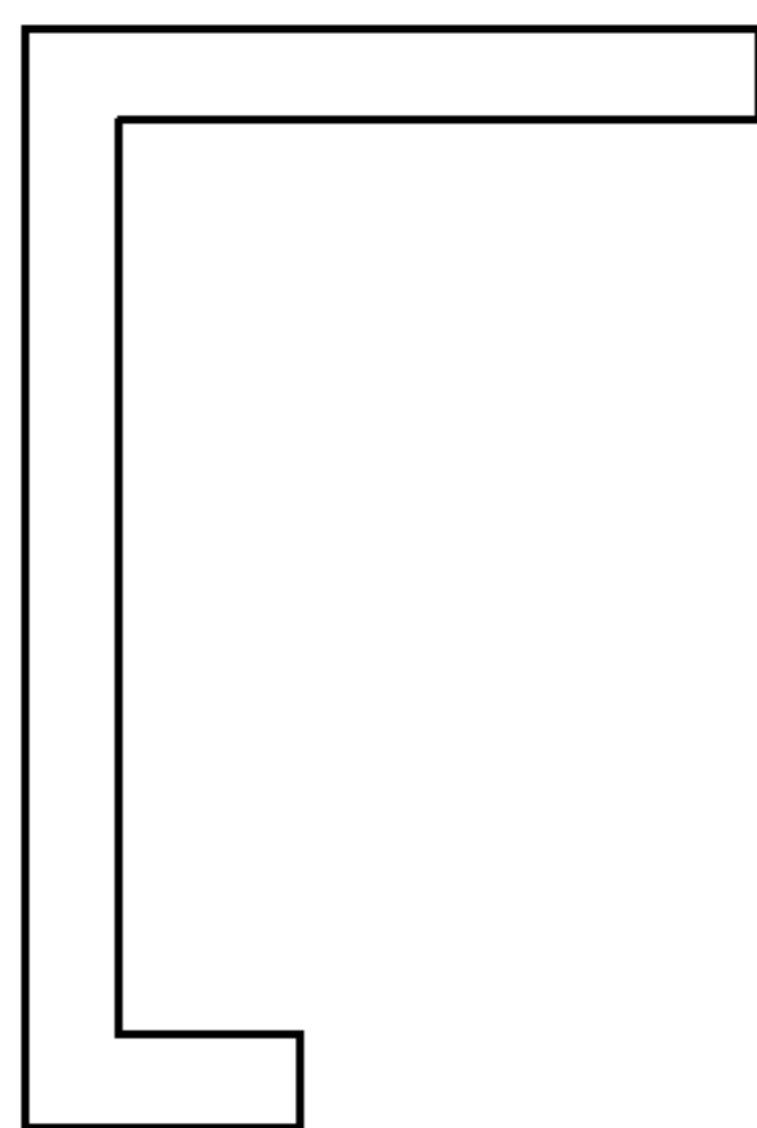


FIG. 5

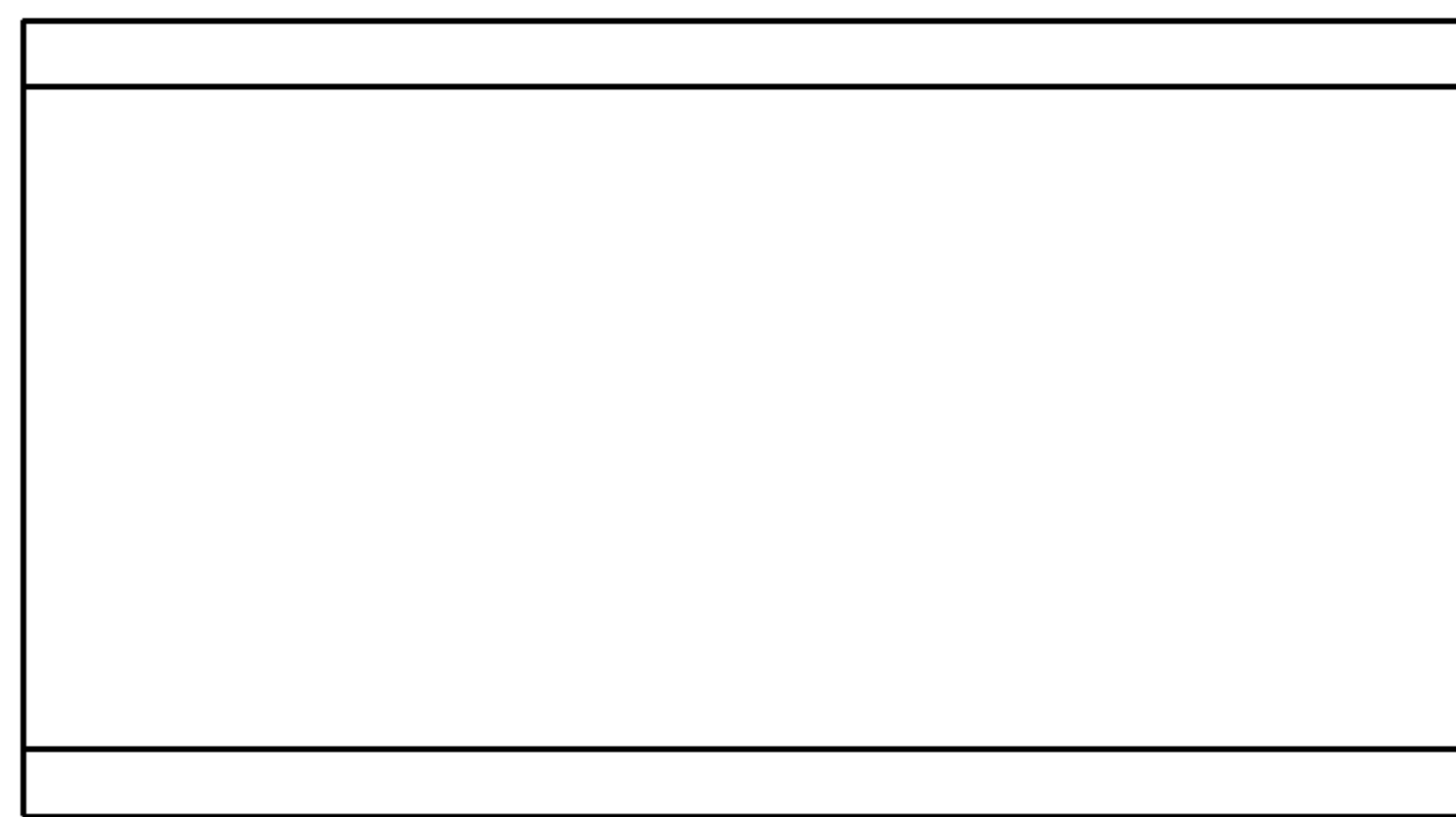


FIG. 6

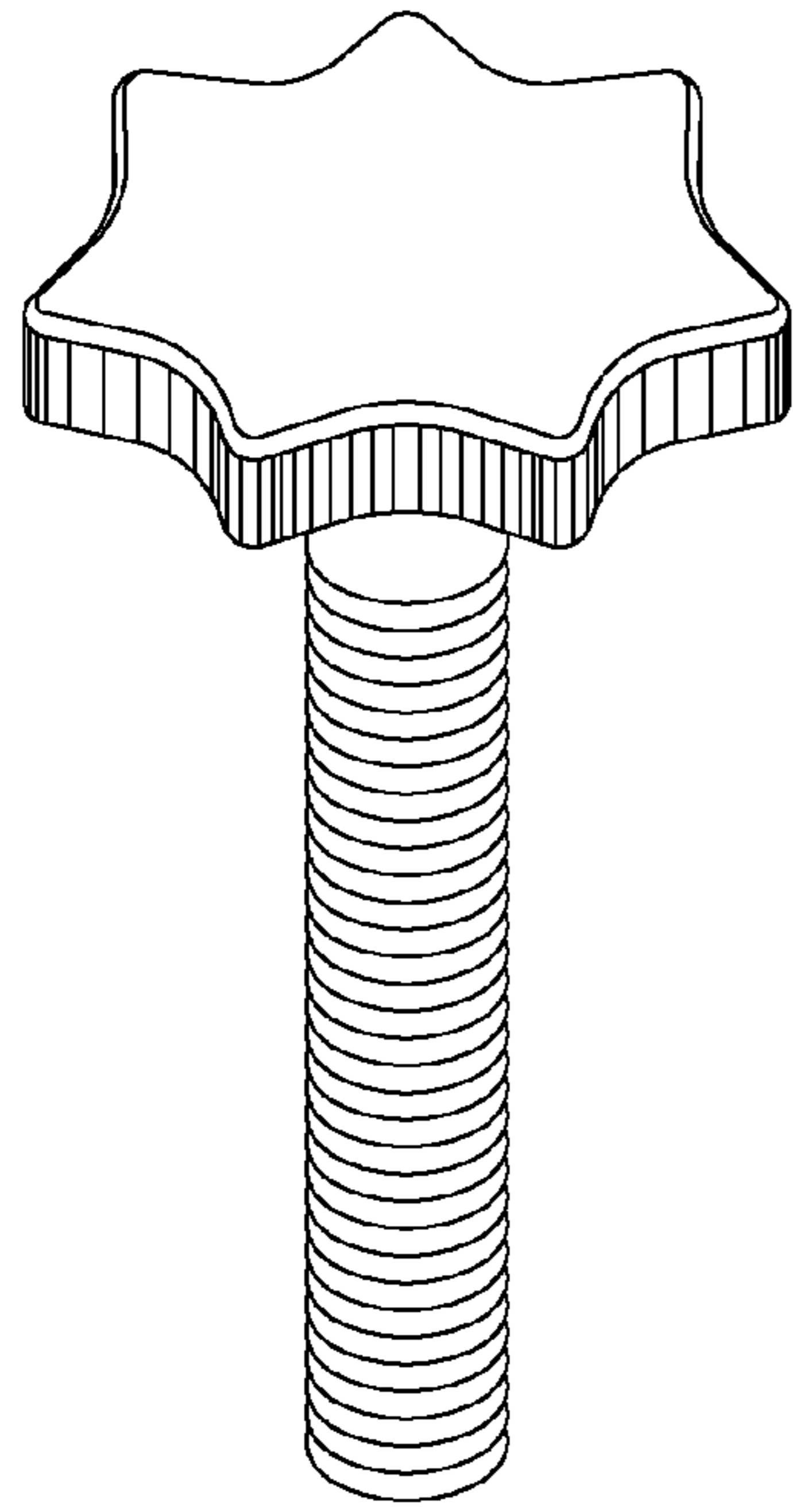


FIG. 7

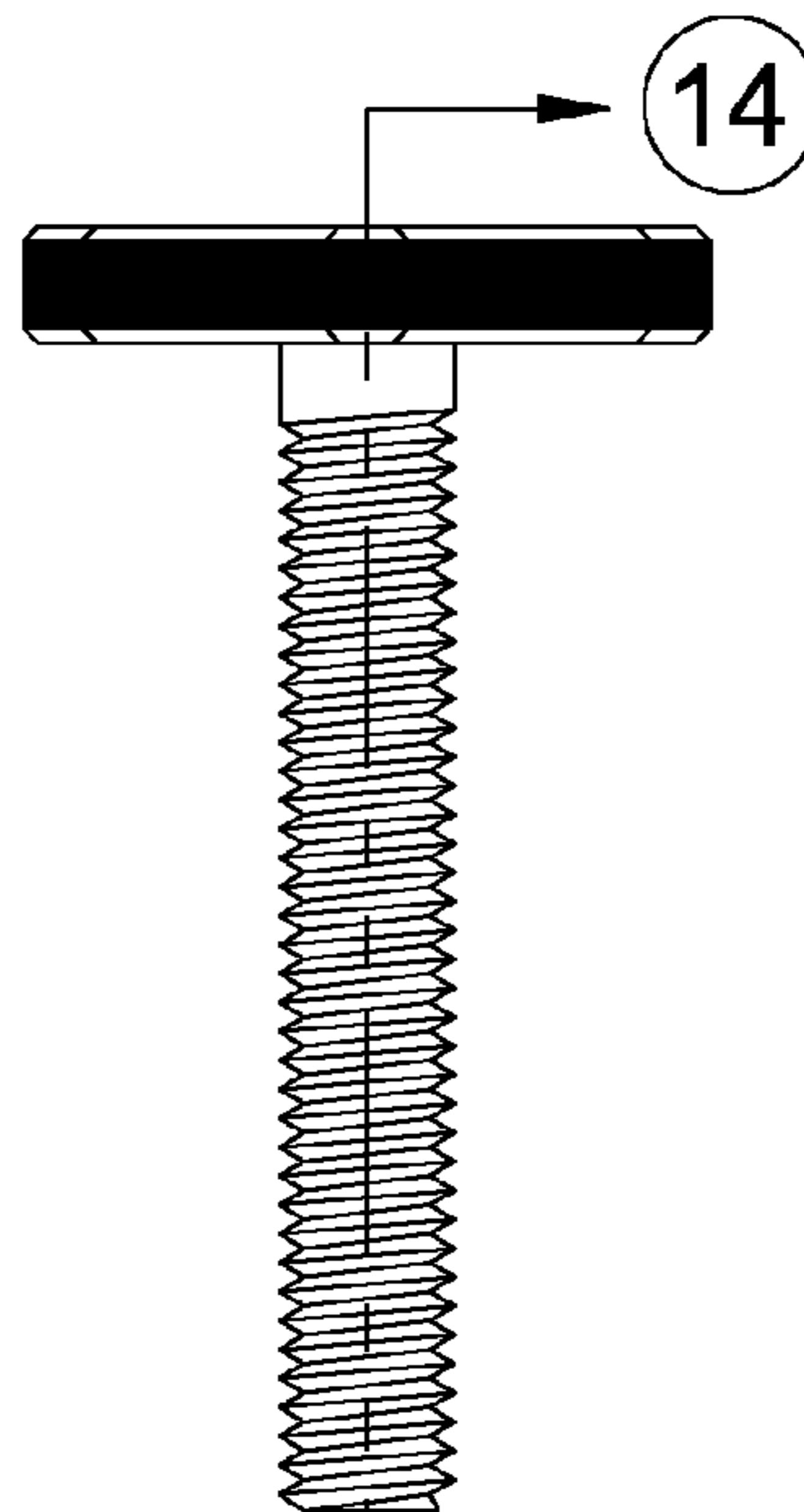


FIG. 8

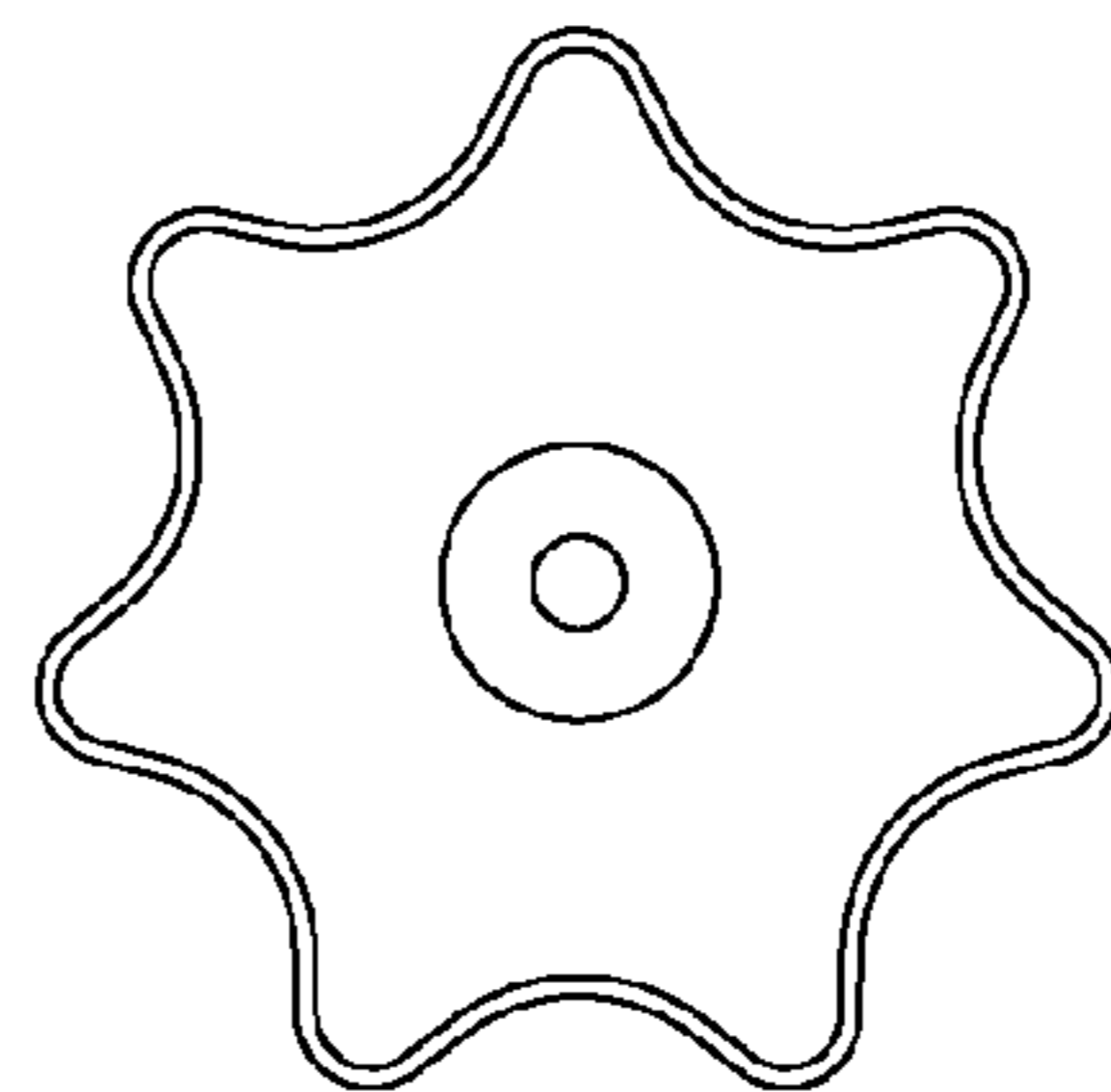


FIG. 9

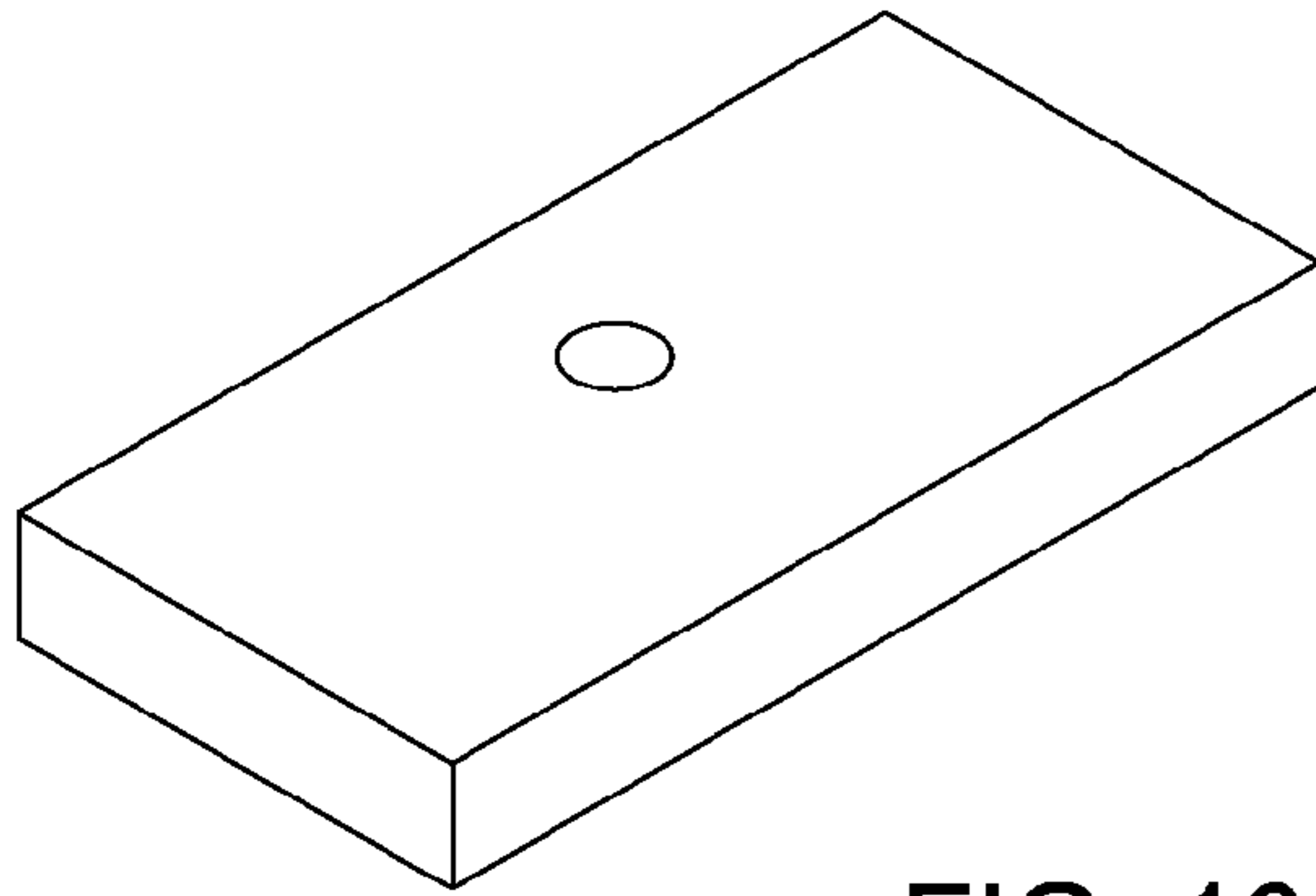


FIG. 10

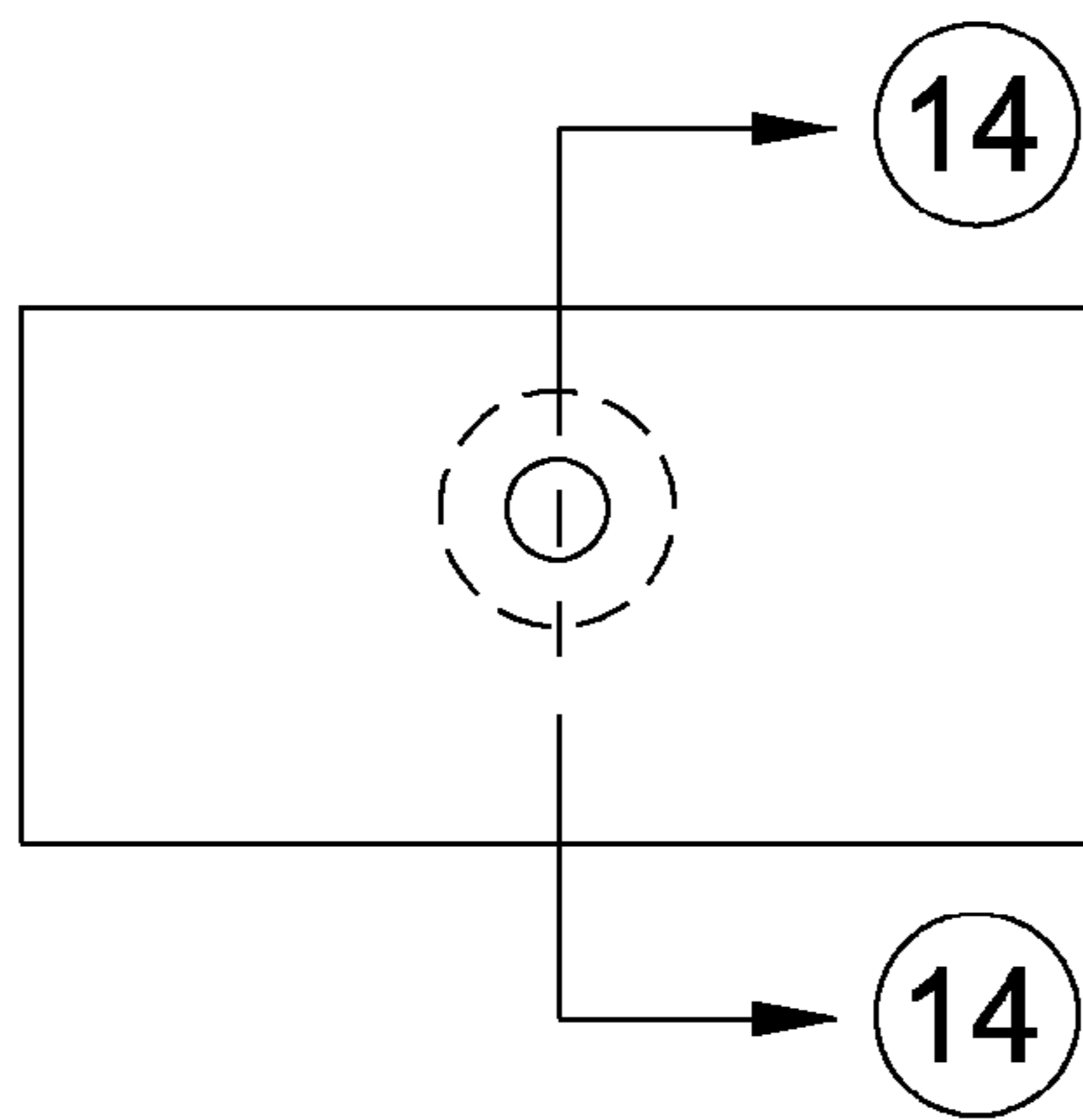


FIG. 11

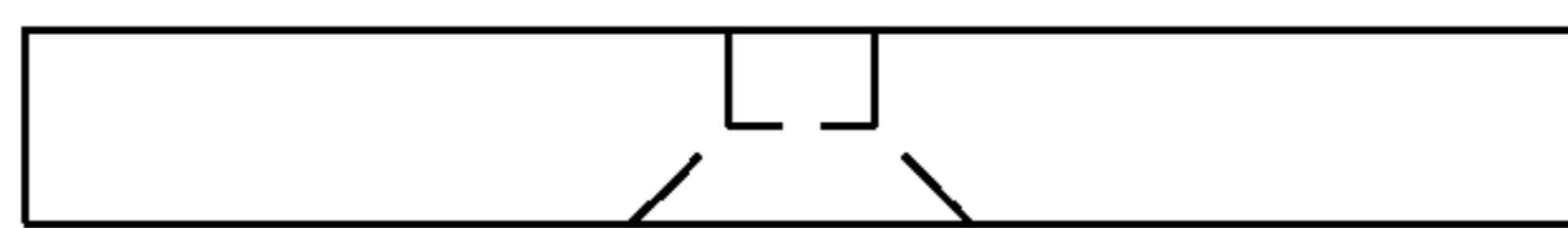


FIG. 12

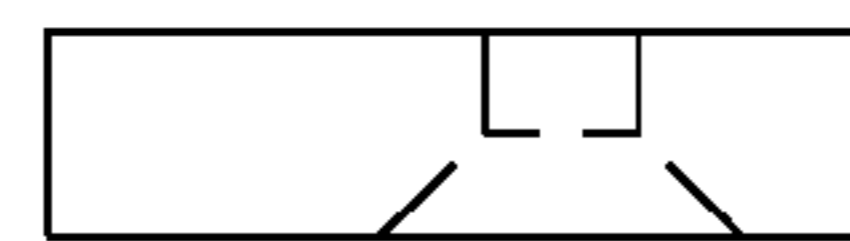


FIG. 13

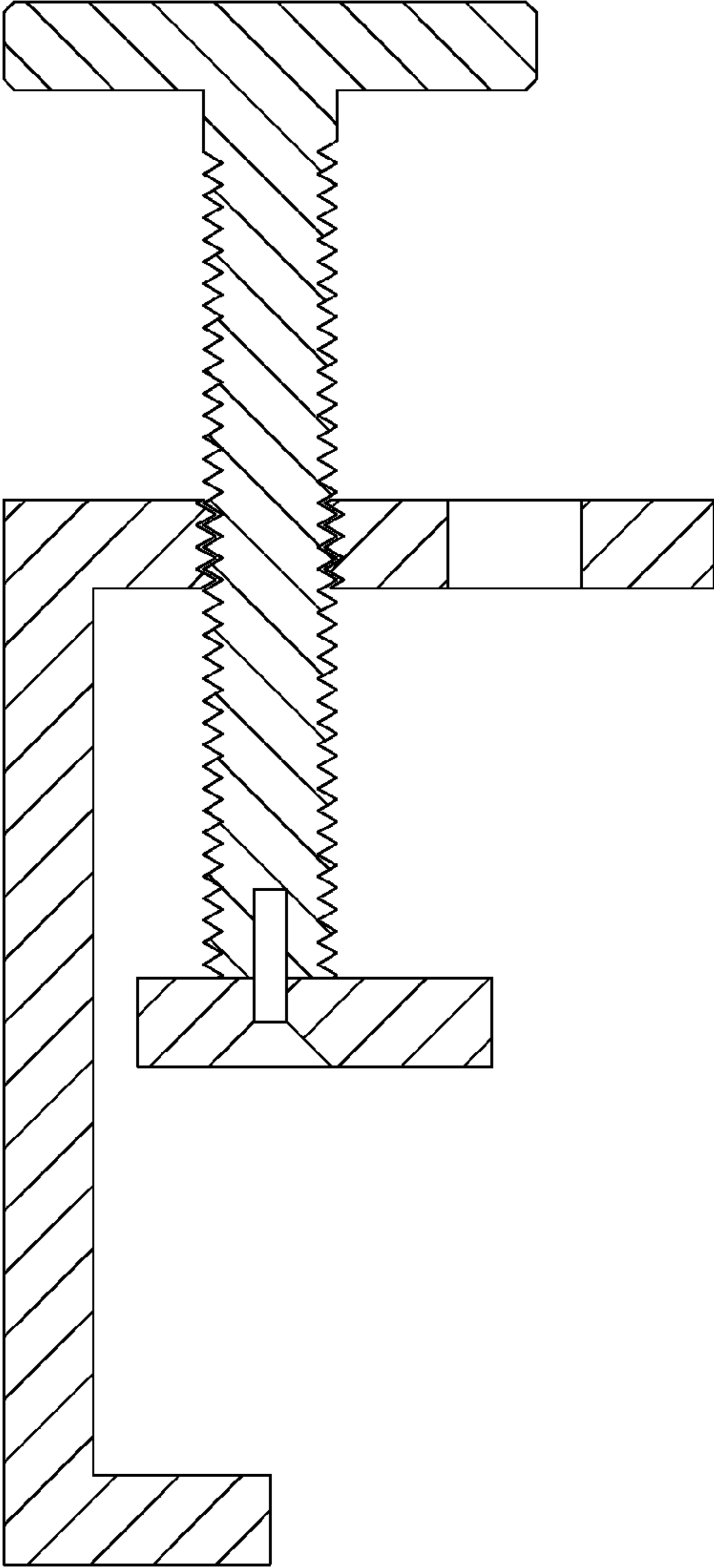


FIG. 14