



US00D672873S

(12) **United States Design Patent**
An

(10) **Patent No.:** **US D672,873 S**

(45) **Date of Patent:** **** Dec. 18, 2012**

(54) **MIXING TIP USED WITH IMPRESSION CARTRIDGE FOR DENTAL TREATMENT**

(76) Inventor: **Sung Bin An**, Busan (KR)

(**) Term: **14 Years**

(21) Appl. No.: **29/376,479**

(22) Filed: **Oct. 7, 2010**

(30) **Foreign Application Priority Data**

Apr. 16, 2010 (KR) 30-2010-0016969

(51) **LOC (9) Cl.** **24-03**

(52) **U.S. Cl.** **D24/156; D24/176**

(58) **Field of Classification Search** D24/156,
D24/180-181, 152, 133, 176, 112, 177, 127-129;
222/137, 145.5, 145.6, 327, 567; 433/36,
433/49-50, 82-83, 87-88, 214

See application file for complete search history.

(56) **References Cited**

U.S. PATENT DOCUMENTS

5,333,760	A *	8/1994	Simmen	222/137
5,413,253	A *	5/1995	Simmen	222/137
5,819,988	A *	10/1998	Sawhney et al.	222/137
7,387,432	B2 *	6/2008	Lu et al.	222/145.6
8,074,843	B2 *	12/2011	Keller	222/137
2011/0151402	A1 *	6/2011	An	433/82
2011/0198370	A1 *	8/2011	Ho et al.	222/137

OTHER PUBLICATIONS

Impression Material Mixing Tip (99310). Price Club Dental Supplies, LLC. Copyright 2008-2011. [Retrieved on Feb. 13, 2012].

Retrieved from the Internet: <URL:http://www.priceclubdentalsupplies.com/product/99310>.*

Slick-Tip Mixing tip. Copyright 2012. [Retrieved on Feb. 13, 2012].

Retrieved from the Internet: <URL: http://www.dentistry.co.uk/product_guide/product-of-the-year/index.php?cat-1&product=...>.*

* cited by examiner

Primary Examiner — Wan Laymon

(74) *Attorney, Agent, or Firm* — Jordan and Hamburg LLP

(57) **CLAIM**

The ornamental design for a mixing tip used with impression cartridge for dental treatment, as shown and described.

DESCRIPTION

FIG. 1 is a right, top, front perspective view of a mixing tip used with impression cartridge for dental treatment showing my new design;

FIG. 2 is a front elevational view thereof;

FIG. 3 is a rear elevational view thereof;

FIG. 4 is a left side elevational view thereof;

FIG. 5 is a right side elevational view thereof;

FIG. 6 is a top plan view thereof; and,

FIG. 7 is a bottom plan view thereof.

The dash-dot line immediately adjacent the claimed areas represent the bounds of the claimed design while all other broken lines represent environmental structure and are for illustrative purposes only; the broken lines form no part of the claimed design.

1 Claim, 6 Drawing Sheets

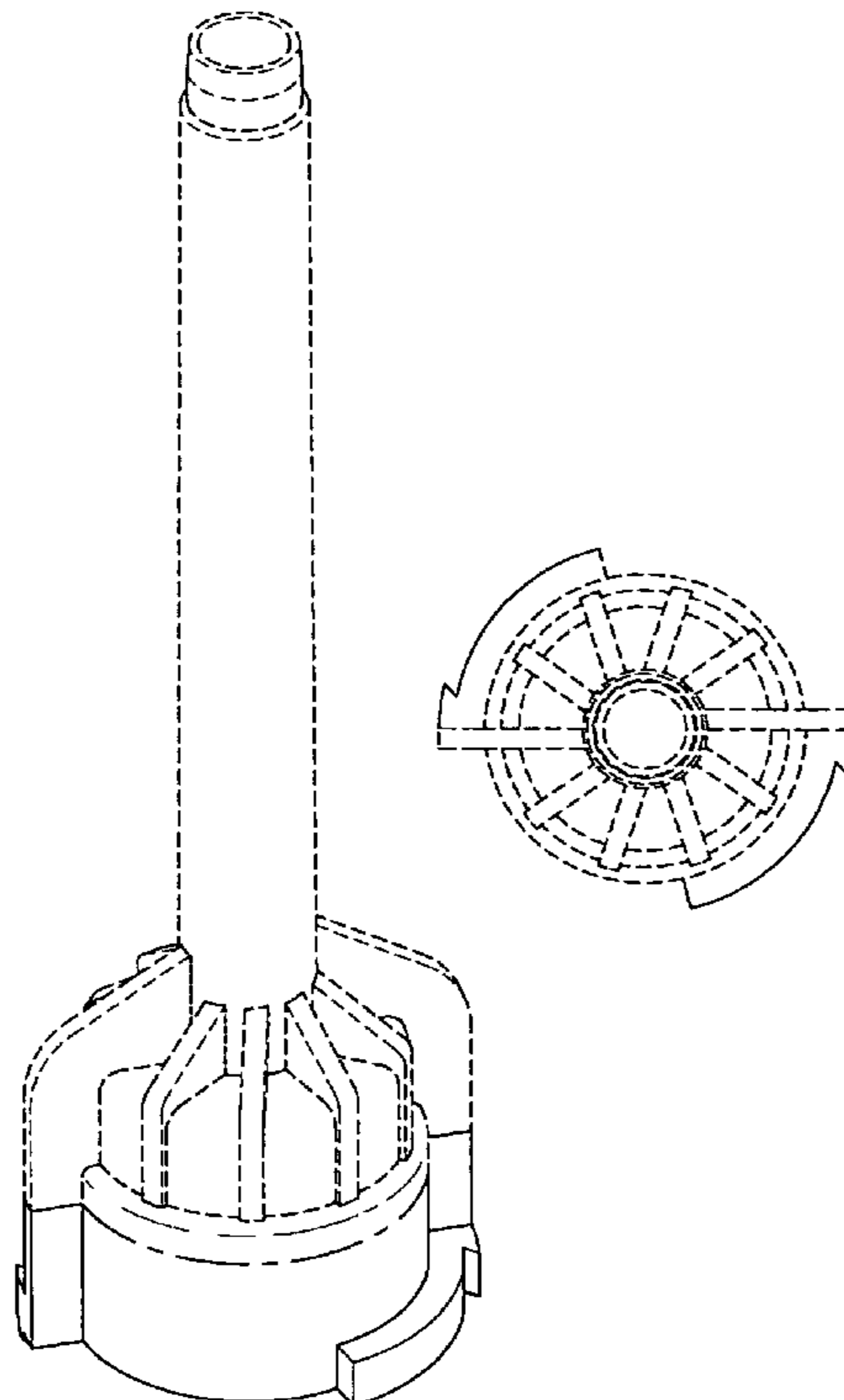


FIG 1

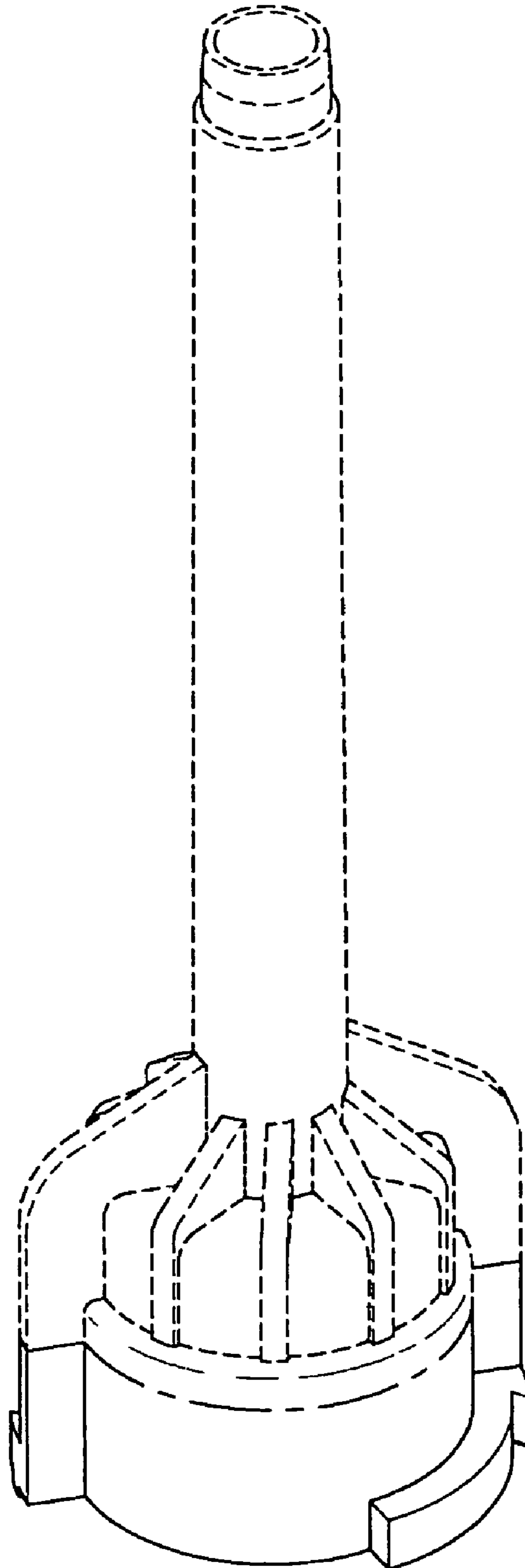


FIG 2

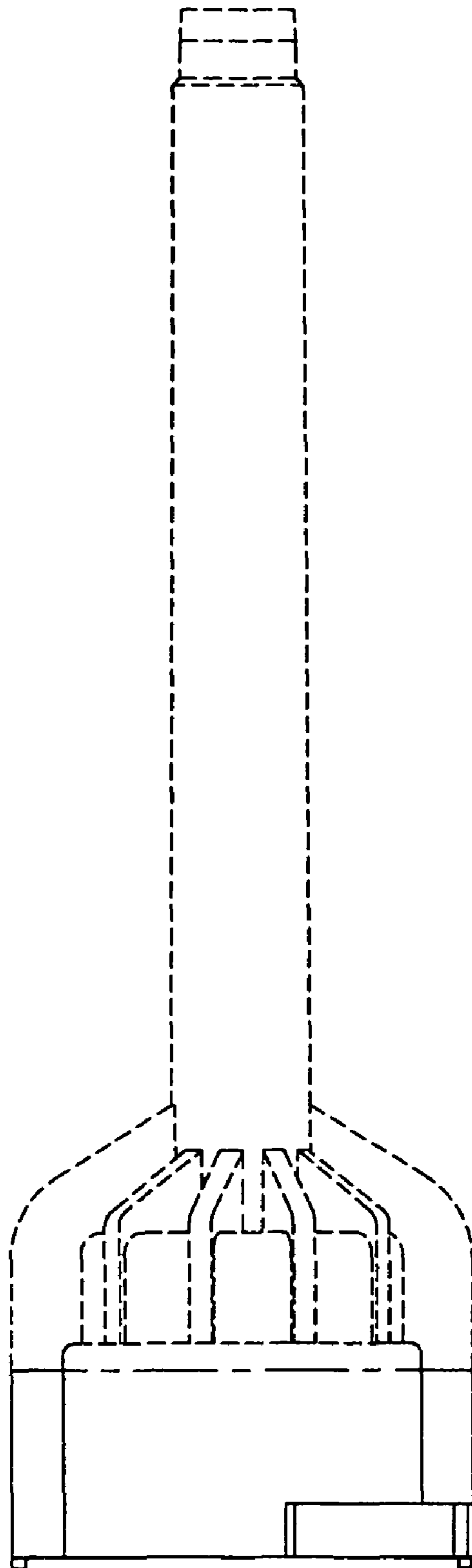


FIG 3

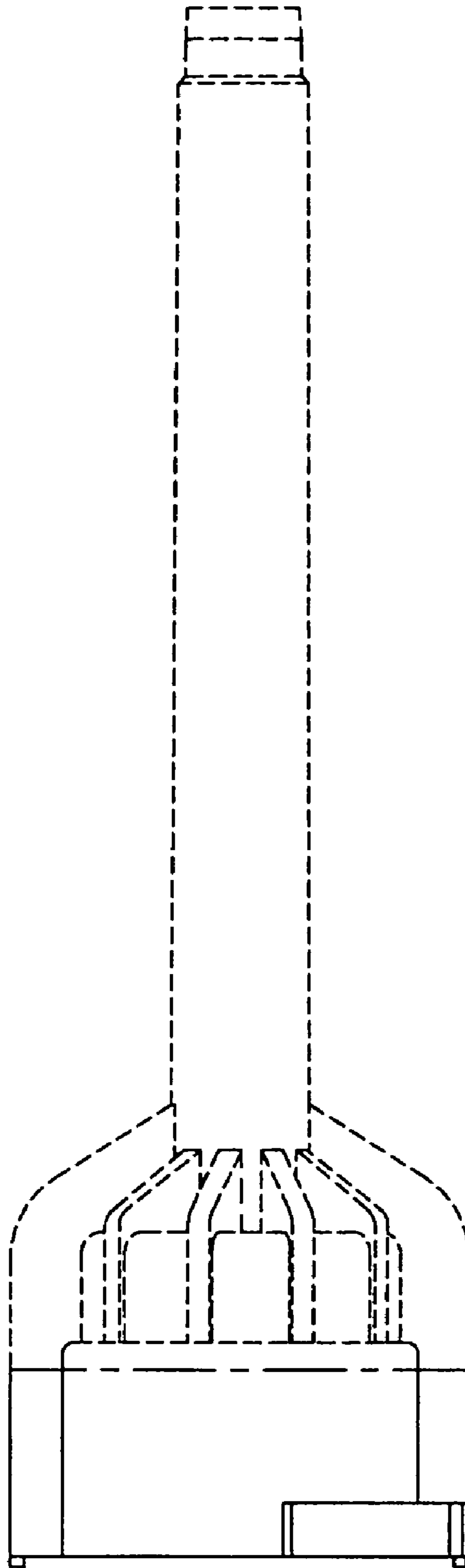


FIG 4

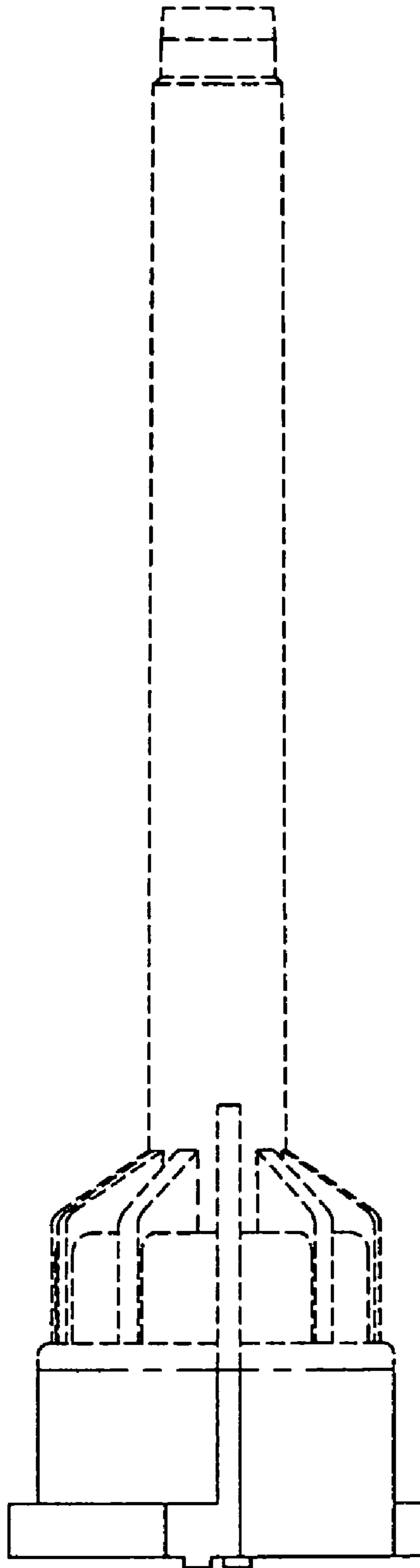


FIG 5

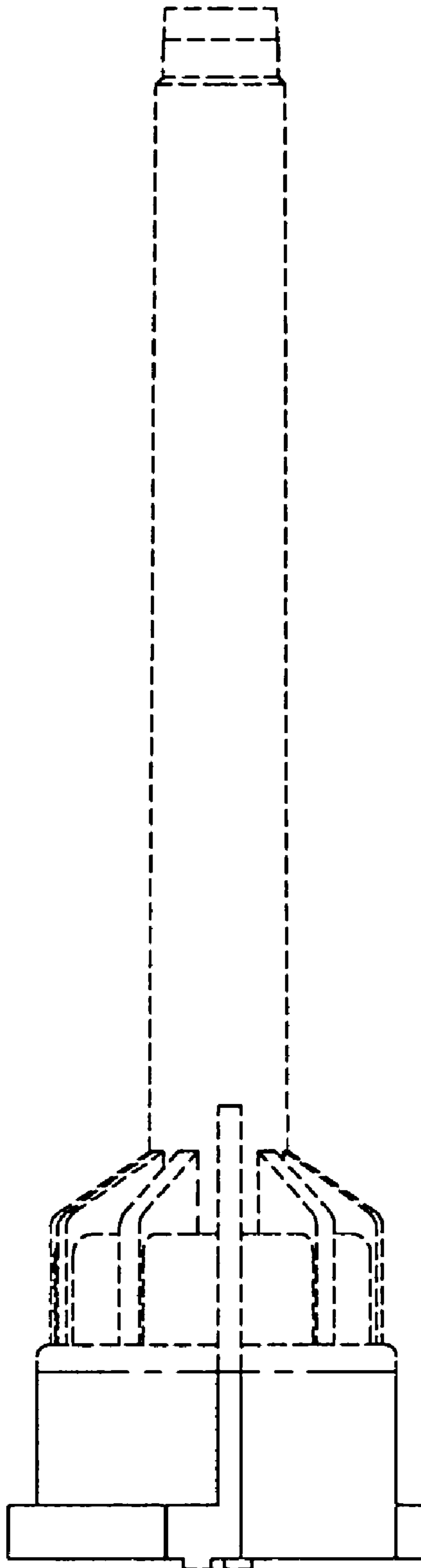


FIG 6

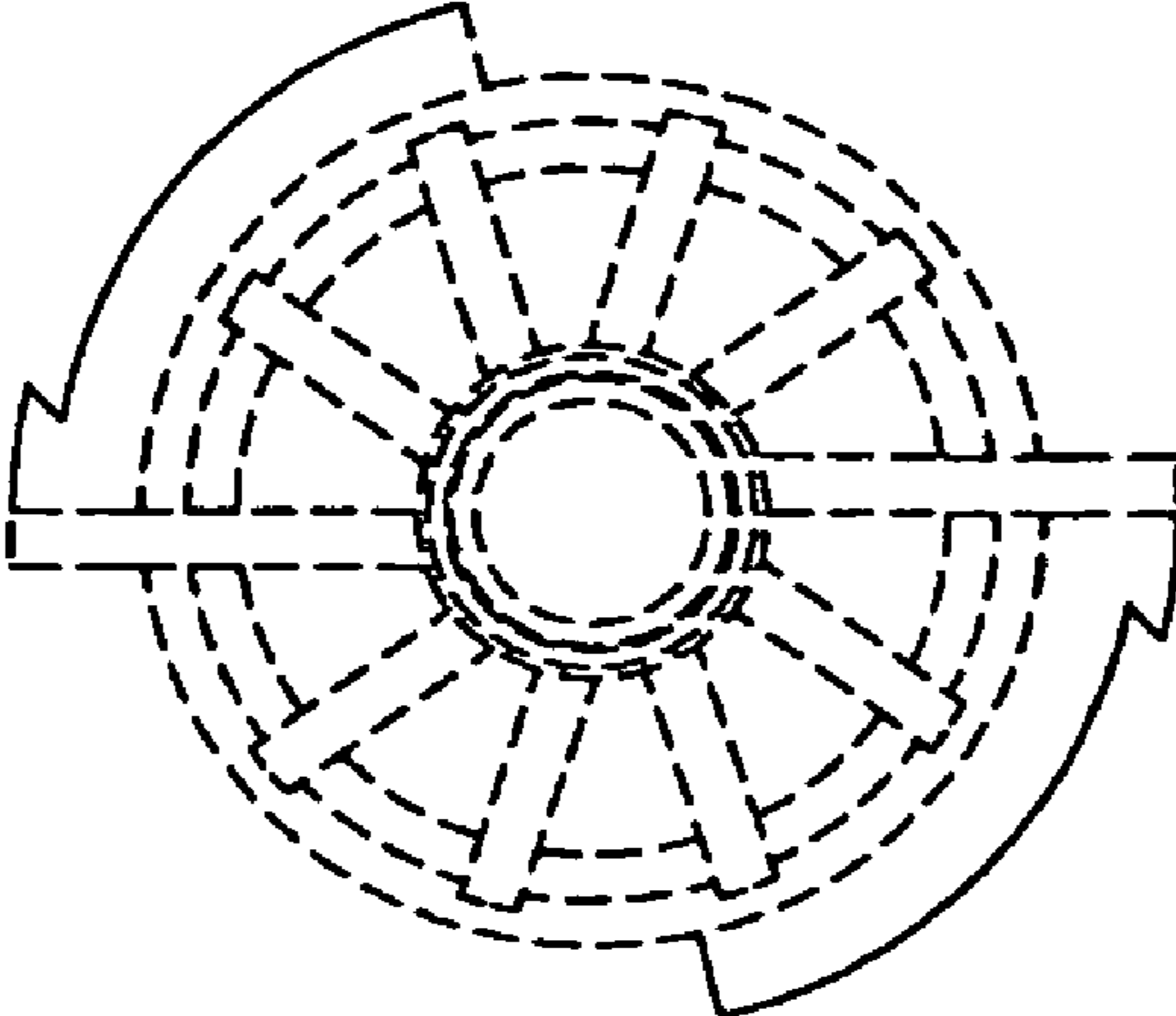


FIG 7

