



US00D672871S

(12) **United States Design Patent**
Åman Bergkvist et al.

(10) **Patent No.:** **US D672,871 S**
(45) **Date of Patent:** **** Dec. 18, 2012**

(54) **PROTECTION DEVICE FOR A STETHOSCOPE**

(76) Inventors: **Ivar Åman Bergkvist, Lund (SE); Hannes Åman Bergkvist, Lund (SE)**

(**) Term: **14 Years**

(21) Appl. No.: **29/399,046**

(22) Filed: **Aug. 9, 2011**

(30) **Foreign Application Priority Data**

Feb. 17, 2011 (SE) 2011/0077

(51) **LOC (9) Cl.** **24-02**

(52) **U.S. Cl.** **D24/134**

(58) **Field of Classification Search** D24/134;
181/131, 132

See application file for complete search history.

(56) **References Cited**

U.S. PATENT DOCUMENTS

D349,959	S	*	8/1994	Troiani	D24/134
5,466,897	A	*	11/1995	Ross et al.	181/131
D422,704	S	*	4/2000	Segemark et al.	D24/135
6,499,560	B1	*	12/2002	Lang et al.	181/131
D475,459	S	*	6/2003	Wiles	D24/134
D505,491	S	*	5/2005	Nessel	D24/134
D547,448	S	*	7/2007	Jones et al.	D24/134
D614,301	S	*	4/2010	Jones	D24/134
7,757,807	B1	*	7/2010	Martinez	181/131

D621,504	S	*	8/2010	Martinez	D24/134
2007/0045039	A1	*	3/2007	Agahi et al.	181/131
2010/0212995	A1	*	8/2010	Hmayakyan et al.	181/131
2010/0326850	A1	*	12/2010	Manlapaz	206/223

FOREIGN PATENT DOCUMENTS

EM 001895897-0001 * 8/2011

* cited by examiner

Primary Examiner — Bridget L Eland

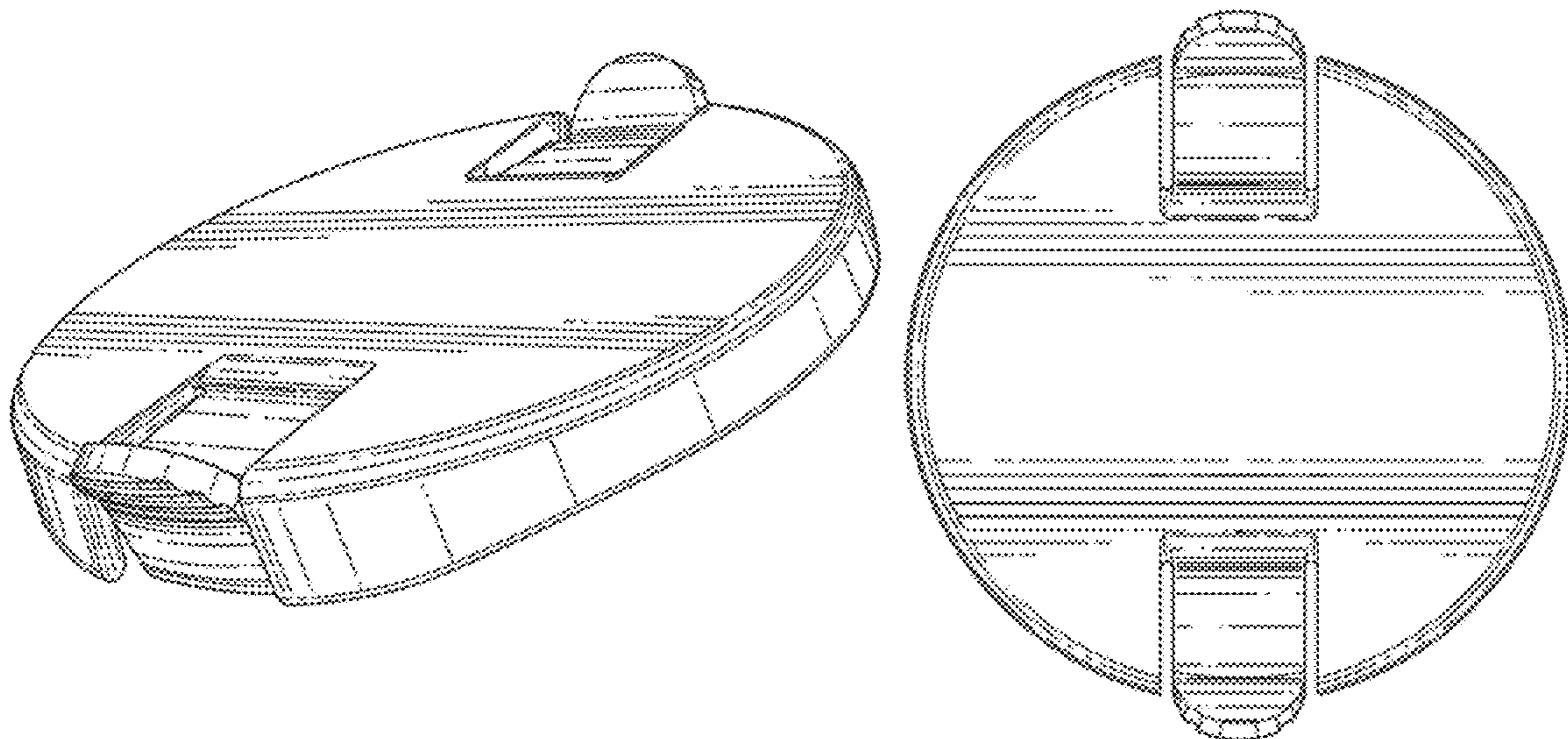
(57) **CLAIM**

The ornamental design for a protection device for a stethoscope, as shown and described.

DESCRIPTION

FIG. 1 is a bottom perspective view of a protection device for a stethoscope showing our new design;
 FIG. 2 is a top perspective view thereof;
 FIG. 3 is a bottom plan view thereof;
 FIG. 4 is a top plan view thereof;
 FIG. 5 is a right side elevational view thereof, the left side elevational view is a mirror image of the right side elevational view; and,
 FIG. 6 is a front elevational view thereof, the back elevational view is a mirror image of the front side elevational view.
 The left side elevational view is a mirror image of the right side elevational view.
 The back side elevational view is a mirror image of the front side elevational view.

1 Claim, 3 Drawing Sheets



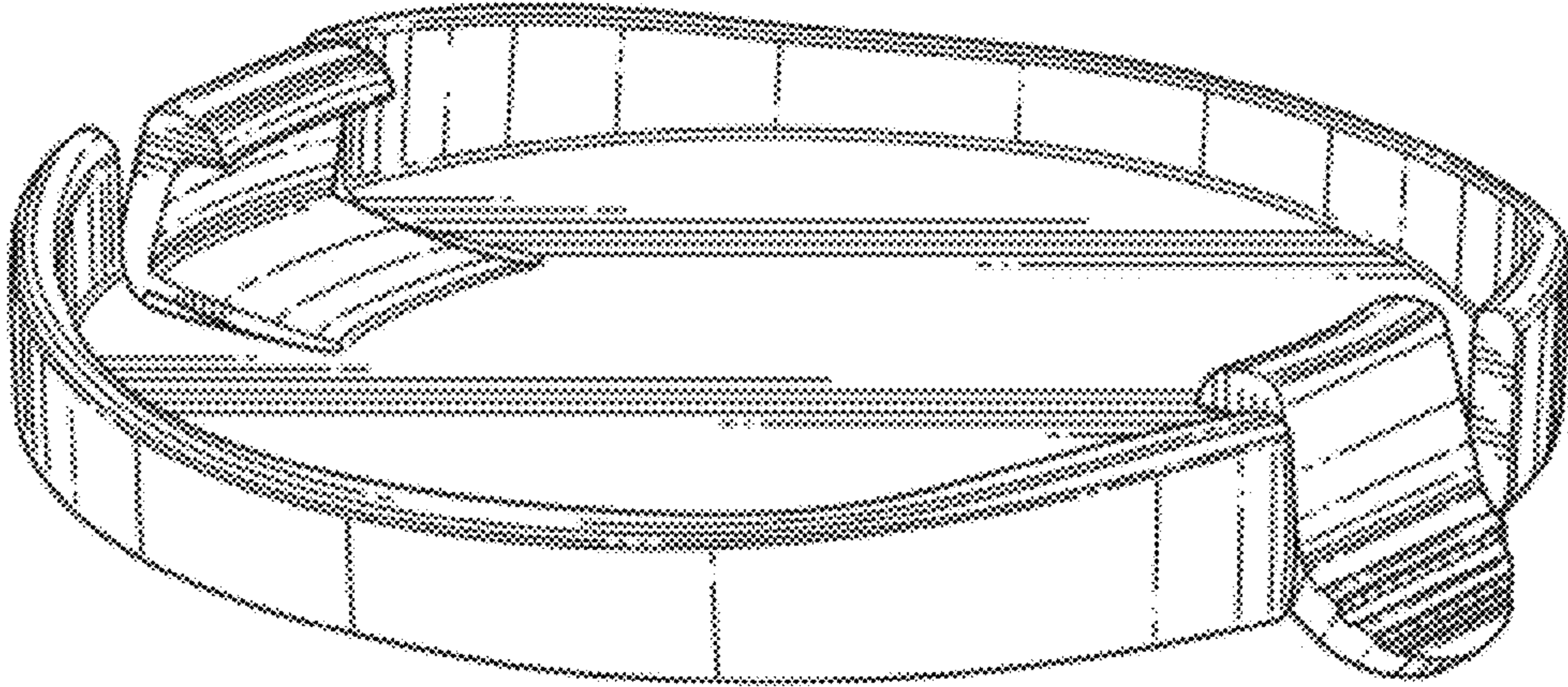


FIG. 1

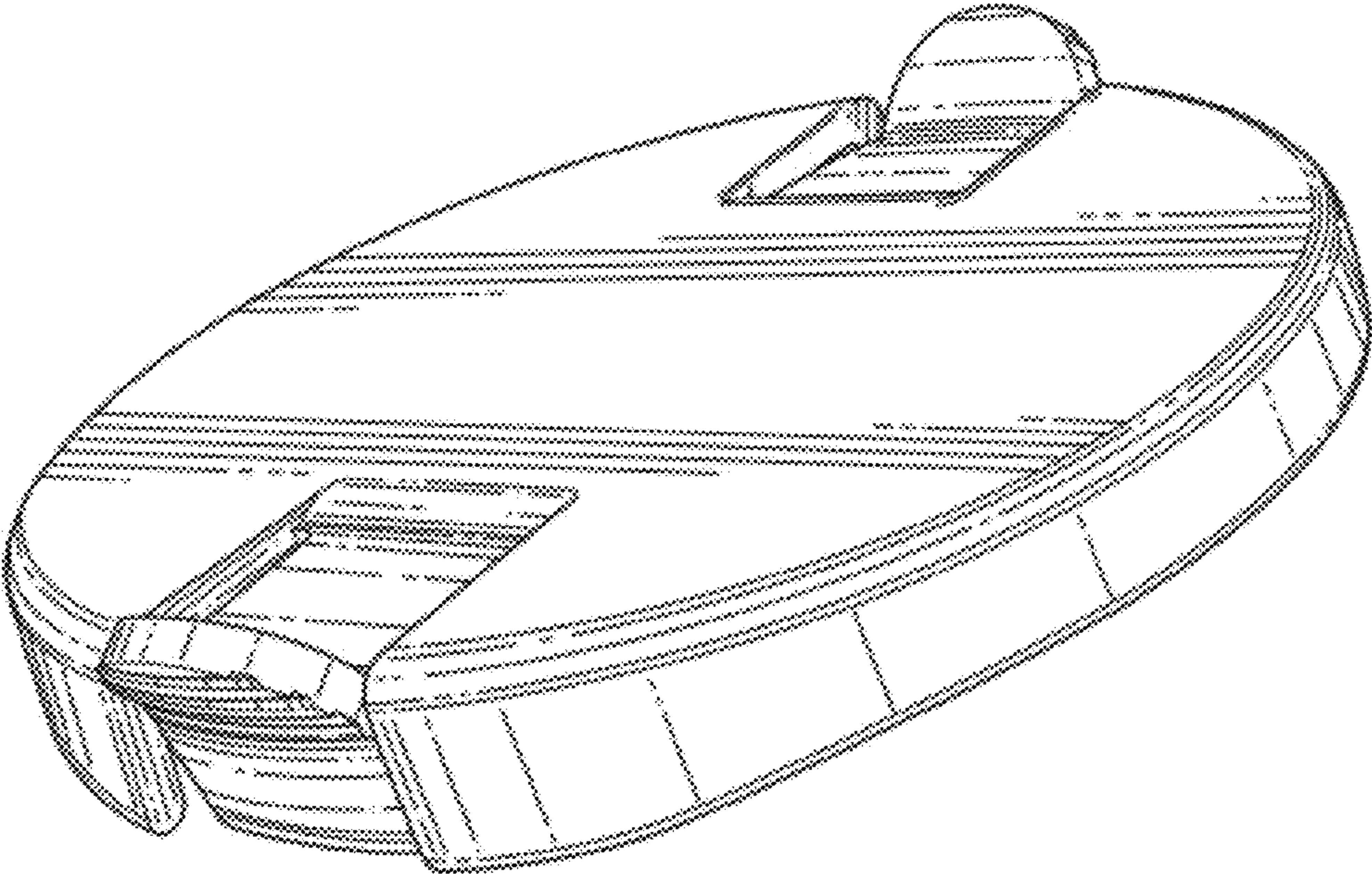


FIG. 2

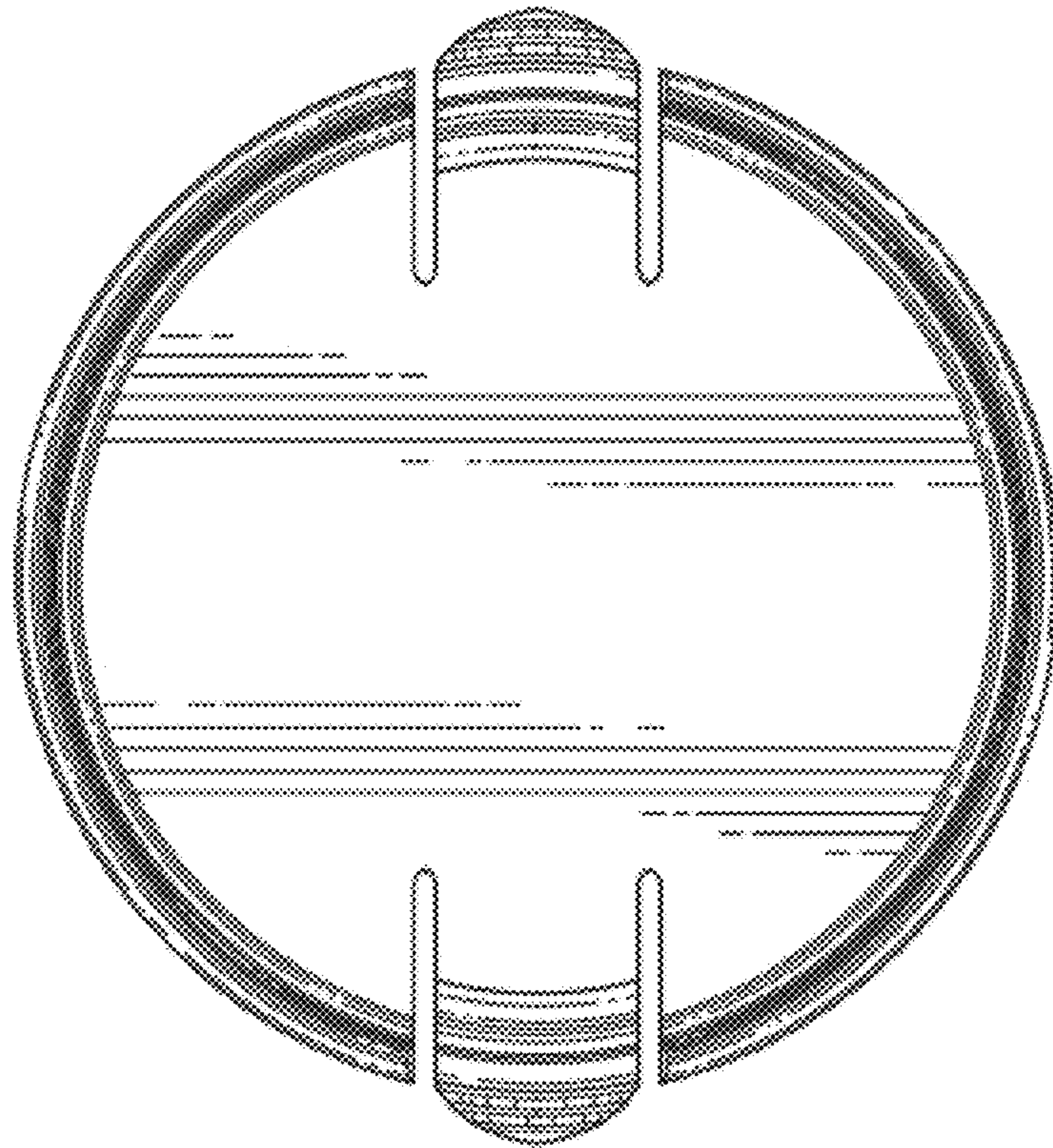


FIG. 3

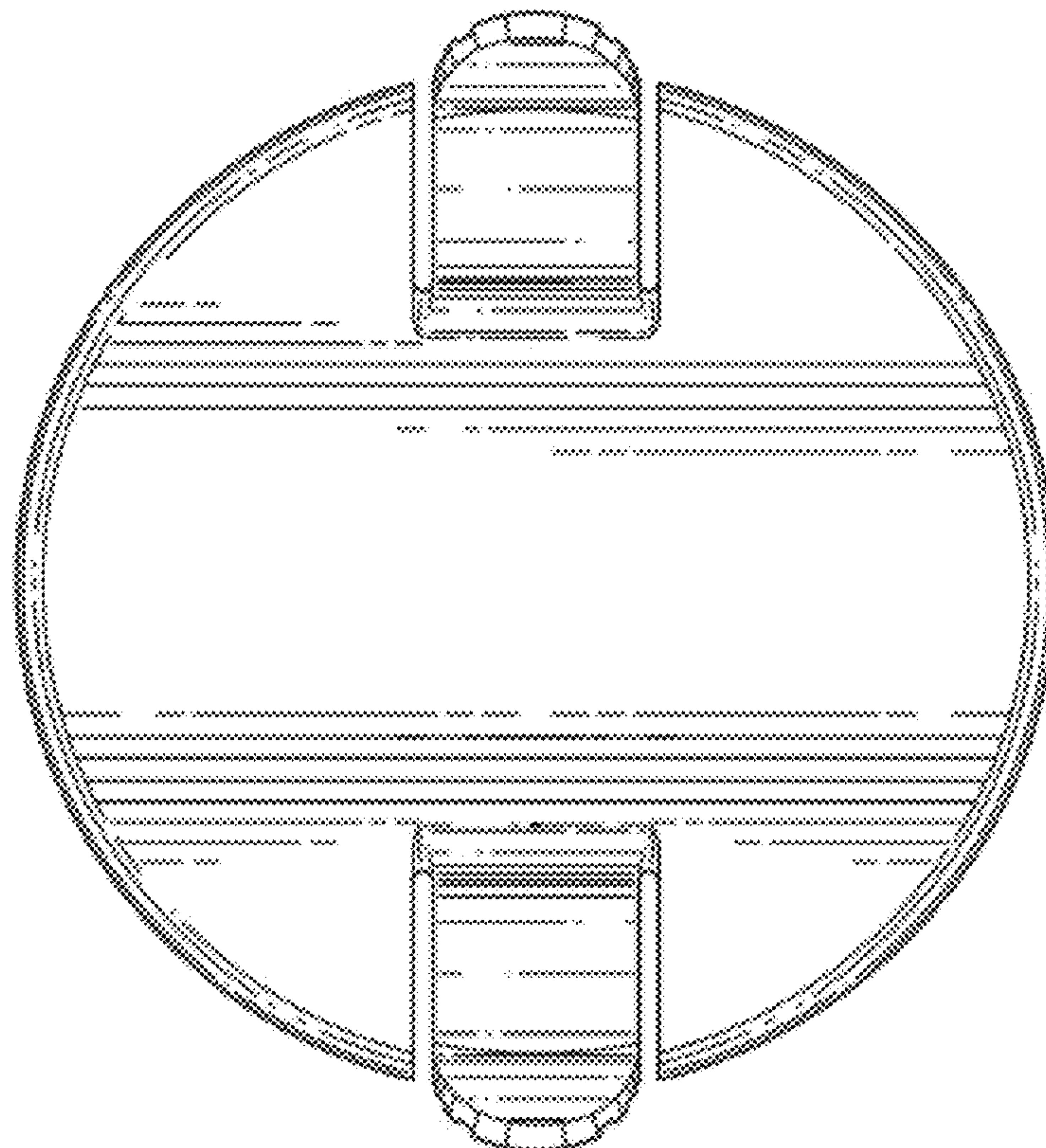


FIG. 4

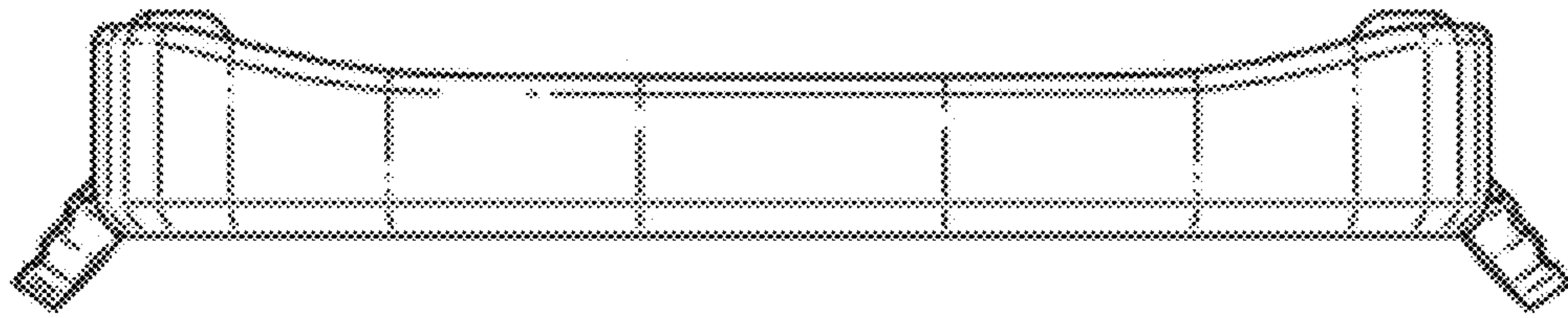


FIG. 5

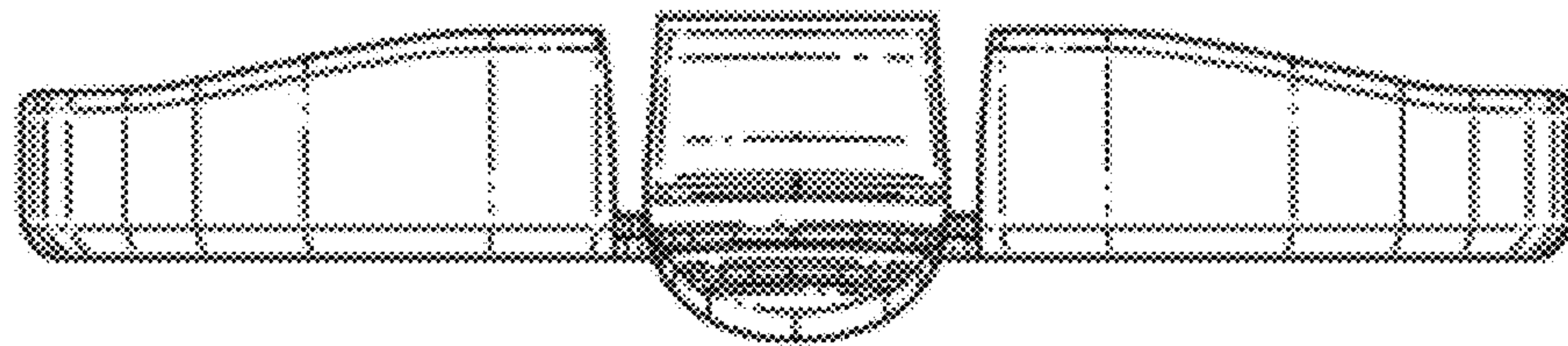


FIG. 6