



US00D672870S

(12) **United States Design Patent**
Bertelsen

(10) **Patent No.:** **US D672,870 S**
(45) **Date of Patent:** **** Dec. 18, 2012**

(54) **EYE BRACKET FOR AN EYE IRRIGATION BOTTLE**

(75) Inventor: **Poul Martin Bertelsen**, Assens (DK)

(73) Assignee: **Plum A/S** (DK)

(**) Term: **14 Years**

(21) Appl. No.: **29/365,500**

(22) Filed: **Jul. 9, 2010**

(30) **Foreign Application Priority Data**

Jan. 11, 2010 (EM) 001188288-0001

(51) **LOC (9) Cl.** **24-02**

(52) **U.S. Cl.** **D24/120**

(58) **Field of Classification Search** D24/120,
D24/121, 108, 193, 113, 150; 604/294-302,
604/289, 290; 4/620; 215/4, 305, 328; 206/210,
206/828; 222/566, 575, 420; D9/453

See application file for complete search history.

(56) **References Cited**

U.S. PATENT DOCUMENTS

3,872,866	A *	3/1975	Lelicoff	604/302
4,131,115	A *	12/1978	Peng	604/301
4,605,398	A *	8/1986	Herrick	604/300
D337,383	S *	7/1993	Smith	D24/120
5,665,079	A *	9/1997	Stahl	604/298
5,810,794	A *	9/1998	Peplinski	604/295

6,090,086	A *	7/2000	Bolden	604/302
6,371,945	B1 *	4/2002	Sherman	604/302
D462,443	S *	9/2002	Webb	D24/150
D491,063	S *	6/2004	Hicks et al.	D9/453
D588,691	S *	3/2009	Perrin et al.	D24/120
D588,692	S *	3/2009	Rucinski	D24/121
D633,204	S *	2/2011	Macken	D24/150

* cited by examiner

Primary Examiner — David Muller

(74) *Attorney, Agent, or Firm* — Kelly & Kelley, LLP

(57) **CLAIM**

The ornamental design for an eye bracket for an eye irrigation bottle, as shown and described.

DESCRIPTION

FIG. 1 is a front and left-side perspective view of an eye bracket for an eye irrigation bottle embodying my new design, the dotted lines representing an exemplary canister; FIG. 2 is a front and left-side perspective view of an eye bracket for an eye irrigation bottle embodying my new design;

FIG. 3 is a front elevational view thereof, the rear elevational view being identical;

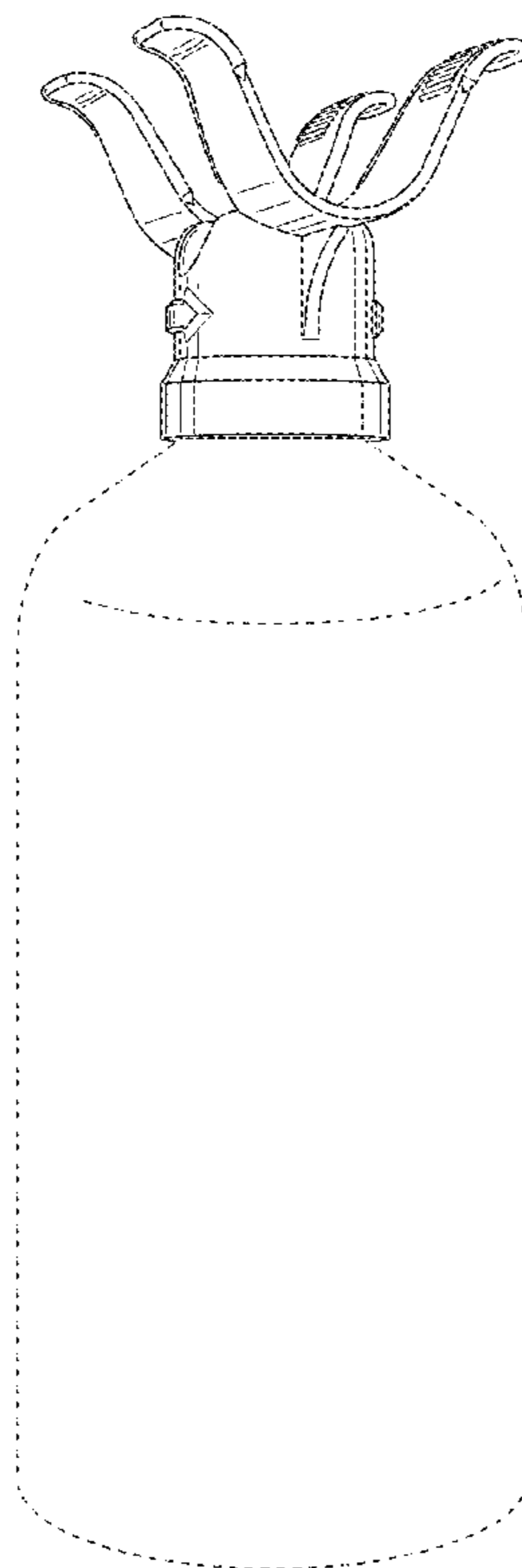
FIG. 4 is a right-side elevational view thereof;

FIG. 5 is a top plan view thereof; and,

FIG. 6 is a bottom plan view thereof.

The broken line showing of the canister in FIG. 1 and the inside of the cap in FIG. 5 is included for the purpose of illustrating use and environment and forms no part of the claimed design.

1 Claim, 2 Drawing Sheets



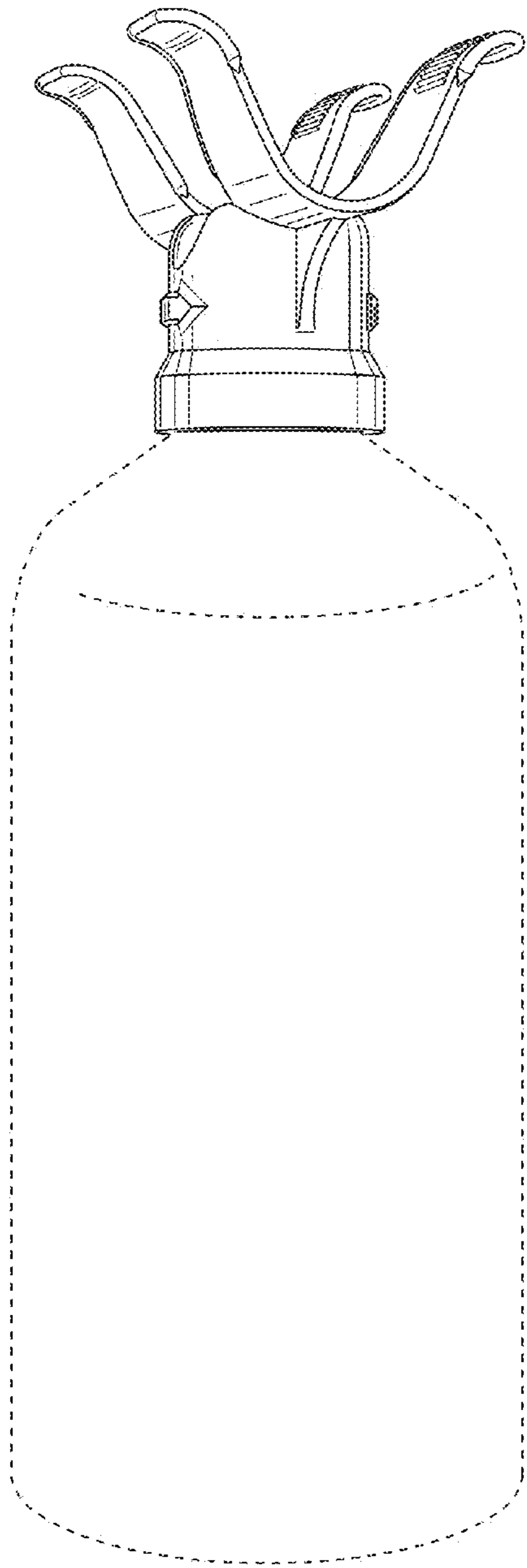


FIG. 1

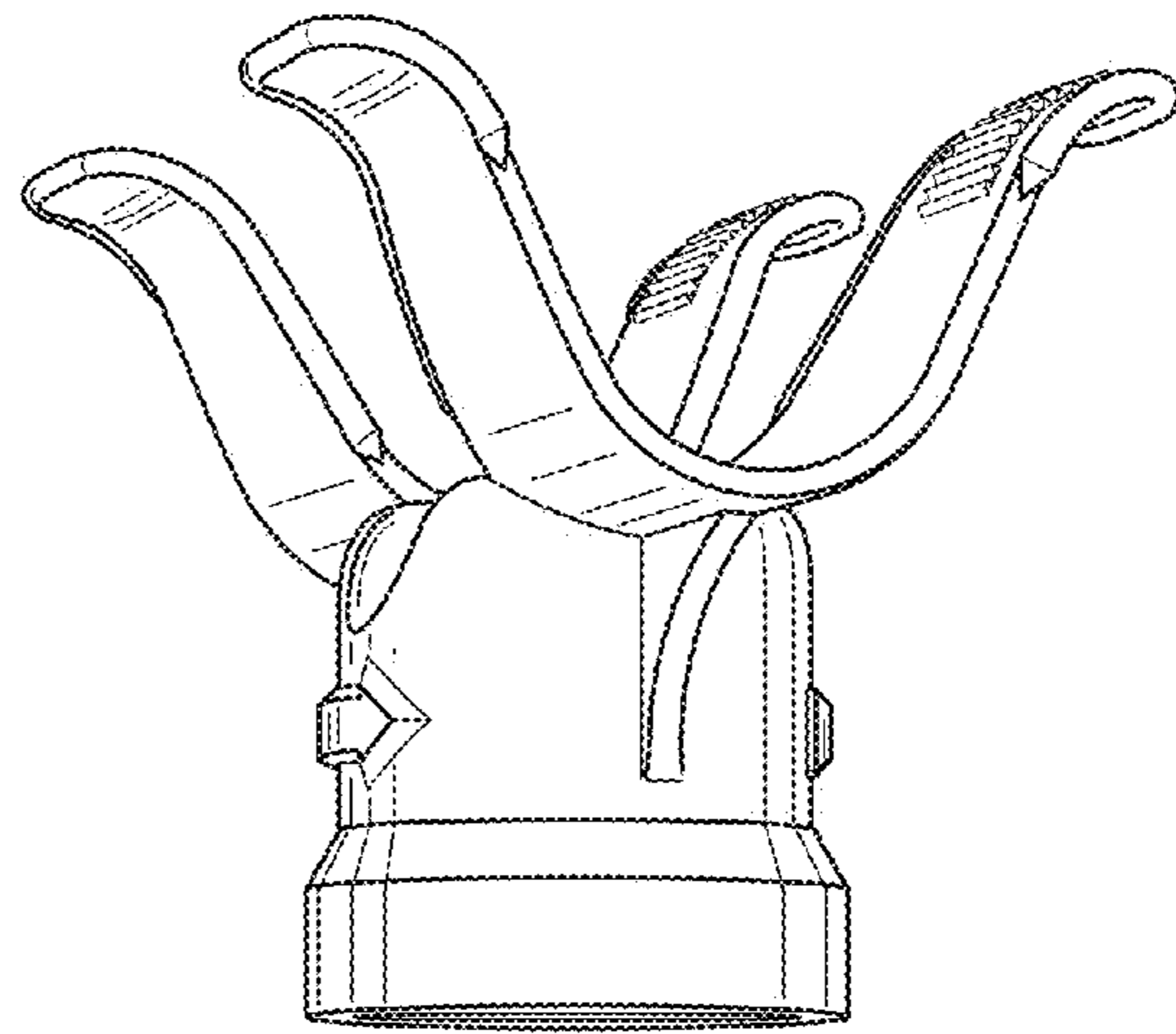


FIG. 2

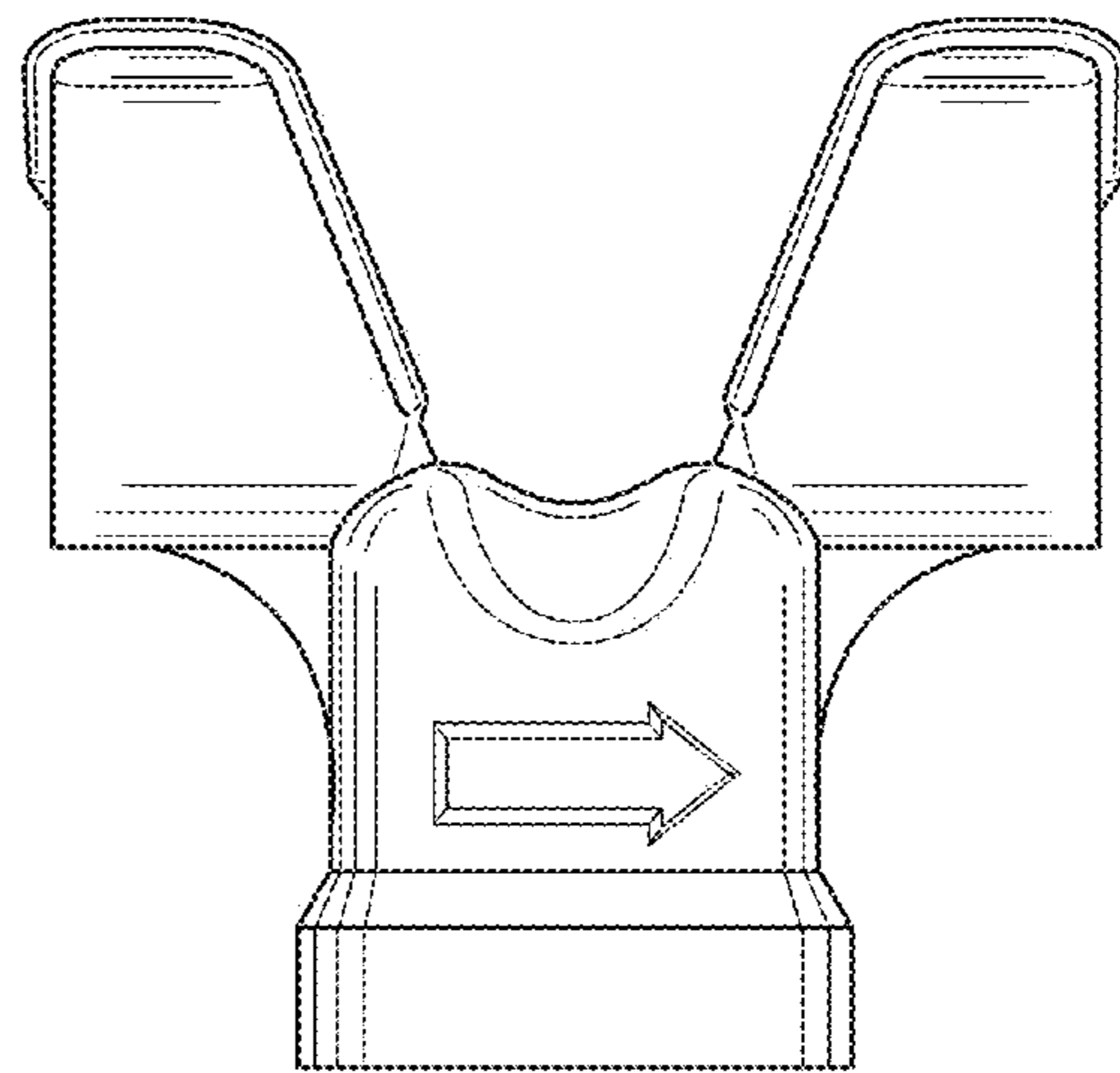


FIG. 3

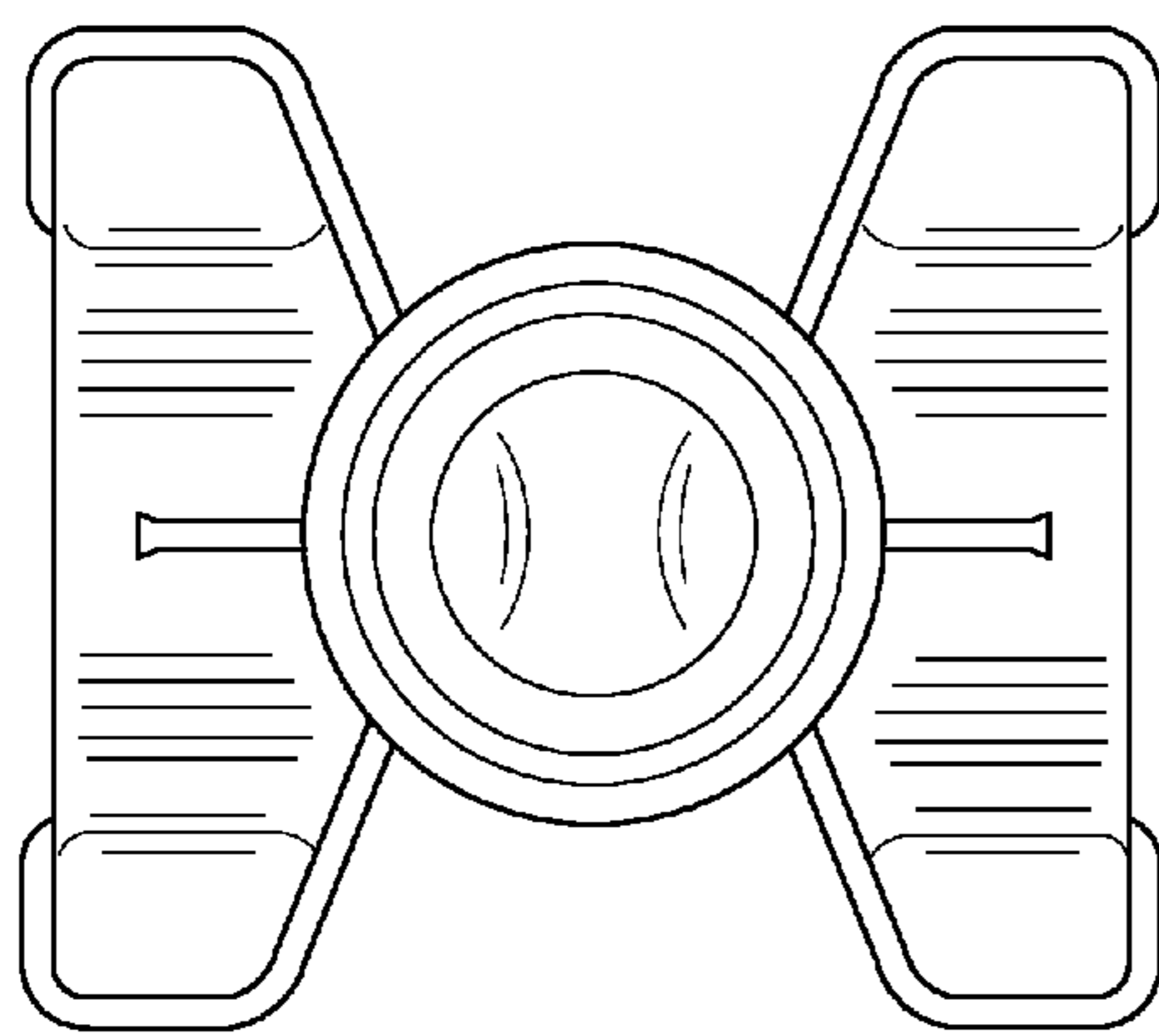


FIG. 5

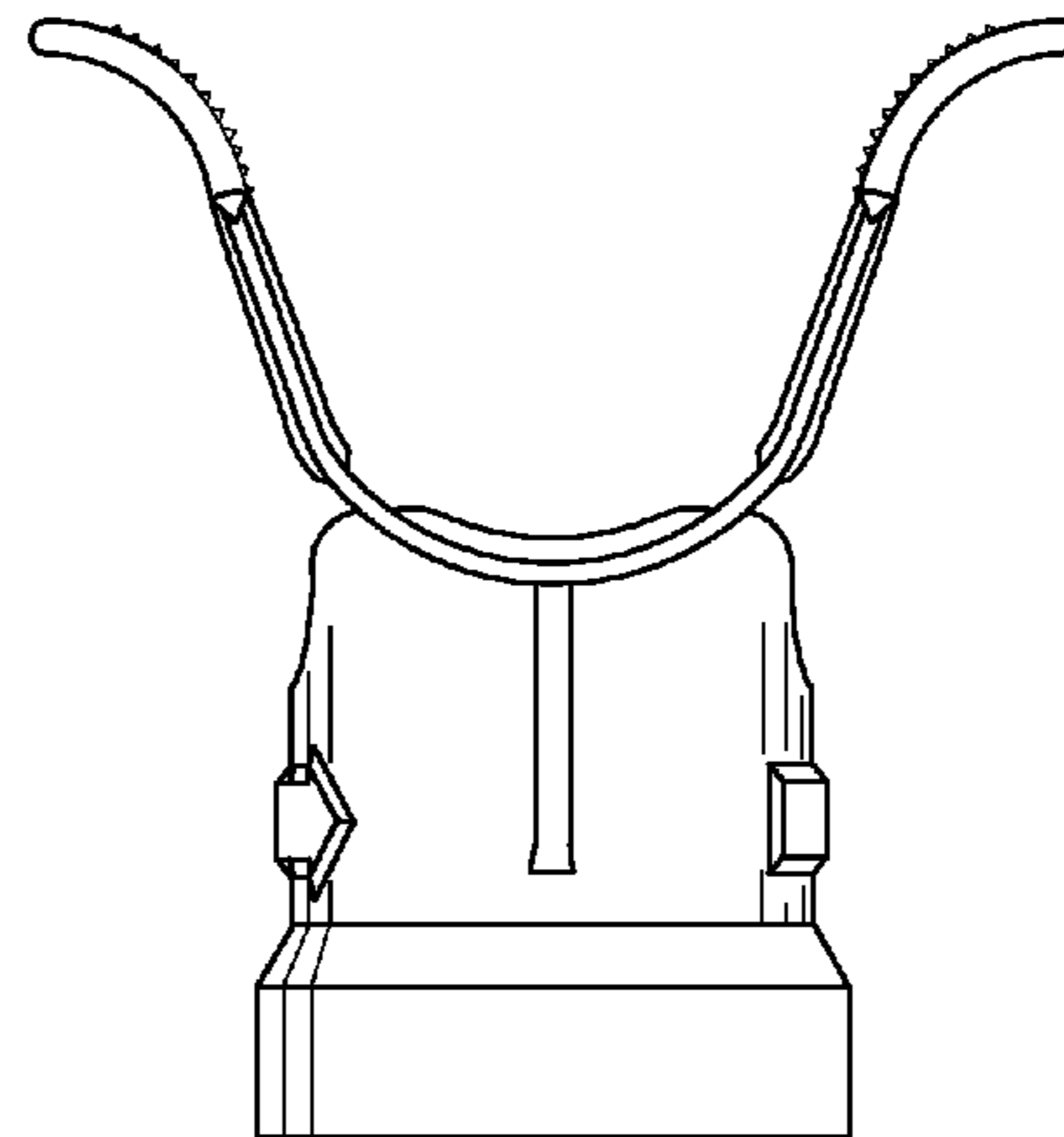


FIG. 4

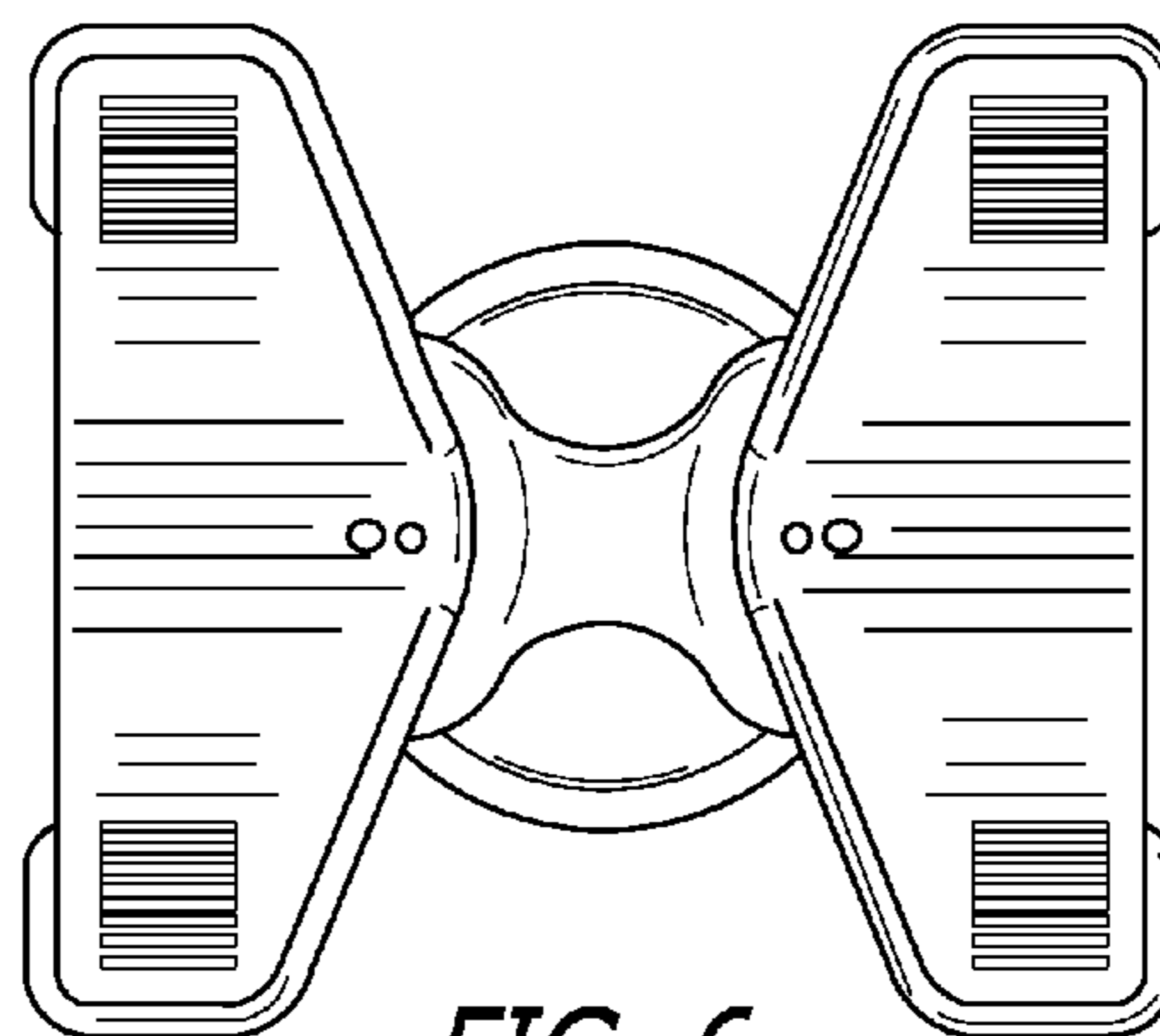


FIG. 6