

US00D672869S

(12) **United States Design Patent**
Akiyama et al.

(10) **Patent No.:** **US D672,869 S**
(45) **Date of Patent:** **** Dec. 18, 2012**

(54) **PORTION OF A BURNER**

(75) Inventors: **Takashi Akiyama**, Hyogo (JP); **Itsuo Nagai**, Hyogo (JP)

(73) Assignee: **Noritz Corporation**, Hyogo (JP)

(**) Term: **14 Years**

(21) Appl. No.: **29/421,095**

(22) Filed: **May 21, 2012**

(51) **LOC (9) Cl.** **23-03**

(52) **U.S. Cl.** **D23/415**

(58) **Field of Classification Search** D23/415-419,
D23/499, 343, 345, 349; D7/407; 52/36.3;
126/500, 547; 160/DIG. 9; 431/127, 129,
431/191, 258, 326, 354

See application file for complete search history.

(56) **References Cited**

U.S. PATENT DOCUMENTS

2,470,880	A *	5/1949	Zimbelman et al.	239/556
2,572,273	A *	10/1951	Miller et al.	239/553.3
D165,883	S	2/1952	Solomon et al.	
2,828,532	A *	4/1958	Taylor	29/890.02
3,028,909	A *	4/1962	Faure	431/53
3,199,571	A *	8/1965	Koppel	431/328
3,526,367	A *	9/1970	Trihey	239/556
3,991,941	A *	11/1976	Dornbach, Jr.	239/552
4,222,526	A *	9/1980	Halstead	239/556
D264,871	S	6/1982	Halstead	
4,940,406	A *	7/1990	Kee	431/22
5,318,438	A *	6/1994	Sugahara et al.	431/285
5,525,054	A *	6/1996	Nakaura et al.	431/285
6,062,849	A *	5/2000	Polidoro	431/354
6,746,236	B2 *	6/2004	Kuriyama et al.	431/354
6,786,717	B2 *	9/2004	Shimazu et al.	431/354
6,916,175	B2 *	7/2005	Cho et al.	431/354
6,960,077	B2 *	11/2005	Buccilli et al.	431/354
2012/0156629	A1 *	6/2012	Akiyama et al.	431/354

FOREIGN PATENT DOCUMENTS

CN	301167808	S	3/2010
CN	301255647	S	6/2010
CN	301255648	S	6/2010
CN	301255649	S	6/2010
CN	301265069	S	6/2010
CN	301272942	S	6/2010
CN	301272943	S	6/2010
CN	301290189	S	7/2010
CN	301290190	S	7/2010
CN	301290191	S	7/2010
CN	301291963	S	7/2010
CN	301291964	S	7/2010
CN	301342837	S	9/2010
CN	301353390	S	9/2010
CN	301353391	S	9/2010
CN	301395312	S	11/2010
CN	301437588	S	1/2011
CN	301437589	S	1/2011
CN	301437590	S	1/2011
CN	301437591	S	1/2011

(Continued)

Primary Examiner — Karen S Acker

(74) *Attorney, Agent, or Firm* — Rader, Fishman & Grauer PLLC

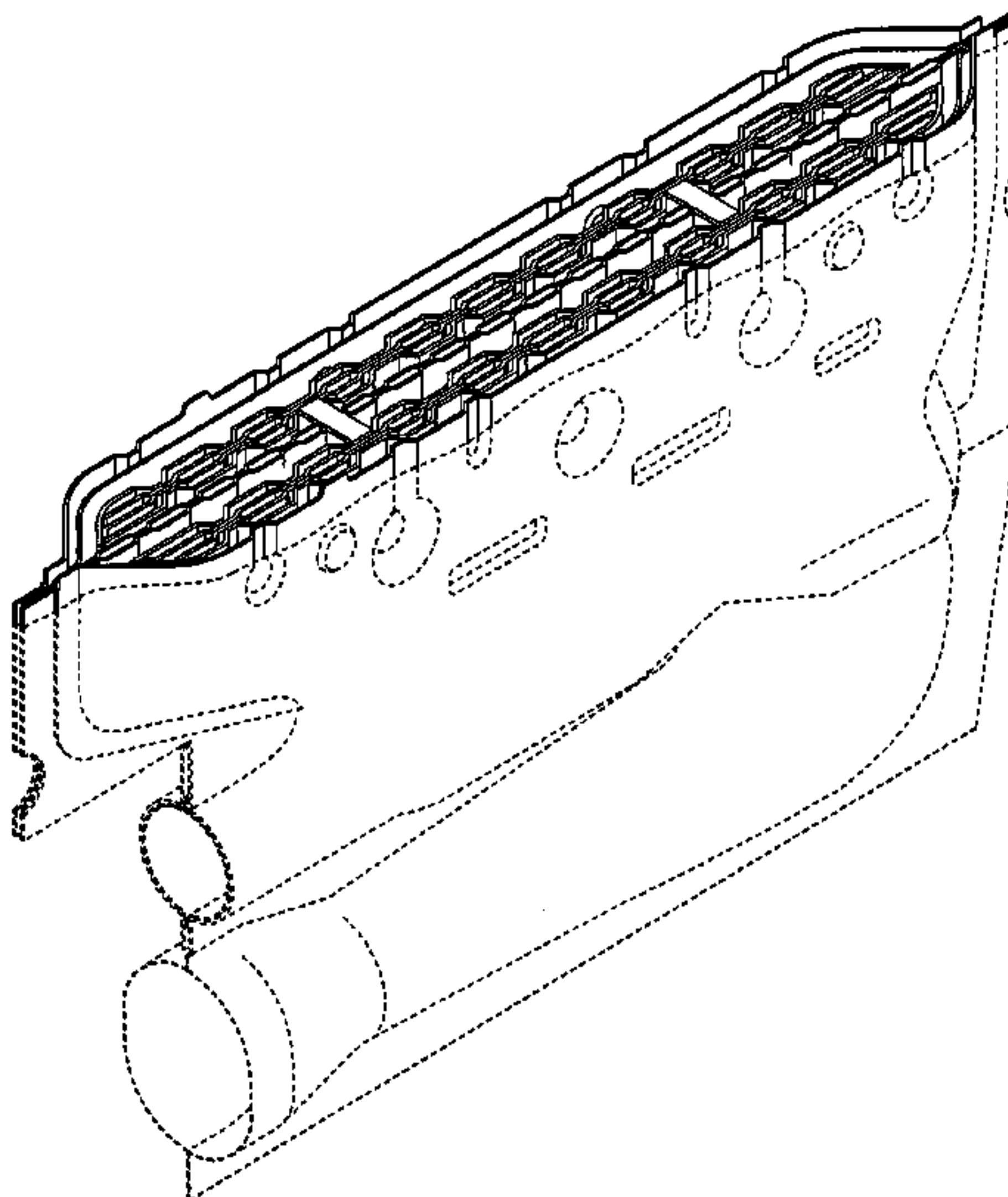
(57) **CLAIM**

The ornamental design for a portion of a burner, as shown and described.

DESCRIPTION

FIG. 1 is a front, top, left perspective view of a portion of a burner showing our new design;
FIG. 2 is a front elevational view thereof, a rear elevational view thereof being a mirror image;
FIG. 3 is a top plan view thereof;
FIG. 4 is a left side elevational view thereof; and,
FIG. 5 is a right side elevational view thereof.
The portions shown as broken lines are for illustrative purposes only and form no part of the claimed design.

1 Claim, 4 Drawing Sheets

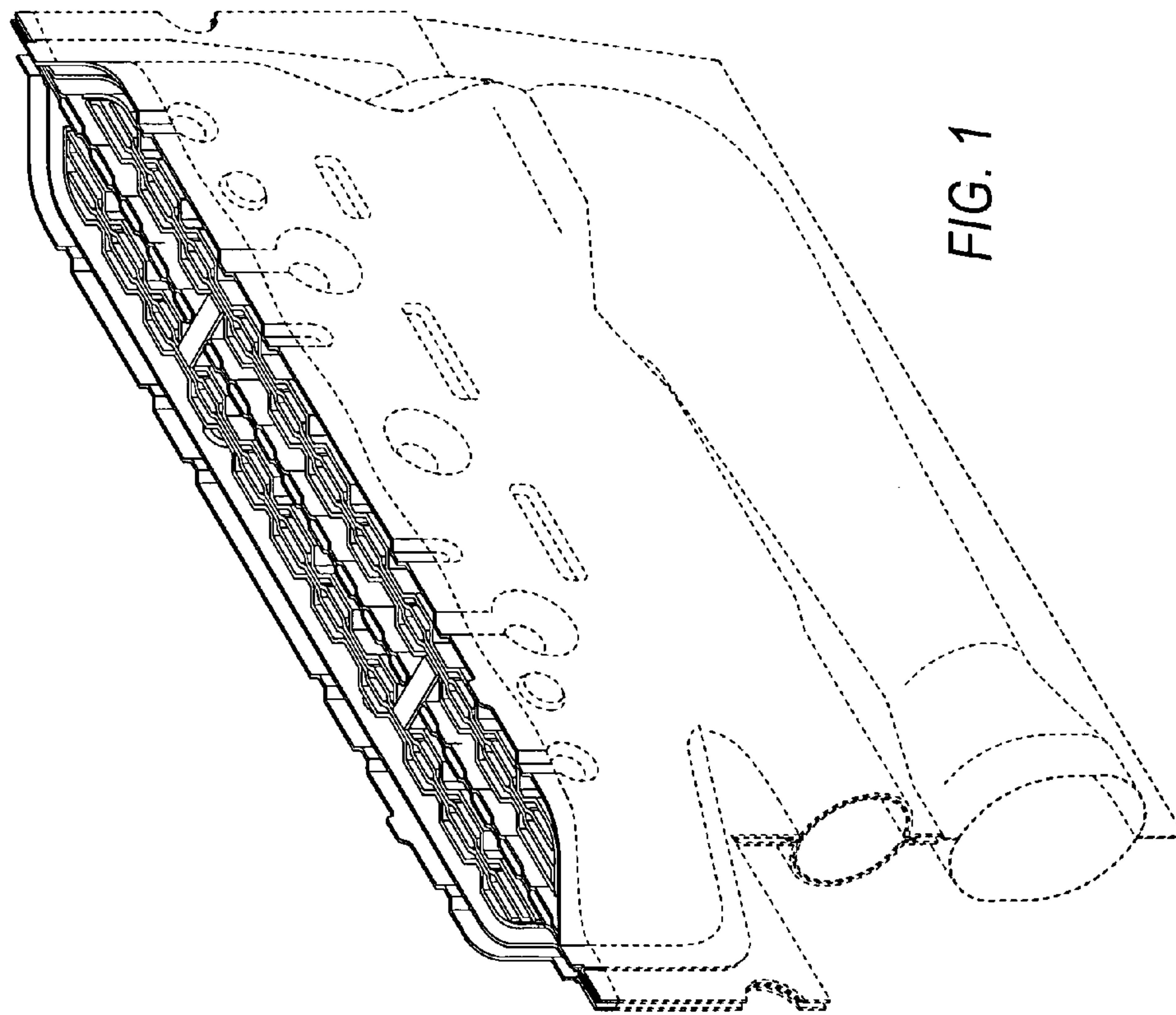


US D672,869 S

Page 2

FOREIGN PATENT DOCUMENTS			JP	D1258633 S	12/2005
CN	301437592 S	1/2011	JP	D1283745 S	10/2006
CN	301437593 S	1/2011			
CN	301478835 S	3/2011			

* cited by examiner



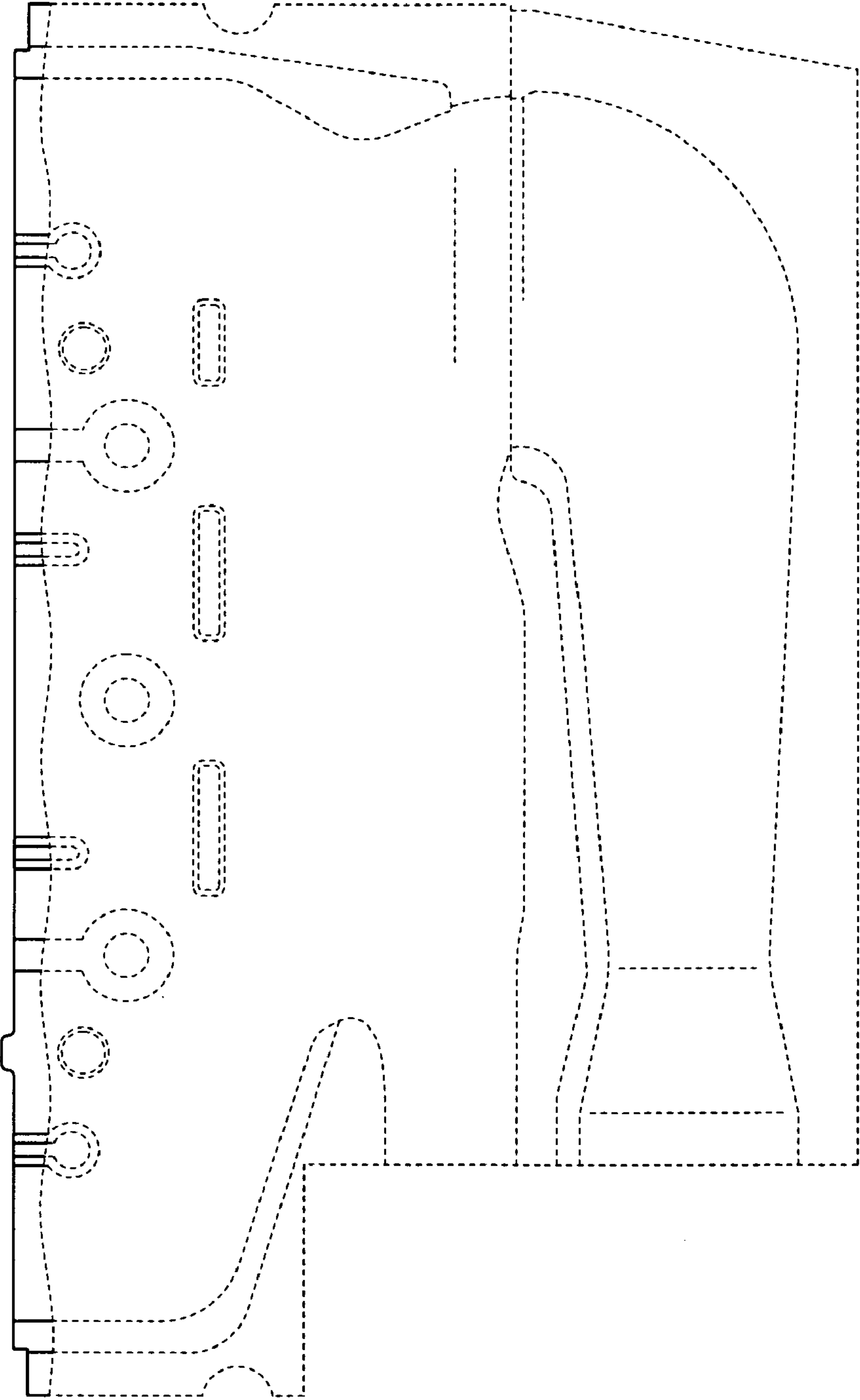


FIG. 2

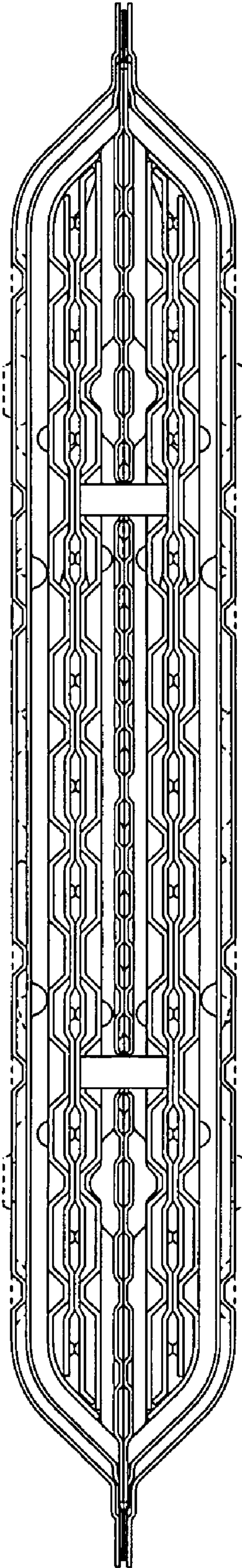


FIG. 3

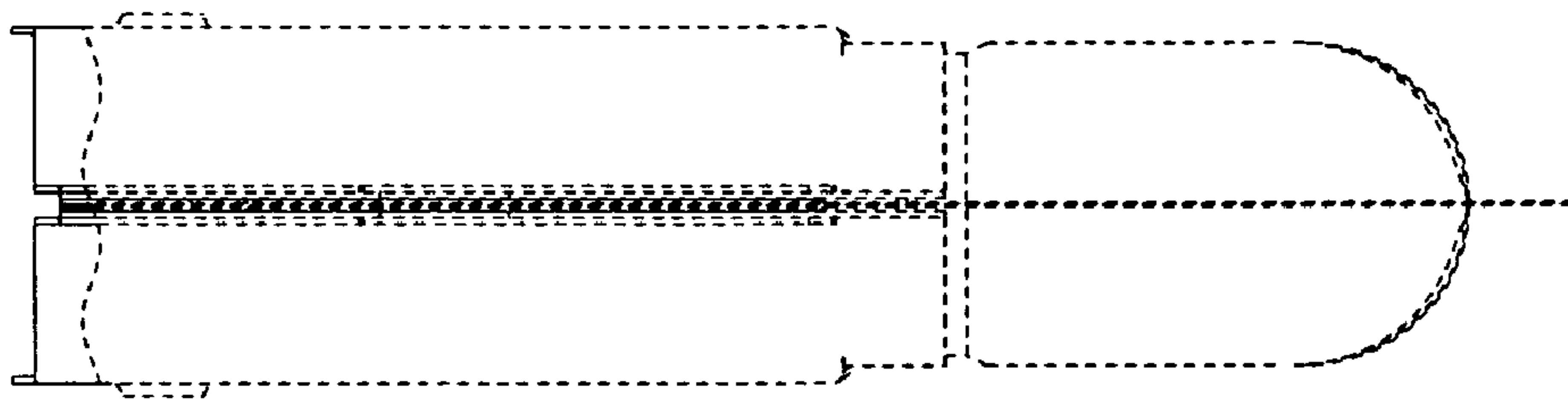


FIG. 5

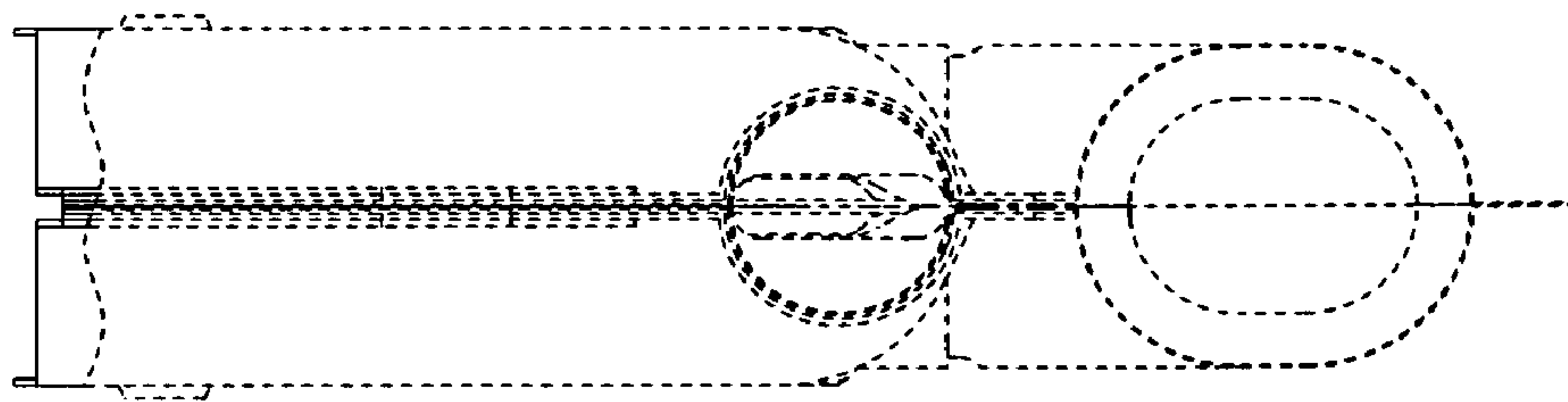


FIG. 4