



US00D672865S

(12) **United States Design Patent**
Miyake et al.

(10) **Patent No.:** **US D672,865 S**
(45) **Date of Patent:** **** Dec. 18, 2012**

(54) **VENTILATING FAN**

FOREIGN PATENT DOCUMENTS

(75) Inventors: **Hiroshi Miyake**, Osaka (JP); **Nobuyuki Mase**, Nara (JP)

JP D1313096 10/2007
JP D1318434 1/2008

* cited by examiner

(73) Assignee: **Panasonic Corporation**, Osaka (JP)

Primary Examiner — Garth Rademaker

(**) Term: **14 Years**

(74) *Attorney, Agent, or Firm* — Brinks Hofer Gilson & Lione

(21) Appl. No.: **29/397,036**

(22) Filed: **Jul. 11, 2011**

(57) **CLAIM**

(51) **LOC (9) Cl.** **23-04**

We claim the ornamental design for a ventilating fan, as shown and described.

(52) **U.S. Cl.** **D23/385**

(58) **Field of Classification Search** D13/179;
D23/370-394, 411-414; D26/51, 59, 72,
D26/81-86; 34/169; 52/302.1, 302.7; 55/DIG. 36;
123/41.7; 126/58, 60, 61, 64-66, 84, 299 D-299 F,
126/299 R, 300, 301, 312, 531; 138/118,
138/121, 172, 173, 177; 165/54, 59; 285/133.6;
392/364; 415/126, 127, 213.1, 214.1; 416/5,
416/204 R, 210 R, 234, 237, 244 R, 247 R;
454/41, 42, 233, 236, 250-253, 275-277,
454/284, 309, 367, 368

DESCRIPTION

See application file for complete search history.

FIG. 1 is a front perspective view of a ventilating fan showing the present invention;
FIG. 2 is a front view thereof;
FIG. 3 is a rear view thereof;
FIG. 4 is a side view thereof;
FIG. 5 is an opposite side view thereof;
FIG. 6 is a top view thereof; and,
FIG. 7 is a bottom view thereof.

The evenly-spaced broken lines depict portions of the ventilating fan which form no part of the claimed design. The unevenly-spaced broken lines depict the boundaries of the claimed design and form no part of the claimed design.

(56) **References Cited**

U.S. PATENT DOCUMENTS

D338,709 S * 8/1993 Lin D23/370
D514,221 S 1/2006 Vladika
D543,270 S * 5/2007 Miura et al. D23/385
D570,465 S * 6/2008 Miyake et al. D23/371

1 Claim, 7 Drawing Sheets

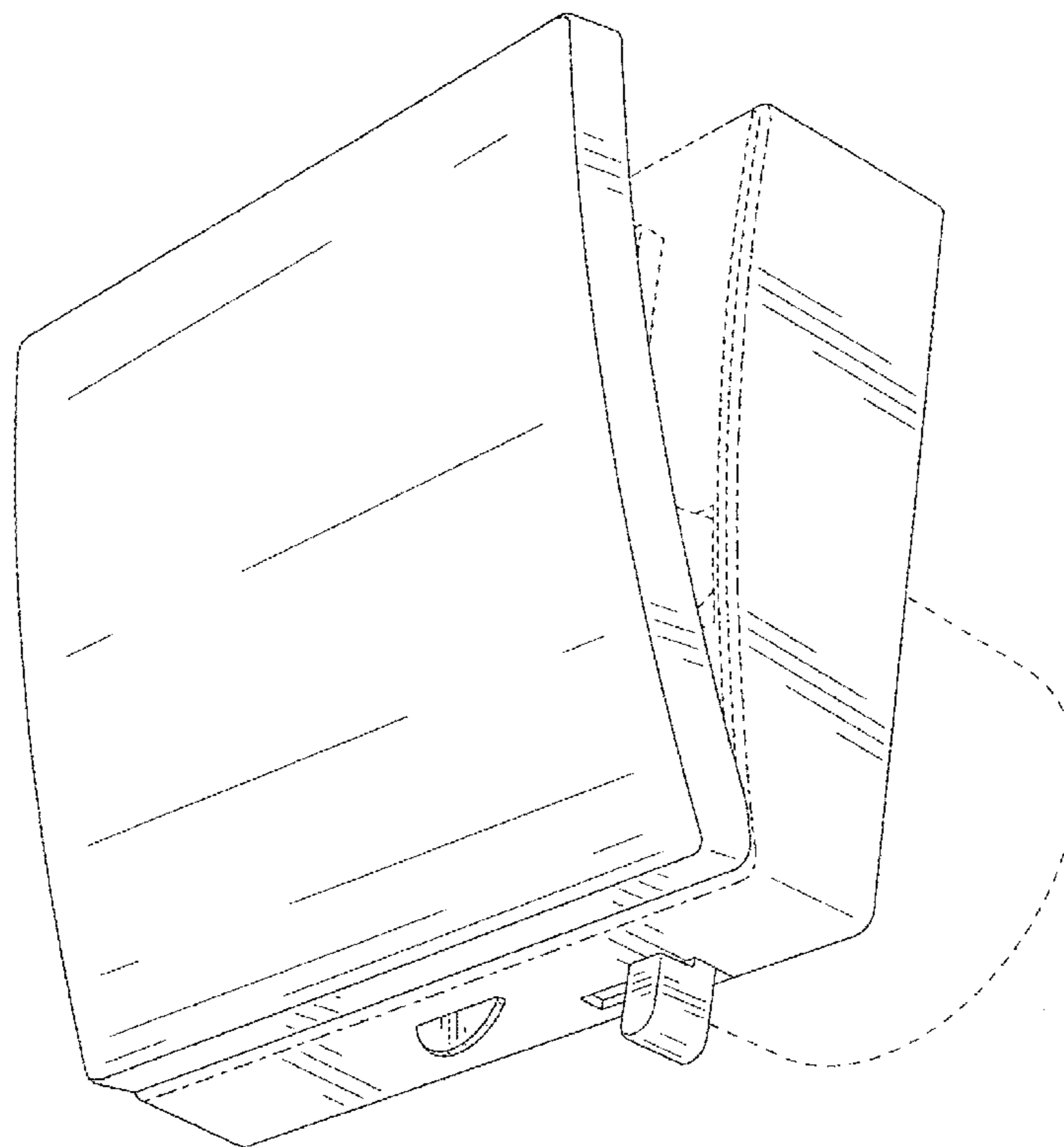


FIG.1

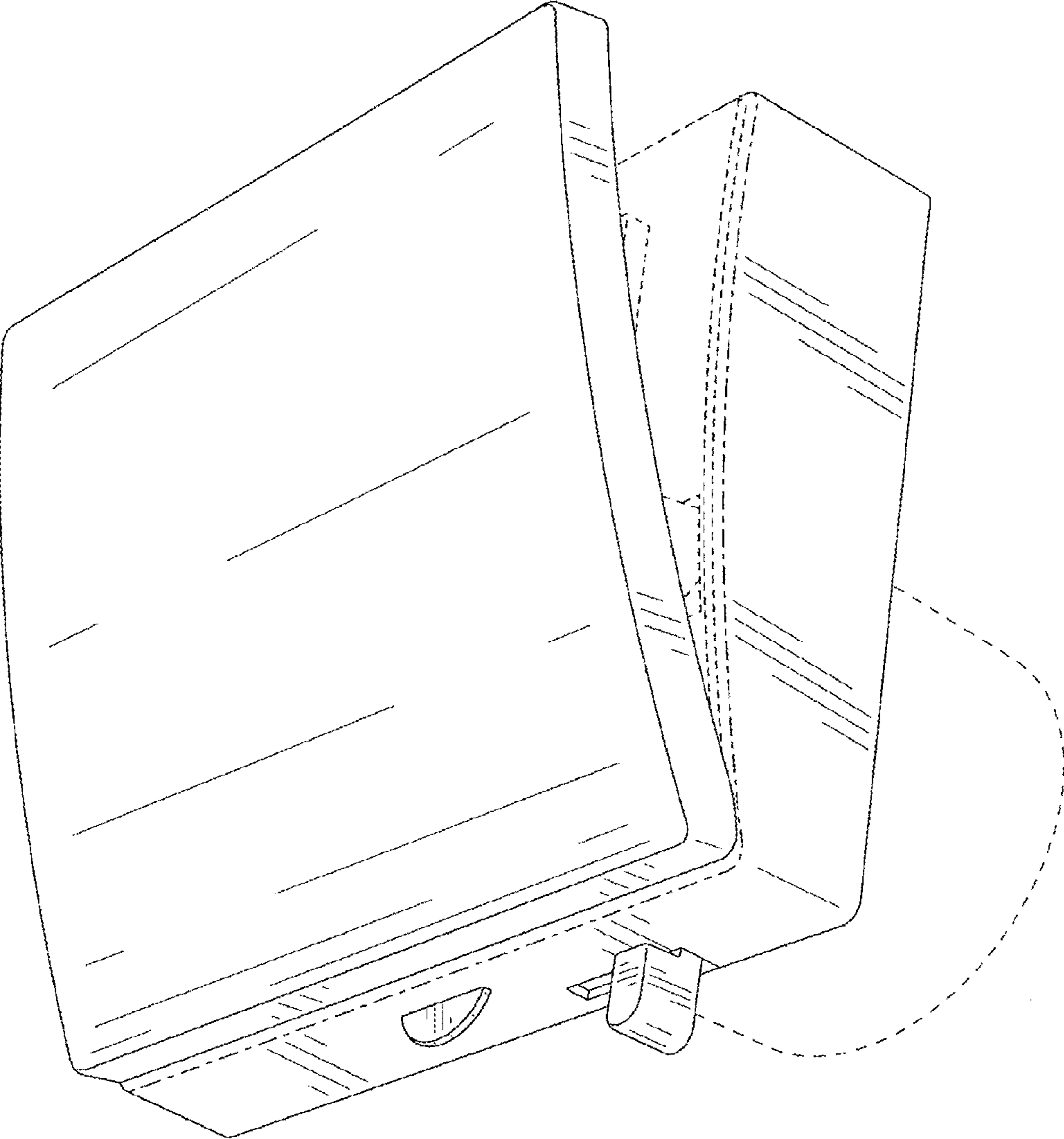


FIG.2

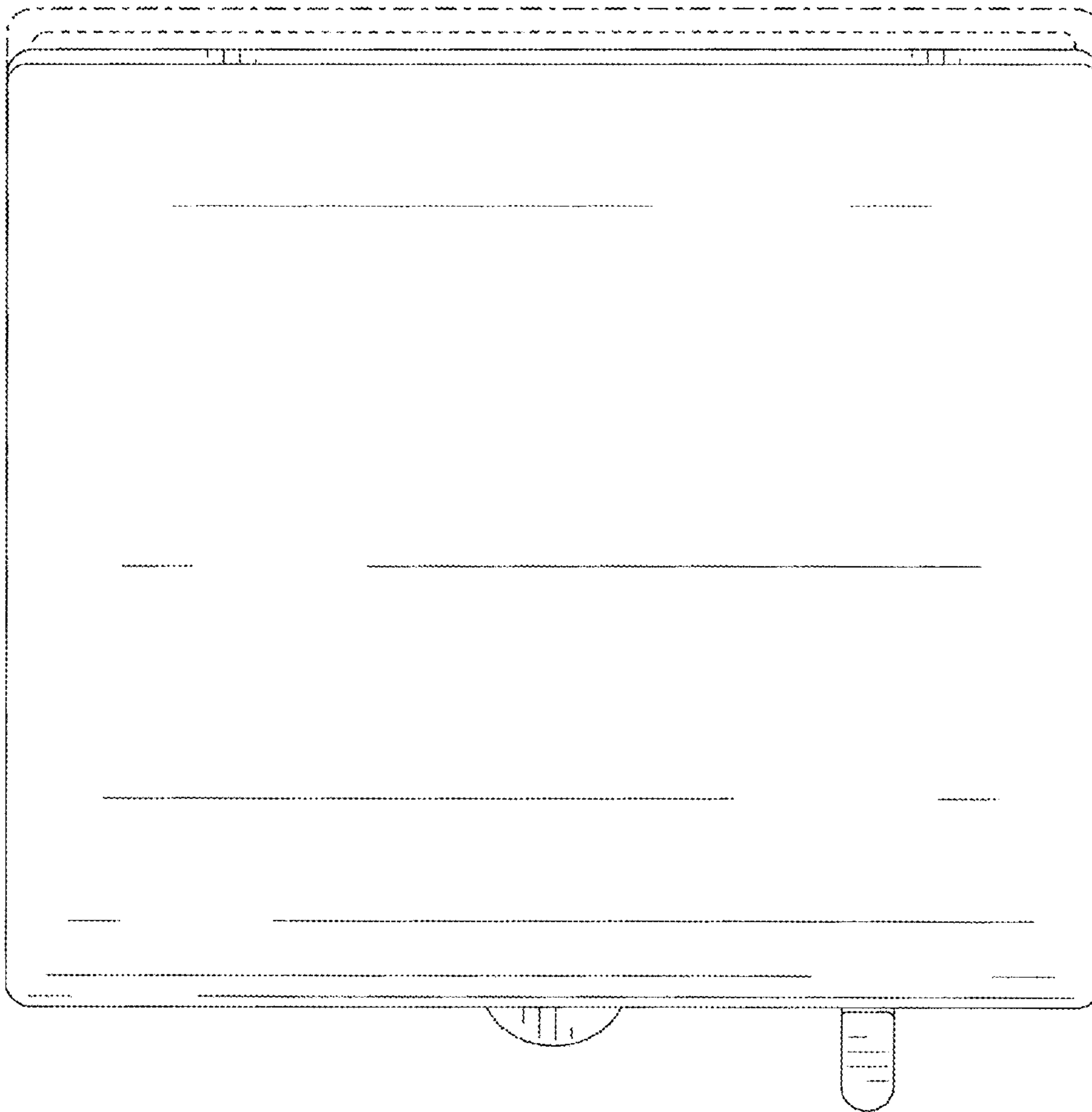


FIG.3

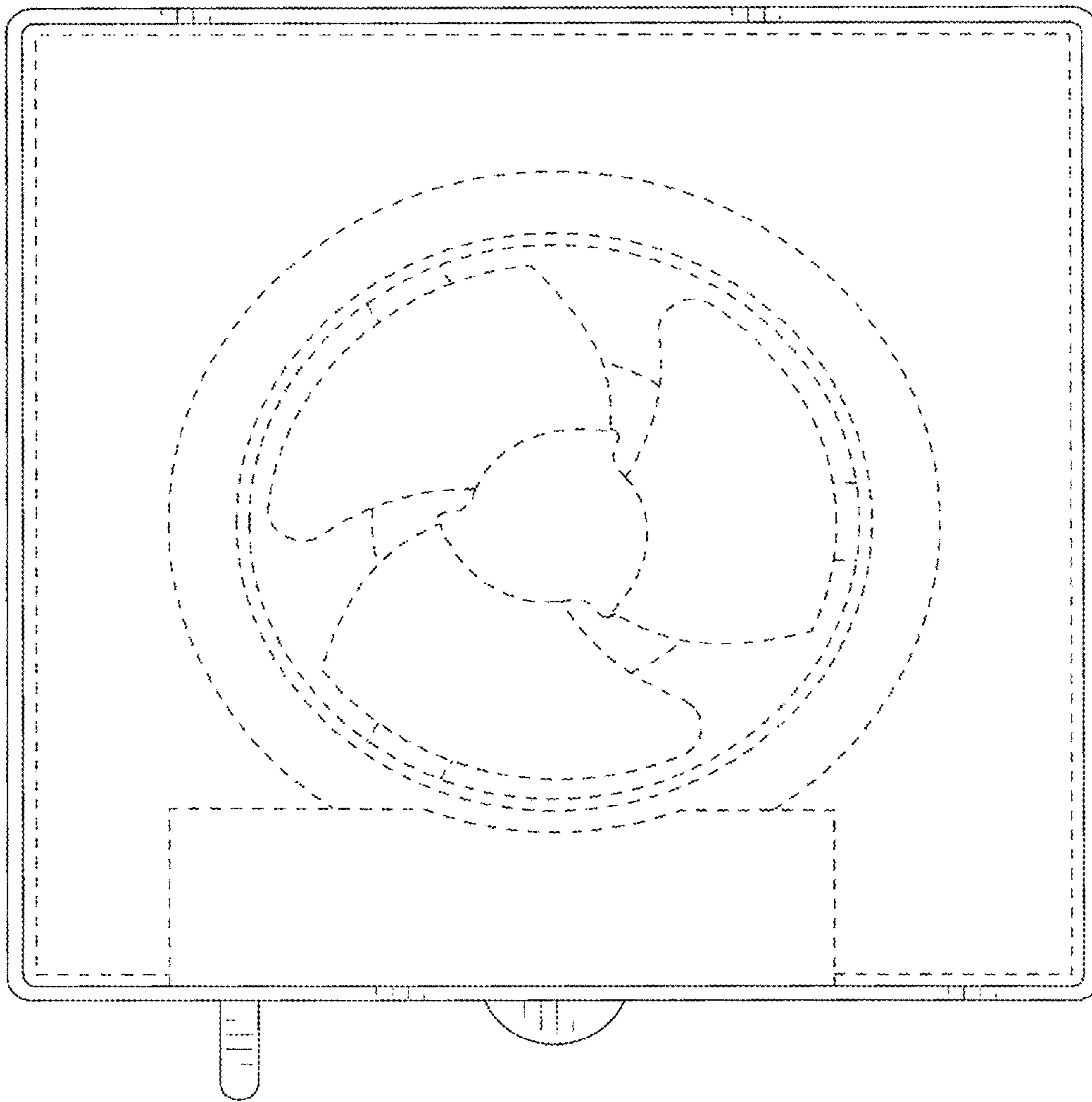


FIG.4

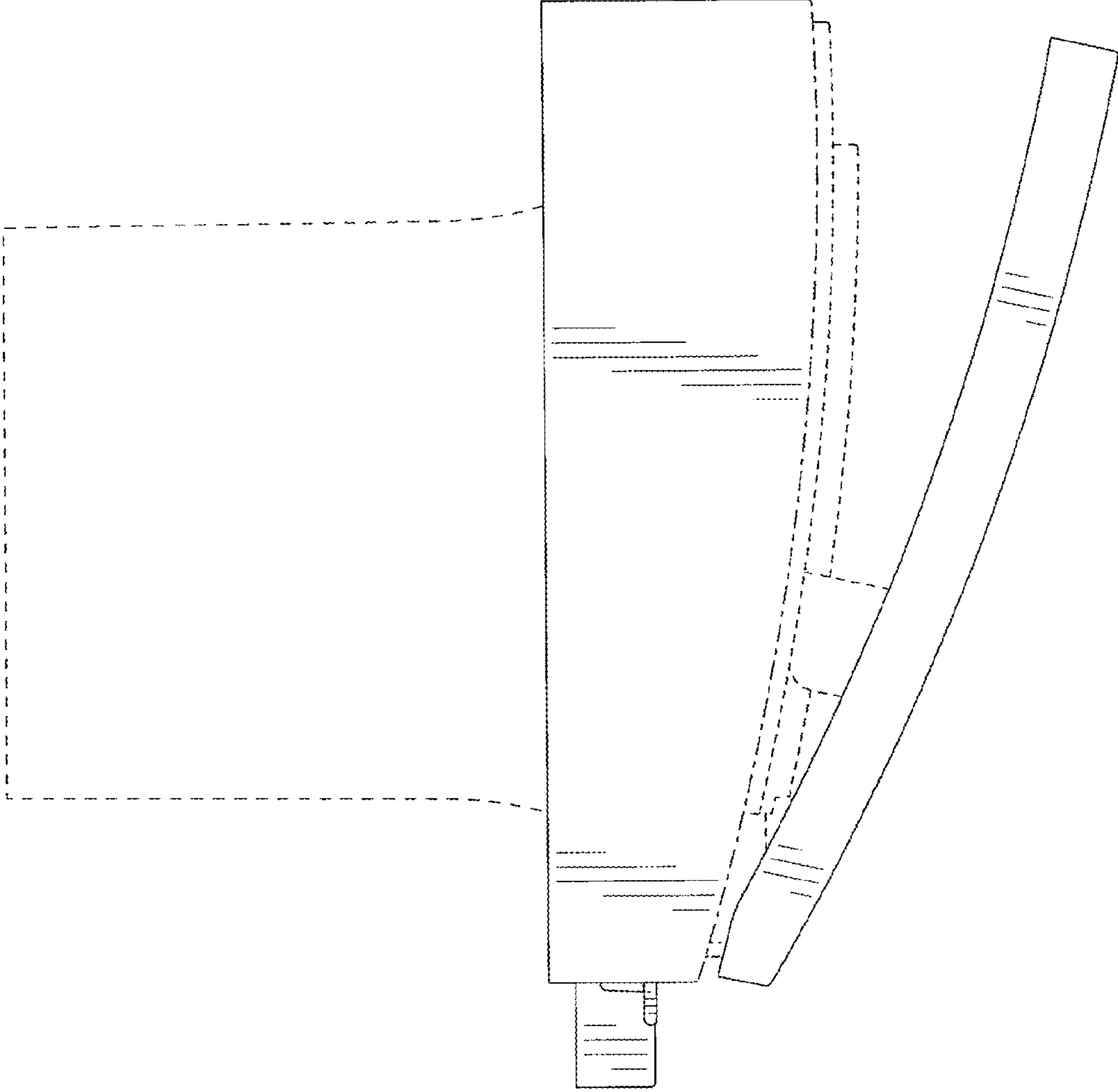


FIG. 5

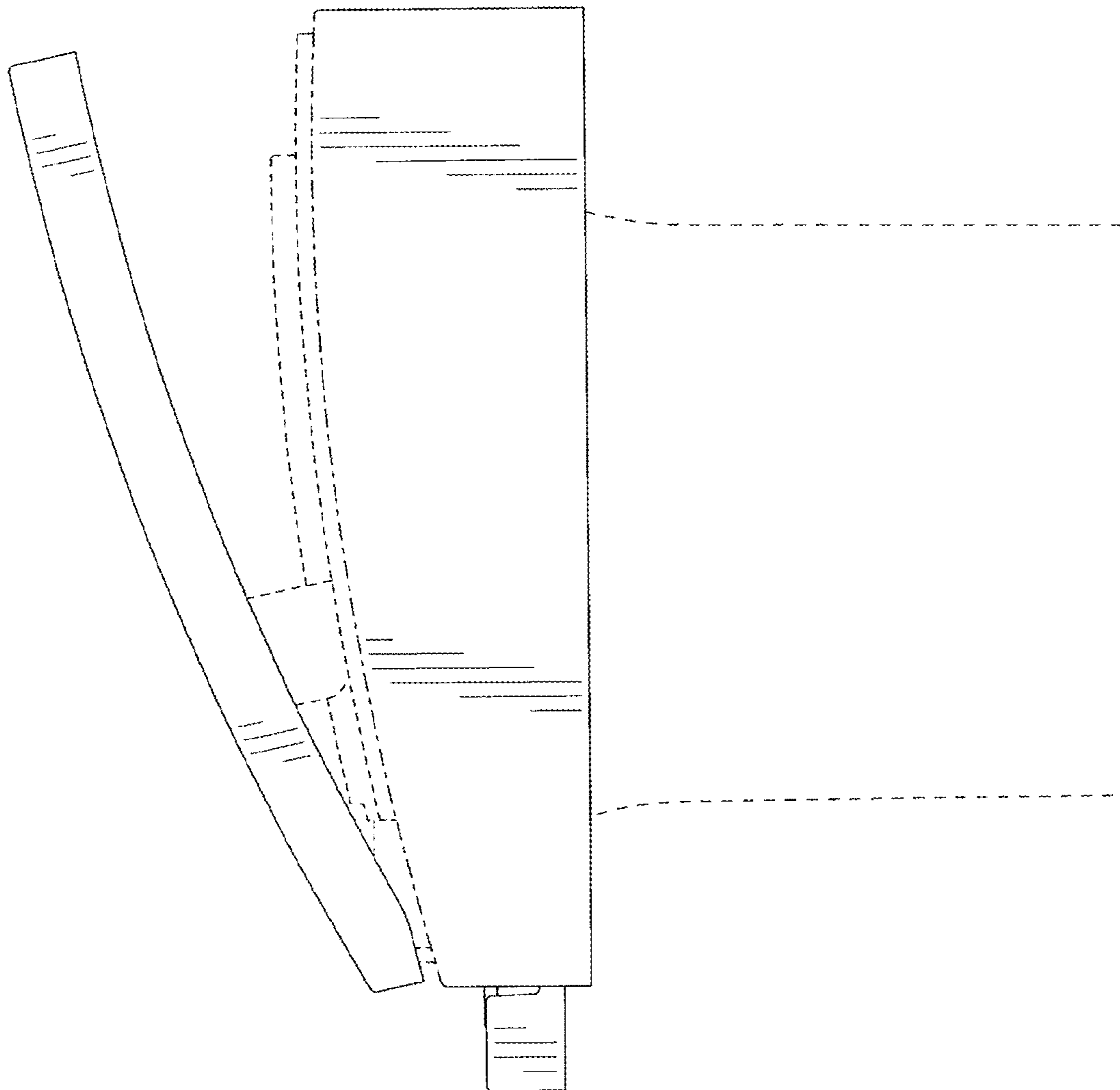


FIG. 6

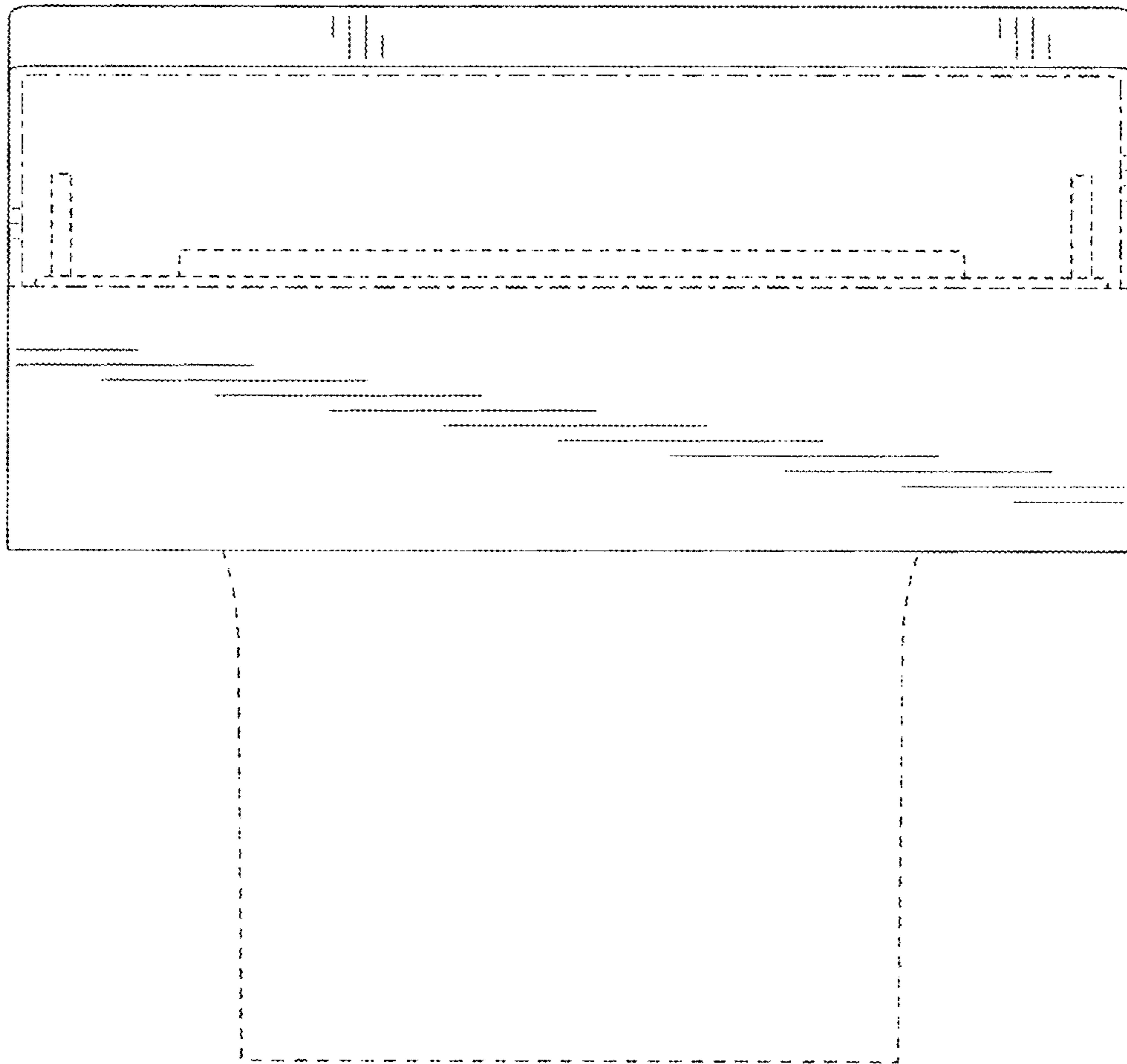


FIG. 7

