

US00D672864S

(12) **United States Design Patent**  
**Miyake et al.**

(10) **Patent No.:** **US D672,864 S**

(45) **Date of Patent:** **\*\* Dec. 18, 2012**

(54) **COMBINED CEILING LIGHT AND VENTILATING FAN**

(75) Inventors: **Hiroshi Miyake**, Osaka (JP); **Nobuyuki Mase**, Nara (JP)

(73) Assignee: **Panasonic Corporation**, Osaka (JP)

(\*\*) Term: **14 Years**

(21) Appl. No.: **29/386,368**

(22) Filed: **Feb. 28, 2011**

(51) **LOC (9) Cl.** ..... **23-04**

(52) **U.S. Cl.** ..... **D23/385; D26/59**

(58) **Field of Classification Search** ..... D13/179;  
D23/370-394, 411-414; D26/51, 59, 72,  
D26/81-86; 34/169; 52/302.1, 302.7; 55/DIG. 36;  
123/41.7; 126/58, 60, 61, 64-66, 84, 299 D-299 F,  
126/299 R, 300, 301, 312, 531; 138/118,  
138/121, 172, 173, 177; 165/54, 59; 285/133.6;  
392/364; 415/126, 127, 213.1, 214.1; 416/5,  
416/204 R, 210 R, 234, 237, 244 R, 247 R;  
454/41, 42, 233, 236, 250-253, 275-277,  
454/284, 309, 367, 368

See application file for complete search history.

(56) **References Cited**

**U.S. PATENT DOCUMENTS**

D319,499 S \* 8/1991 Hague ..... D23/370  
D366,522 S \* 1/1996 Lagace et al. .... D23/370  
D414,257 S \* 9/1999 Estrada ..... D23/393

7,175,309 B2 \* 2/2007 Craw et al. .... 362/253  
7,203,416 B2 \* 4/2007 Craw et al. .... 392/350  
D562,489 S 2/2008 Rashidi  
D562,490 S 2/2008 Rashidi  
D563,542 S 3/2008 Wettergren  
D579,101 S \* 10/2008 Whittenberger et al. .... D23/386  
7,455,432 B2 \* 11/2008 Craw et al. .... 362/373  
2007/0201236 A1 \* 8/2007 Craw et al. .... 362/373

\* cited by examiner

*Primary Examiner* — Garth Rademaker

(74) *Attorney, Agent, or Firm* — Brinks Hofer Gilson & Lione

(57) **CLAIM**

We claim the ornamental design for a combined ceiling light and ventilating fan, as shown and described.

**DESCRIPTION**

FIG. 1 is a front perspective view of a combined ceiling light and ventilating fan of the present invention;  
FIG. 2 is a front view thereof;  
FIG. 3 is a rear view thereof;  
FIG. 4 is a side view thereof;  
FIG. 5 is an opposite side view thereof;  
FIG. 6 is a top view thereof; and,  
FIG. 7 is a bottom view thereof.  
The broken lines depict environmental subject matter which forms no part of the claimed design.

**1 Claim, 6 Drawing Sheets**

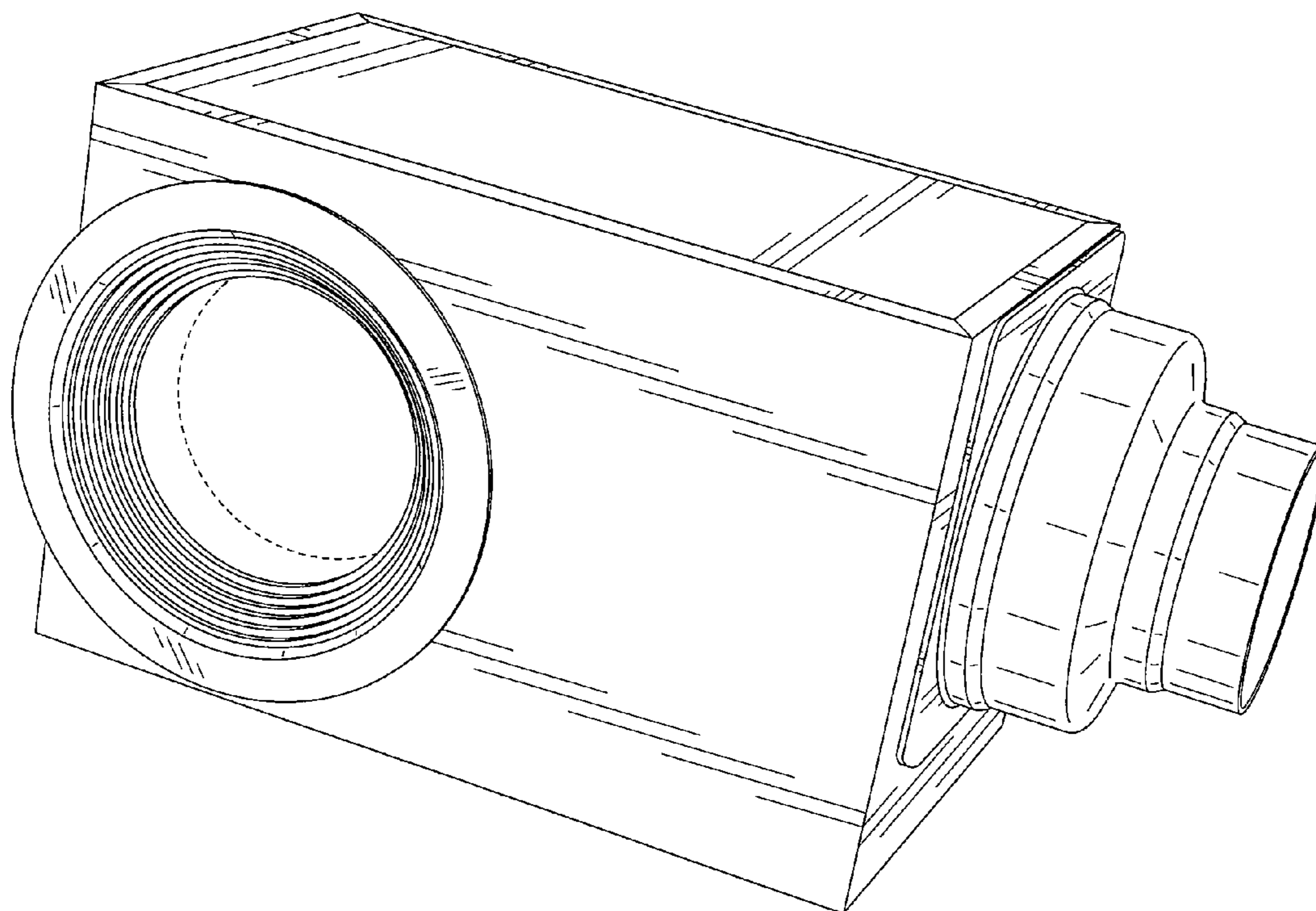


FIG.1

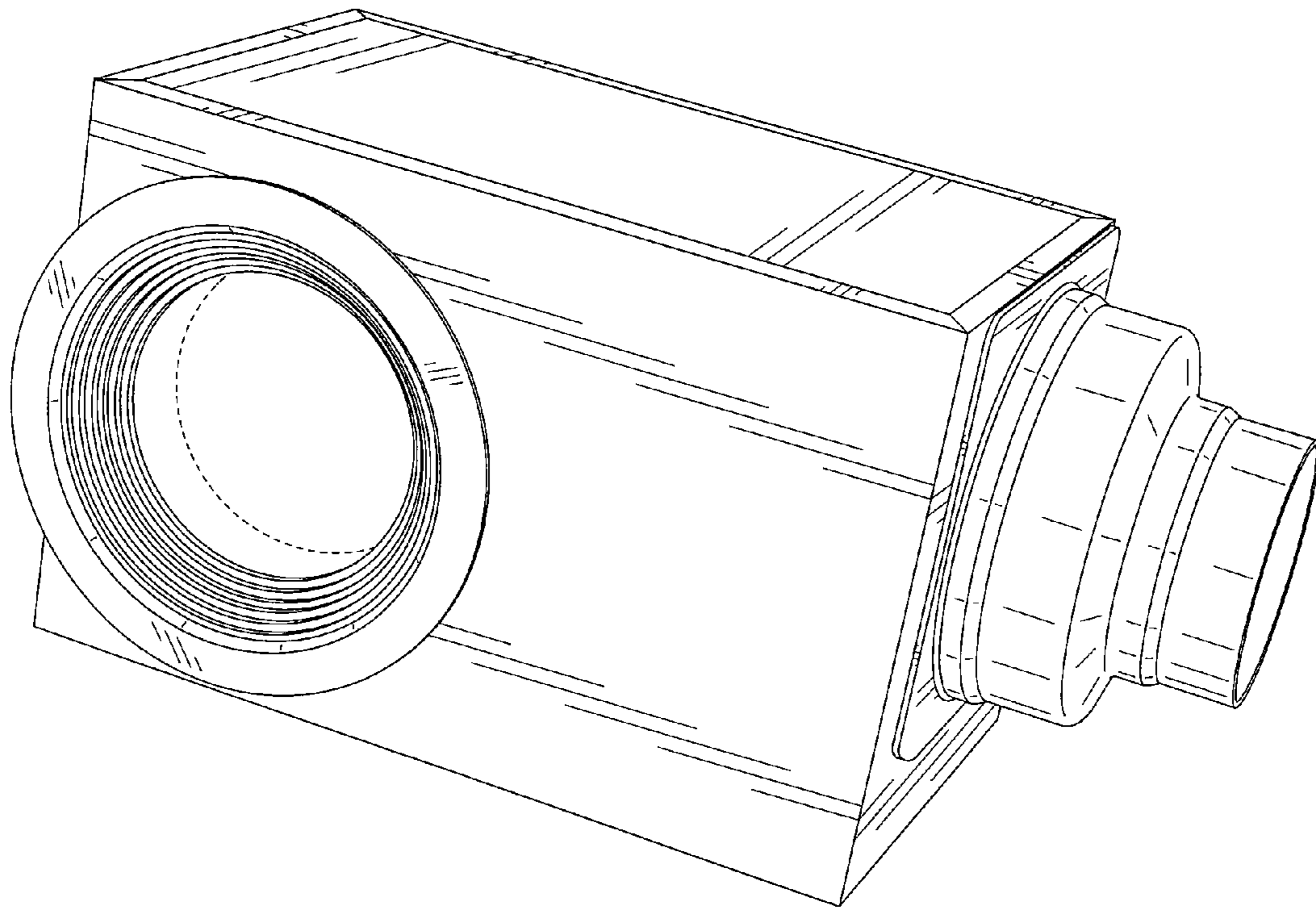
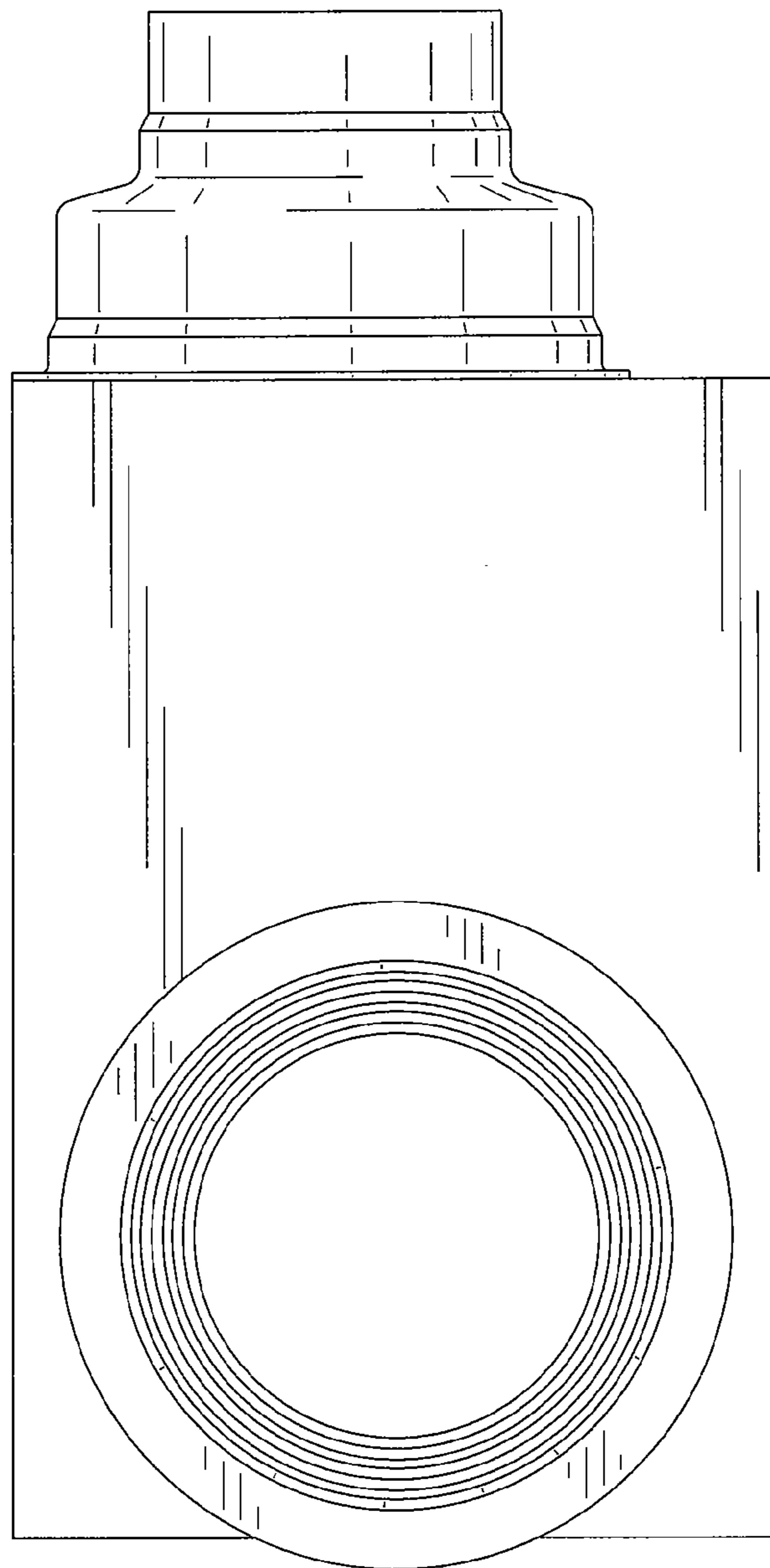


FIG.2



**FIG.3**

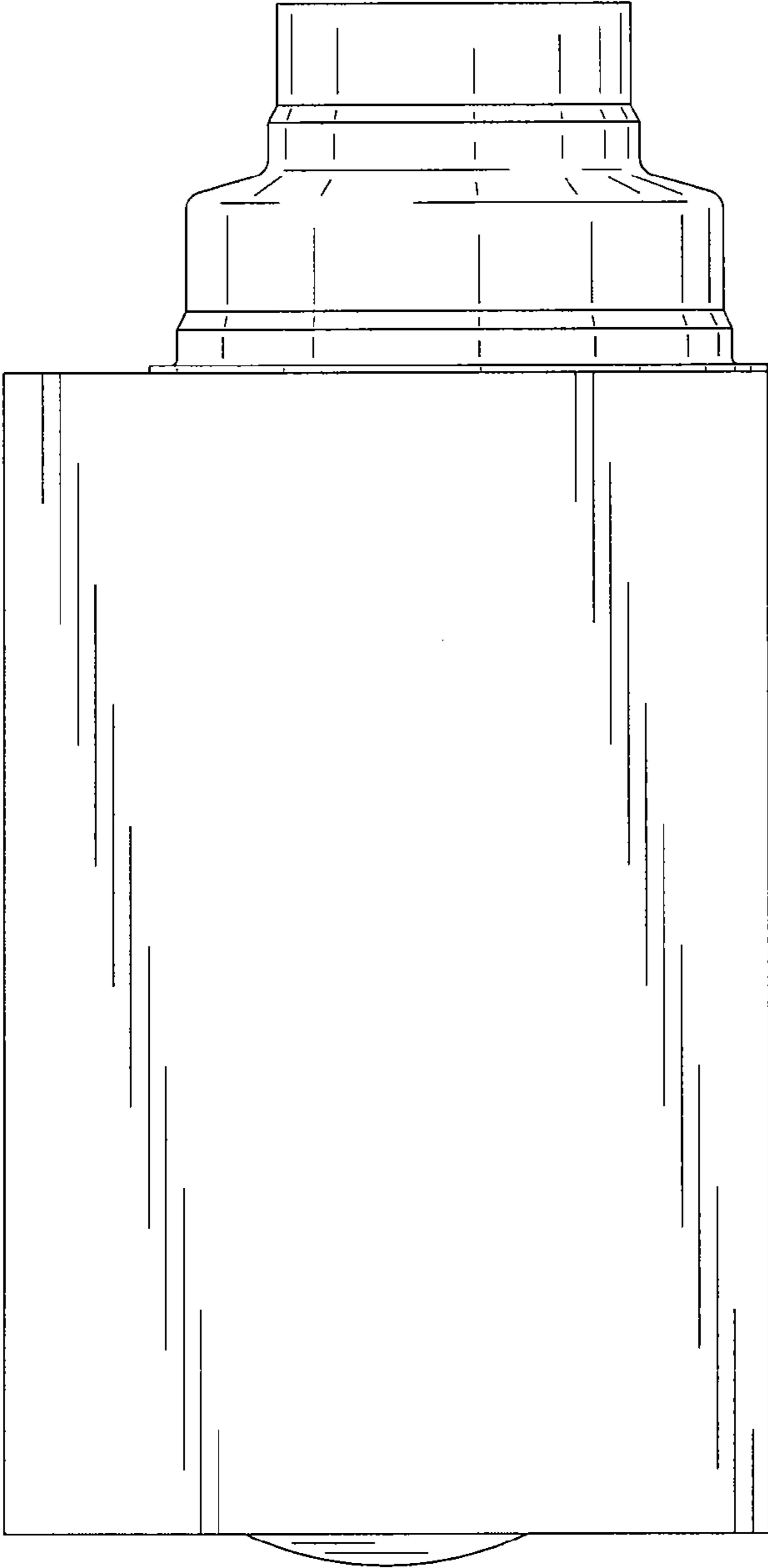
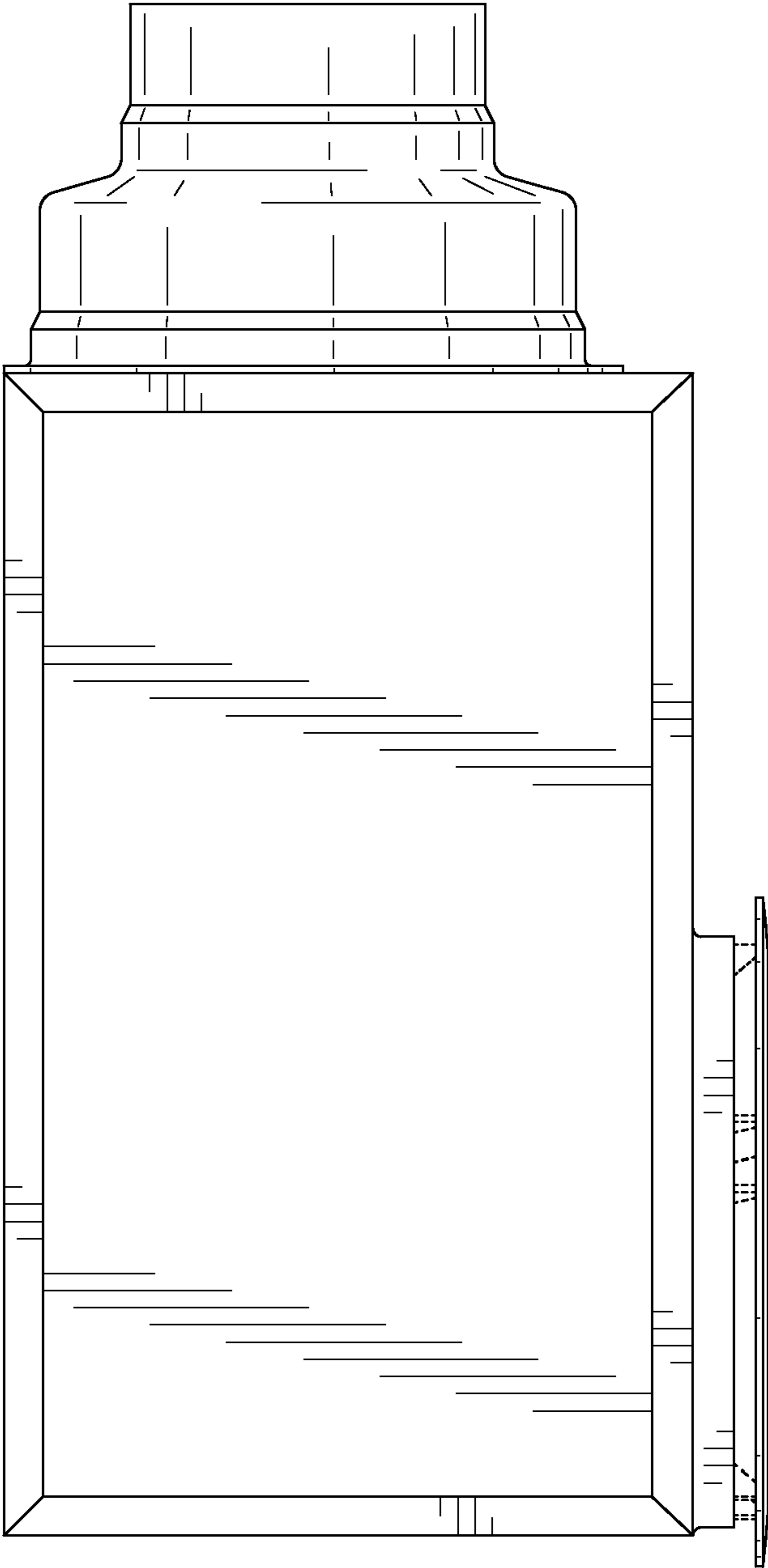
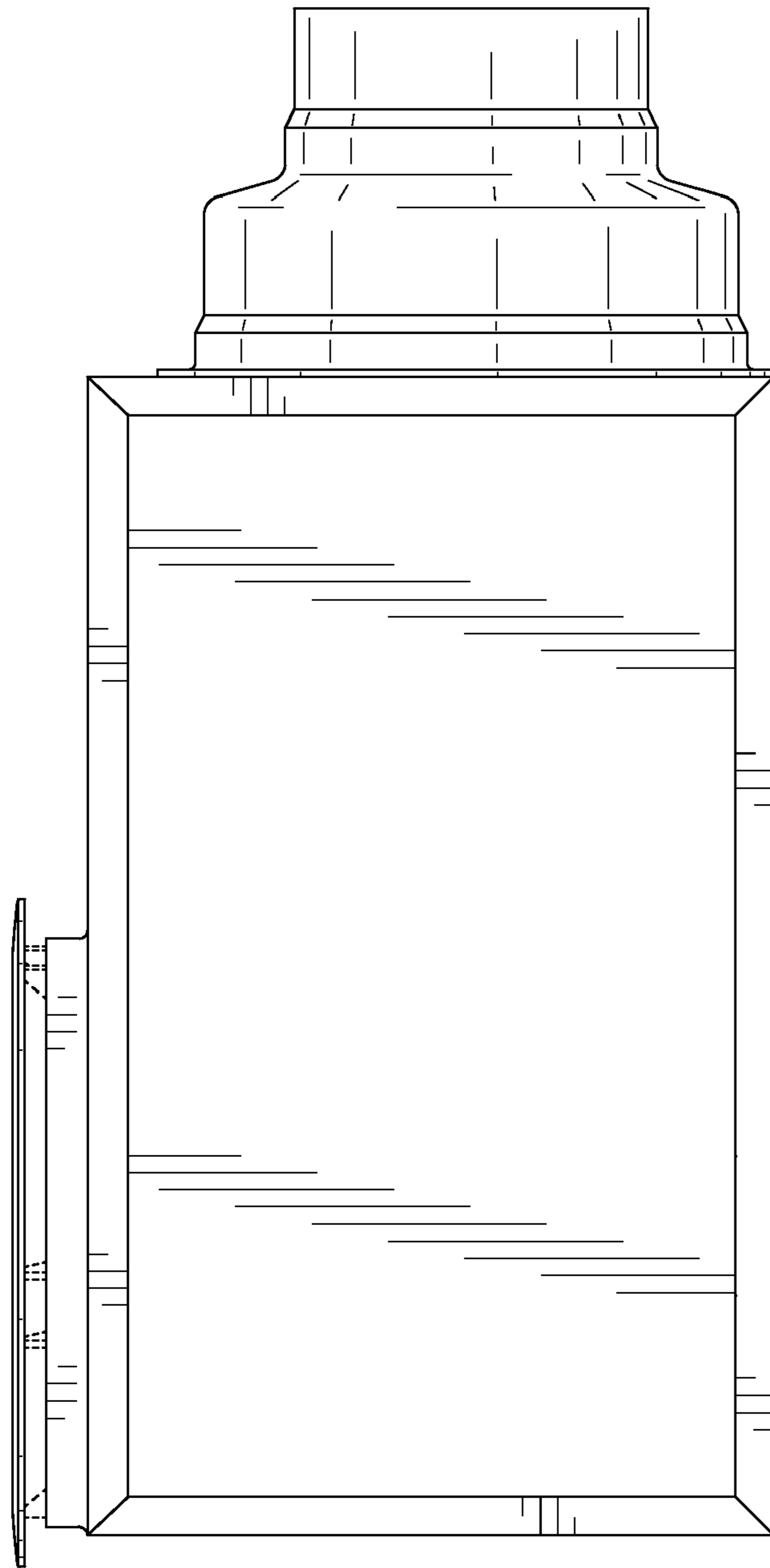


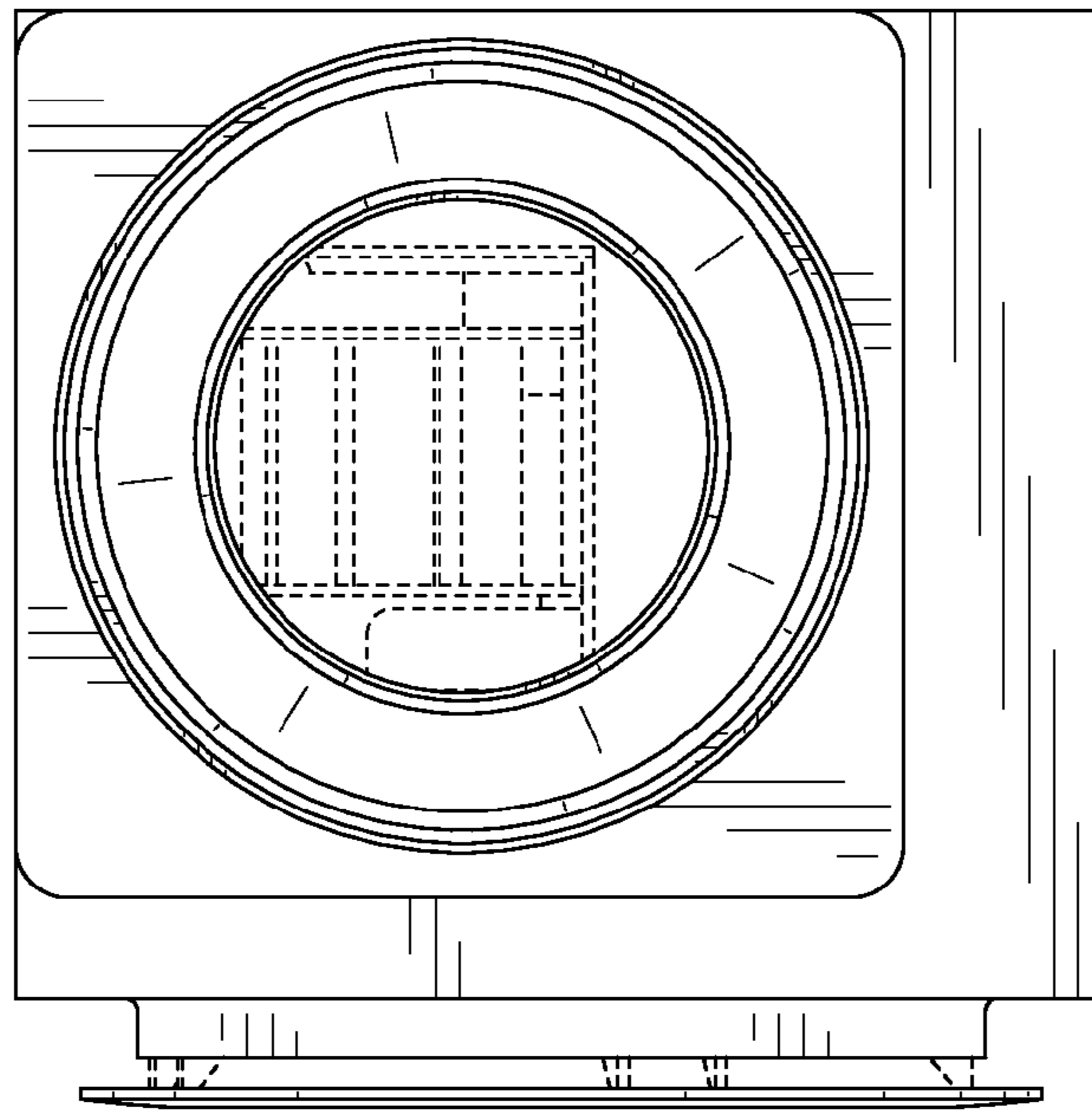
FIG.4



**FIG.5**



**FIG.6**



**FIG.7**

