



US00D672861S

(12) **United States Design Patent**
Adair et al.

(10) **Patent No.:** **US D672,861 S**
(45) **Date of Patent:** **** Dec. 18, 2012**

(54) **VOLATILE MATERIAL DISPENSER**

(75) Inventors: **Joel E. Adair**, Racine, WI (US); **Brian T. Davis**, Burlington, WI (US); **Bradley H. Price**, Brooklyn, NY (US); **Shigeru G. Natsume**, Brooklyn, NY (US); **Jesse Richard**, Racine, WI (US); **Kamran Faterioun**, New Berlin, WI (US); **Sebastian D. Hasik**, Antioch, IL (US)

(73) Assignee: **S.C. Johnson & Son, Inc.**, Racine, WI (US)

(**) Term: **14 Years**

(21) Appl. No.: **29/428,482**

(22) Filed: **Jul. 31, 2012**

(51) **LOC (9) Cl.** **28-99**

(52) **U.S. Cl.** **D23/366**

(58) **Field of Classification Search** D23/355-369;
D28/5, 6; 261/DIG. 17, DIG. 42, DIG. 65,
261/DIG. 88, DIG. 89, DIG. 47, DIG. 55,
261/DIG. 70; 392/356, 390, 392, 394, 395;
239/34, 44, 53, 55, 56, 326, 60, 308
See application file for complete search history.

(56) **References Cited**

U.S. PATENT DOCUMENTS

3,288,556	A	11/1966	Weber, III	
4,251,714	A	2/1981	Zobebe	
4,771,563	A	9/1988	Easley	
4,874,924	A	10/1989	Yamamoto et al.	
5,038,394	A	8/1991	Hasegawa et al.	
5,222,186	A	6/1993	Schimanski et al.	
5,647,053	A	7/1997	Schroeder et al.	
5,940,577	A	8/1999	Steinel	
D461,549	S *	8/2002	Garcia D23/360
D462,755	S *	9/2002	Basaganas Millan D23/366
6,446,384	B2	9/2002	Pedrotti et al.	

6,487,367	B2	11/2002	Vieira	
6,501,906	B2	12/2002	Vieira	
6,563,091	B2	5/2003	Vieira	
6,594,445	B2	7/2003	Basaganas Millan	
6,782,194	B2	8/2004	Schneiderbauer	
6,859,615	B2	2/2005	Yip et al.	
6,909,840	B2	6/2005	Harwig et al.	
7,014,818	B2	3/2006	Rymer	
D533,930	S *	12/2006	Keller et al. D23/366
7,167,641	B2	1/2007	Tam et al.	
7,519,279	B2	4/2009	Zobebe	
D604,402	S *	11/2009	Tomas Vilarasa et al.	... D23/366
D607,553	S *	1/2010	Roller D23/366
7,962,017	B2	6/2011	Viera	

* cited by examiner

Primary Examiner — Sandra Snapp

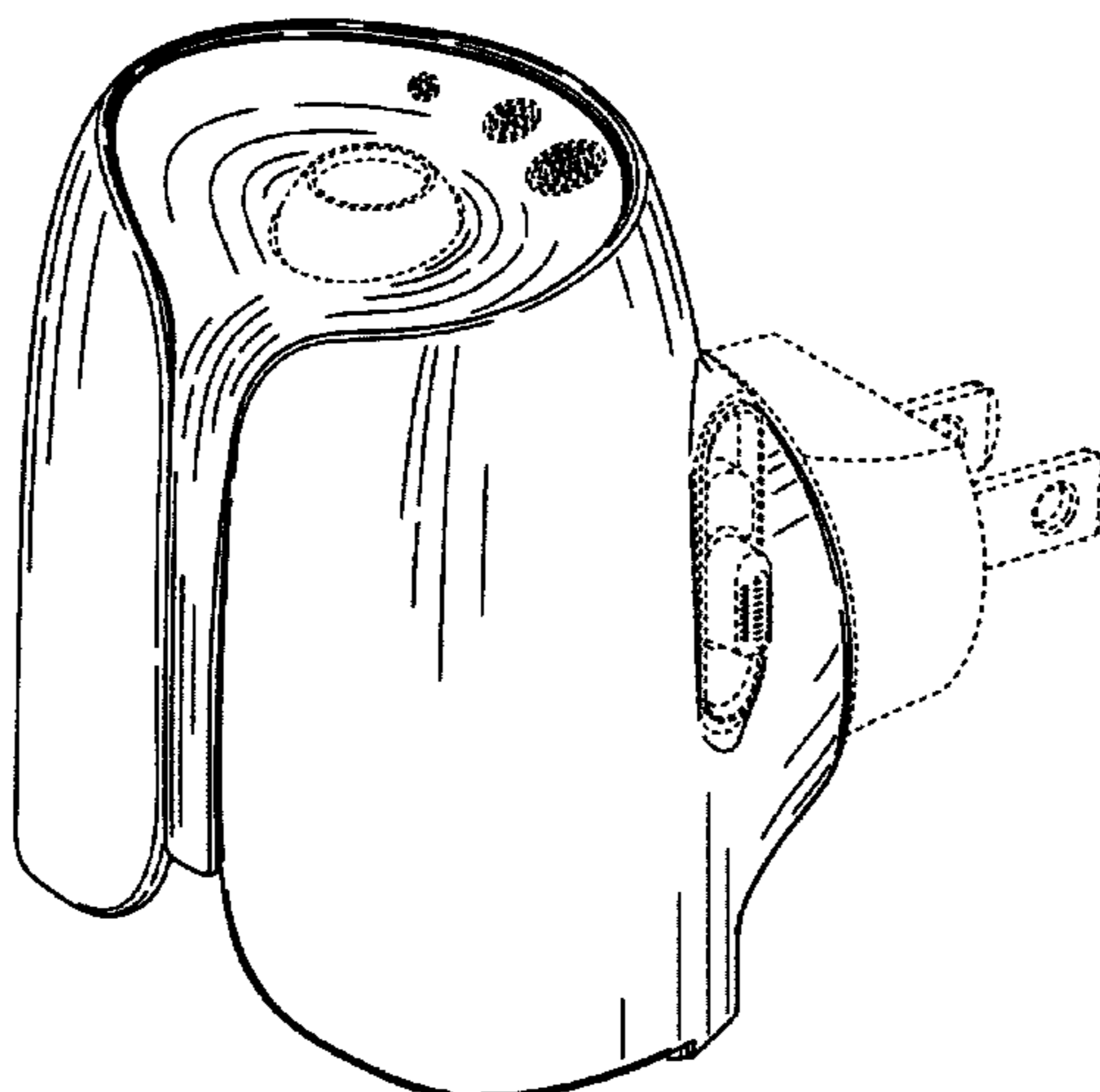
(57) **CLAIM**

The ornamental design for a volatile material dispenser, as shown and described.

DESCRIPTION

FIG. 1 is a top isometric view of an ornamental design for a volatile material dispenser;
FIG. 2 is a front elevational view of the volatile material dispenser of FIG. 1;
FIG. 3 is a rear elevational view of the volatile material dispenser of FIG. 1;
FIG. 4 is an elevational view of a first side of the volatile material dispenser of FIG. 1;
FIG. 5 is an elevational view of a second side of the volatile material dispenser of FIG. 1;
FIG. 6 is a top plan view of the volatile material dispenser of FIG. 1; and,
FIG. 7 is a bottom plan view of the volatile material dispenser of FIG. 1.
The broken lines in the drawings depict environmental subject matter only and form no part of the claimed design.

1 Claim, 7 Drawing Sheets



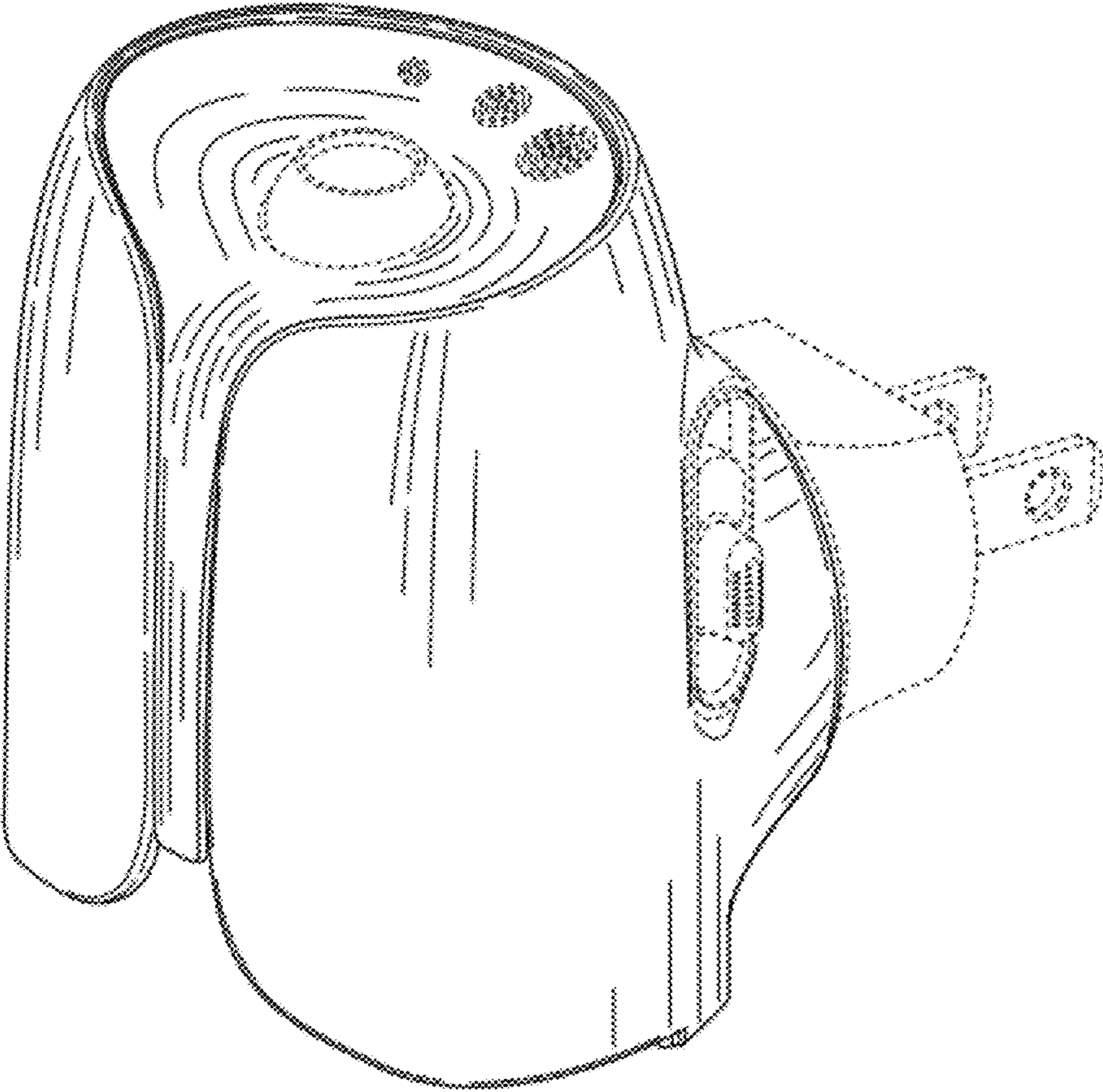


FIG. 1

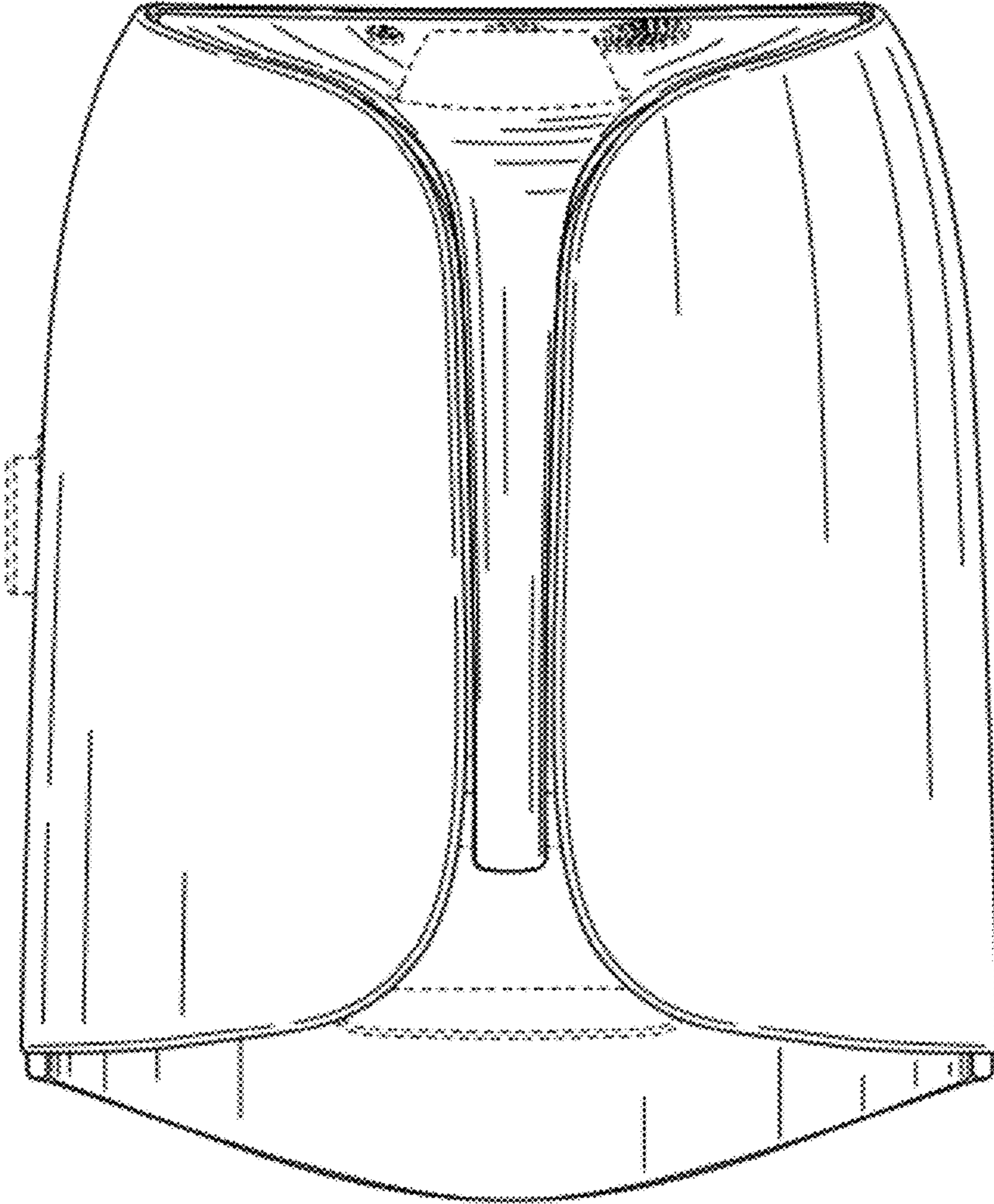


FIG. 2

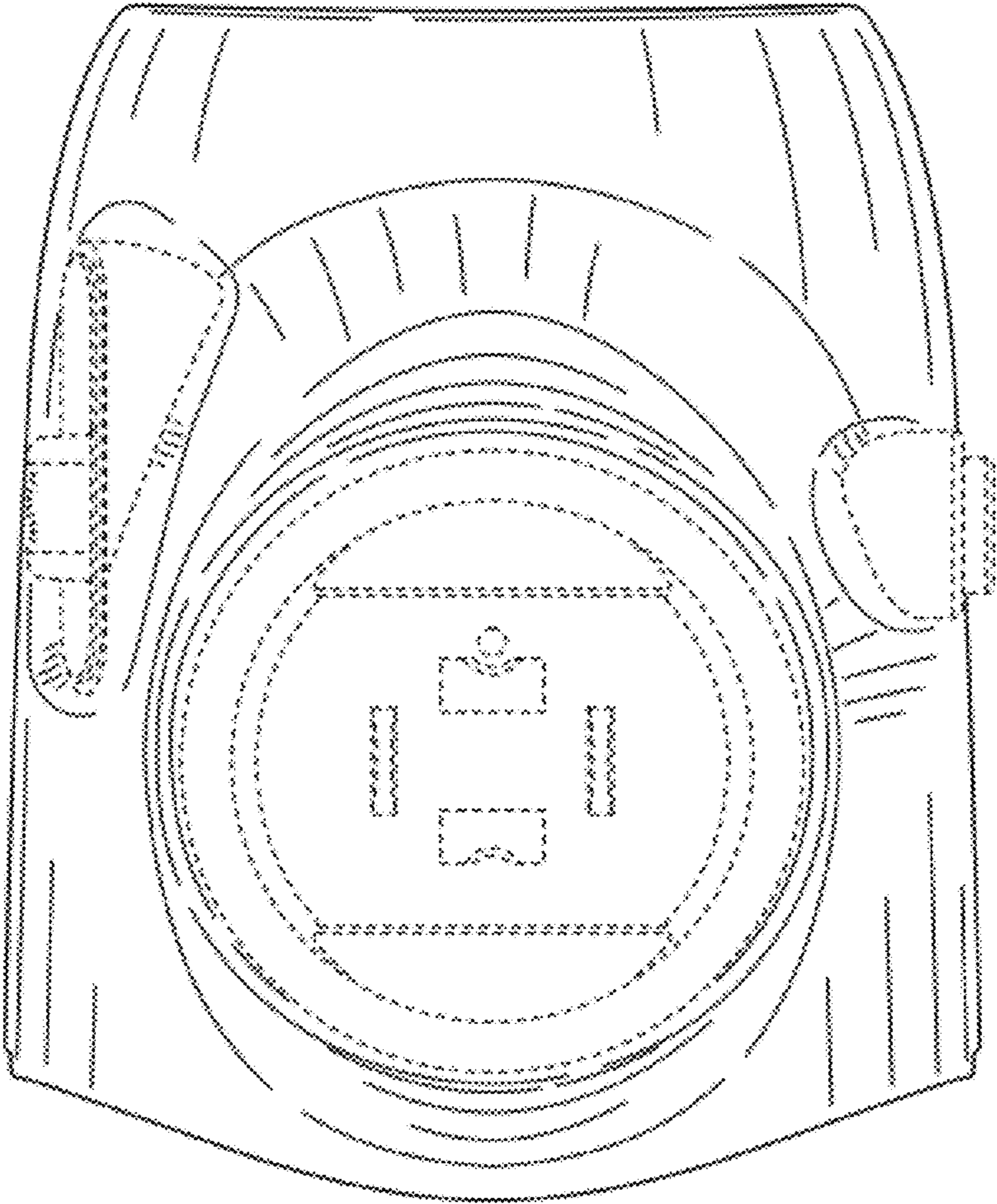


FIG. 3

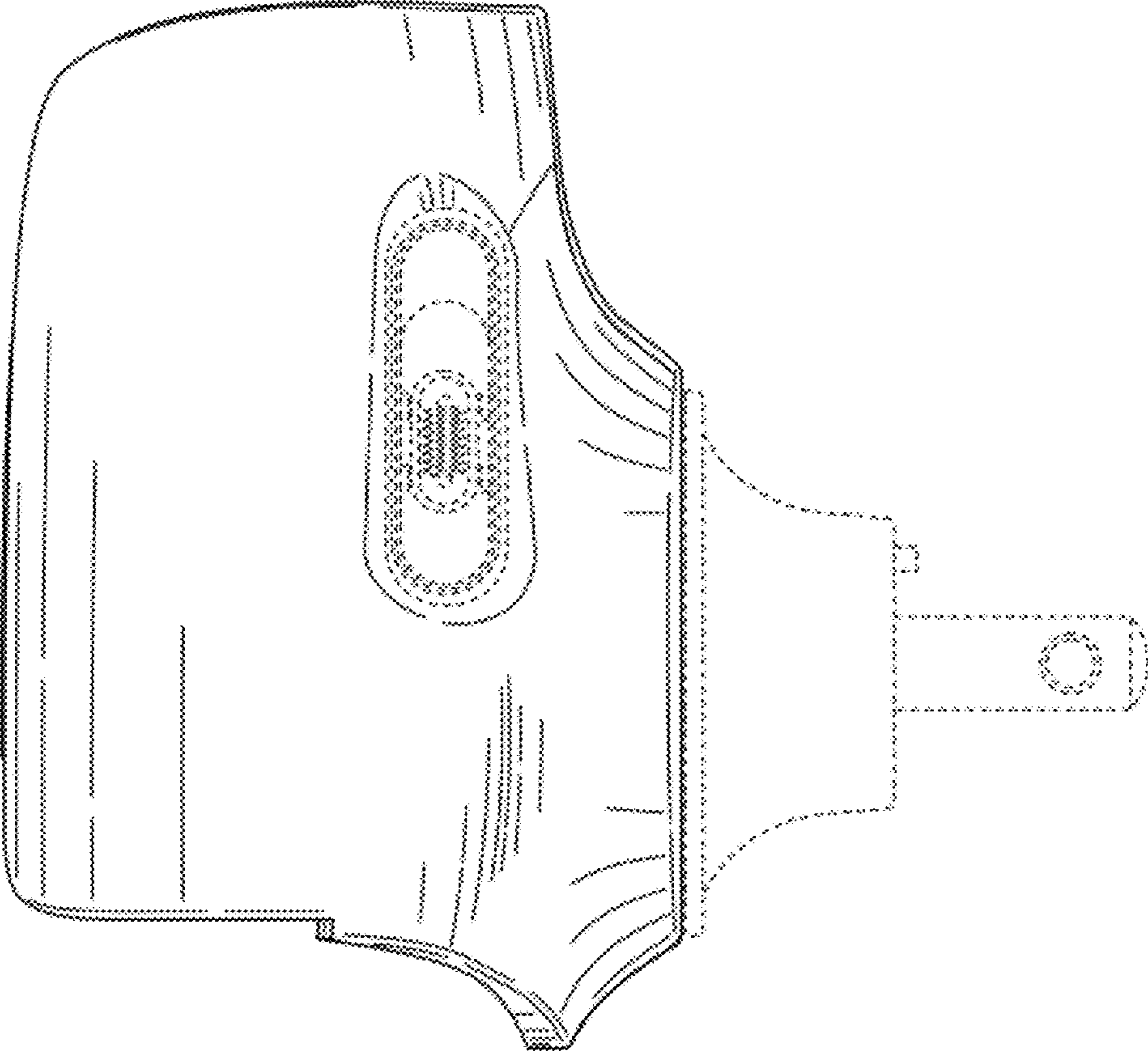


FIG. 4

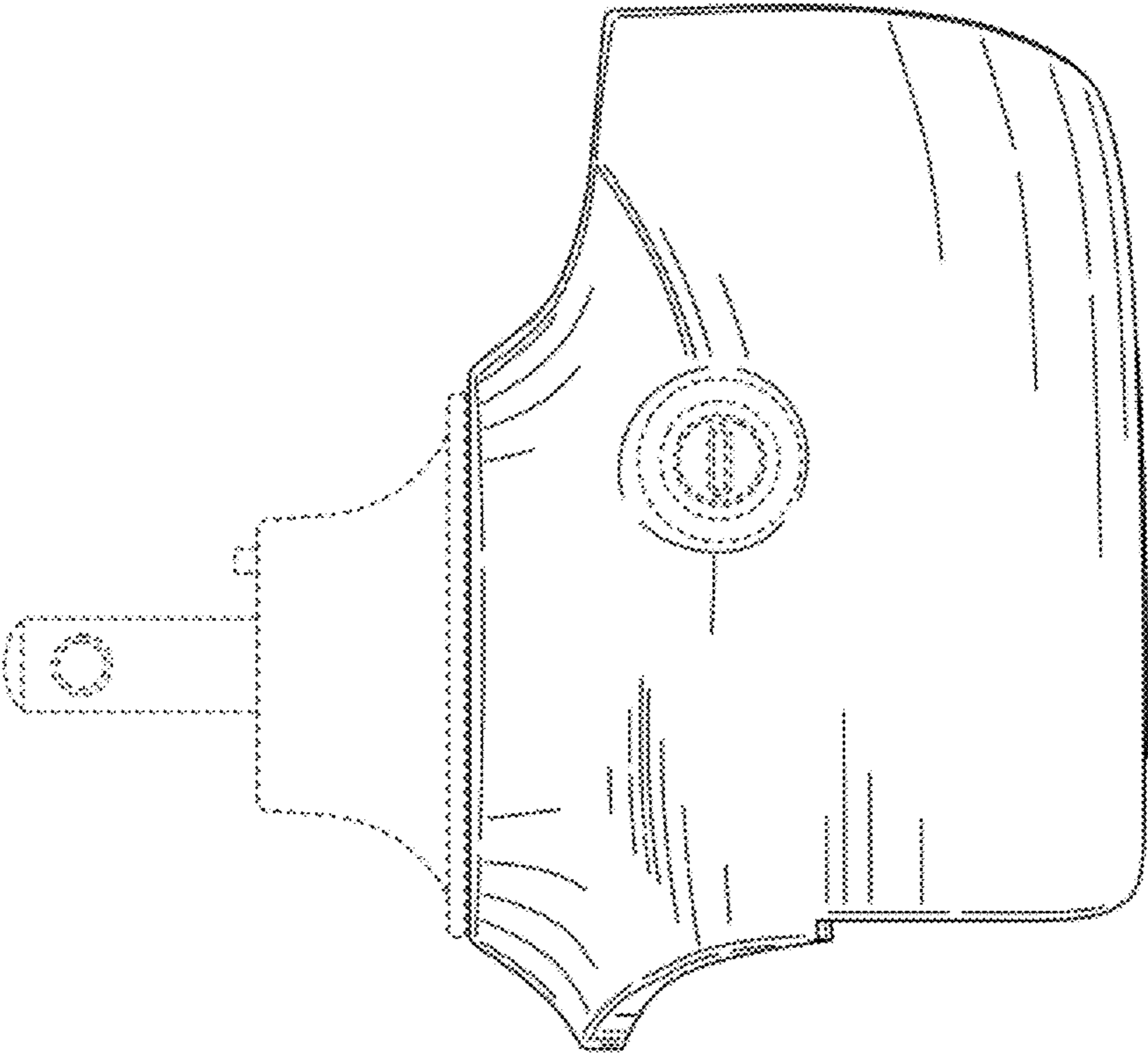


FIG. 5

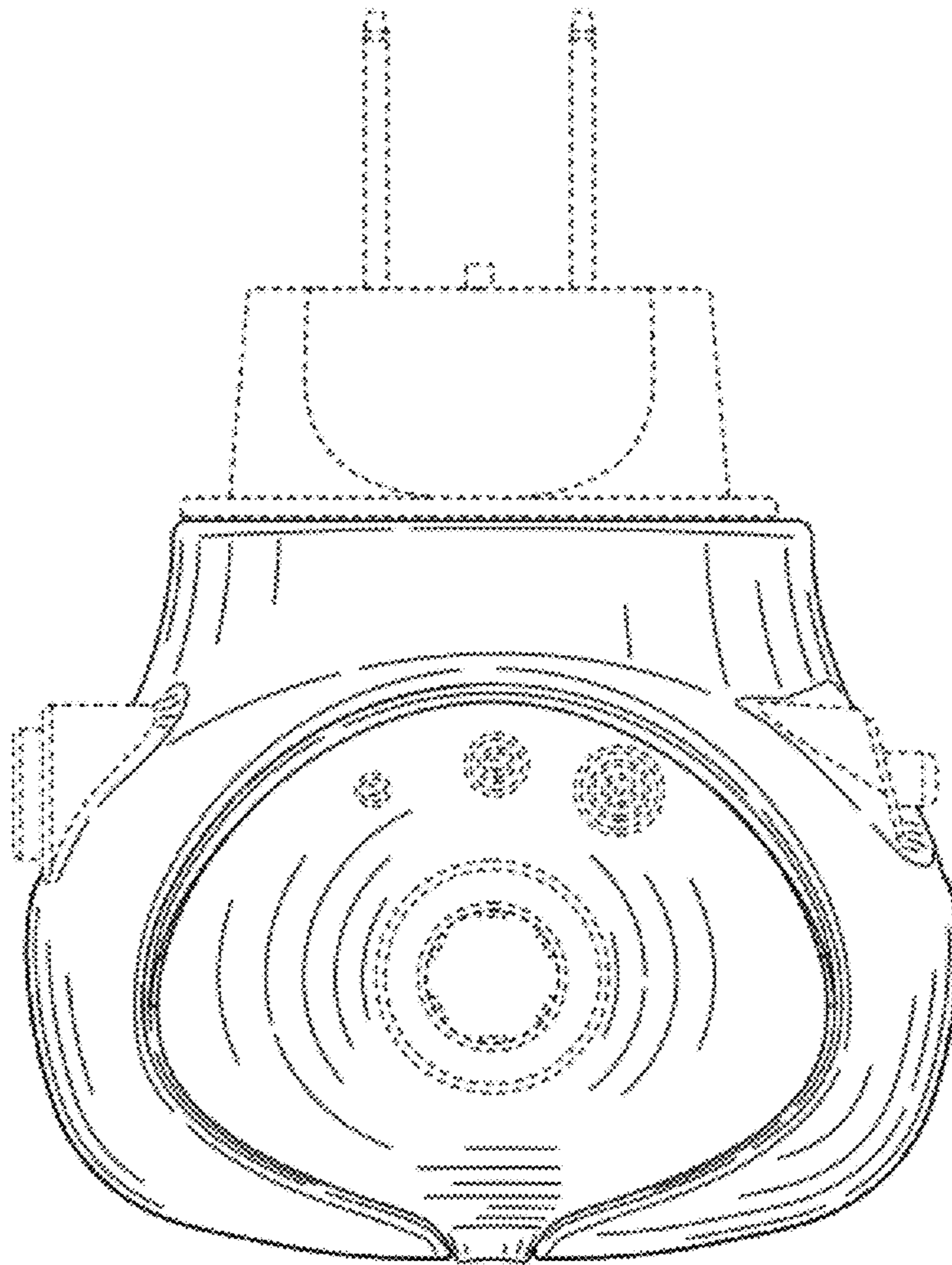


FIG. 6

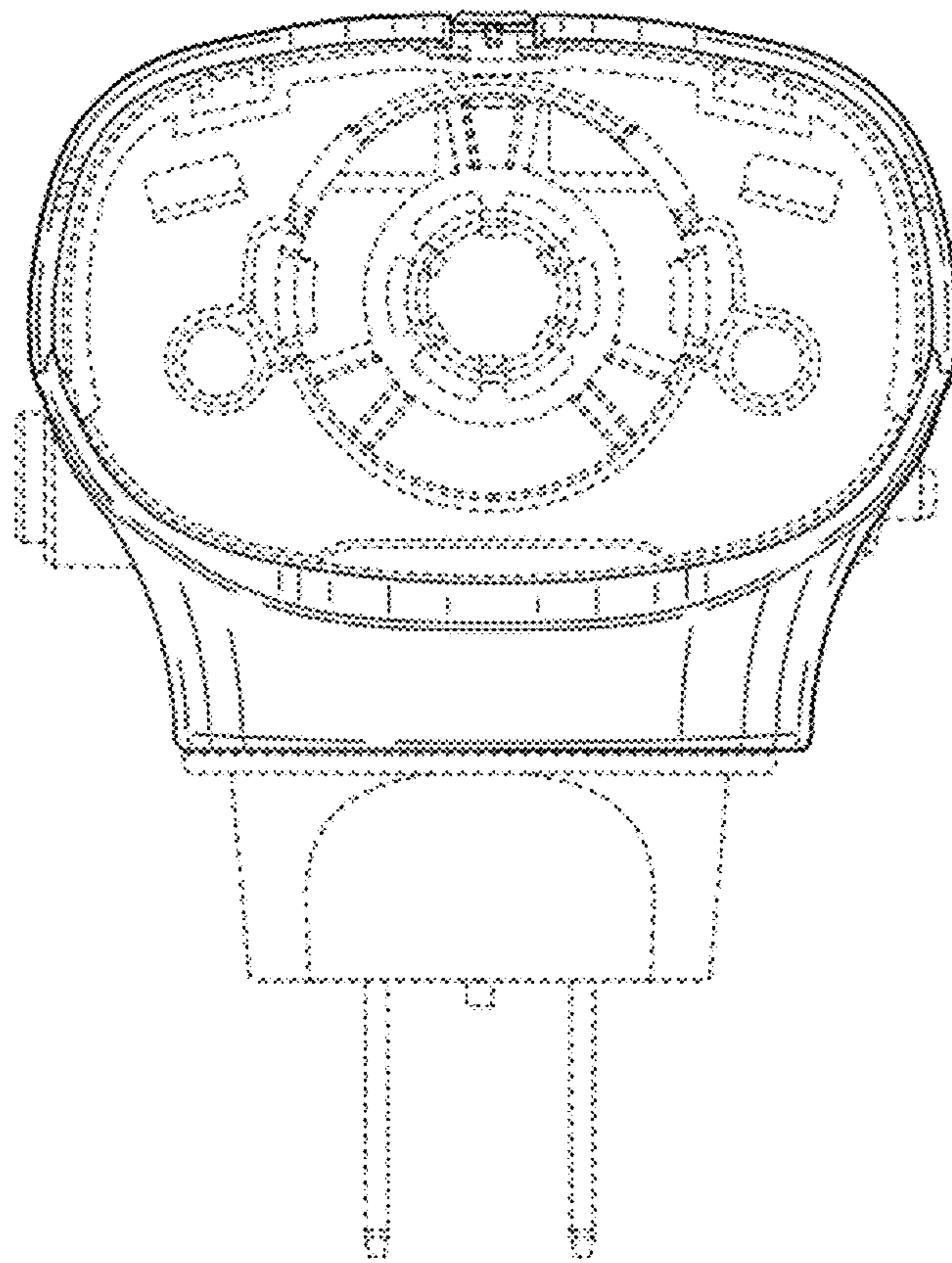


FIG. 7