



US00D672859S

(12) **United States Design Patent**
Walker et al.

(10) **Patent No.:** **US D672,859 S**

(45) **Date of Patent:** **** *Dec. 18, 2012**

(54) **FRAGRANCE INJECTOR FOR USE ON A FURNACE PLENUM**

(76) Inventors: **Christopher Walker**, Stacy, MN (US);
Lora Walker, Stacy, MN (US)

(*) Notice: This patent is subject to a terminal disclaimer.

(**) Term: **14 Years**

(21) Appl. No.: **29/405,854**

(22) Filed: **Nov. 7, 2011**

(51) **LOC (9) Cl.** **28-99**

(52) **U.S. Cl.** **D23/366**

(58) **Field of Classification Search** D23/355-369;
D28/5, 6; 261/DIG. 17, DIG. 42, DIG. 65,
261/DIG. 88, DIG. 89; 392/386, 390, 394,
392/395; 239/34, 44, 53, 55, 56, 326
See application file for complete search history.

(56) **References Cited**

U.S. PATENT DOCUMENTS

D164,481 S *	9/1951	Ellis	D6/450
3,685,734 A	8/1972	Paciorek et al.		
4,078,891 A	3/1978	Madjar		
4,139,762 A	2/1979	Pohrer et al.		
4,695,434 A	9/1987	Spector		
5,023,020 A	6/1991	Machida et al.		

5,873,357 A	2/1999	Lake		
D471,267 S *	3/2003	Ahn et al.	D23/367
D484,583 S *	12/2003	Hunt et al.	D23/360
D498,526 S *	11/2004	Emrich	D23/366
D502,285 S *	2/2005	Tufts et al.	D27/141
D511,206 S *	11/2005	Emrich	D23/366
D511,569 S *	11/2005	Harbutt et al.	D23/366
7,011,795 B2	3/2006	Thompson et al.		
7,389,943 B2	6/2008	Jaworski		
D650,891 S *	12/2011	Freeborn et al.	D23/366

* cited by examiner

Primary Examiner — Sandra Snapp

(74) *Attorney, Agent, or Firm* — RG Patent Consulting LLC;
Rachel Gilboy

(57) **CLAIM**

We claim the ornamental design for a fragrance injector for use on a furnace plenum, as shown and described.

DESCRIPTION

FIG. 1 is a front, top and side perspective view of the fragrance injector for use on a furnace plenum embodying the design of the present invention.

FIG. 2 is a front elevational view thereof.

FIG. 3 is a rear elevational view thereof.

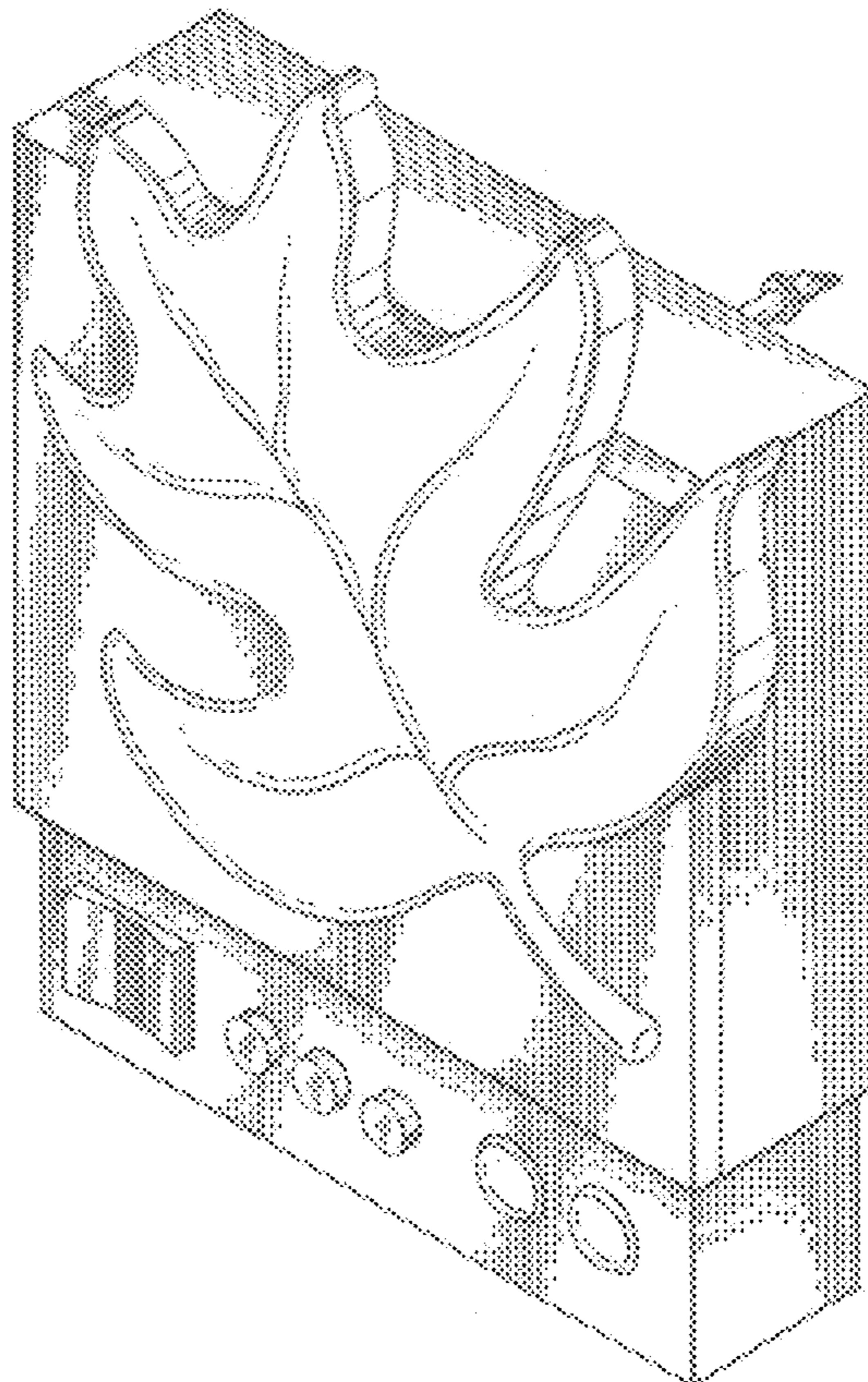
FIG. 4 is a side elevational view thereof.

FIG. 5 is a side elevational view thereof.

FIG. 6 is a top plan view thereof; and,

FIG. 7 is a bottom plan view thereof.

1 Claim, 5 Drawing Sheets



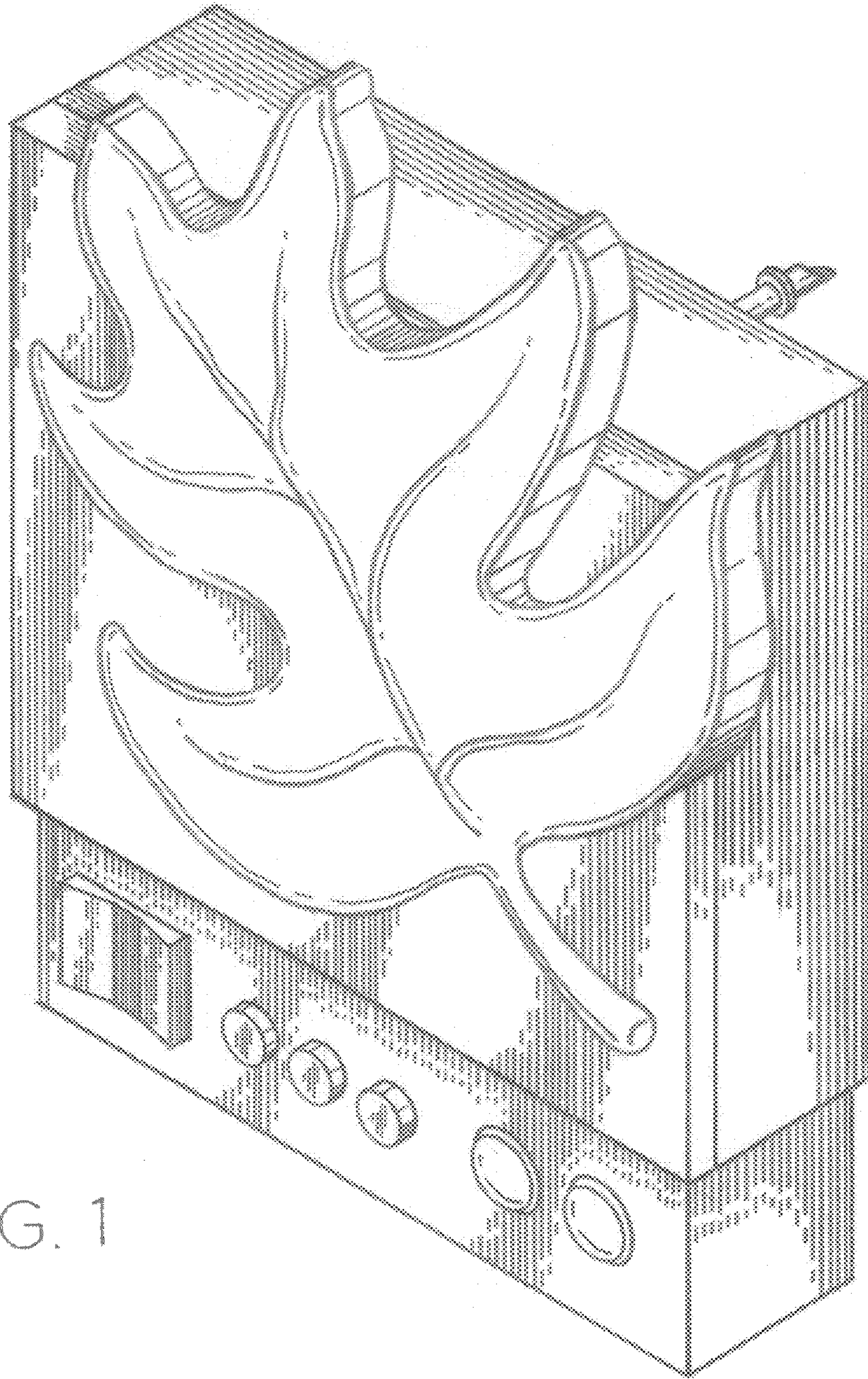


FIG. 1

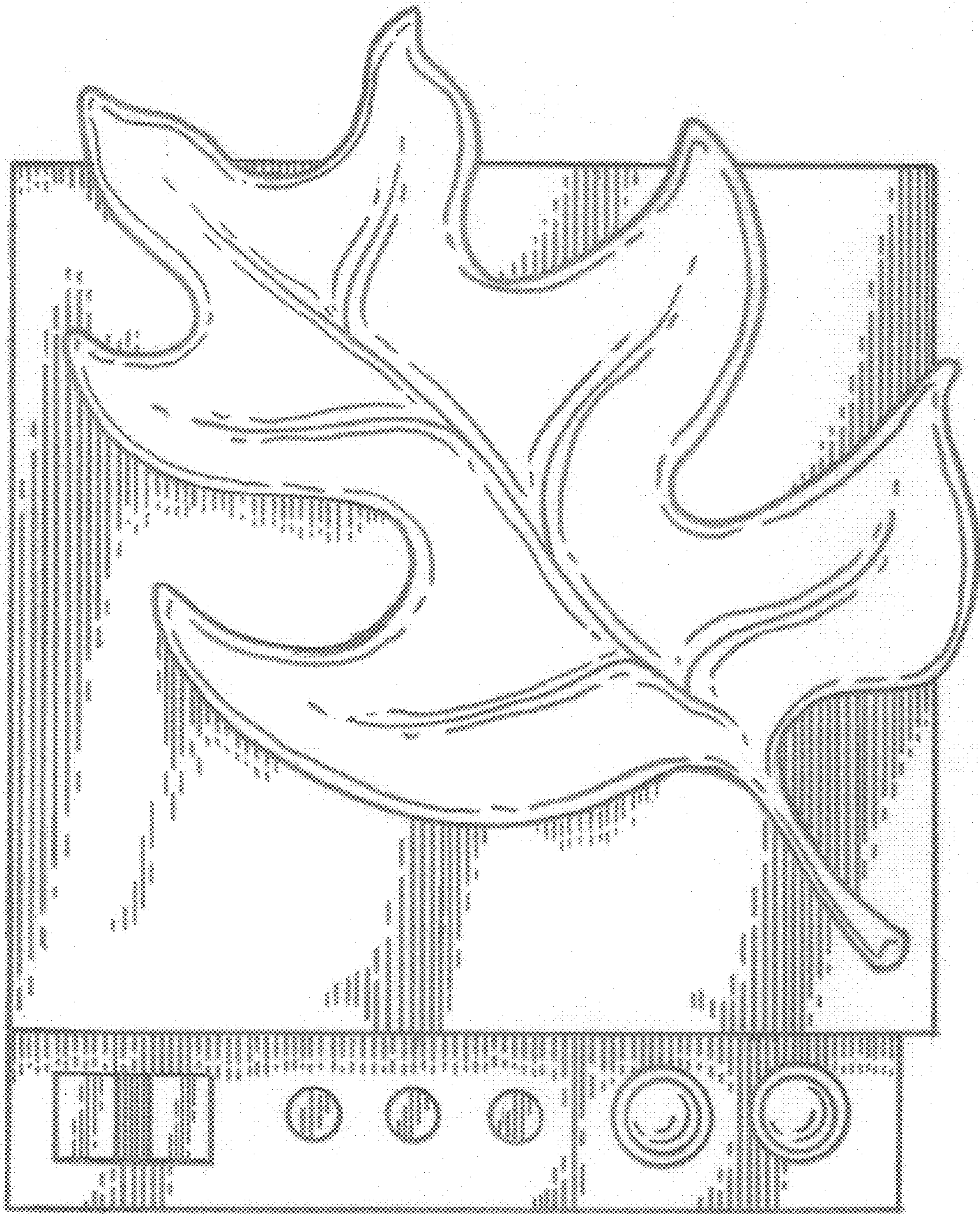


FIG. 2

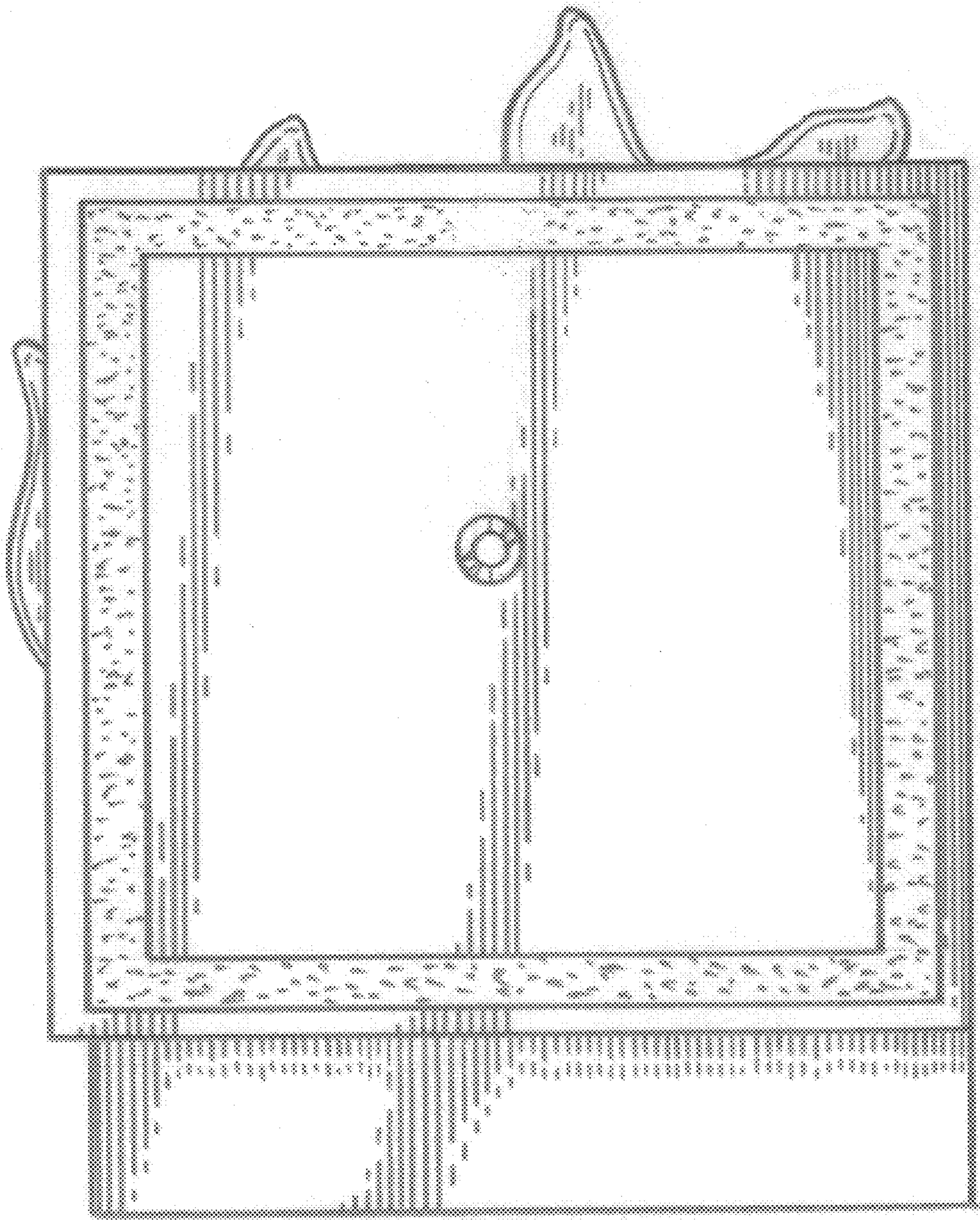


FIG. 3

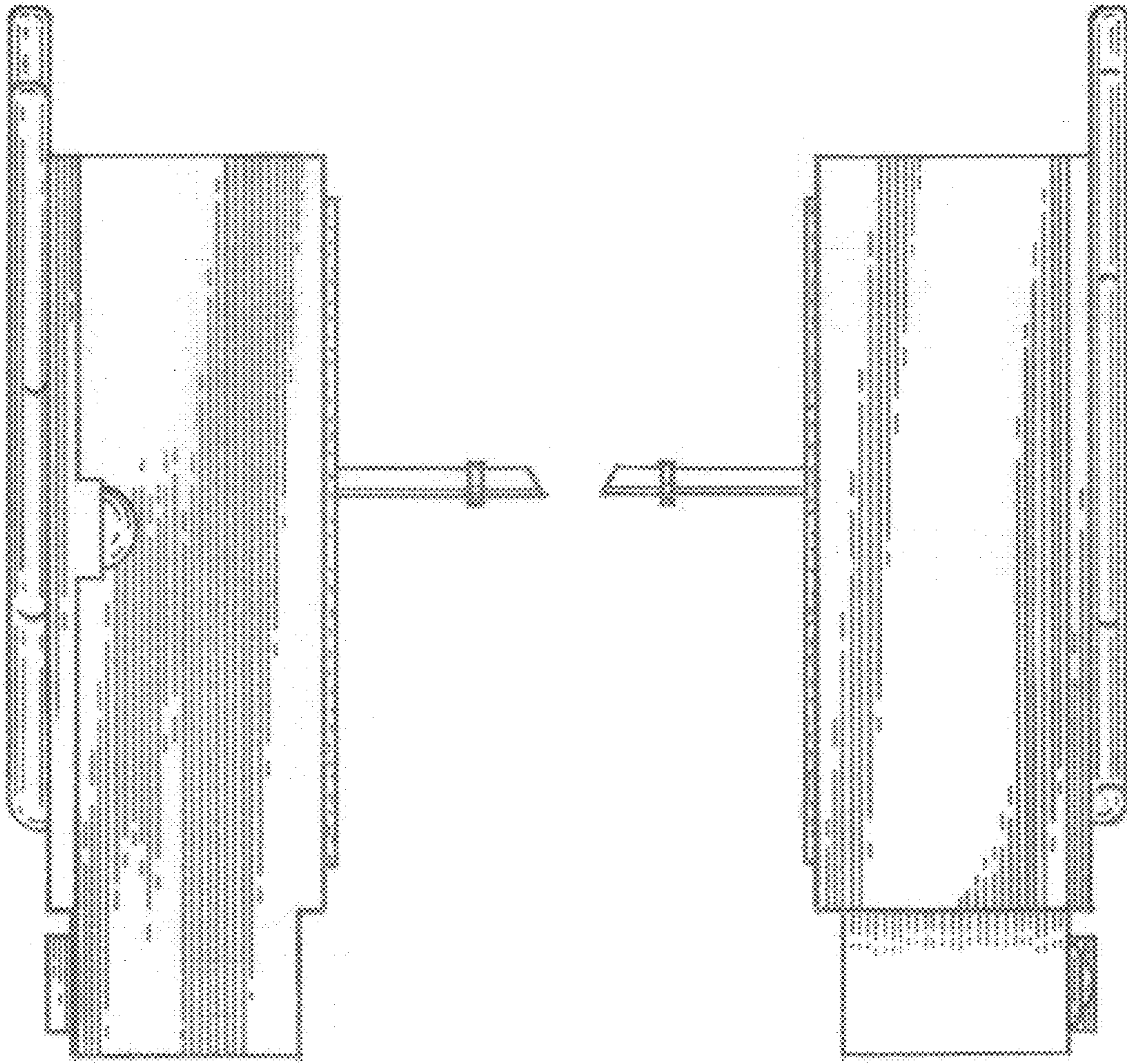


FIG. 4

FIG. 5

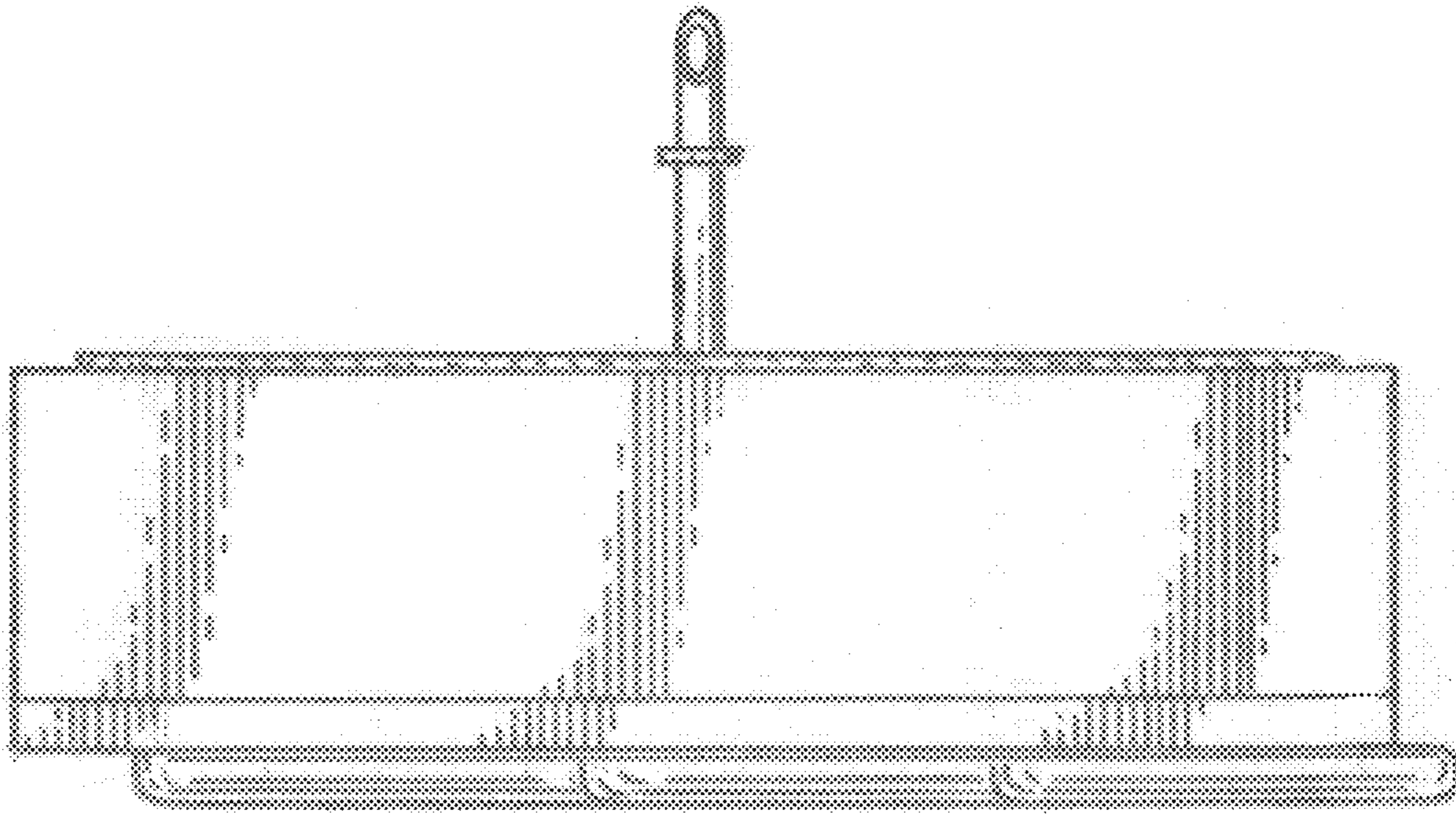


FIG. 6

FIG. 7

