



US00D672854S

(12) **United States Design Patent**  
**Inoue et al.**

(10) **Patent No.:** **US D672,854 S**  
(45) **Date of Patent:** **\*\* Dec. 18, 2012**

(54) **TOILET BOWL**

(75) Inventors: **Masaaki Inoue**, Fukuoka (JP);  
**Masahiro Nakamura**, Fukuoka (JP); **Yu Yamasaki**, Fukuoka (JP)

(73) Assignee: **Toto Ltd.** (JP)

(\*\*) Term: **14 Years**

(21) Appl. No.: **29/414,540**

(22) Filed: **Feb. 29, 2012**

(30) **Foreign Application Priority Data**

Aug. 31, 2011 (JP) ..... 2011-019764

(51) **LOC (9) Cl.** ..... **23-02**

(52) **U.S. Cl.** ..... **D23/309**

(58) **Field of Classification Search** ..... D23/295,  
D23/301, 303, 309; 4/300, 329, 420, 443  
See application file for complete search history.

(56) **References Cited**

**U.S. PATENT DOCUMENTS**

D624,165 S \* 9/2010 Yokoyama et al. .... D23/301

\* cited by examiner

*Primary Examiner* — Robert Delehanty

(74) *Attorney, Agent, or Firm* — Banner & Witcoff, Ltd.

(57) **CLAIM**

The ornamental design for a toilet bowl, as shown and described.

**DESCRIPTION**

FIG. 1 is a perspective view of front, top and right side of a toilet bowl according to our new design;  
FIG. 2 is a perspective view of rear, top and left side thereof;  
FIG. 3 is a front view thereof;  
FIG. 4 is a rear view thereof;  
FIG. 5 is a left side view thereof;  
FIG. 6 is a right side view thereof;  
FIG. 7 is a top view thereof;  
FIG. 8 is a bottom view thereof;  
FIG. 9 is an enlarged cross sectional view at 9-9 thereof; and,  
FIG. 10 is an enlarged cross sectional view at 10-10 thereof.  
The portions of the article in broken lines are shown for illustrative purposes only and form no part of the claimed design.

The uneven broken lines represent disclaimed boundaries of the claimed design.

**1 Claim, 7 Drawing Sheets**

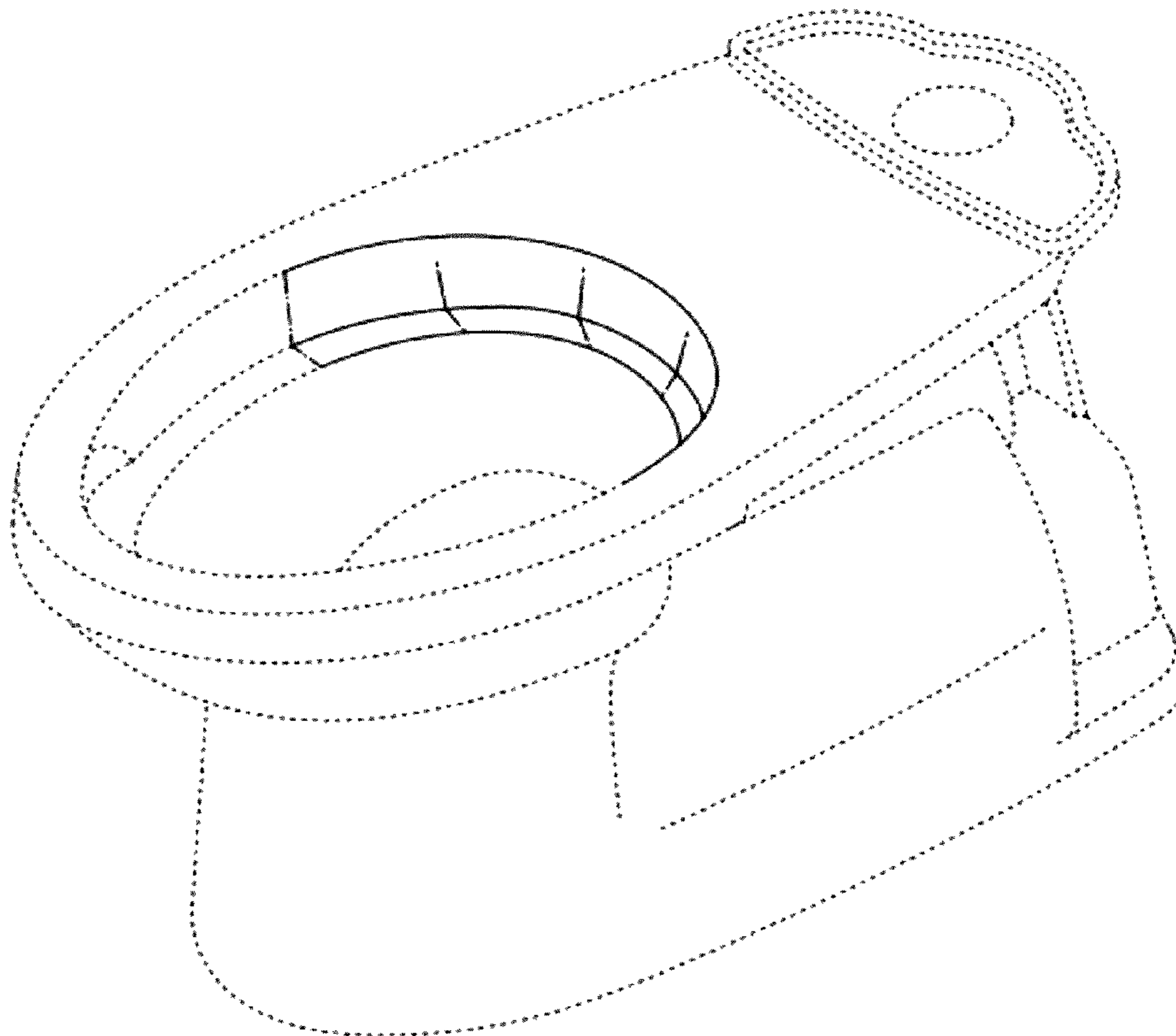


Fig. 1

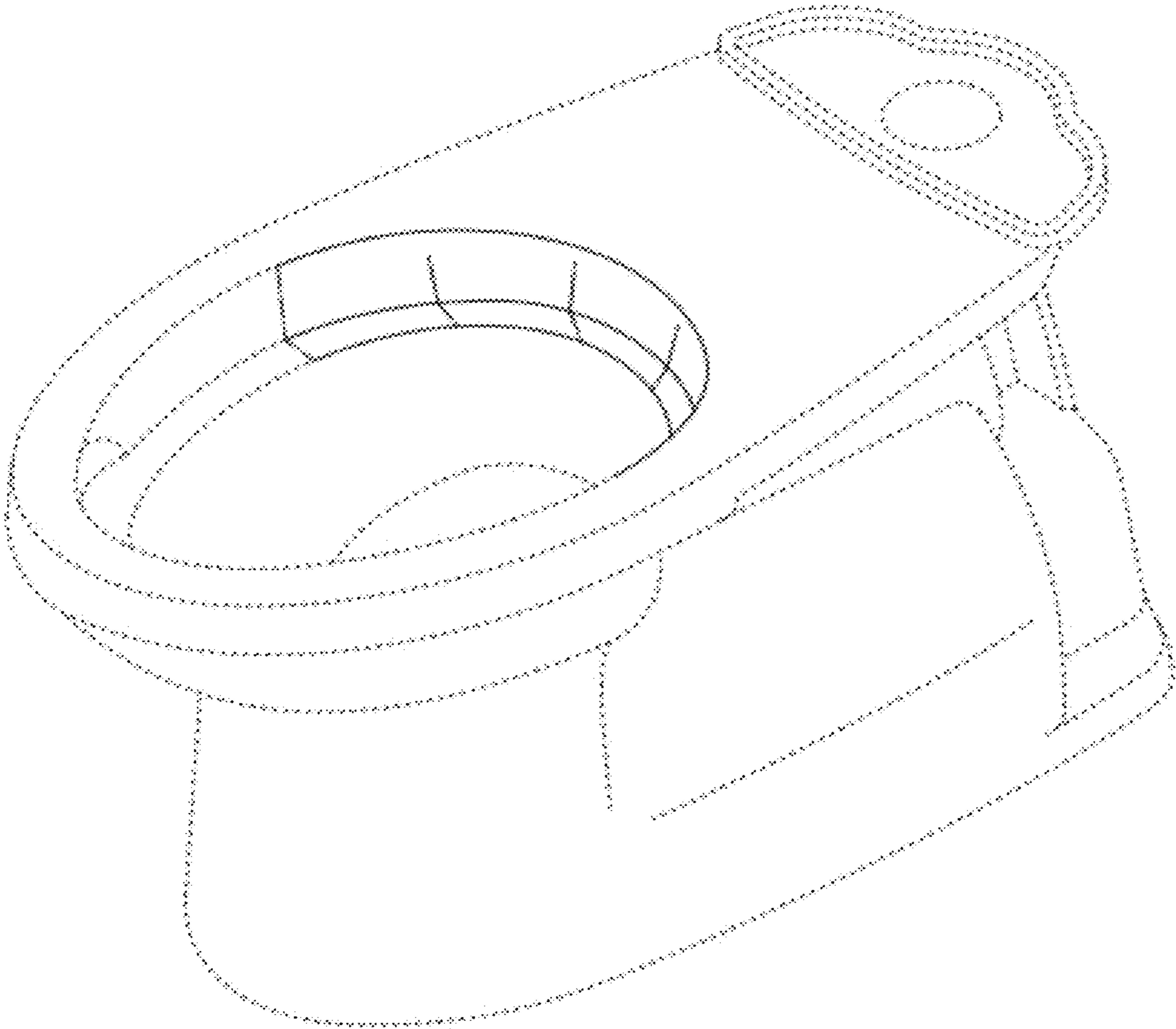


Fig. 2

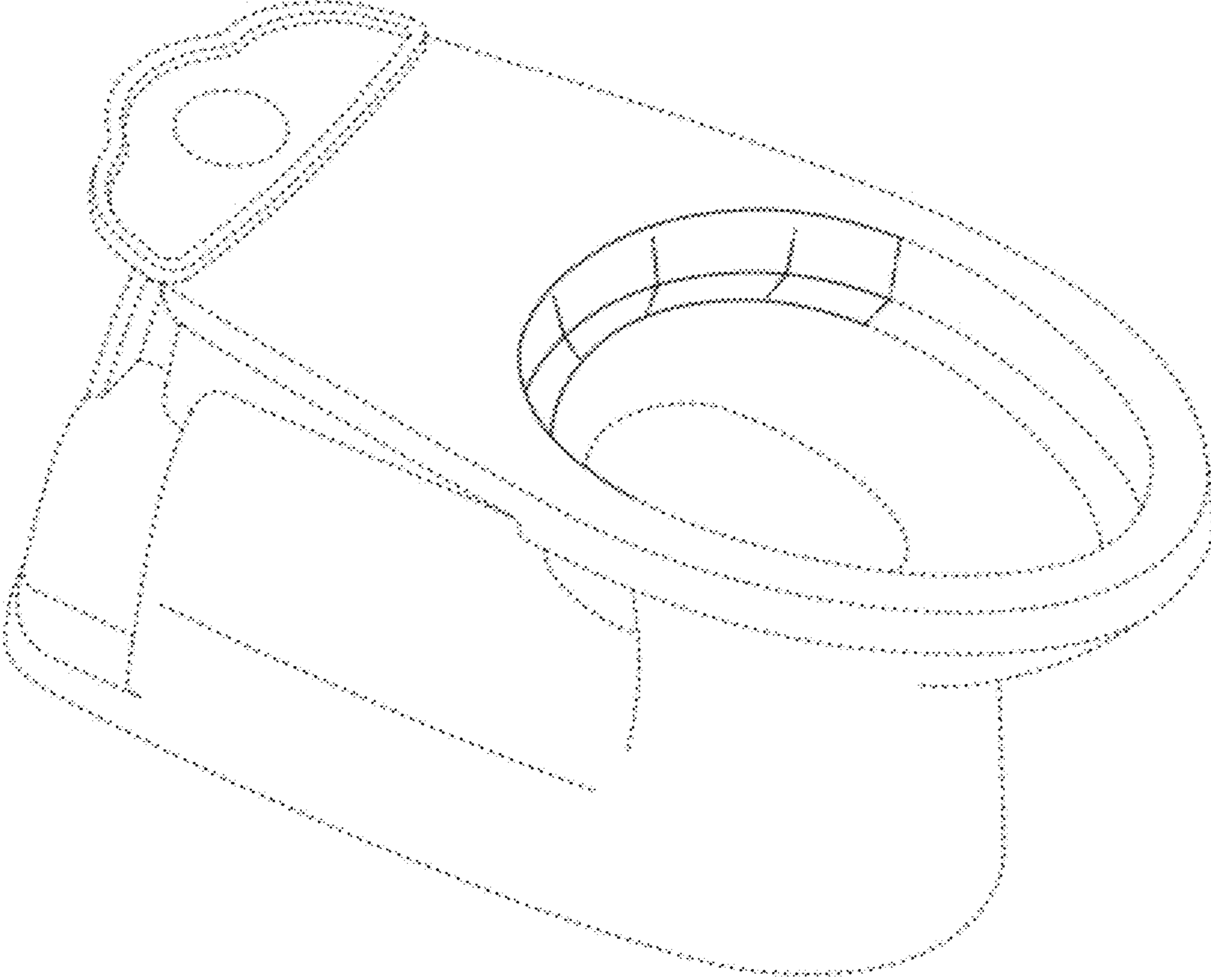


Fig. 3

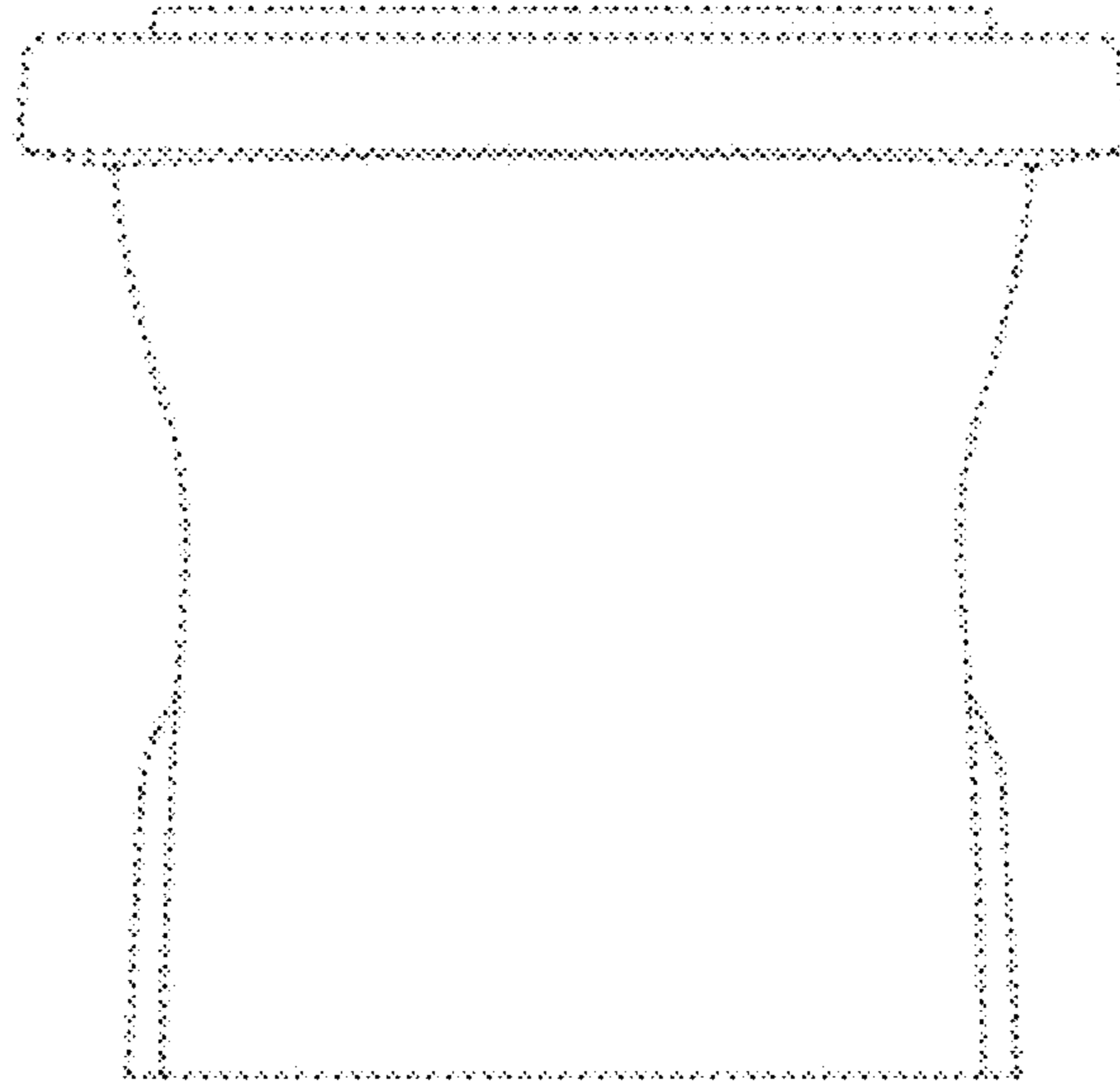


Fig. 4

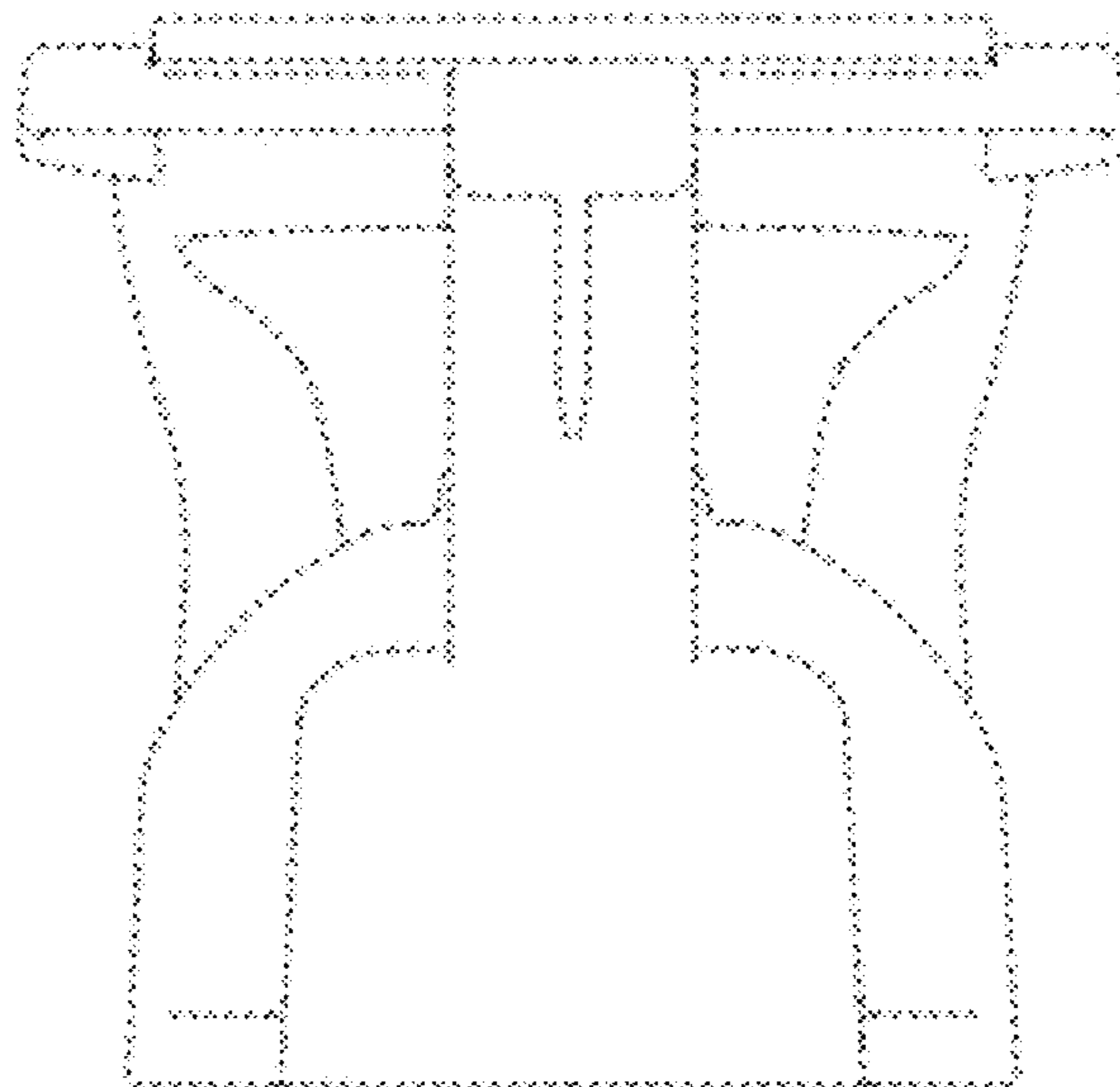


Fig. 5

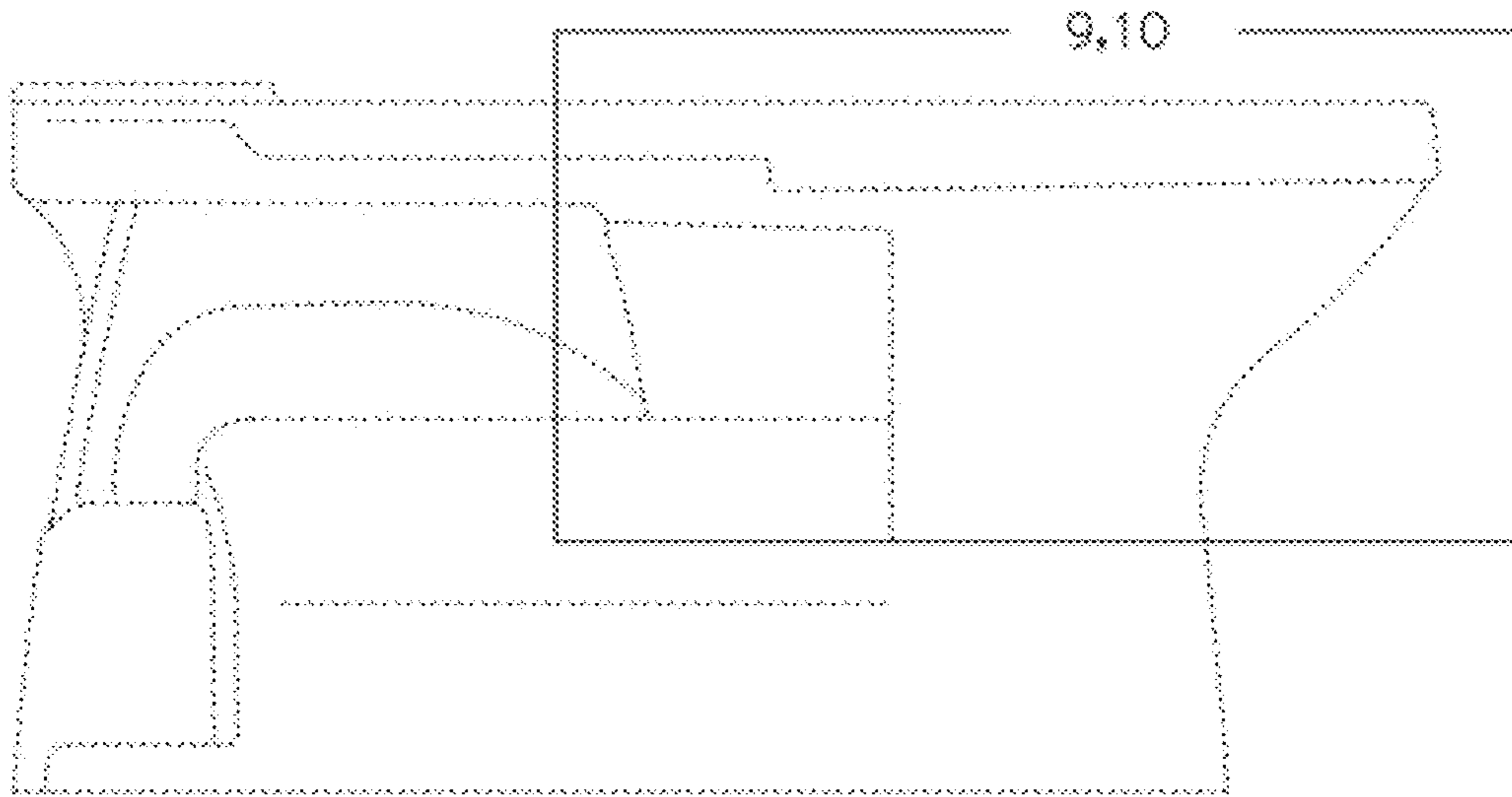


Fig. 6

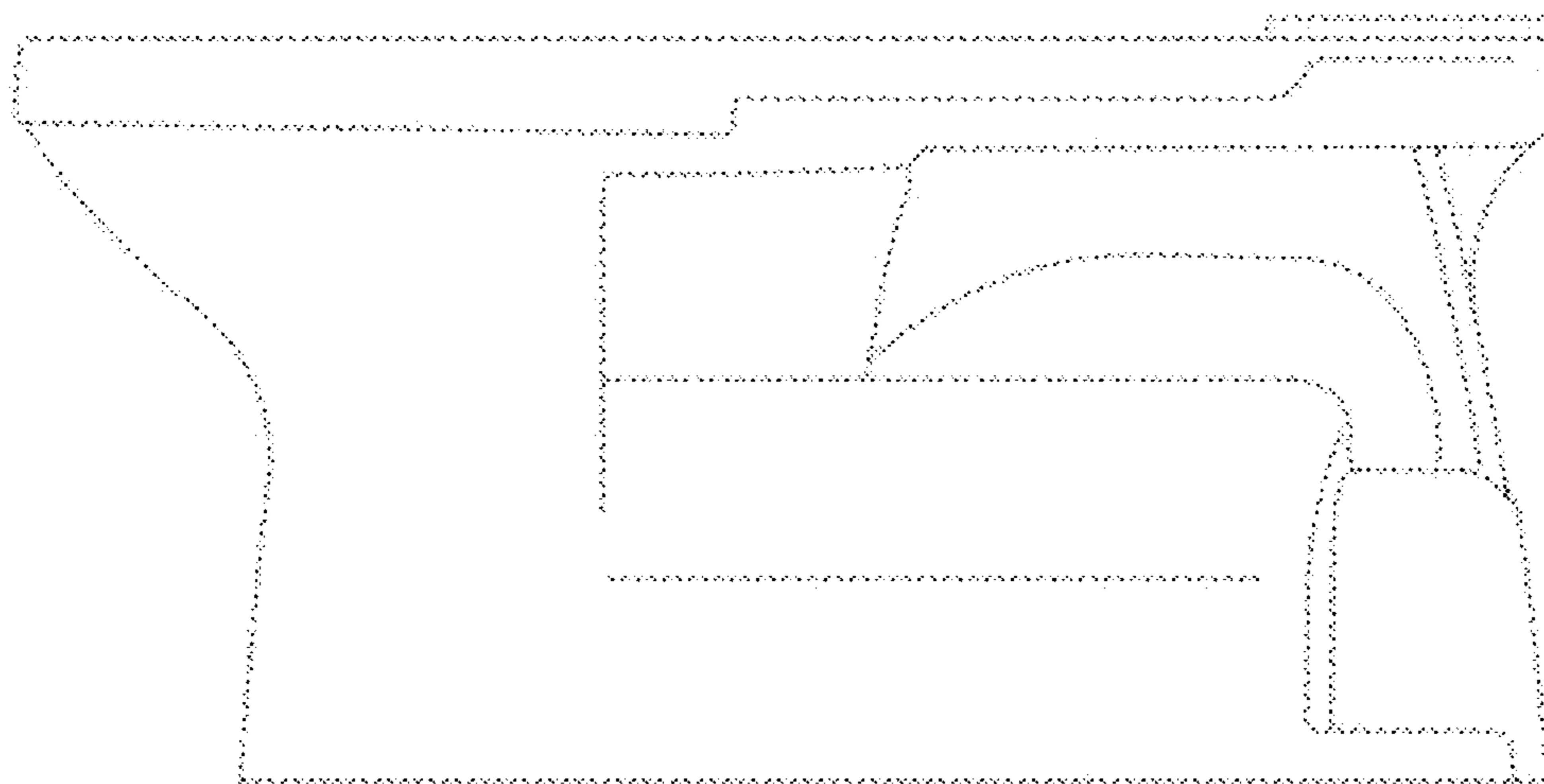


Fig. 7

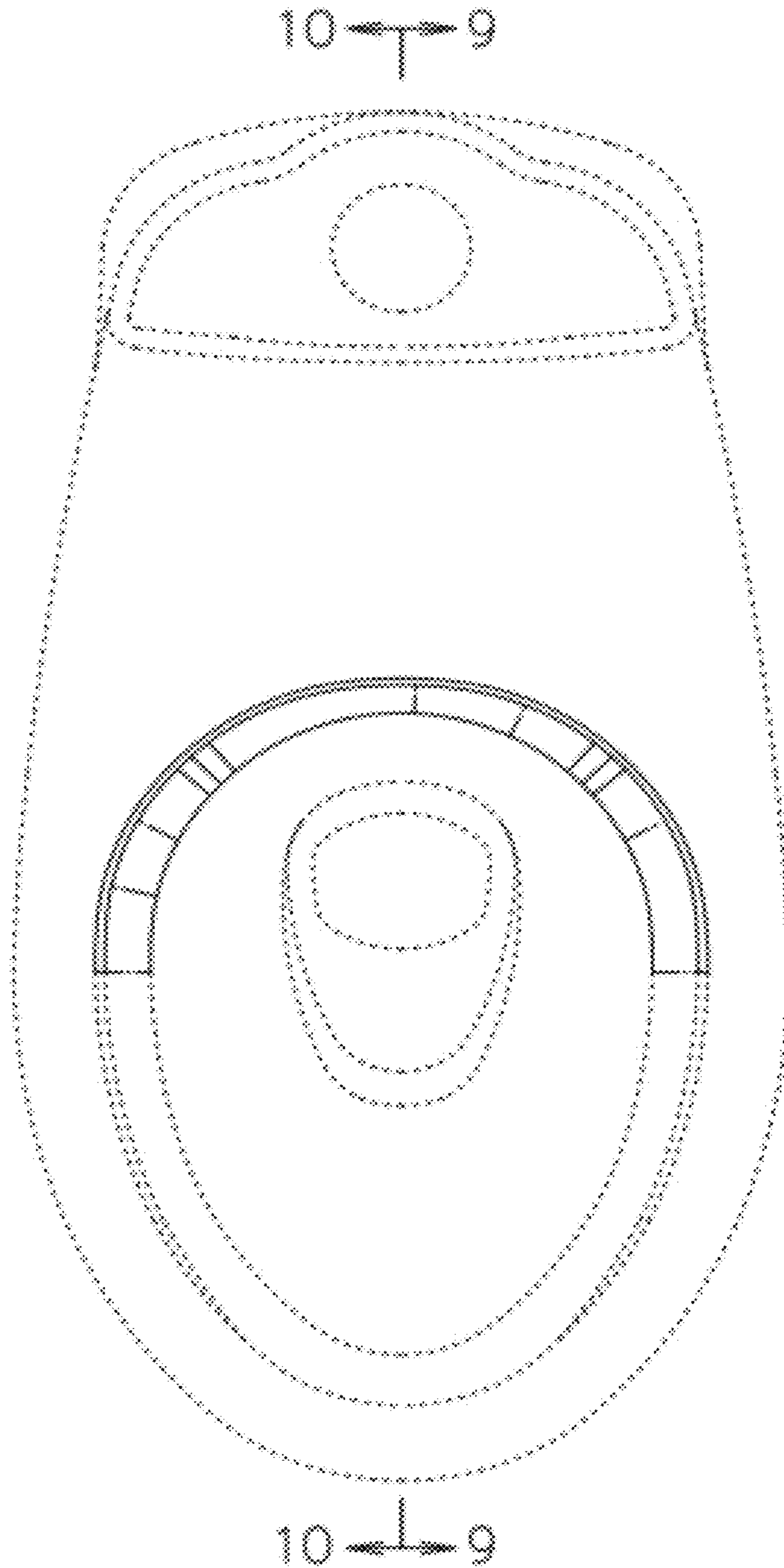


Fig. 8

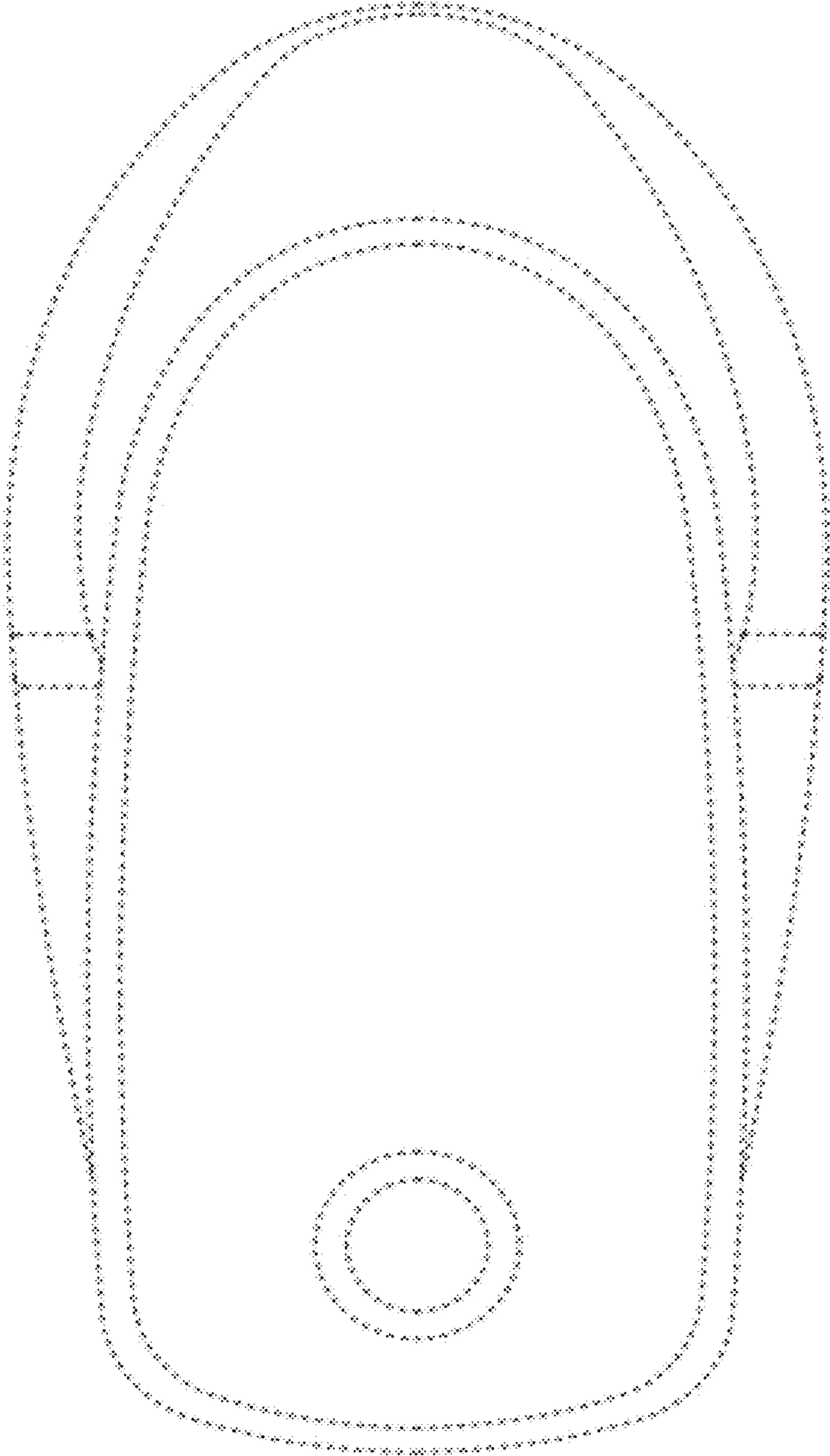


Fig. 9

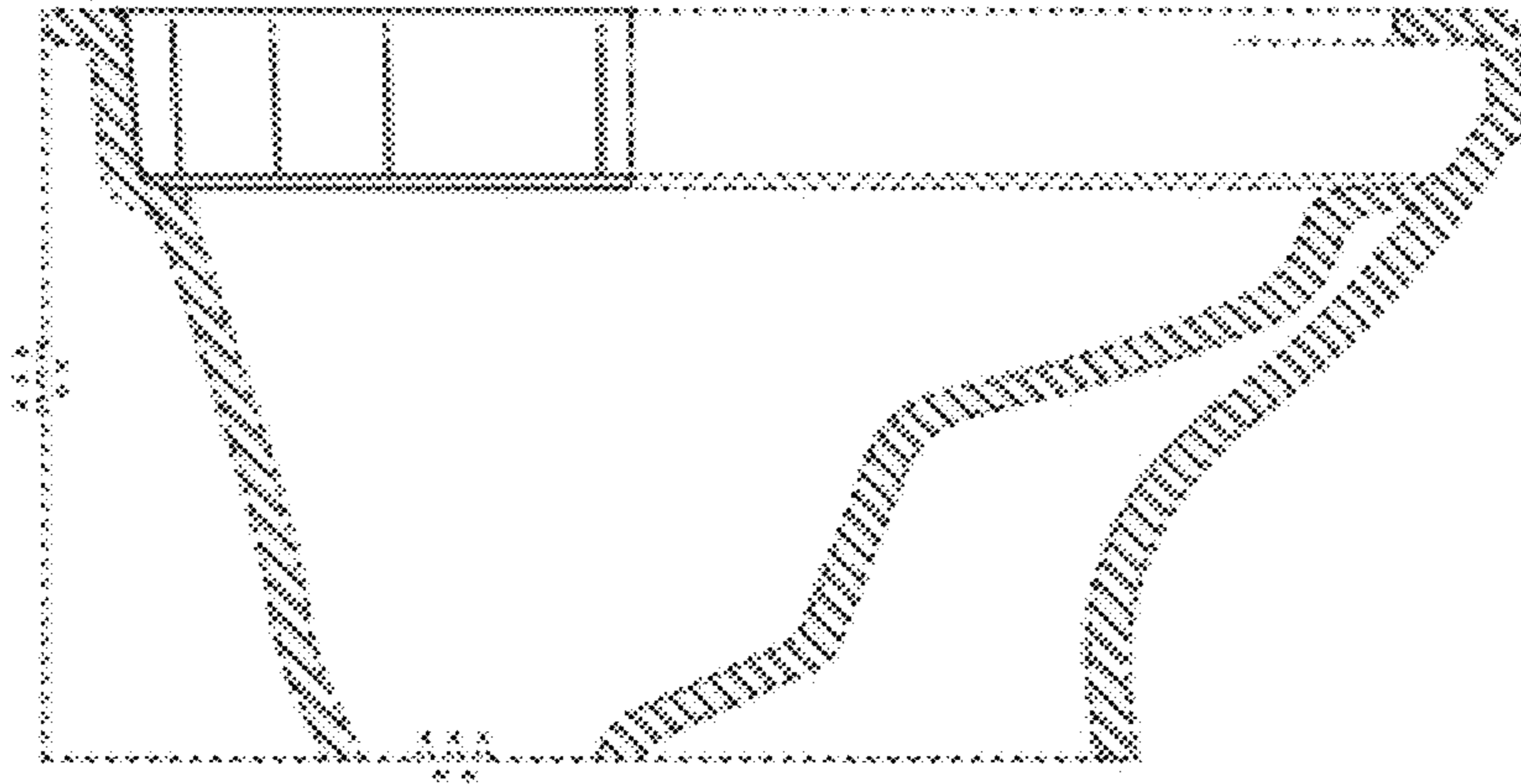


Fig. 10

