



US00D672853S

(12) **United States Design Patent**  
**Inoue et al.**

(10) **Patent No.:** **US D672,853 S**  
(45) **Date of Patent:** **\*\* Dec. 18, 2012**

(54) **TOILET BOWL**

(75) Inventors: **Masaaki Inoue**, Fukuoka (JP);  
**Masahiro Nakamura**, Fukuoka (JP); **Yu Yamasaki**, Fukuoka (JP)

(73) Assignee: **Toto Ltd.** (JP)

(\*\*) Term: **14 Years**

(21) Appl. No.: **29/414,530**

(22) Filed: **Feb. 29, 2012**

(30) **Foreign Application Priority Data**

Aug. 31, 2011 (JP) ..... 2011-019763

(51) **LOC (9) Cl.** ..... **23-02**

(52) **U.S. Cl.** ..... **D23/309**

(58) **Field of Classification Search** ..... D23/295,  
D23/301, 303, 309; 4/300, 329, 420, 443  
See application file for complete search history.

(56) **References Cited**

**U.S. PATENT DOCUMENTS**

D578,620 S	*	10/2008	Zou et al. ....	D23/301
D587,356 S	*	2/2009	Cummings .....	D23/295
D624,997 S	*	10/2010	Schonherr et al. ....	D23/301
D656,229 S	*	3/2012	Wang et al. ....	D23/295
D658,278 S	*	4/2012	Wang et al. ....	D23/295

**OTHER PUBLICATIONS**

U.S. Appl. No. 29/414,521, filed Feb. 29, 2012.

U.S. Appl. No. 29/414,523, filed Feb. 29, 2012.

\* cited by examiner

*Primary Examiner* — Robert Delehanty

(74) *Attorney, Agent, or Firm* — Banner & Witcoff, Ltd.

(57) **CLAIM**

The ornamental design for a toilet bowl, as shown and described.

**DESCRIPTION**

FIG. 1 is a perspective view of front, top and right side of a toilet bowl according to our new design;

FIG. 2 is a perspective view of rear, top and left side thereof;

FIG. 3 is a front view thereof;

FIG. 4 is a rear view thereof;

FIG. 5 is a left side view thereof;

FIG. 6 is a right side view thereof;

FIG. 7 is a top view thereof;

FIG. 8 is a bottom view thereof;

FIG. 9 is an enlarged cross sectional view at 9-9 thereof; and,

FIG. 10 is an enlarged cross sectional view at 10-10 thereof.

The portions of the article in broken lines are shown for illustrative purposes only and form no part of the claimed design.

**1 Claim, 7 Drawing Sheets**

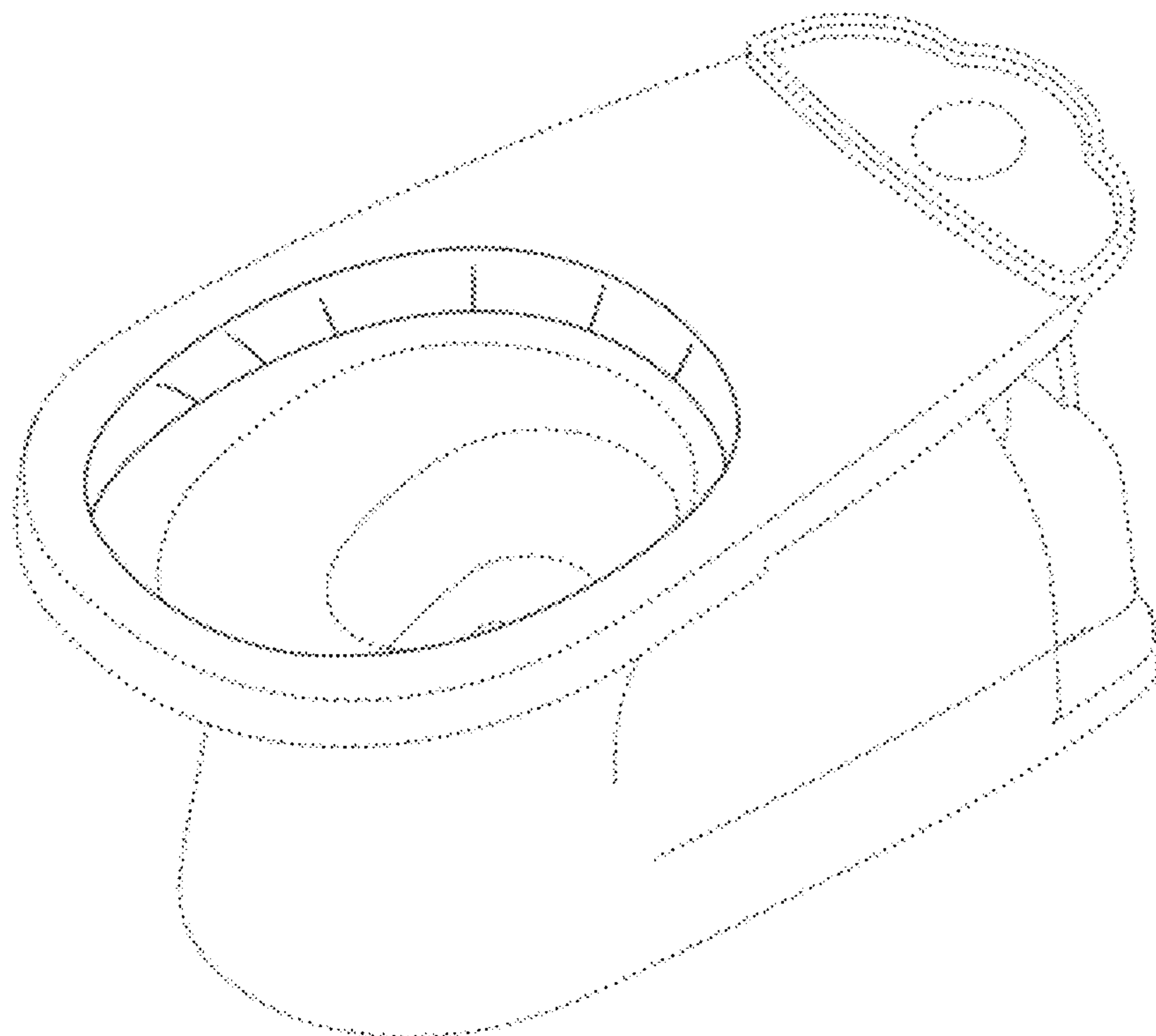


Fig. 1

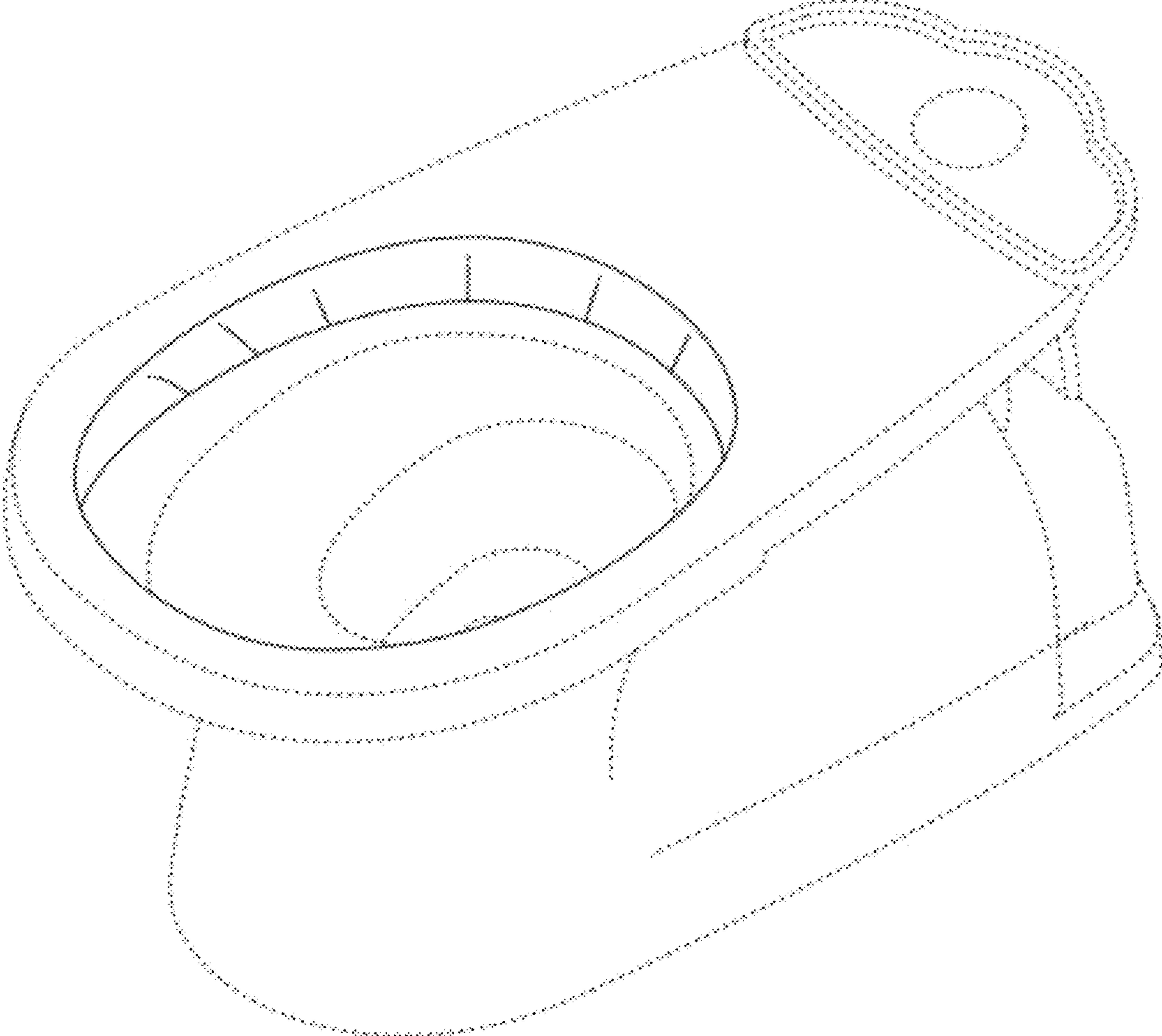


Fig. 2

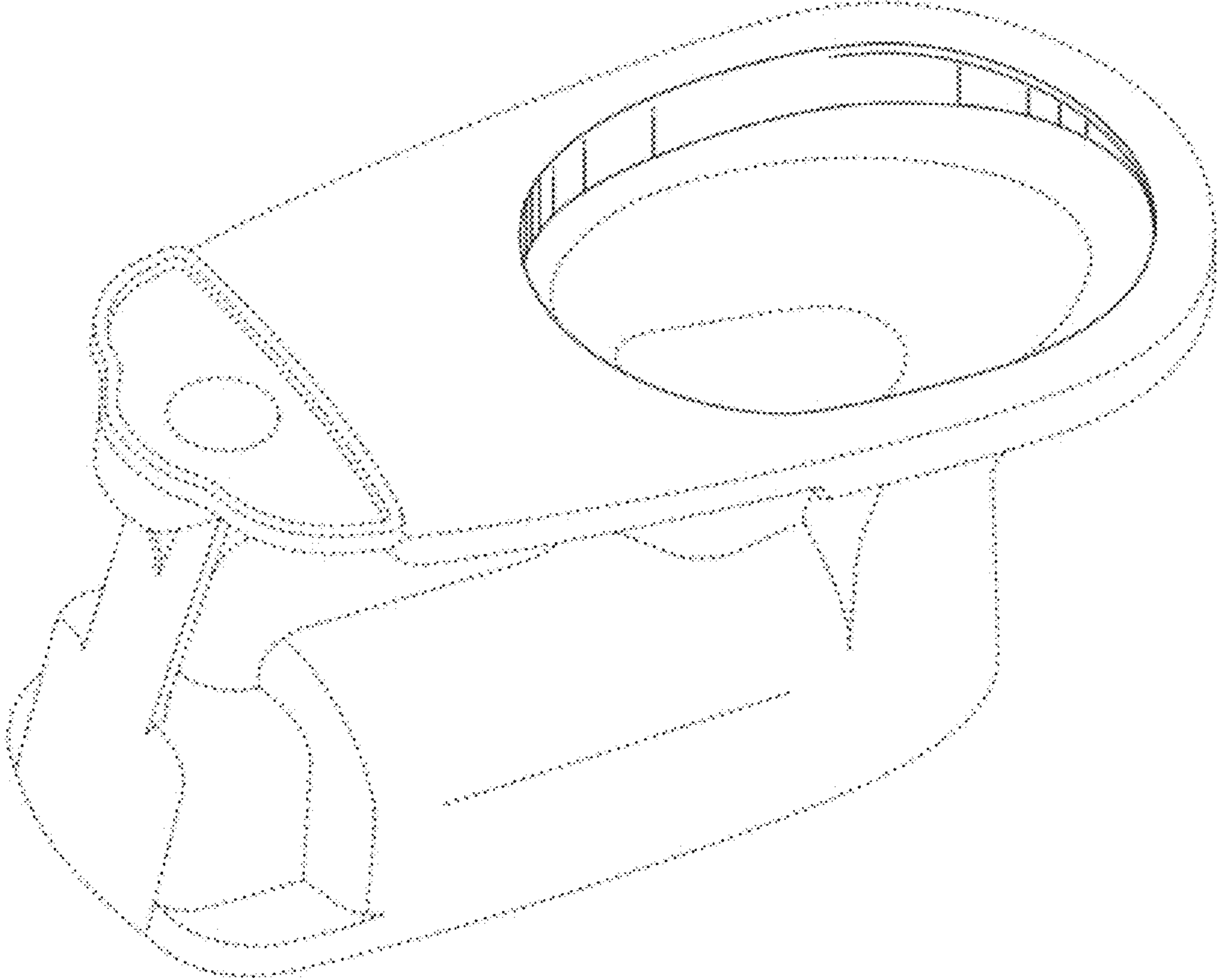


Fig. 3

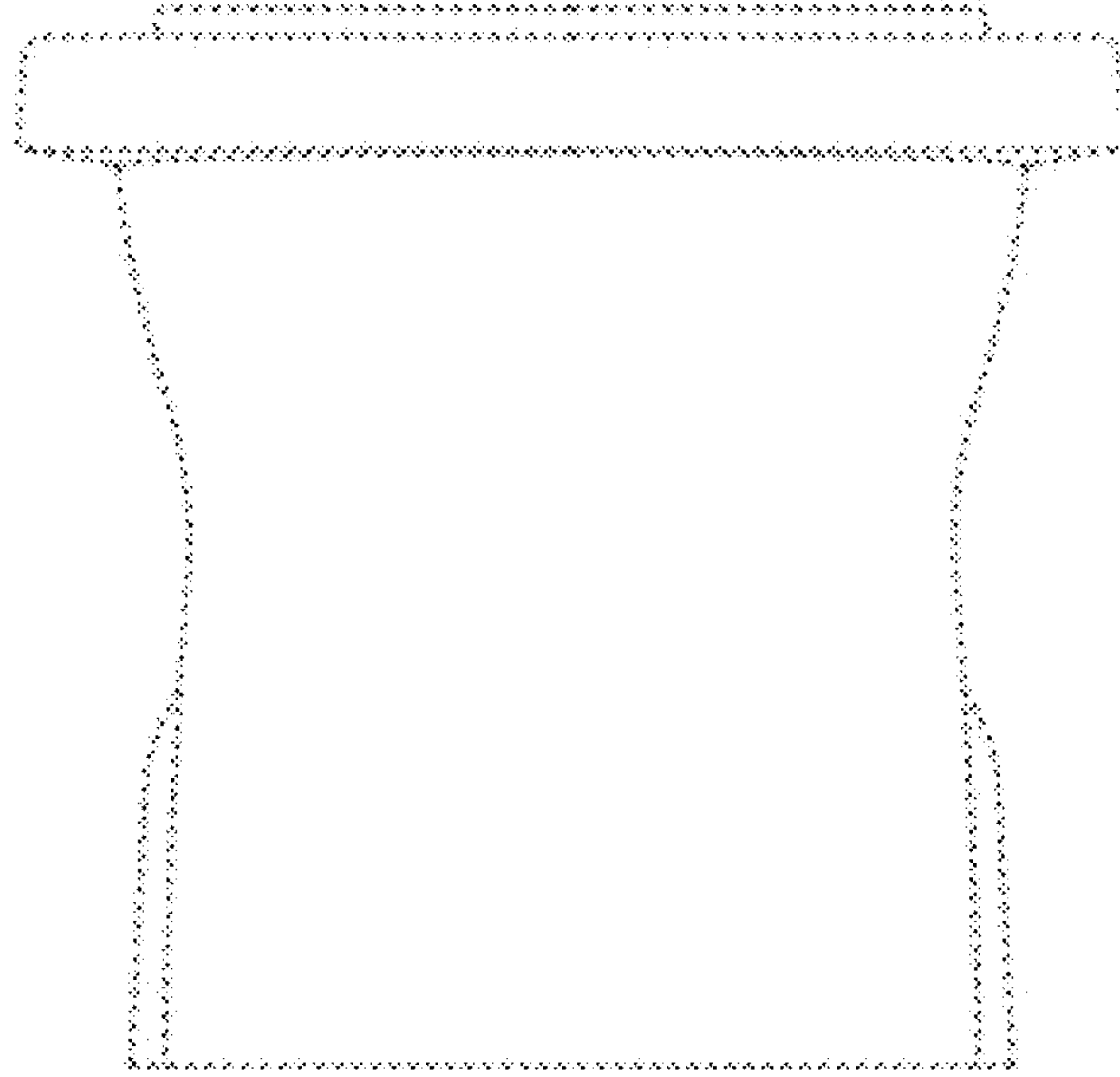


Fig. 4

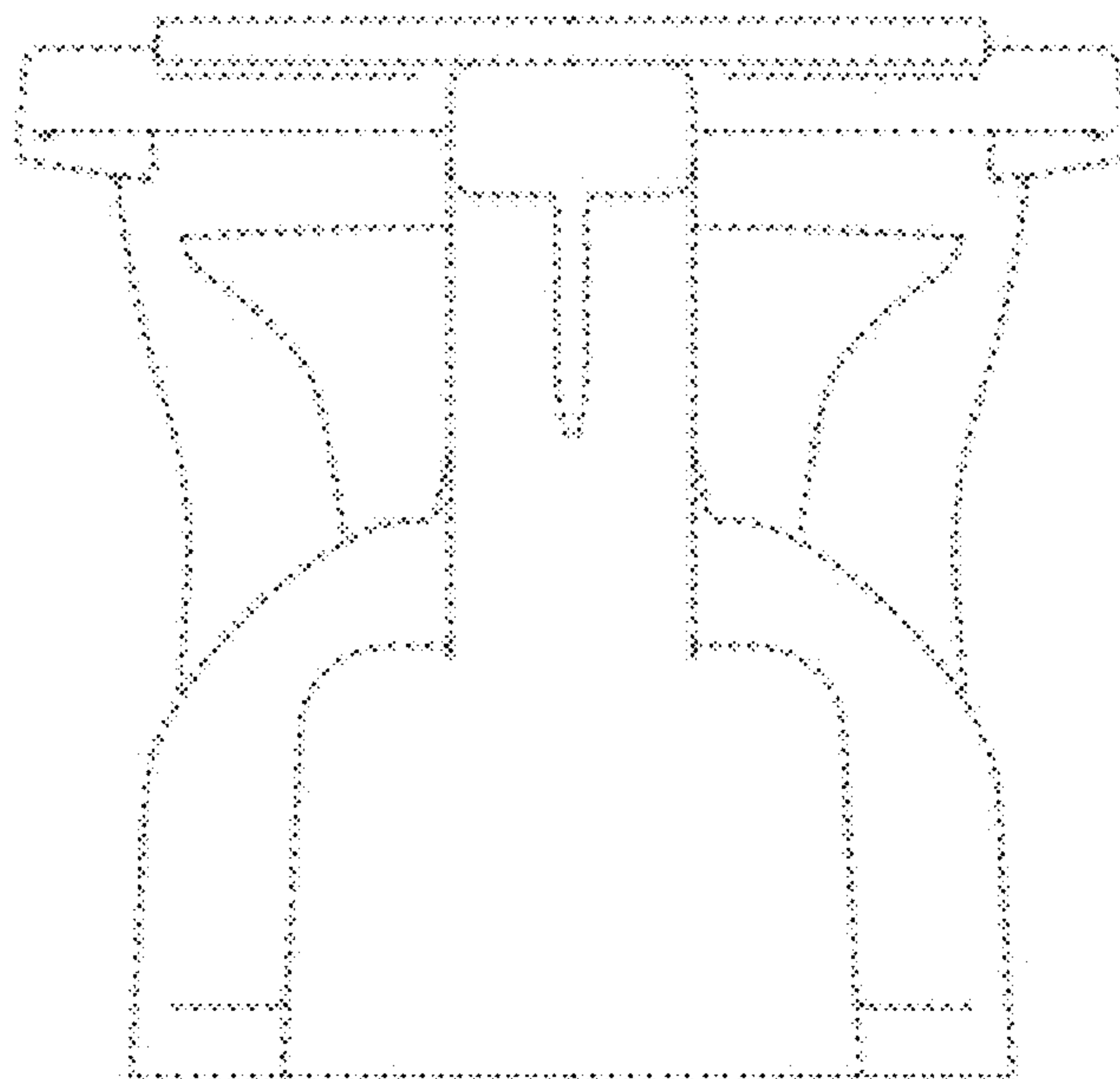


Fig. 5

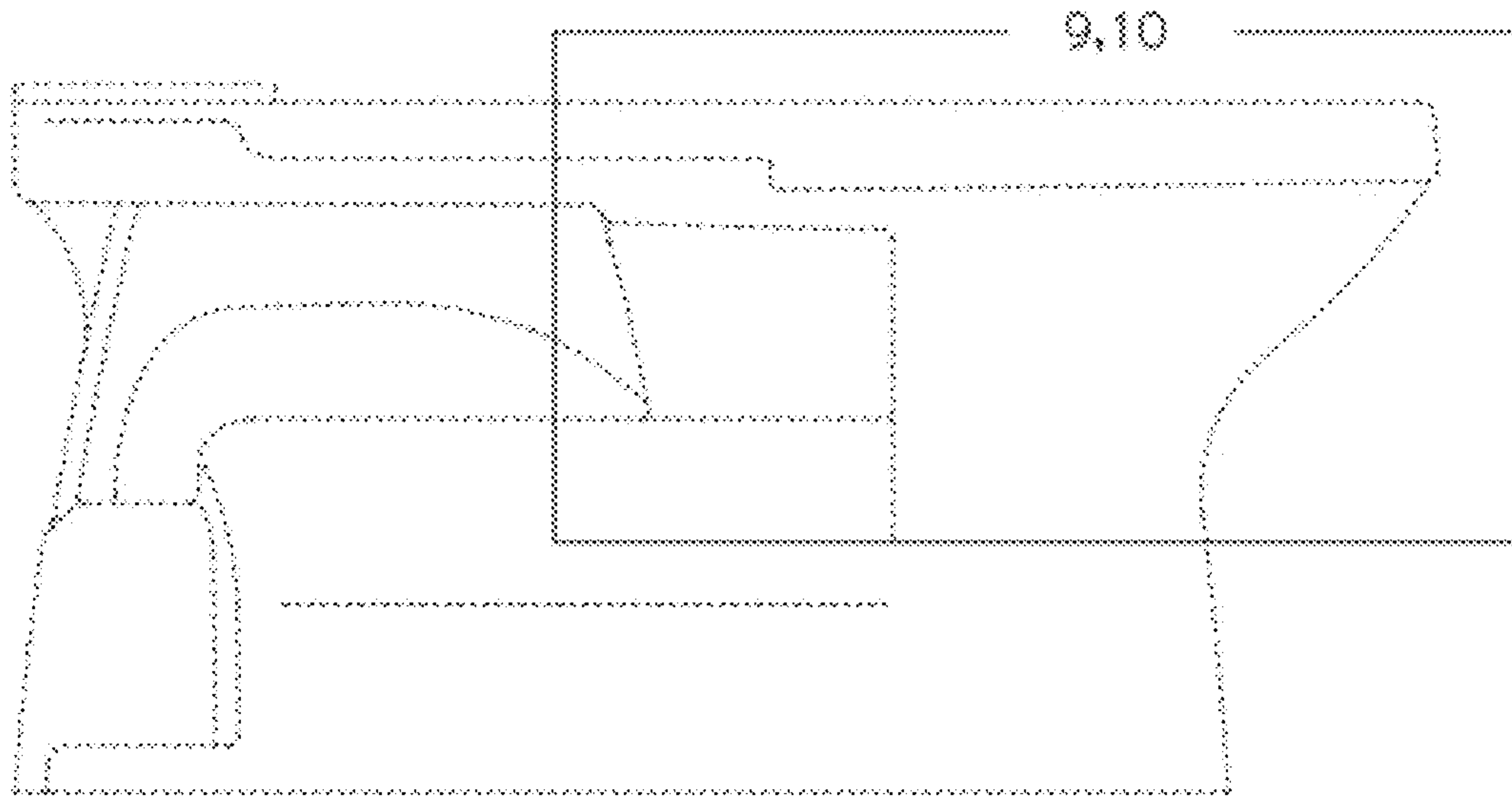


Fig. 6

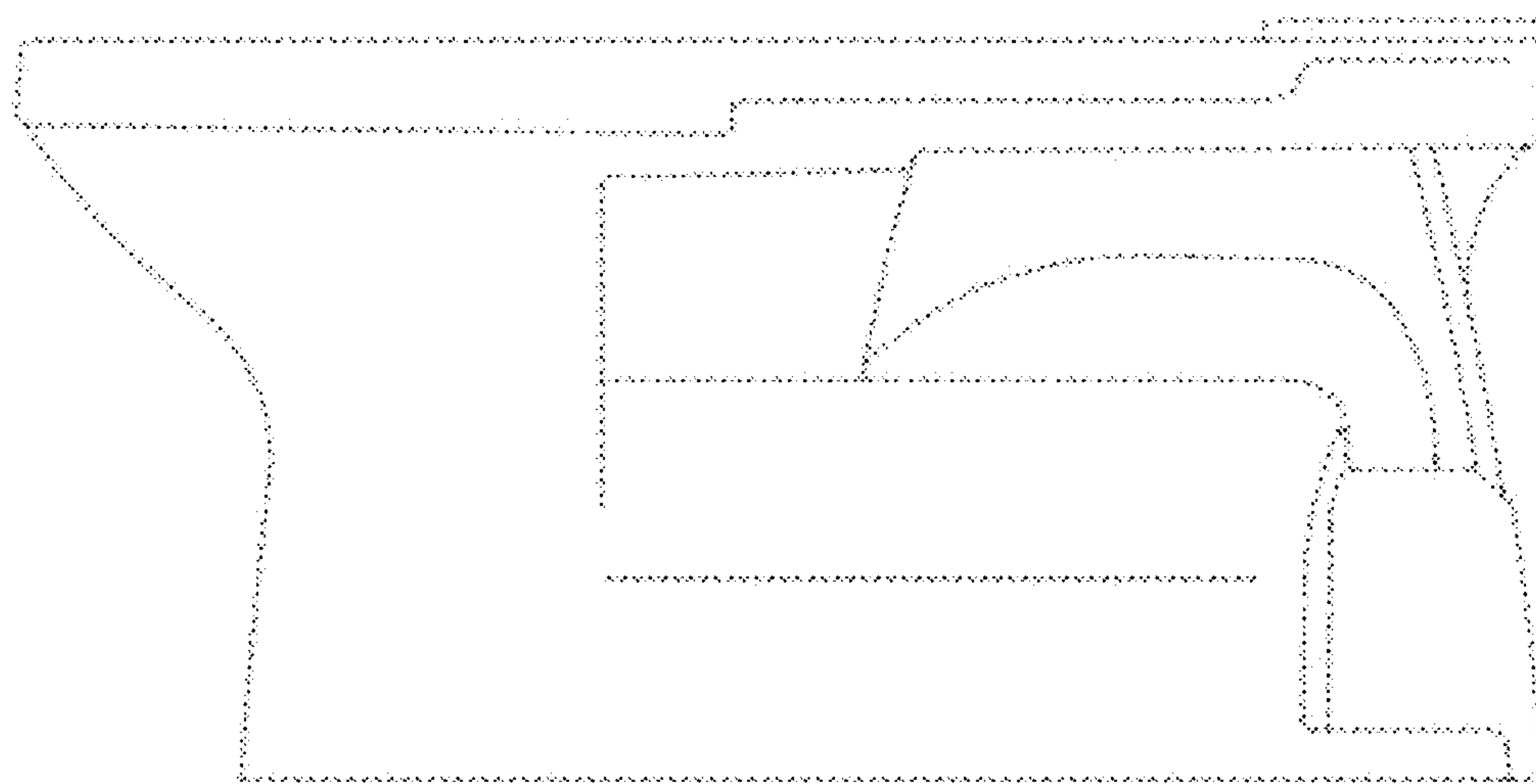




Fig. 7

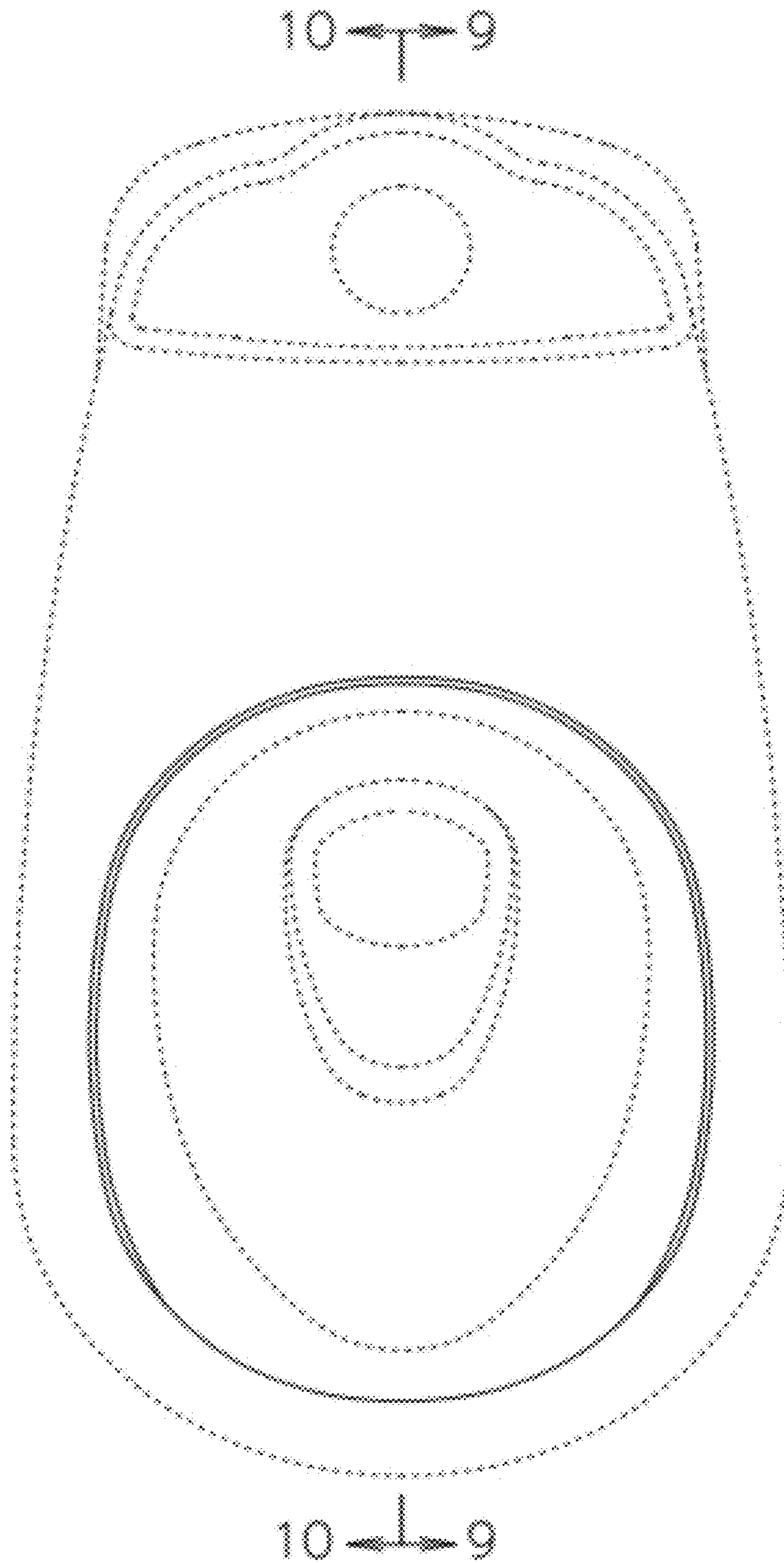


Fig. 8

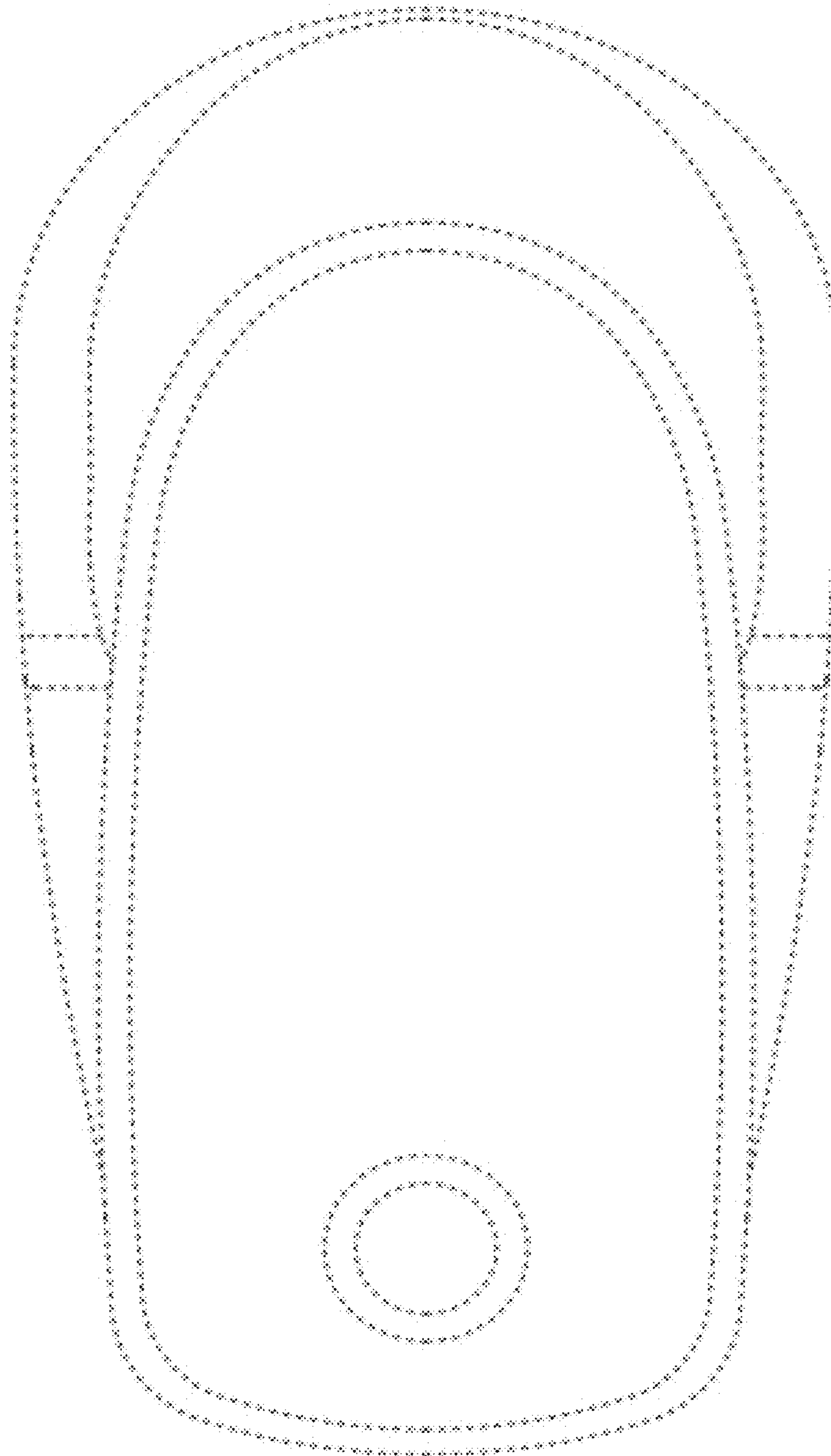


Fig. 9

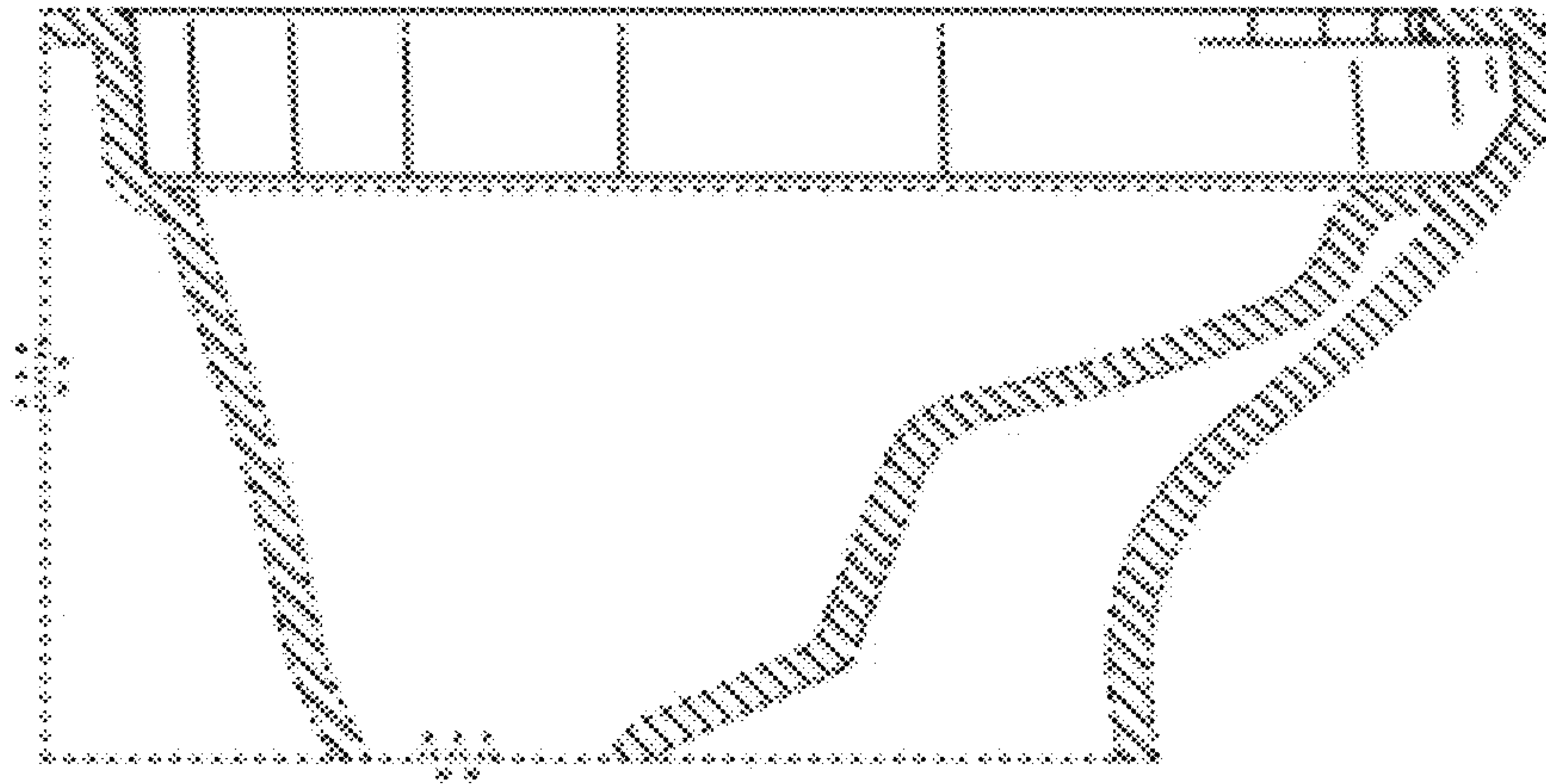


Fig. 10

