



US00D672852S

(12) **United States Design Patent**
Inoue et al.

(10) **Patent No.:** **US D672,852 S**
(45) **Date of Patent:** **** Dec. 18, 2012**

(54) **TOILET BOWL**

(75) Inventors: **Masaaki Inoue**, Fukuoka (JP);
Masahiro Nakamura, Fukuoka (JP); **Yu Yamasaki**, Fukuoka (JP)

(73) Assignee: **Toto Ltd.** (JP)

(**) Term: **14 Years**

(21) Appl. No.: **29/414,523**

(22) Filed: **Feb. 29, 2012**

(30) **Foreign Application Priority Data**

Aug. 31, 2011 (JP) 2011-019758

(51) **LOC (9) Cl.** **23-02**

(52) **U.S. Cl.** **D23/309**

(58) **Field of Classification Search** D23/295,
D23/301, 303, 309; 4/300, 329, 420, 443
See application file for complete search history.

(56) **References Cited**

U.S. PATENT DOCUMENTS

D477,387 S *	7/2003	Tani et al.	D23/301
D483,448 S *	12/2003	Ruxchaivan	D23/295
D501,916 S *	2/2005	Kakahana	D23/301
D624,165 S *	9/2010	Yokoyama et al.	D23/301
D654,993 S *	2/2012	Ando et al.	D23/301

OTHER PUBLICATIONS

U.S. Appl. No. 29/414,521, filed Feb. 29, 2012.
U.S. Appl. No. 29/414,530, filed Feb. 29, 2012.

* cited by examiner

Primary Examiner — Robert Delehanty

(74) *Attorney, Agent, or Firm* — Banner & Witcoff, Ltd.

(57) **CLAIM**

The ornamental design for a toilet bowl, as shown and described.

DESCRIPTION

FIG. 1 is a perspective view of front, top and right side of a toilet bowl according to our new design;
FIG. 2 is a perspective view of rear, top and left side thereof;
FIG. 3 is a front view thereof;
FIG. 4 is a rear view thereof;
FIG. 5 is a left side view thereof;
FIG. 6 is a right side view thereof;
FIG. 7 is a top view thereof;
FIG. 8 is a bottom view thereof;
FIG. 9 is an enlarged cross sectional view at 9-9 thereof; and,
FIG. 10 is an enlarged cross sectional view at 10-10 thereof.
The portions of the article in broken lines are shown for illustrative purposes only and form no part of the claimed design.

1 Claim, 7 Drawing Sheets

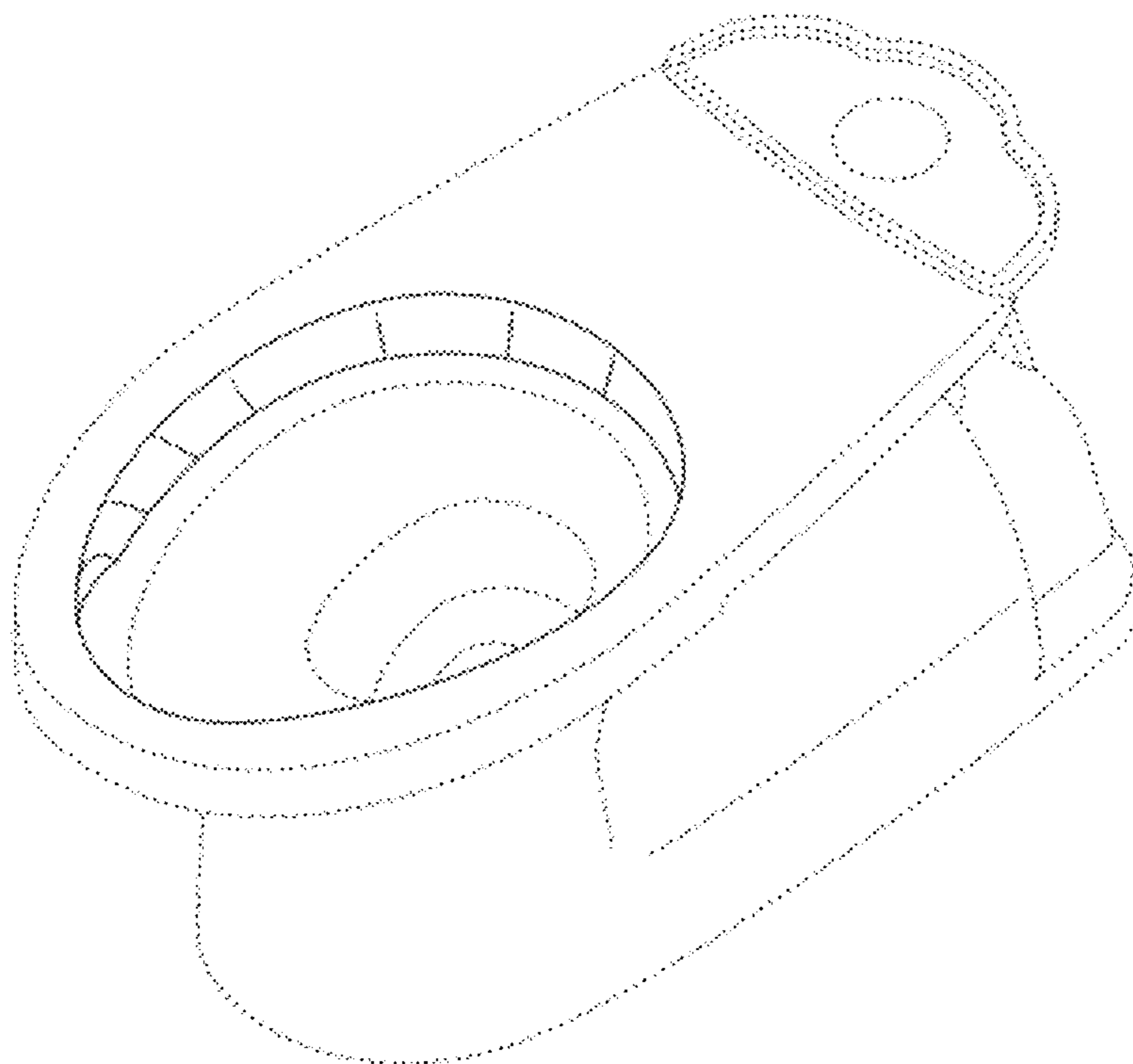


Fig. 1

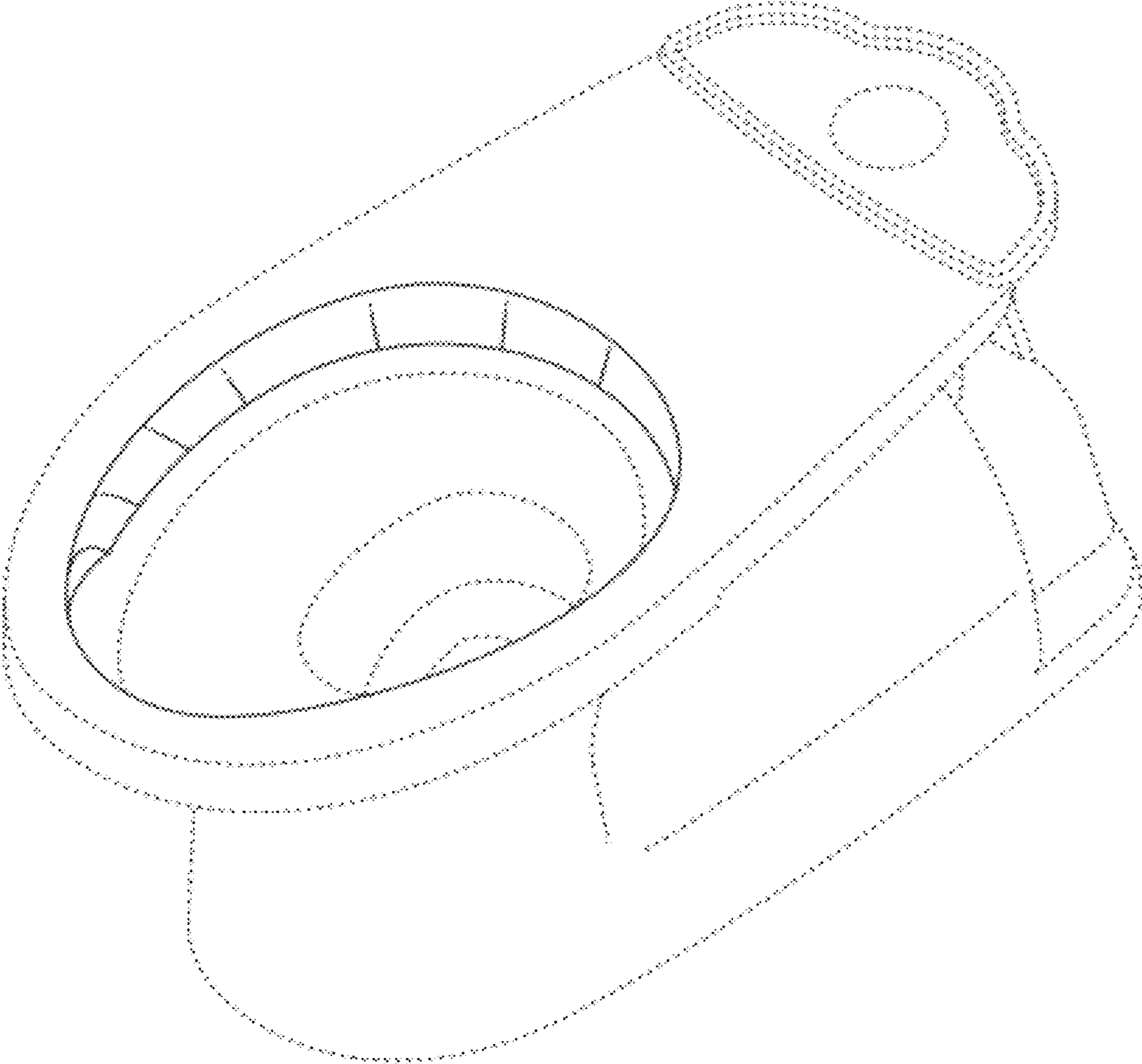


Fig. 2

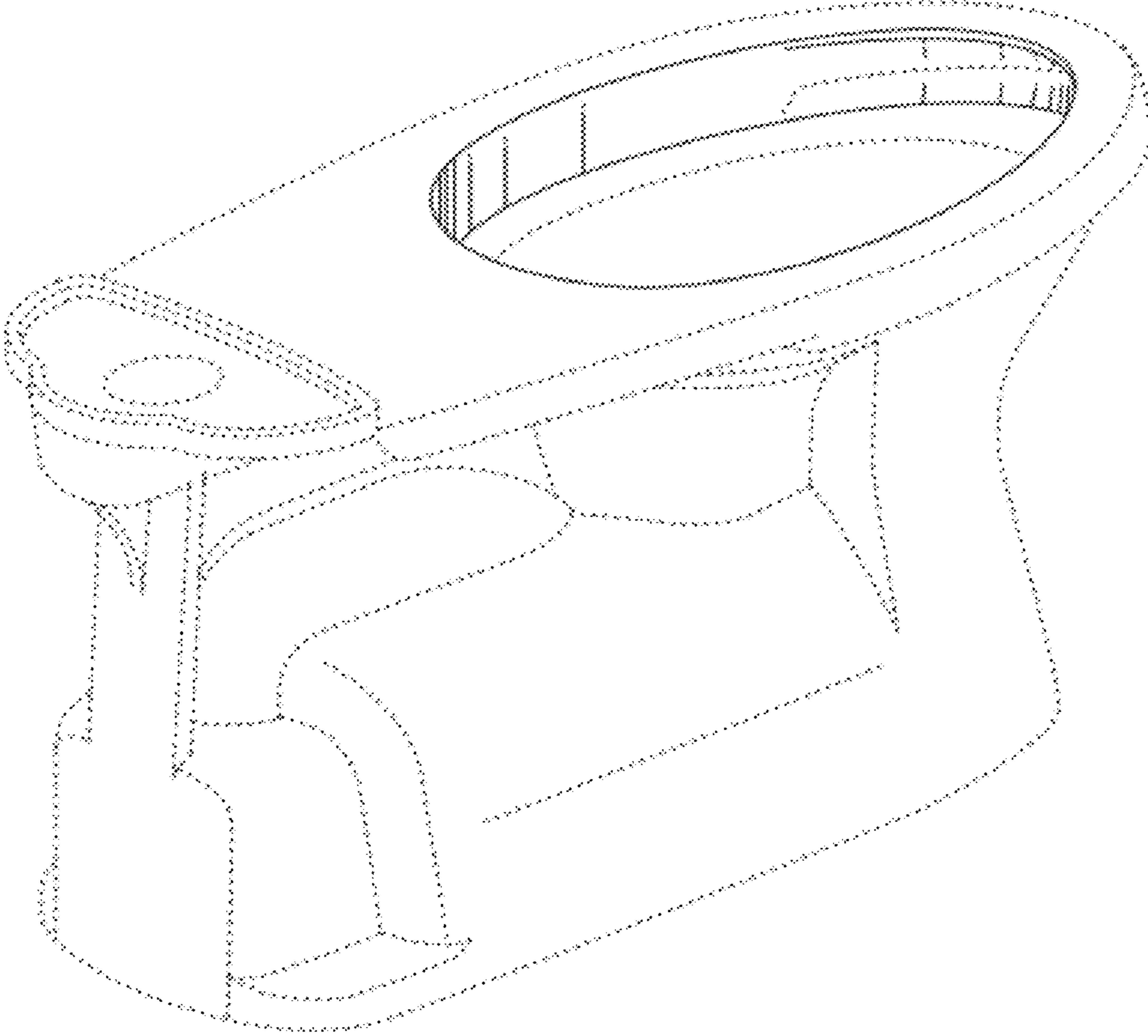


Fig. 3

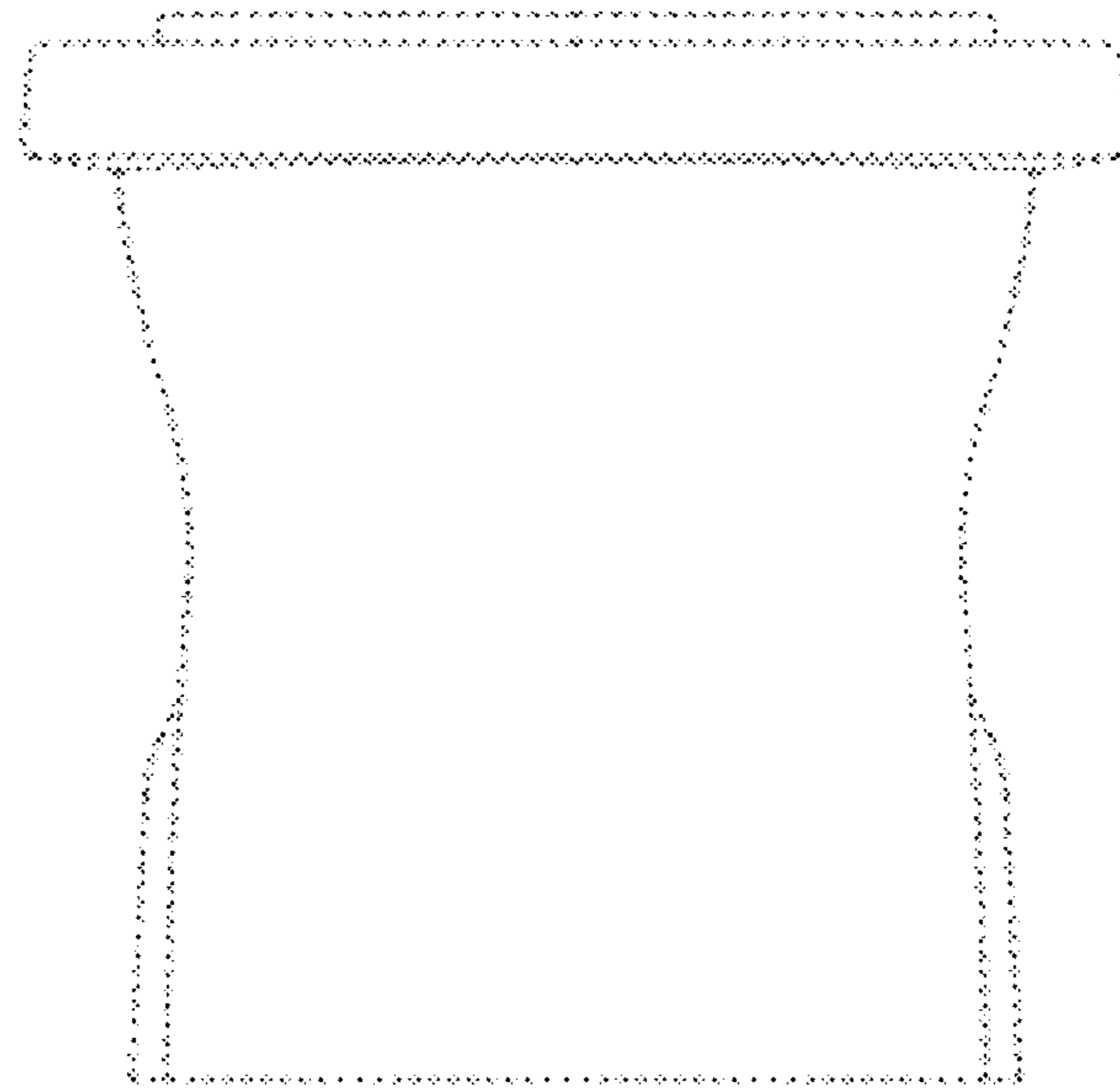


Fig. 4

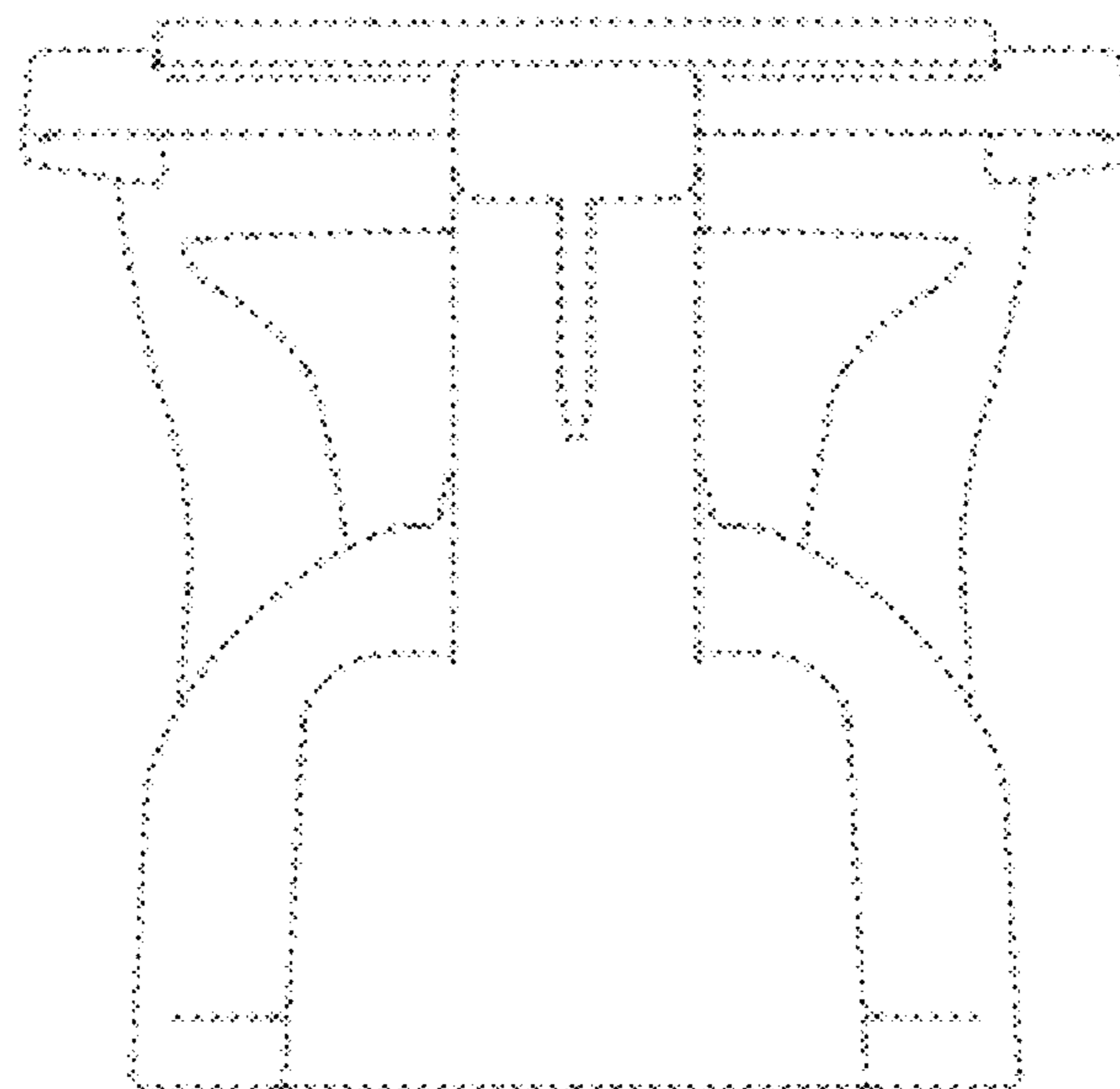


Fig. 5

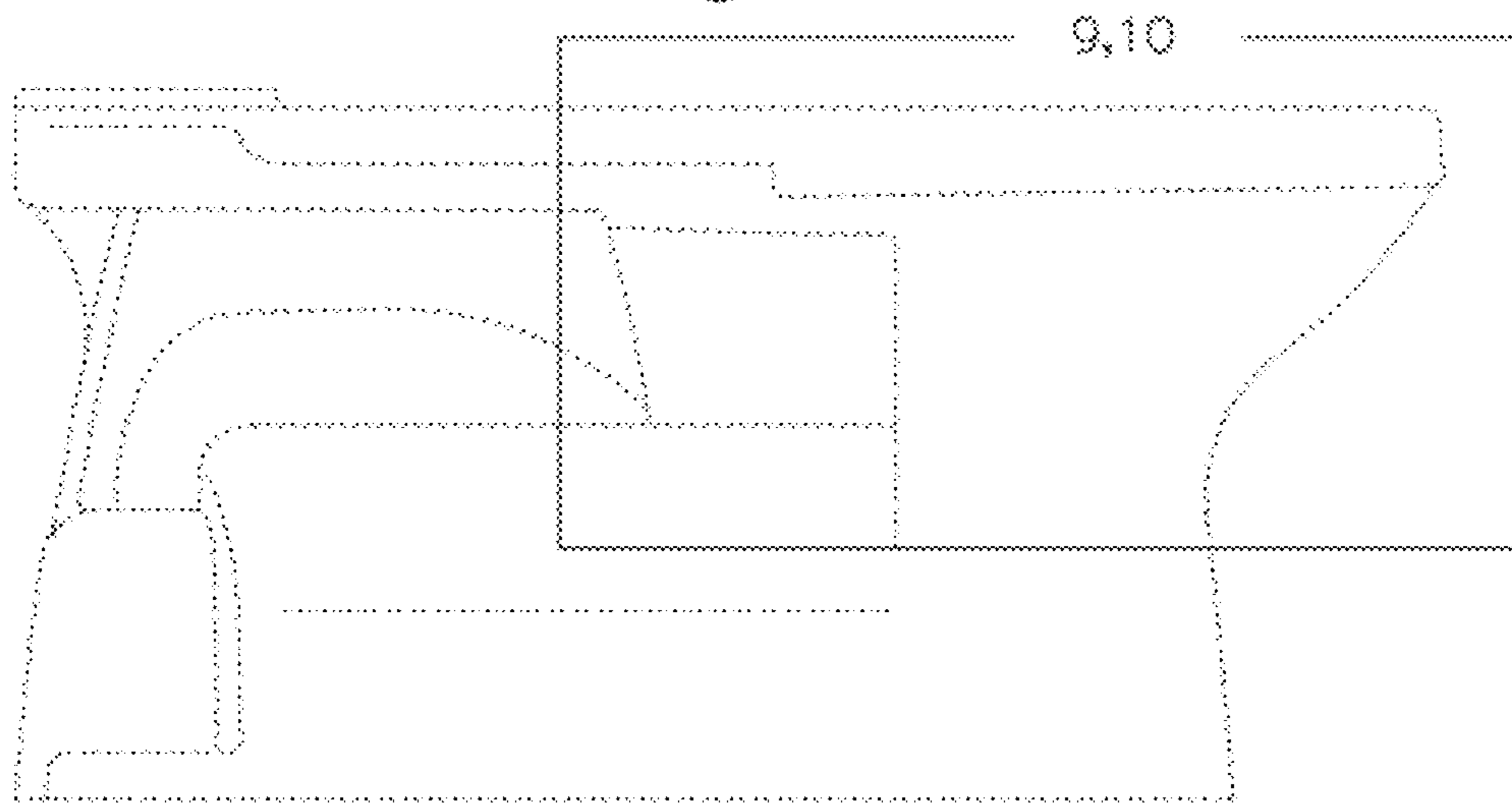


Fig. 6

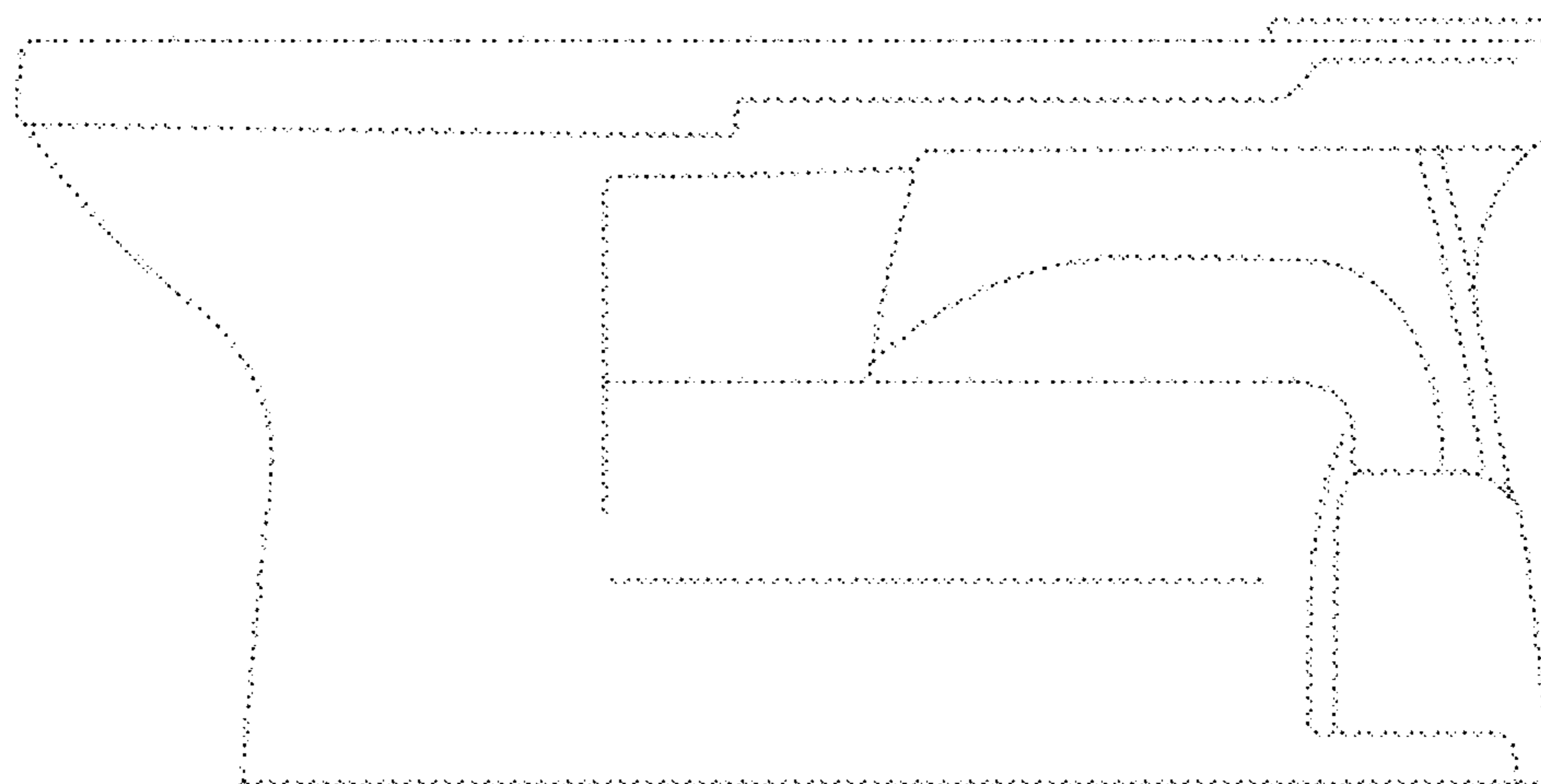


Fig. 7

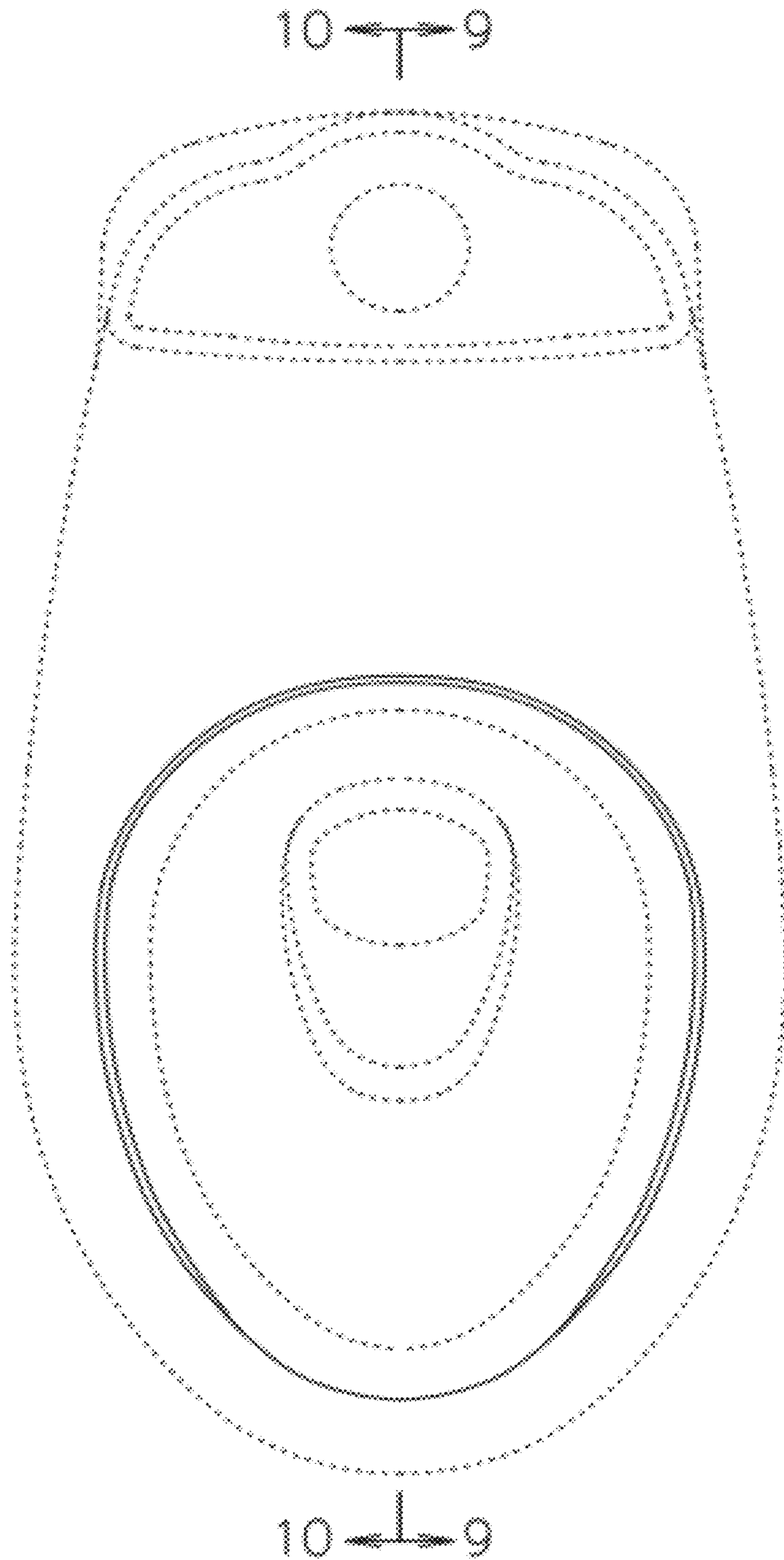


Fig. 8

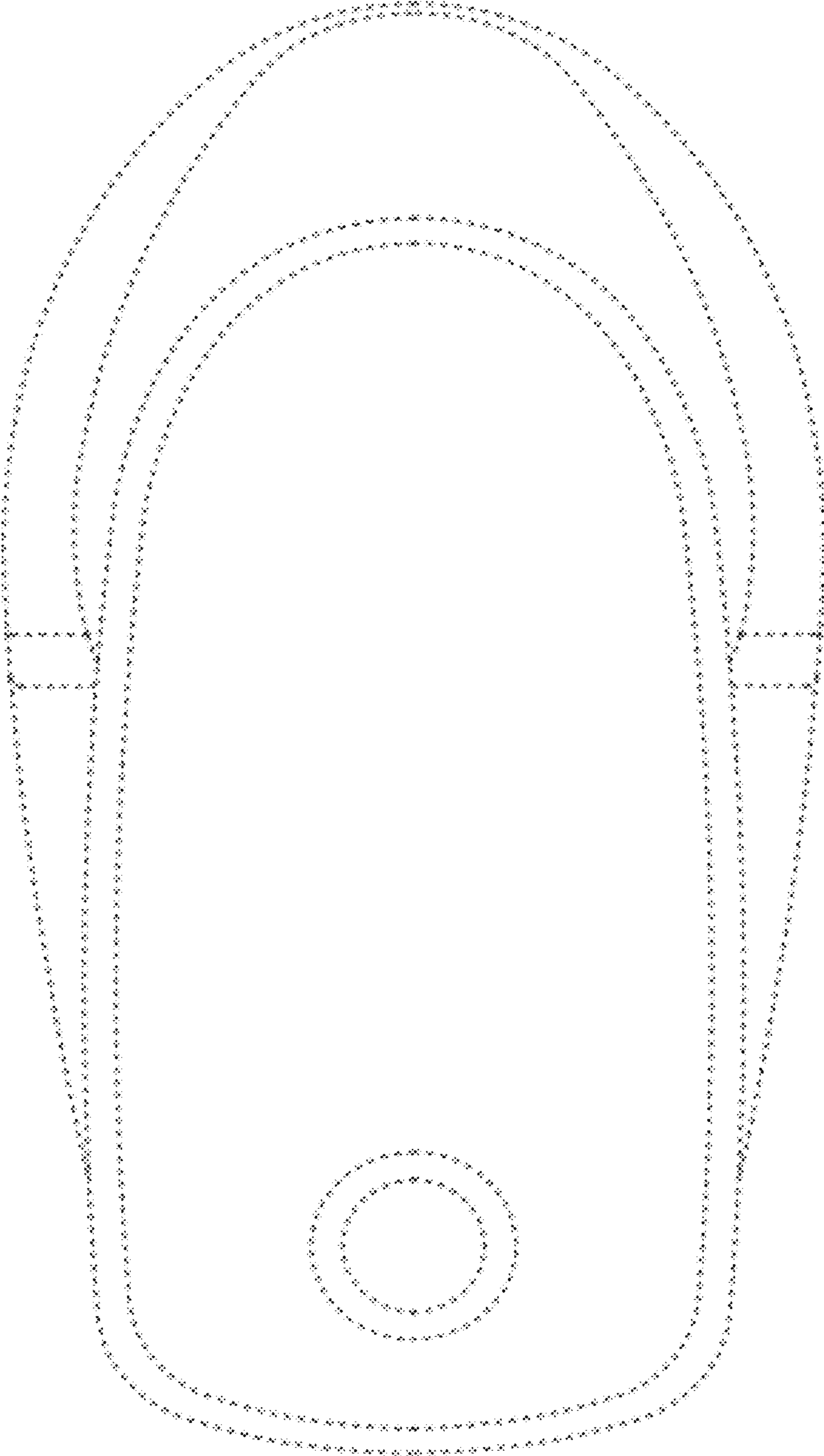


Fig. 9

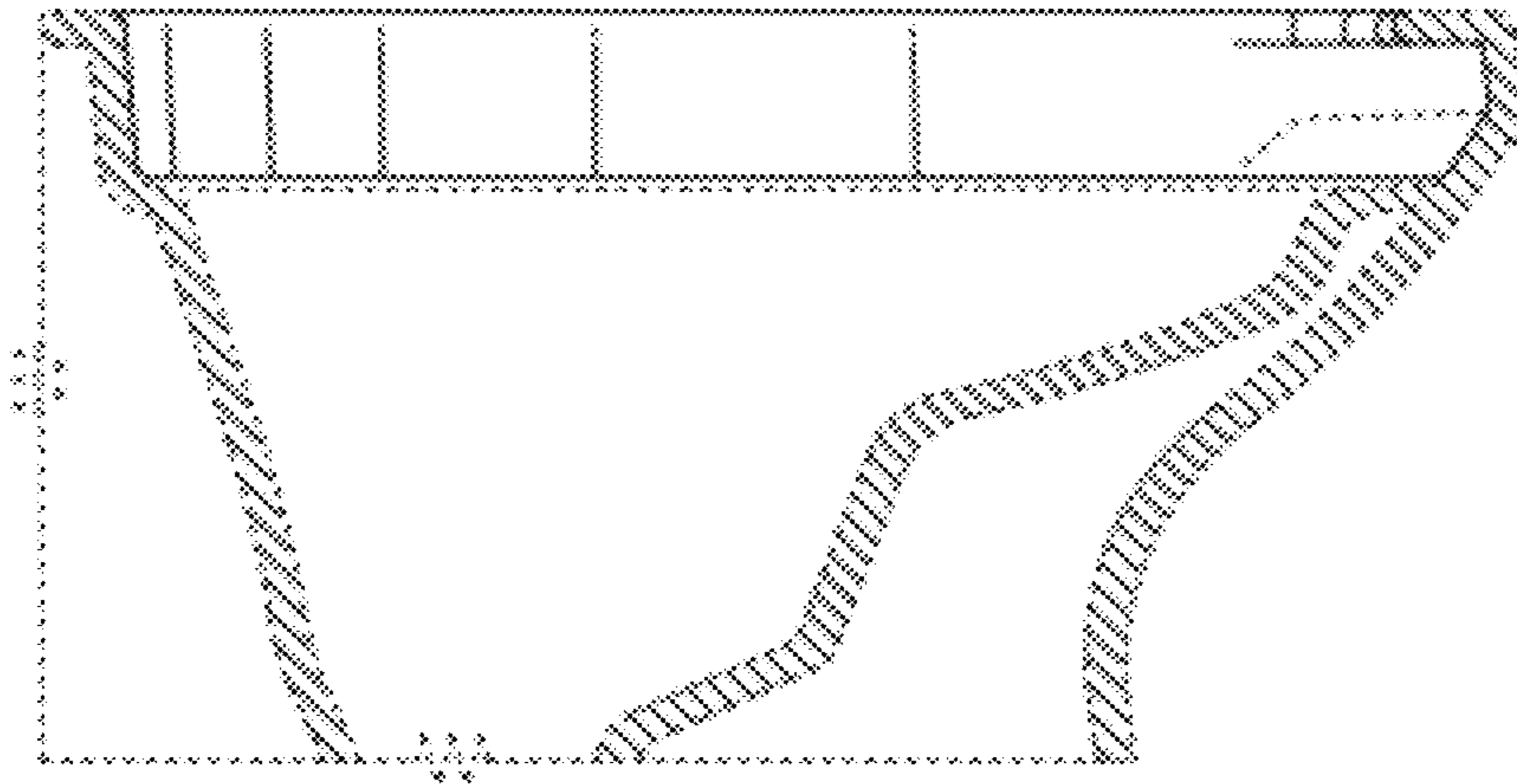


Fig. 10

