



US00D672848S

(12) **United States Design Patent**
Wirz Luchsinger

(10) **Patent No.:** **US D672,848 S**
(45) **Date of Patent:** **** Dec. 18, 2012**

- (54) **SPRAYER TANK**
- (75) Inventor: **Pedro Wirz Luchsinger**, Jalisco (MX)
- (73) Assignee: **Swissmex-Rapid, S.A. de C.V.**, Lagos de Moreno, Jalisco (MX)
- (**) Term: **14 Years**
- (21) Appl. No.: **29/400,508**
- (22) Filed: **Aug. 29, 2011**
- (51) **LOC (9) Cl.** **23-01**
- (52) **U.S. Cl.** **D23/225; D23/202**
- (58) **Field of Classification Search** D23/213, D23/225, 202; 239/302, 308, 310, 332, 333, 239/337, 373, DIG. 14, 142, 152-154
See application file for complete search history.

7,309,028	B2	12/2007	Langhans et al.	
D567,897	S *	4/2008	Hillhouse	D23/202
D570,447	S *	6/2008	Hillhouse	D23/225
D591,387	S	4/2009	Campbell	
D609,773	S *	2/2010	Abernethy et al.	D23/202
D616,959	S *	6/2010	Wu	D23/202
7,854,396	B2 *	12/2010	Wu	239/152
D633,984	S *	3/2011	Plantz	D23/225
2004/0112982	A1	6/2004	Dilley	
2006/0261181	A1	11/2006	Wirz	

* cited by examiner

Primary Examiner — Robin V Webster

(74) *Attorney, Agent, or Firm* — Robert D. Buyan; Stout, Uxa, Buyan & Mullins, LLP

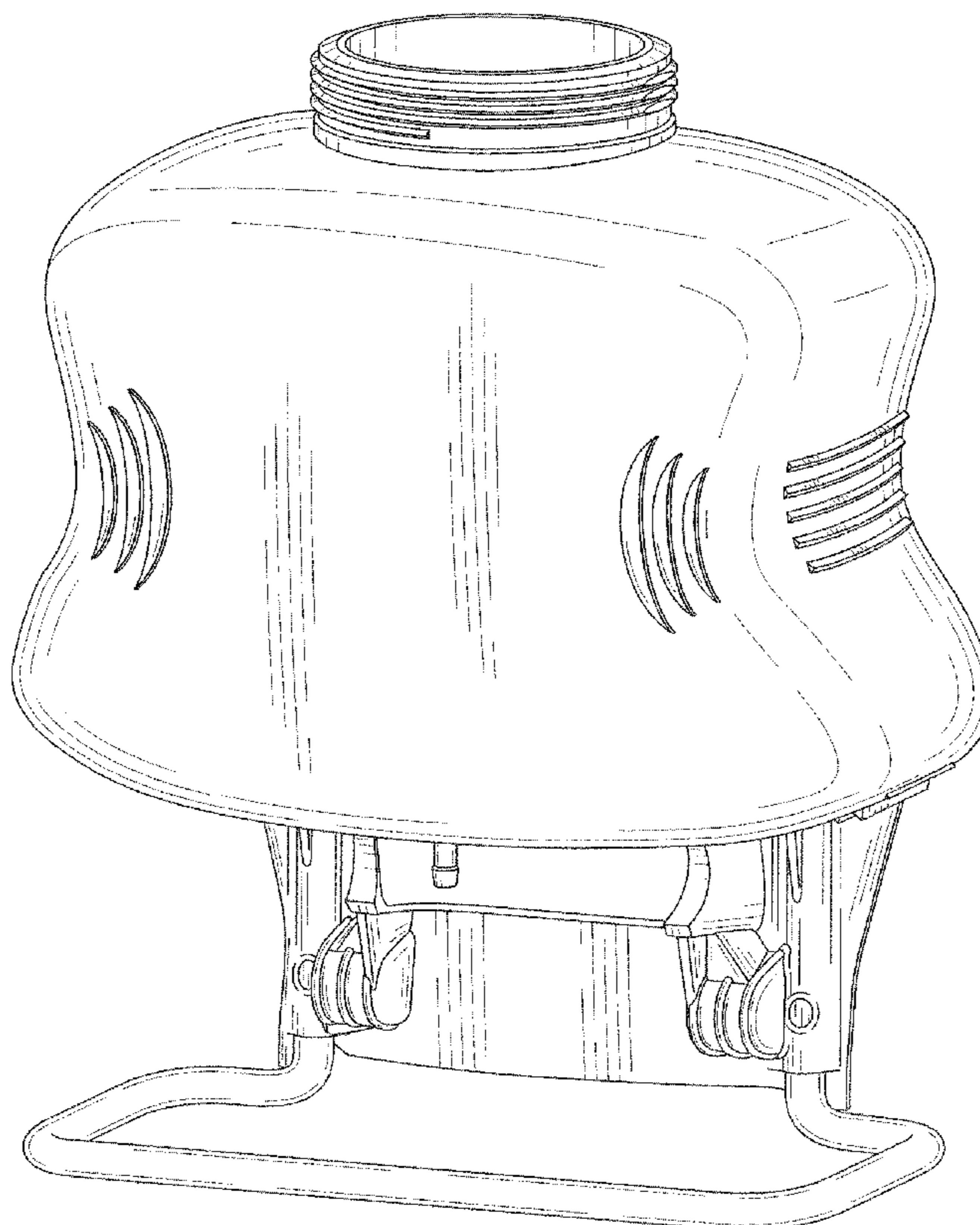
(57) **CLAIM**
The ornamental design for a sprayer tank, as shown.

DESCRIPTION

FIG. 1 is a left perspective view of an embodiment of the sprayer tank;
 FIG. 2 is a front view of the embodiment of FIG. 1;
 FIG. 3 is a rear view of the embodiment of FIG. 1;
 FIG. 4 is a right side view of the embodiment of FIG. 1;
 FIG. 5 is left side view of the embodiment of FIG. 1;
 FIG. 6 is a top view of the embodiment of FIG. 1; and,
 FIG. 7 is a bottom view of the embodiment of FIG. 1.
 The broken line showing in FIG. 3 is included for the purpose of illustrating and forms no part of the claimed design.

1 Claim, 5 Drawing Sheets

- (56) **References Cited**
- U.S. PATENT DOCUMENTS
- 4,702,416 A 10/1987 Pagliali et al.
- 4,798,333 A 1/1989 Luchsinger
- 5,240,186 A * 8/1993 Dobbins et al. 239/690.1
- 5,478,015 A 12/1995 Black
- 5,636,791 A * 6/1997 Leer 239/142
- 5,671,884 A * 9/1997 Restive 239/154
- 5,775,543 A 7/1998 Wahrenbrock
- 5,857,618 A 1/1999 Restive
- 5,984,199 A 11/1999 Restive
- 6,412,707 B1 7/2002 Wirz
- 6,729,558 B1 * 5/2004 Seenauth 239/152



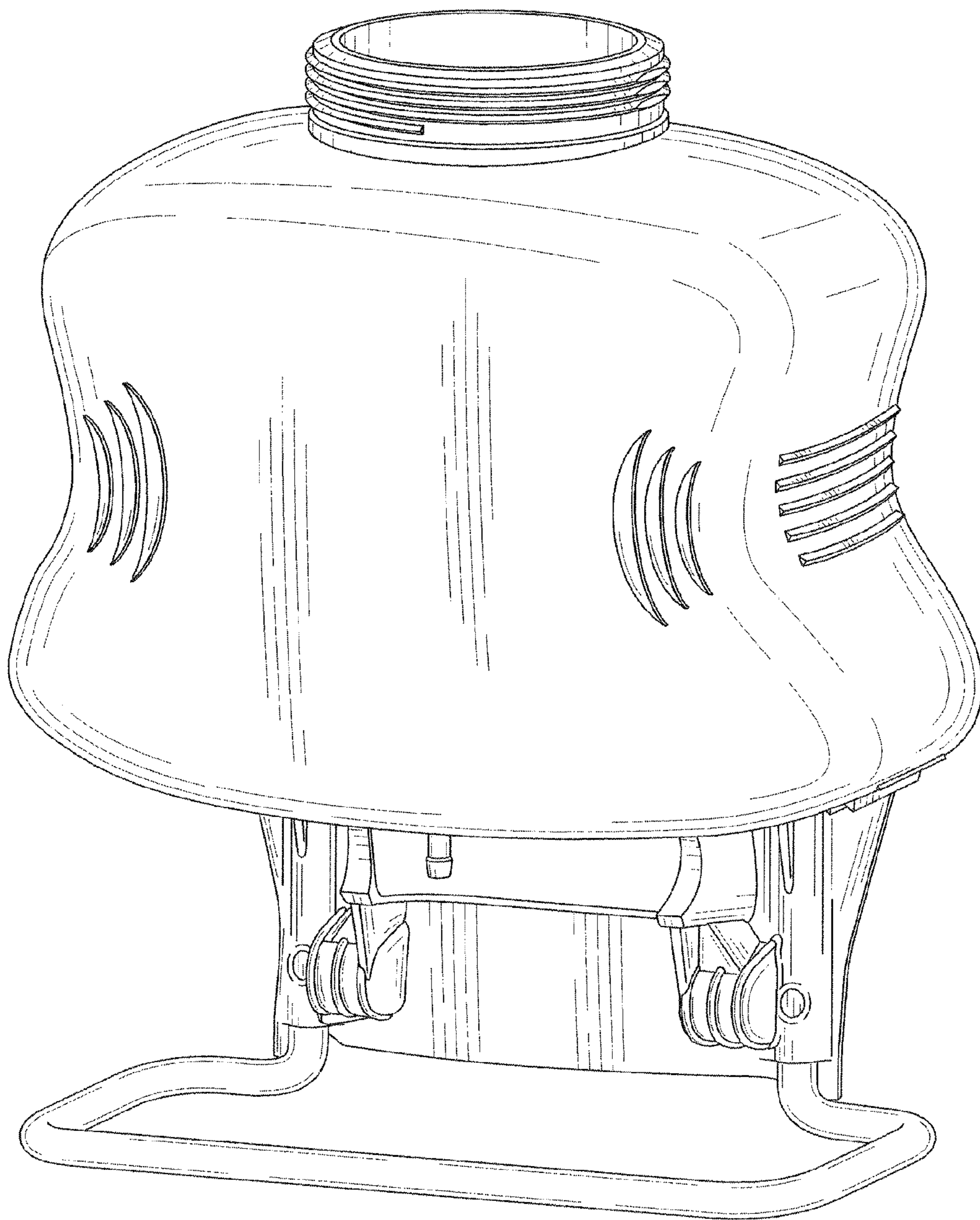


FIG. 1

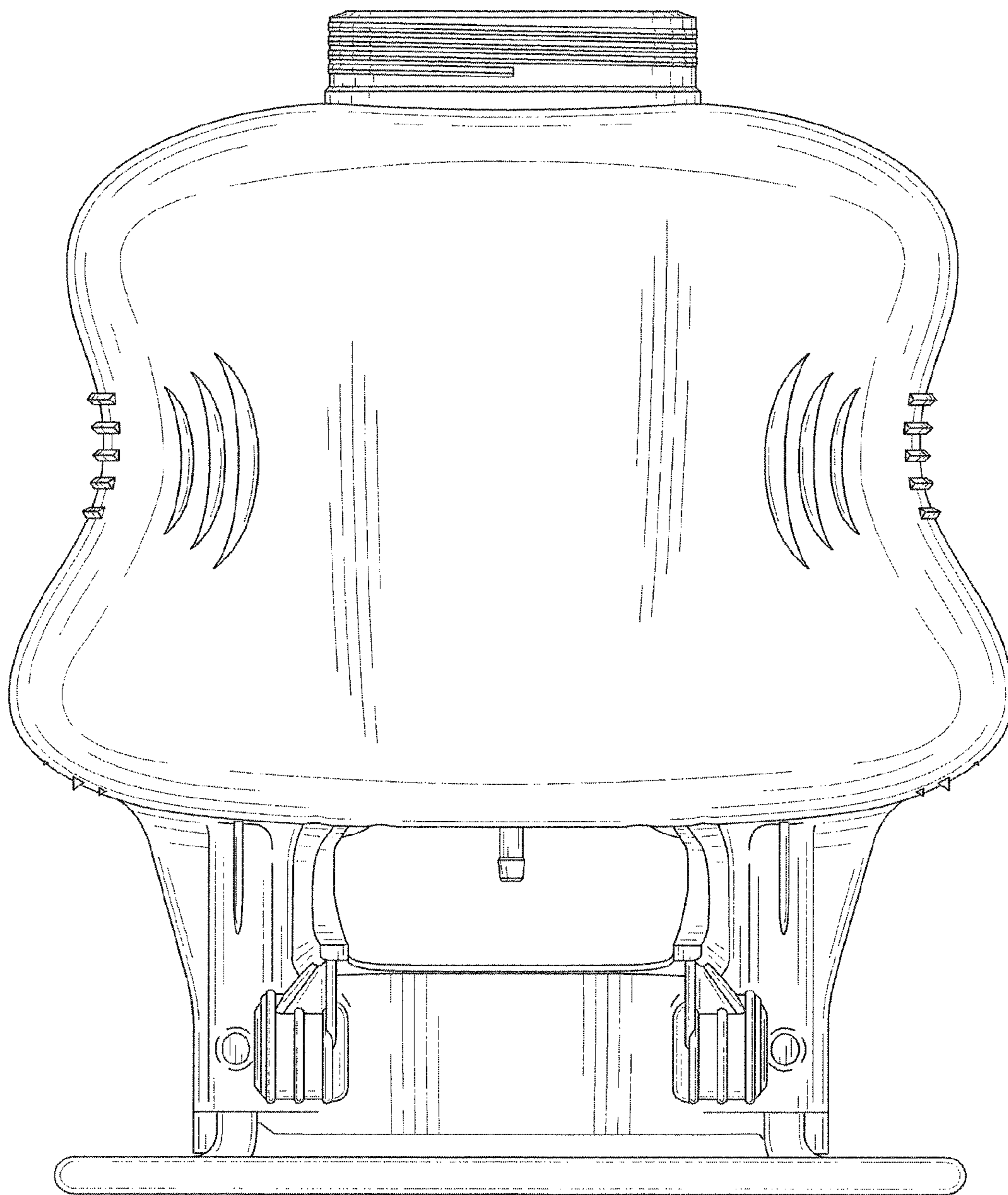


FIG. 2

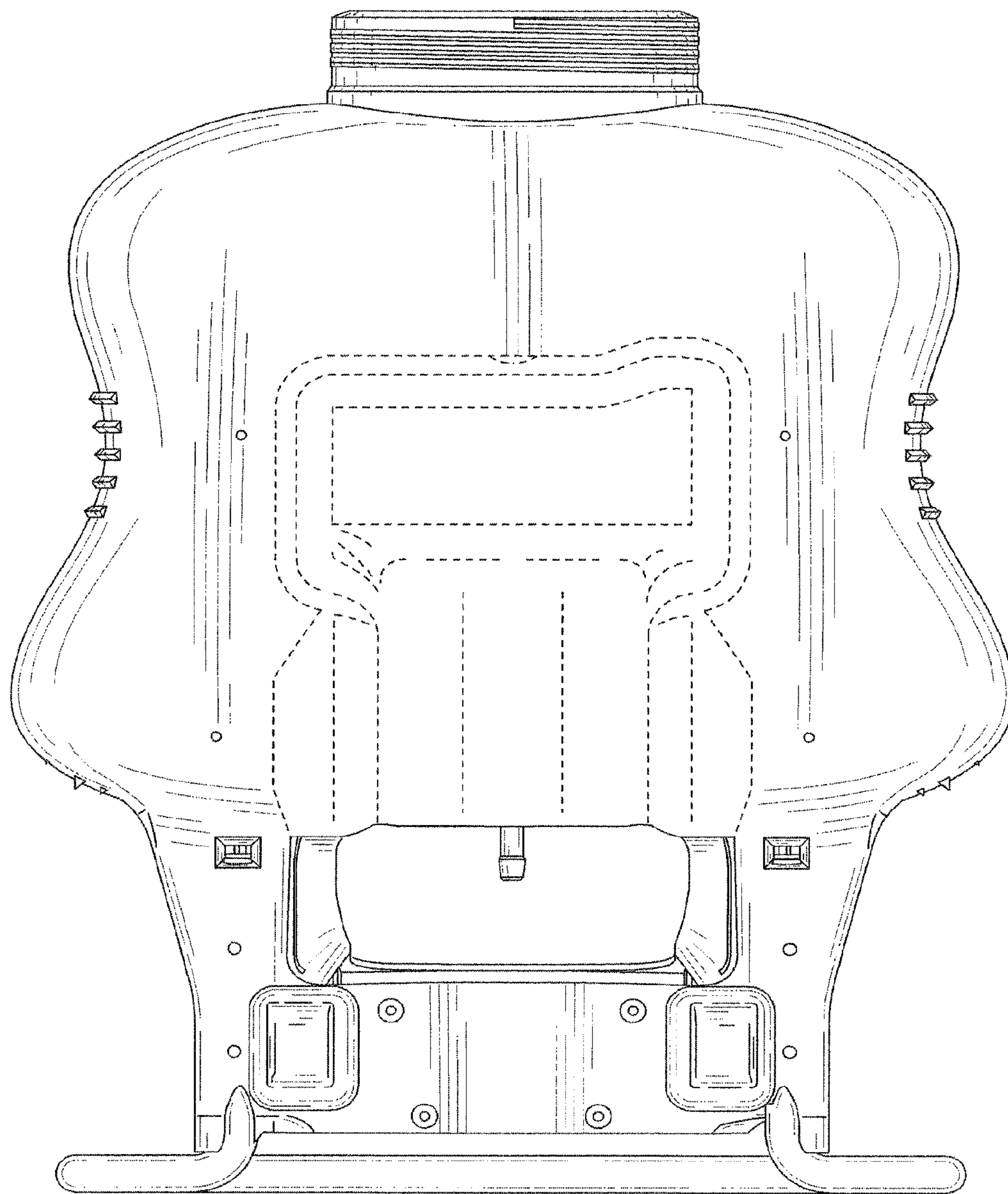


FIG. 3

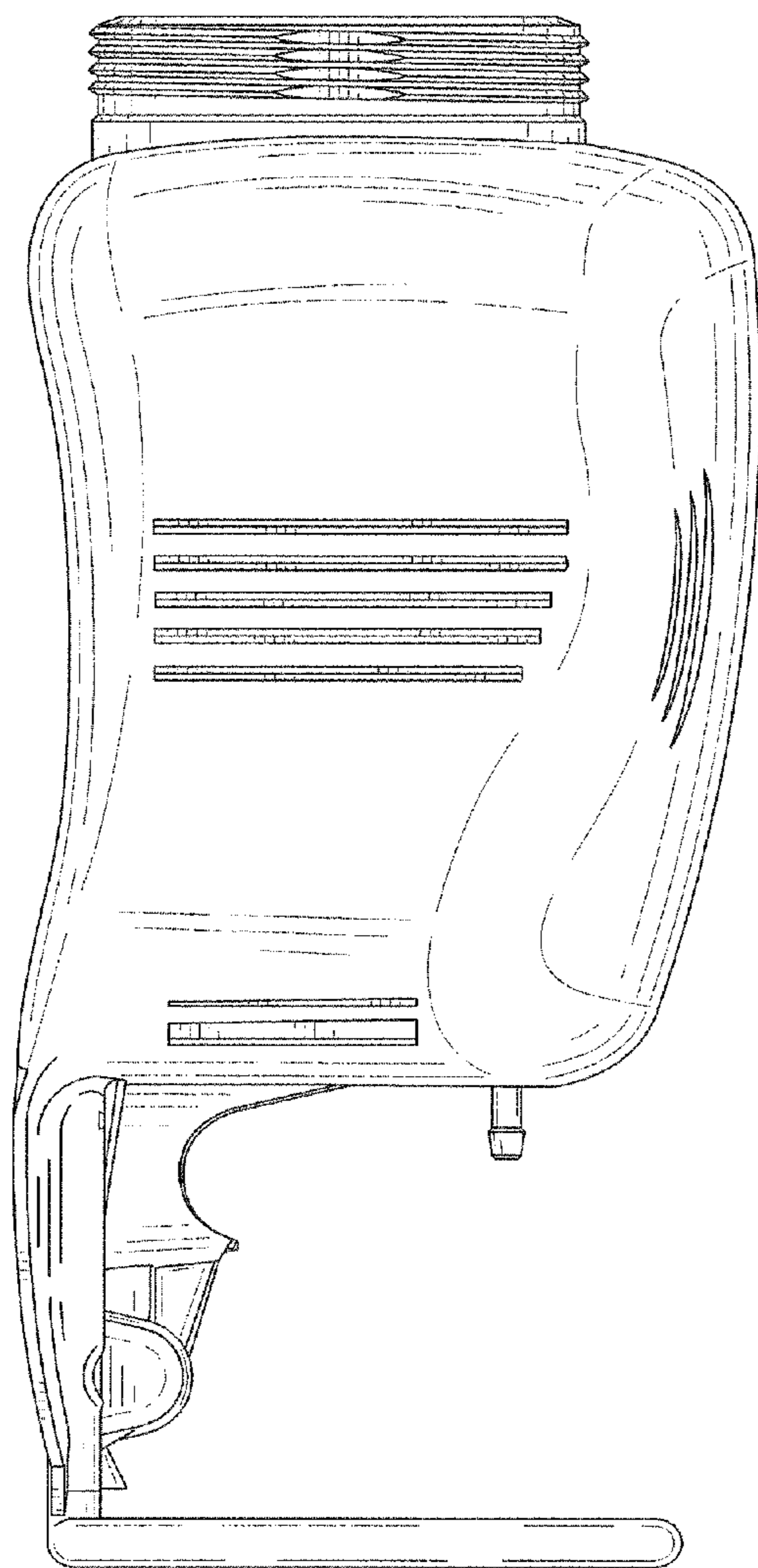


FIG. 4

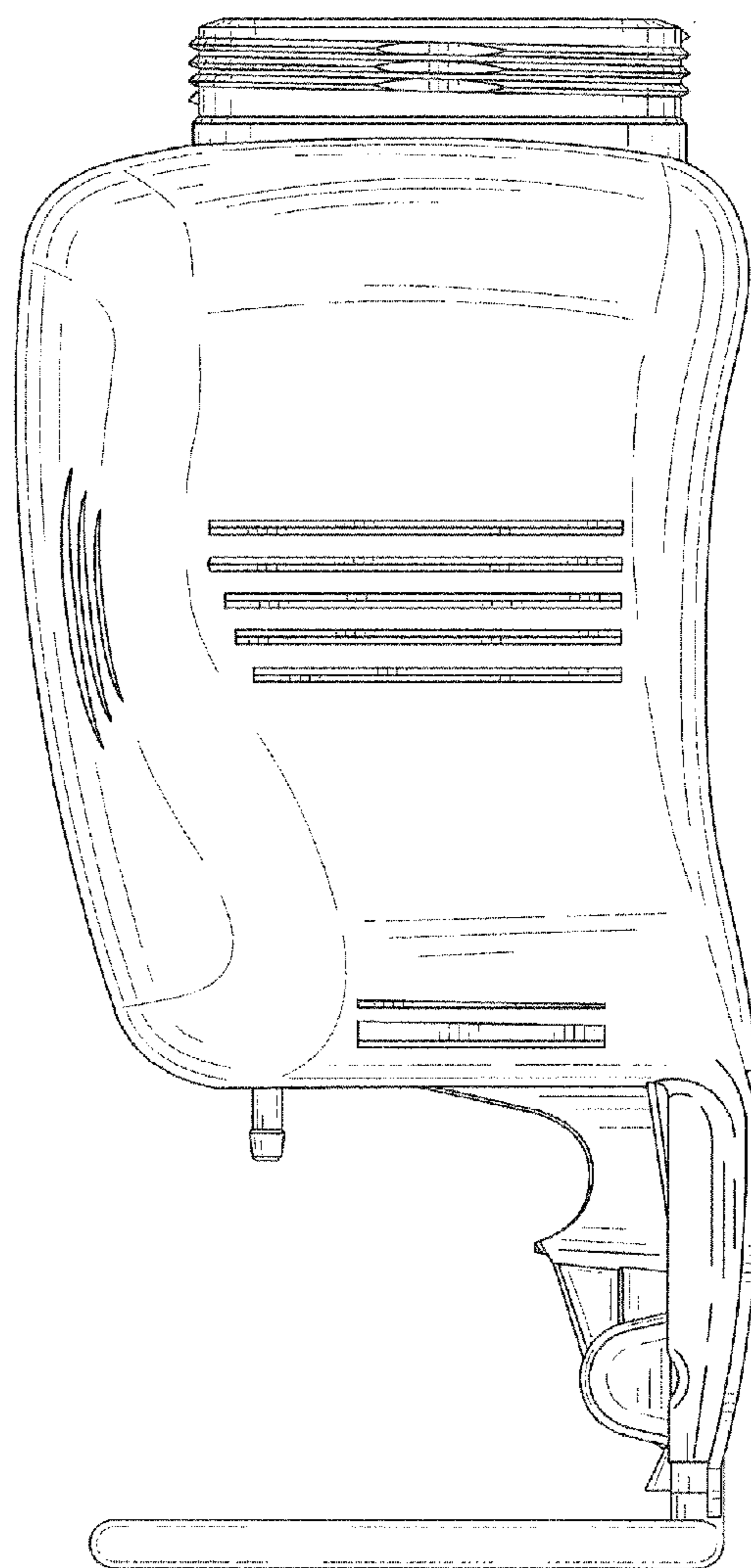


FIG. 5

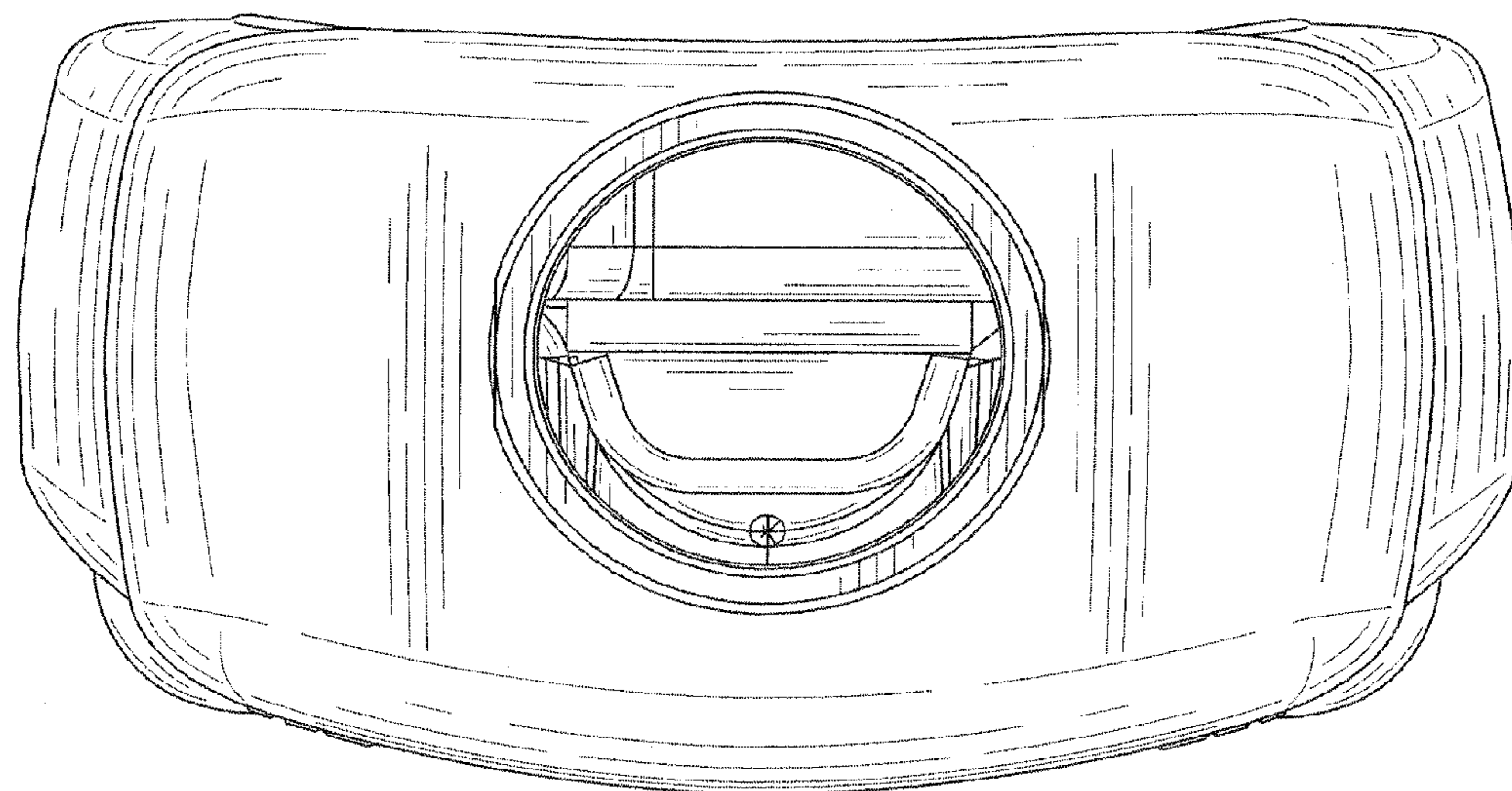


FIG. 6

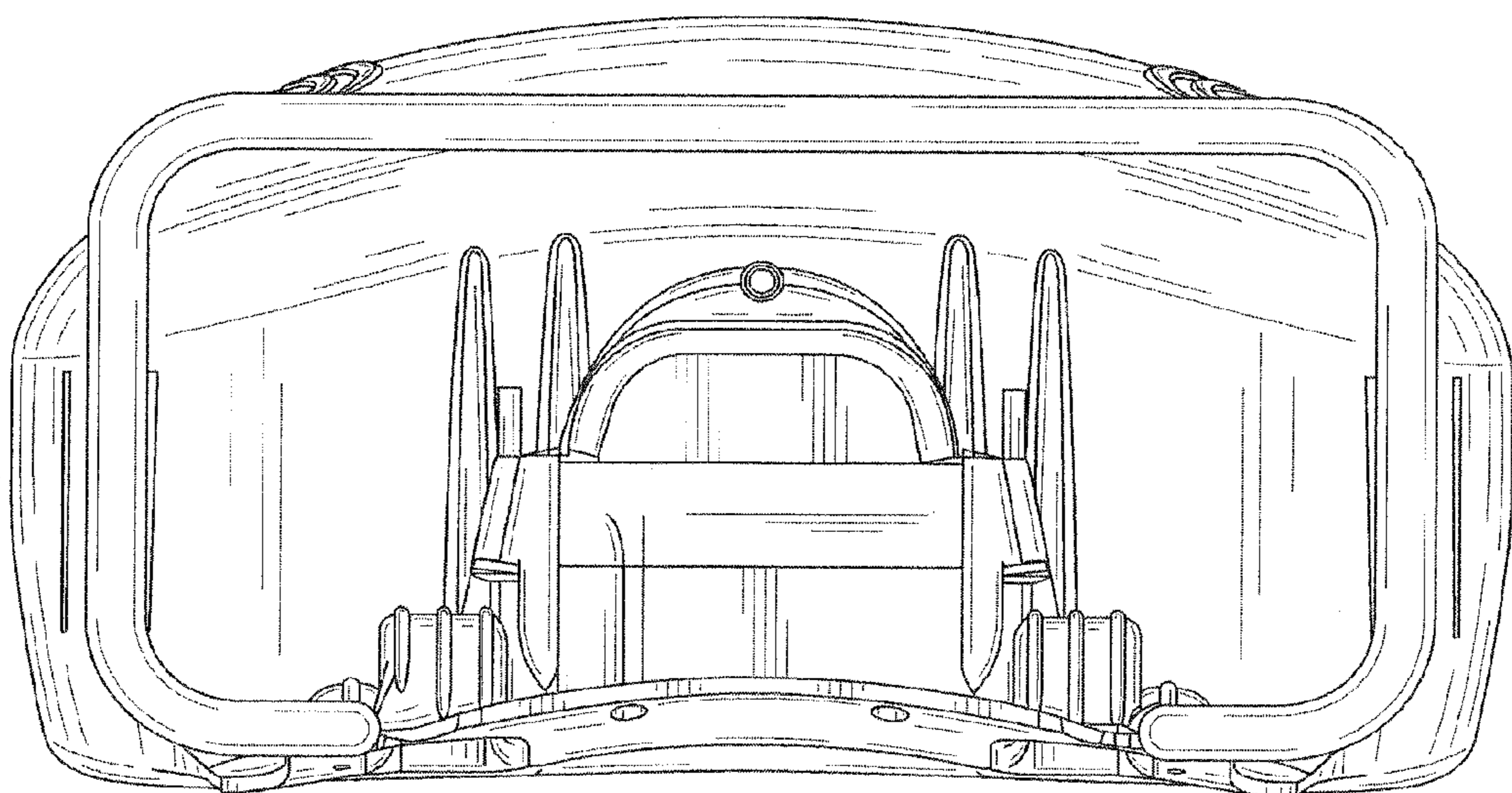


FIG. 7