



US00D672847S

(12) **United States Design Patent**
Woodling

(10) **Patent No.:** **US D672,847 S**

(45) **Date of Patent:** **** Dec. 18, 2012**

(54) **SPRAY PACK CONTAINER**

D643,906 S * 8/2011 Kendall et al. D23/202

(76) Inventor: **Benjamin Compton Woodling,**
Southampton (GB)

* cited by examiner

(**) Term: **14 Years**

Primary Examiner — Robin V Webster

(21) Appl. No.: **29/415,755**

(74) *Attorney, Agent, or Firm* — Gary E. Lambert; David J. Connaughton, Jr.; Lambert & Associates

(22) Filed: **Mar. 14, 2012**

(57) **CLAIM**

(51) **LOC (9) Cl.** **23-01**

The ornamental design for a spray pack container, as shown and described.

(52) **U.S. Cl.** **D23/202; D23/225**

(58) **Field of Classification Search** D23/202,
D23/225; 239/302, 308, 332, 333, 337, DIG. 14;
222/465.1, 383.1, 383.3

See application file for complete search history.

DESCRIPTION

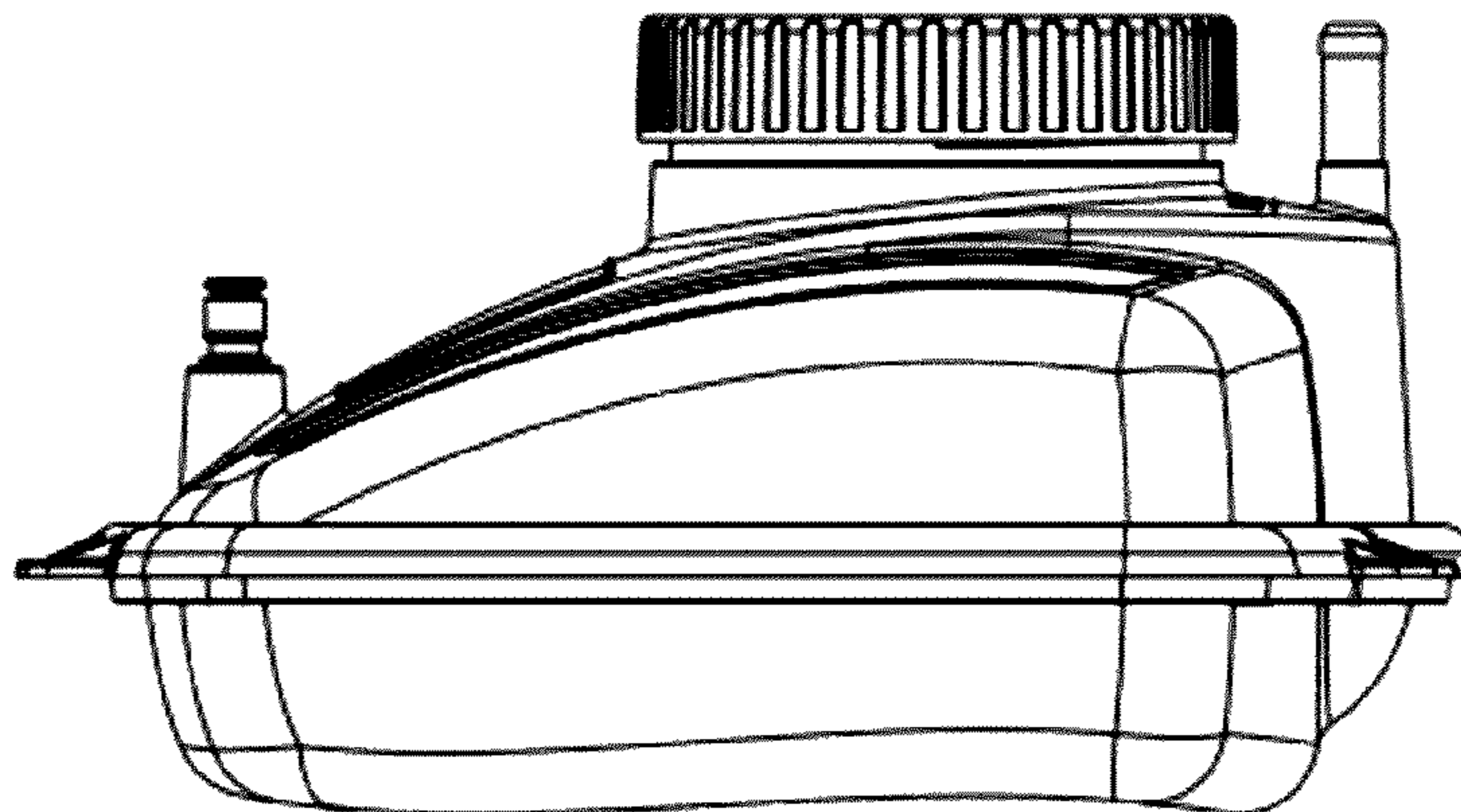
(56) **References Cited**

FIG. 1 is a top view of the spray pack container, which embodies my design;
FIG. 2 is a bottom view of the spray pack container;
FIG. 3 is a front side view of the spray pack container;
FIG. 4 is a back side view of the spray pack container; and,
FIG. 5 is a right side view of the spray pack container.

U.S. PATENT DOCUMENTS

- D240,530 S * 7/1976 Kublk D23/202
- D490,138 S * 5/2004 Fritz D23/202
- D628,672 S * 12/2010 Kendall et al. D23/202

1 Claim, 2 Drawing Sheets



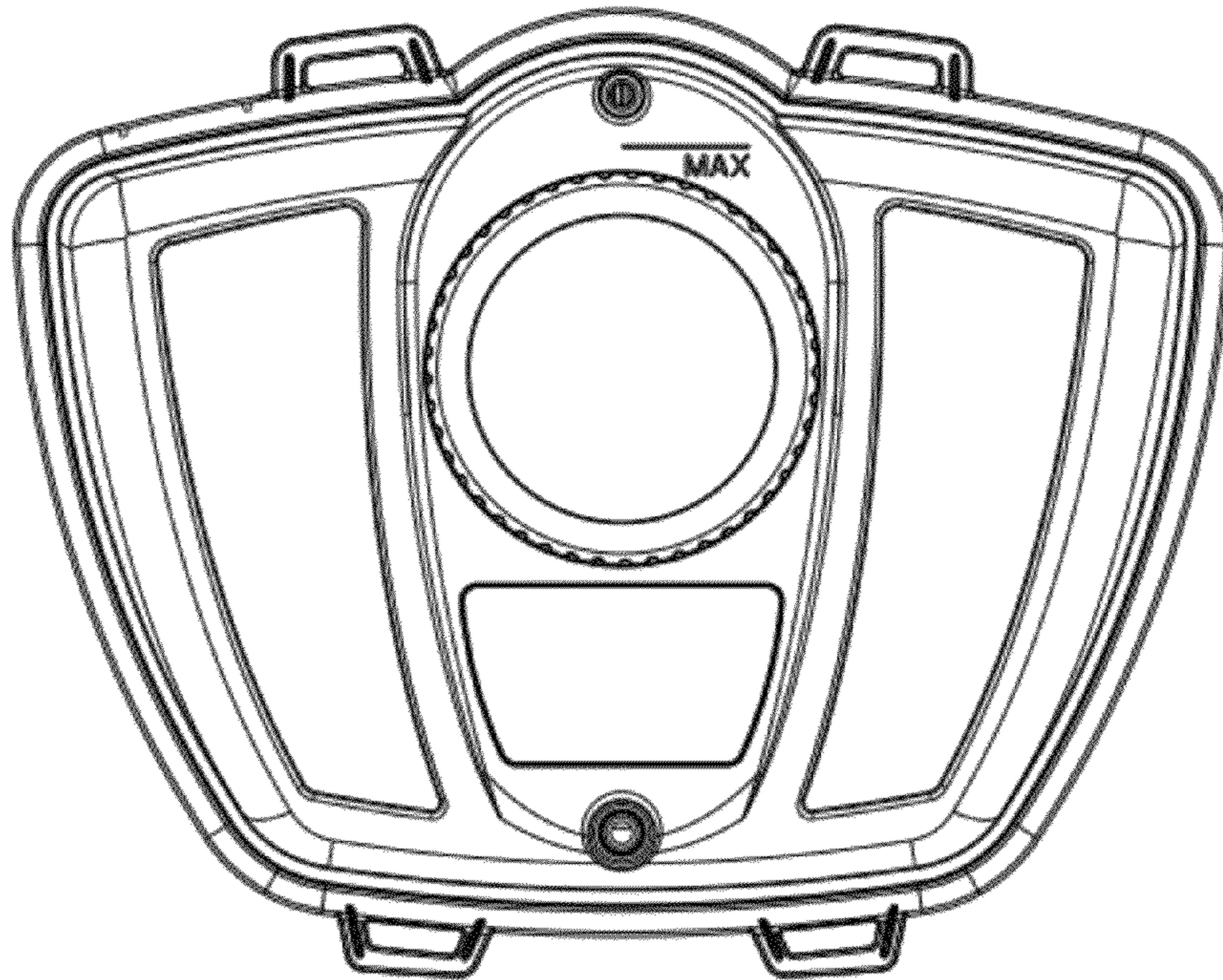


Fig. 1

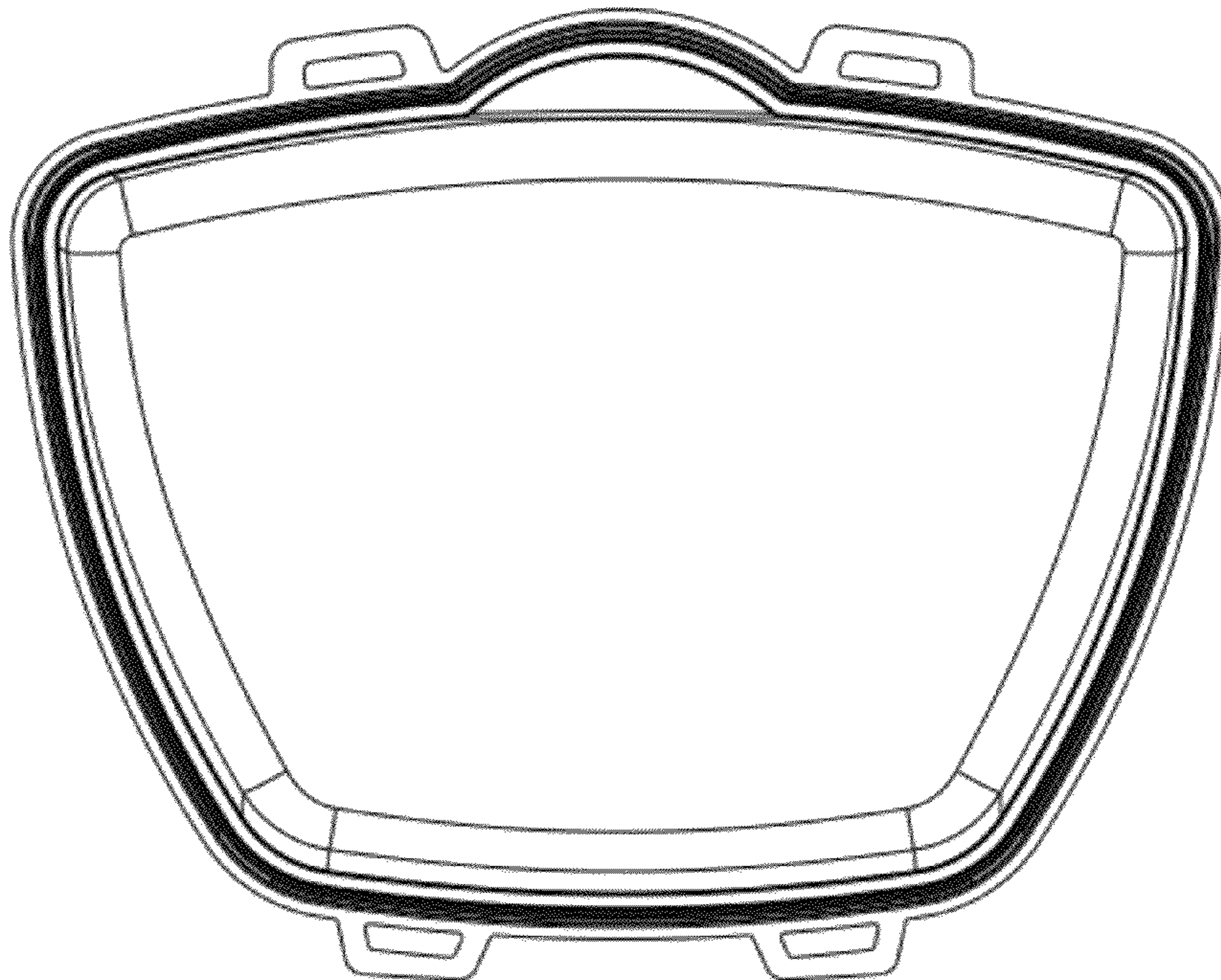


Fig. 2

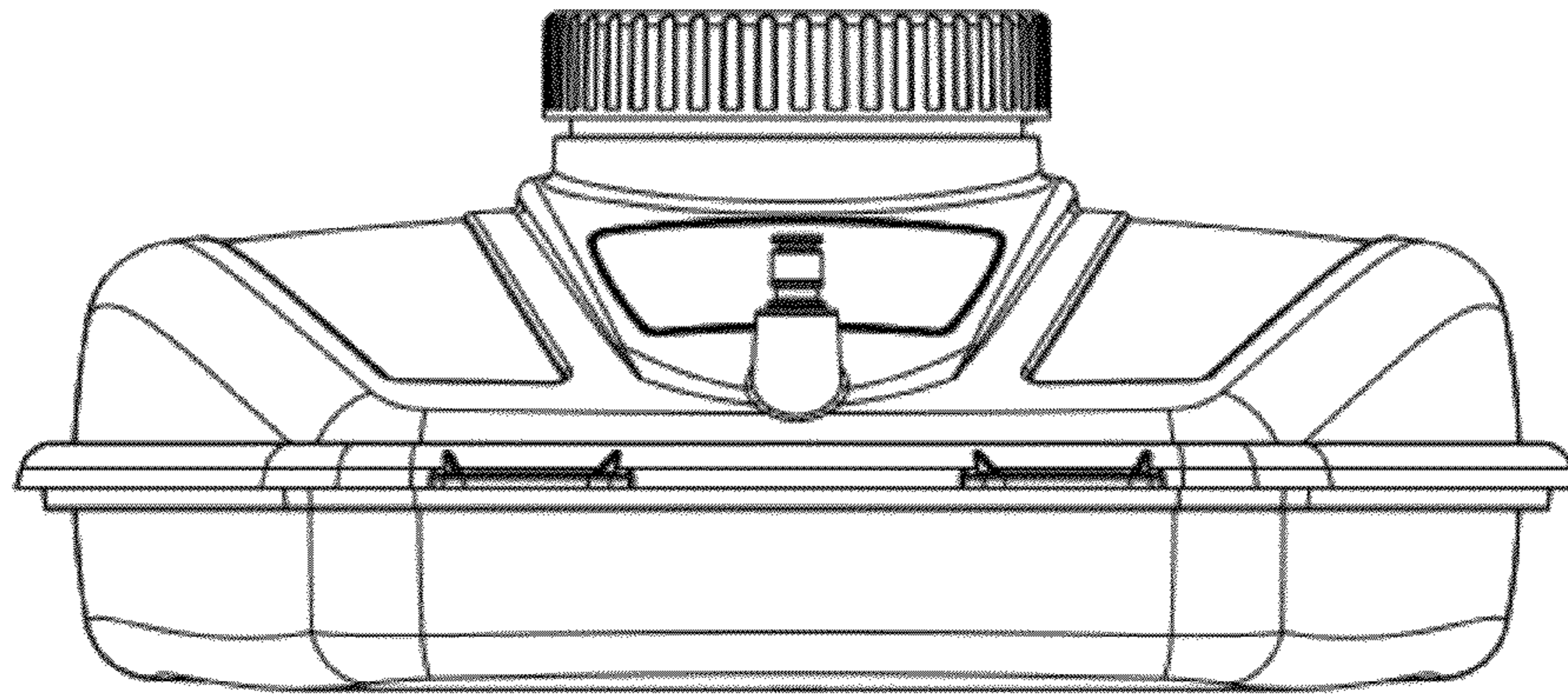


Fig. 3

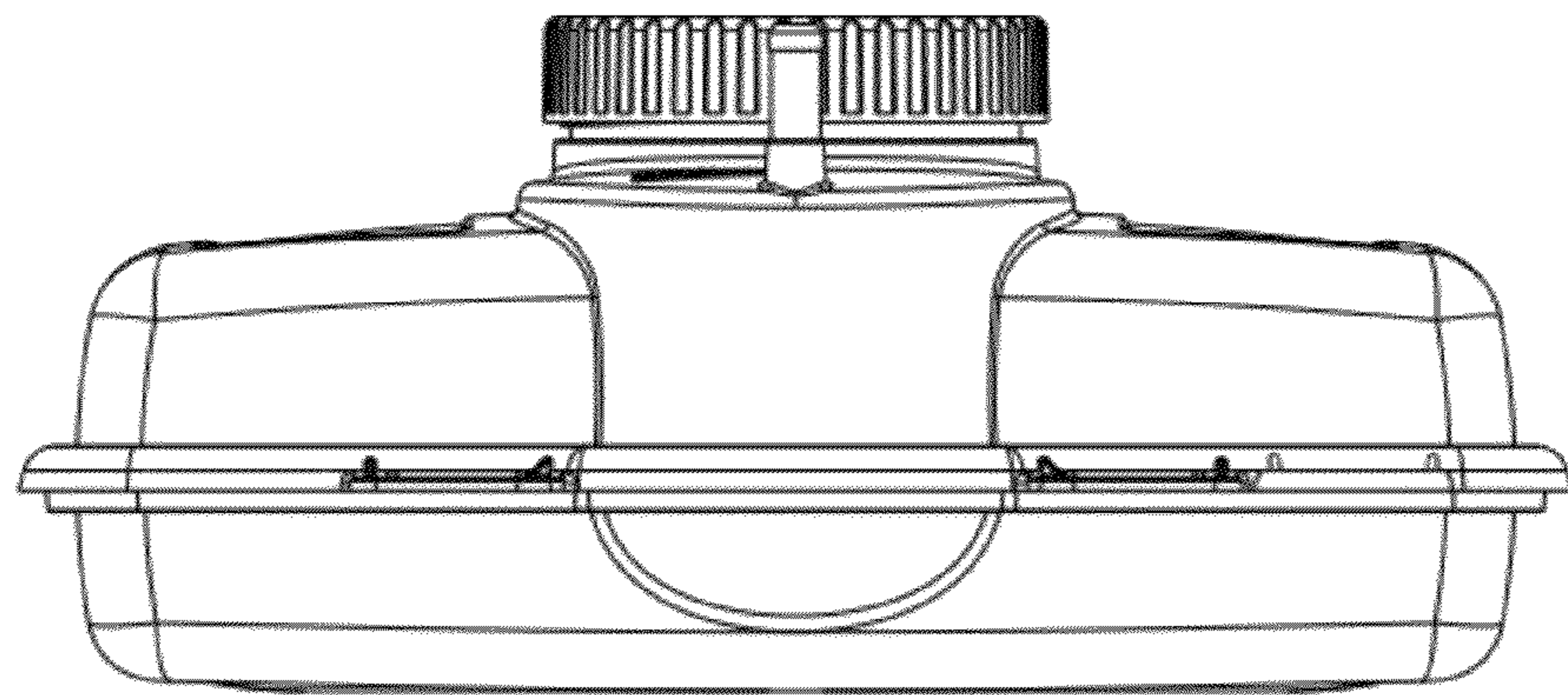


Fig. 4

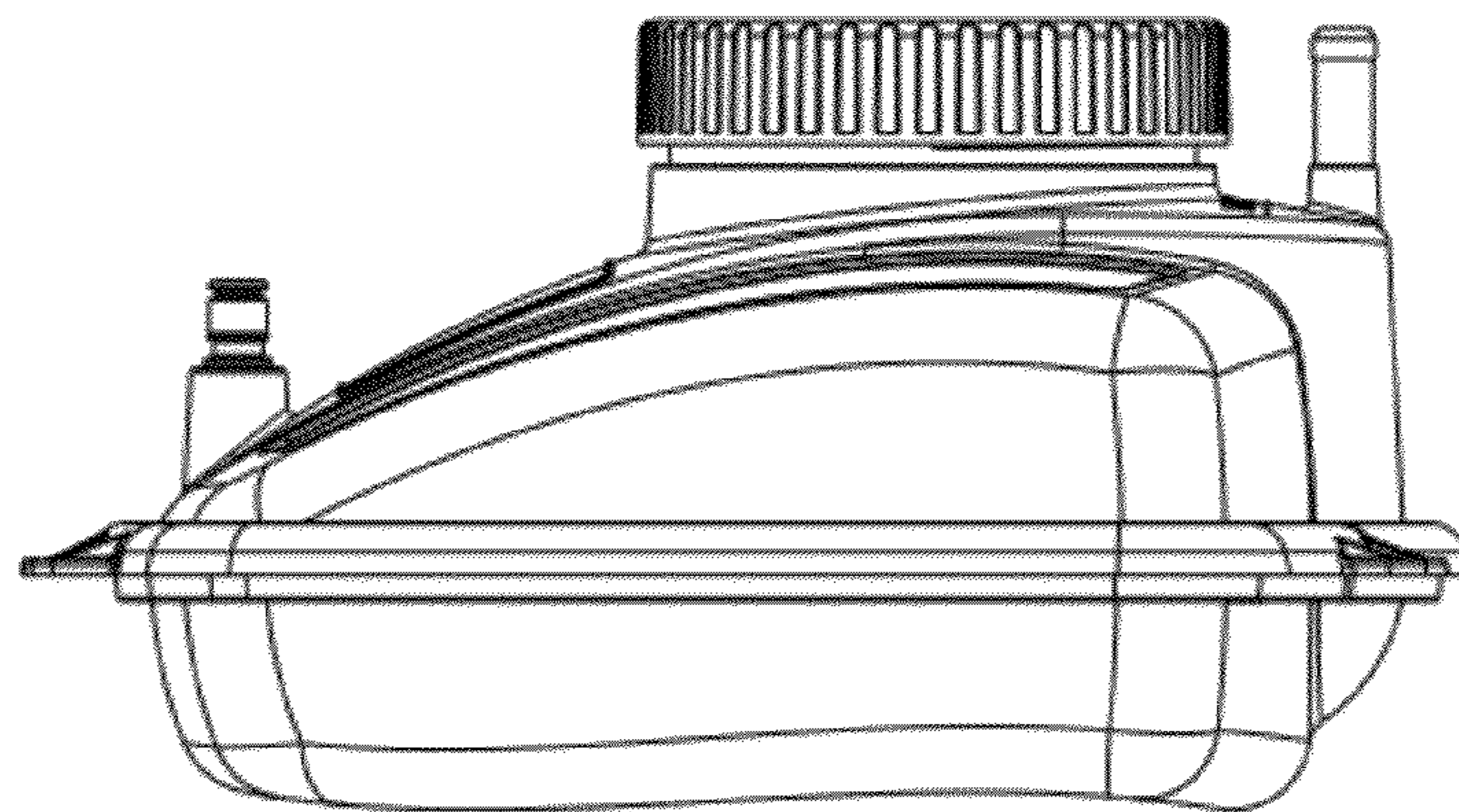


Fig. 5