



US00D672841S

(12) **United States Design Patent**
Pelton

(10) **Patent No.:** **US D672,841 S**

(45) **Date of Patent:** **** Dec. 18, 2012**

(54) **KNIFE**

(75) Inventor: **Robert Young Pelton**, Bonsall, CA (US)

(73) Assignee: **DPX Ventures Limited**, Ras Al Khaimah (AE)

(**) Term: **14 Years**

(21) Appl. No.: **29/423,477**

(22) Filed: **Jun. 1, 2012**

(51) **LOC (9) Cl.** **22-02**

(52) **U.S. Cl.** **D22/118**

(58) **Field of Classification Search** D22/118;
D8/95-99; 7/158; 30/155, 157, 160-161
See application file for complete search history.

(56) **References Cited**

U.S. PATENT DOCUMENTS

1,455,621	A	5/1923	Joyner	
D141,321	S	5/1945	Gallagher	
D169,797	S *	6/1953	Wallace D22/118
4,363,147	A	12/1982	Deweese	
4,442,559	A	4/1984	Collins	
4,553,279	A	11/1985	Gassew et al.	
4,622,707	A	11/1986	Finn	
4,817,221	A	4/1989	Ryan	
4,821,356	A	4/1989	Finn	
5,259,281	A	11/1993	Burke	
D371,820	S *	7/1996	Thompson D22/118
5,642,567	A	7/1997	Lin	
5,727,325	A	3/1998	Mussell	
6,009,581	A	1/2000	Davis et al.	
6,009,582	A	1/2000	Harrison et al.	
6,009,584	A	1/2000	Padden	
6,318,218	B1	11/2001	Anderson et al.	
6,347,875	B1	2/2002	Painsith	
6,782,576	B1	8/2004	Valencic et al.	
6,957,466	B2	10/2005	Rivera	
D527,788	S *	9/2006	Kellgren D22/118

7,337,486	B2	3/2008	Tsuda et al.
7,360,267	B2	4/2008	Quenzi
D609,992	S	2/2010	Delaney

OTHER PUBLICATIONS

Microtech Troodon Double Edge OTF Knife, Beadblast Plain Edge, 138-7, BladeOps, LLC, retrieved from <http://www.bladeops.com/Microtech-Troodon-Double-Edge-OTF-Knife-Beadblas-p> on Jul. 24, 2012, 2 pages.

CRKT Columbia River Knife and Tool's Exitool 9030 Multi Tool, retrieved from <http://www.amazon.com/Columbia-River-Knife-Exitool-9030/db/B0030IV8TG> on Jul. 24, 2012, 6 pages.

Boker Plus Credit Card Knife 2 1/4" Blade, retrieved from <http://www.knifecenter.com> on Jul. 24, 2012, 2 pages.

The Original Dog Tag Knife, Titanium Blade, Black Rubber Frame, retrieved from <http://www.knifeworks.com/theoriginaldogtagknifetitaniumblade.aspx> on Jul. 24, 2012, 4 pages.

Iain Sinclair, CardSharp 2, retrieved from <http://iainsinclair.com/products.php> on Jul. 24, 2012, 1 page.

(Continued)

Primary Examiner — Catheri Oliver-Garcia

(74) *Attorney, Agent, or Firm* — ARC IP Law, PC; Joseph J. Mayo

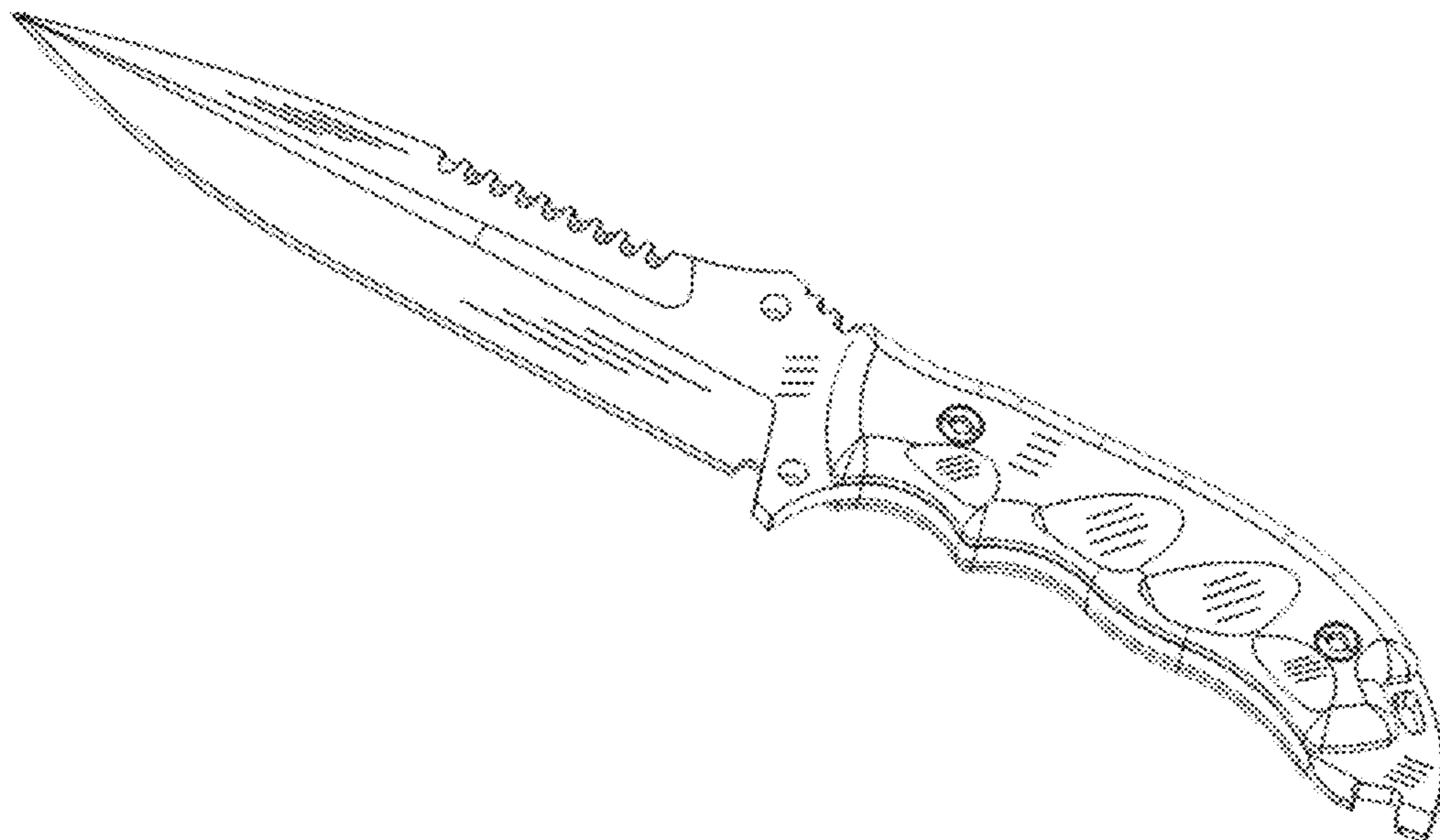
(57) **CLAIM**

The ornamental design for a knife, as shown and described.

DESCRIPTION

FIG. 1 is a lower left perspective view of a knife.
FIG. 2 is a right upper perspective view of the knife.
FIG. 3 is a right side view of the knife.
FIG. 4 is a left side view of the knife.
FIG. 5 is a top view of the knife.
FIG. 6 is a bottom view of the knife.
FIG. 7 is a front view of the knife; and,
FIG. 8 is a rear view of the knife. CLAIM

1 Claim, 4 Drawing Sheets



OTHER PUBLICATIONS

SE MT908 11 Function Credit Card Size Survival Pocket Tool, retrieved from <http://www.amazon.com/SE-MT908-Function-Credit-Survival/dp/B000Q06LI4> on Jul. 24, 2012, 6 pages.

ICE Companion with Lens/Compass—Translucent, retrieved from <http://www.sogshopping.com/tools/icc1-12.html?SID=pp1bedicbg7qm82okgt77lacd6> on Jul. 24, 2012, 1 page.

Survival Card w/ Fire Starter/Compass—Charcoal, retrieved from

<http://www.toollogic.com/tools/svc1-38.html> on Jul. 24, 2012, 1 page.

“Microtech Troodon Double Edge OTF Knife, Beadblast Plain Edge, 138-7” BladeOps, LLC, 2 pages.

CRKT “ExiTool—Designed by Russ Kommer”, Columbia River Knife & Tool Inc., 3 pages.

* cited by examiner

FIGURE 1

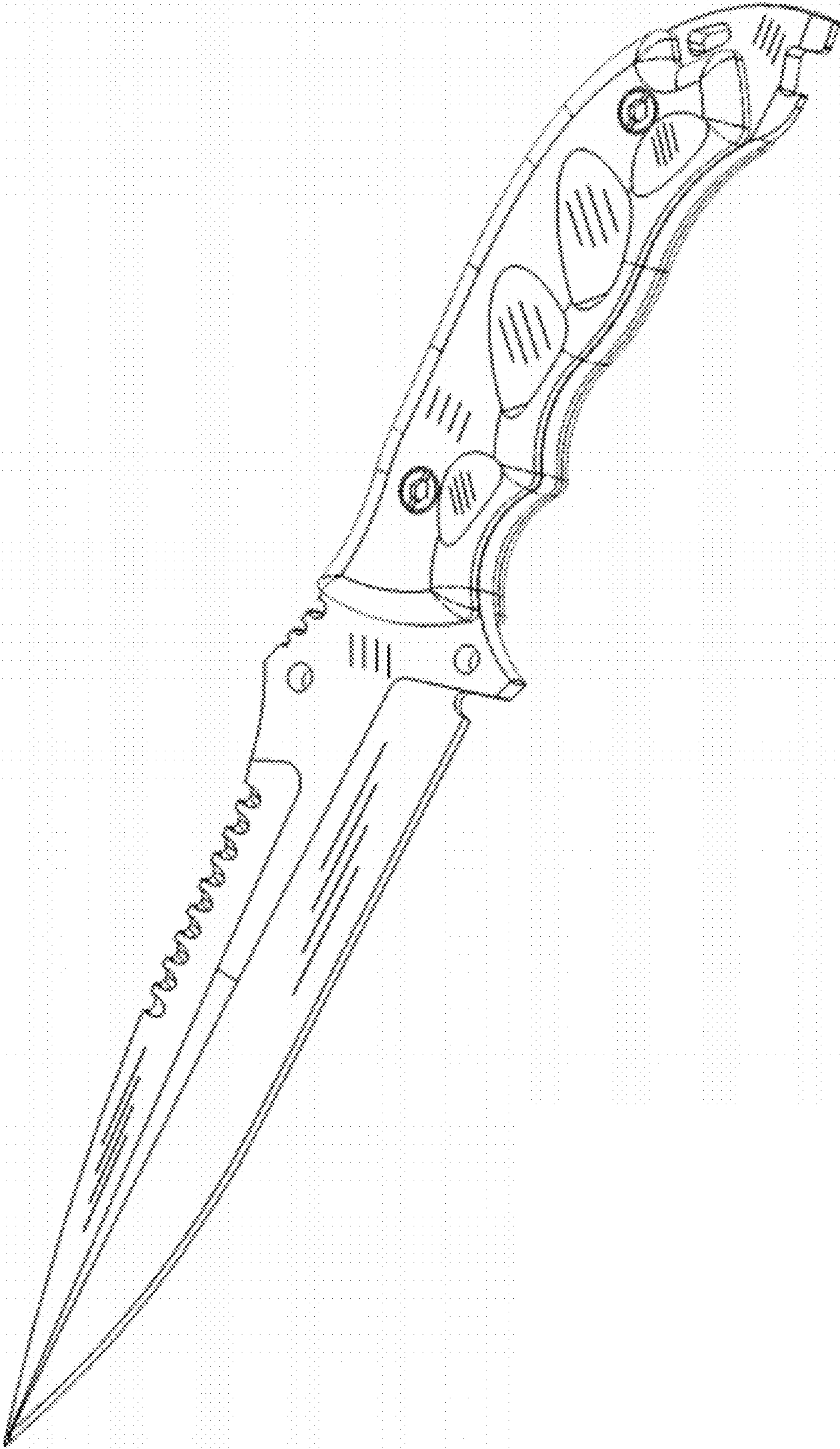


FIGURE 2

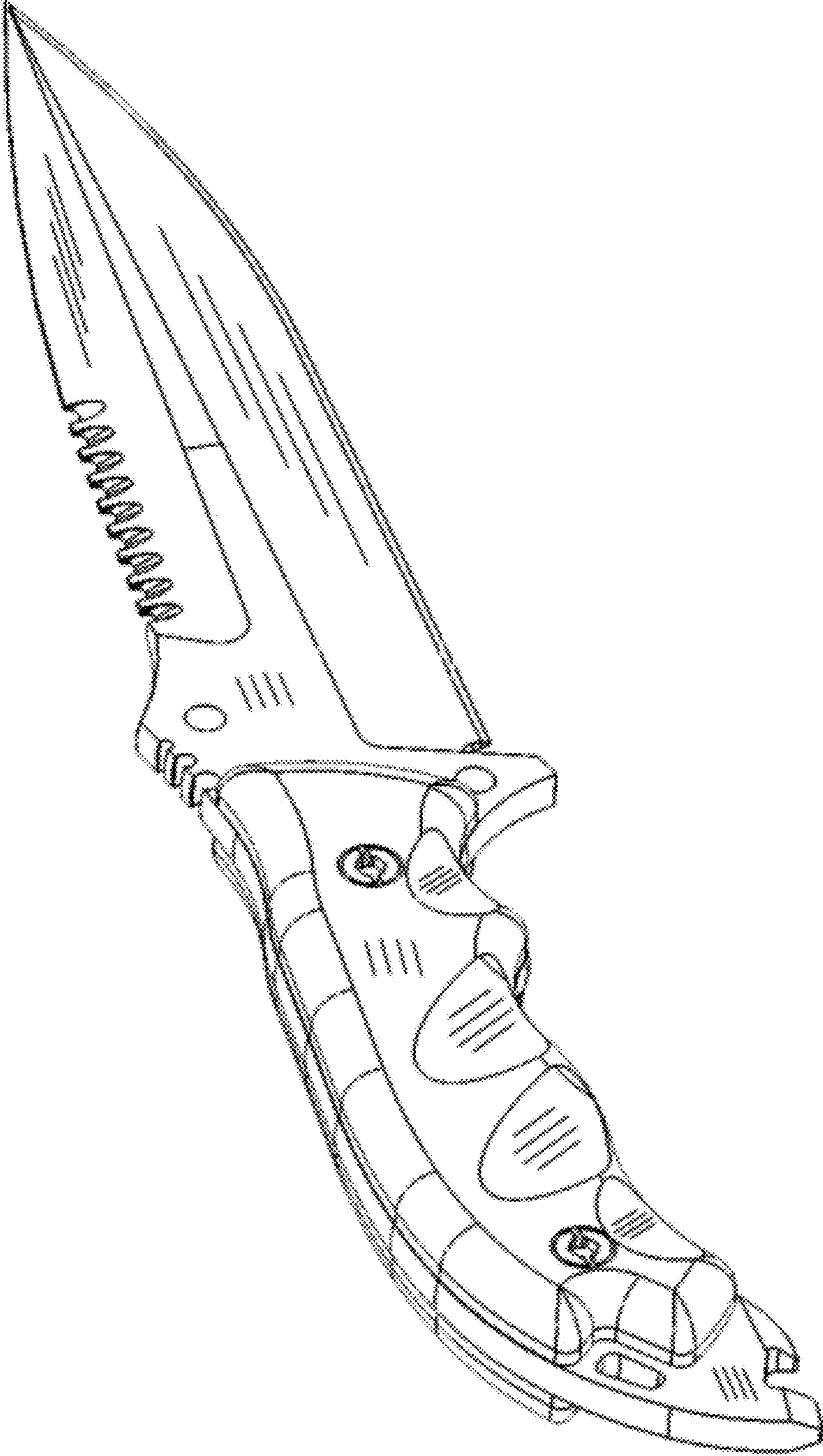


FIGURE 3

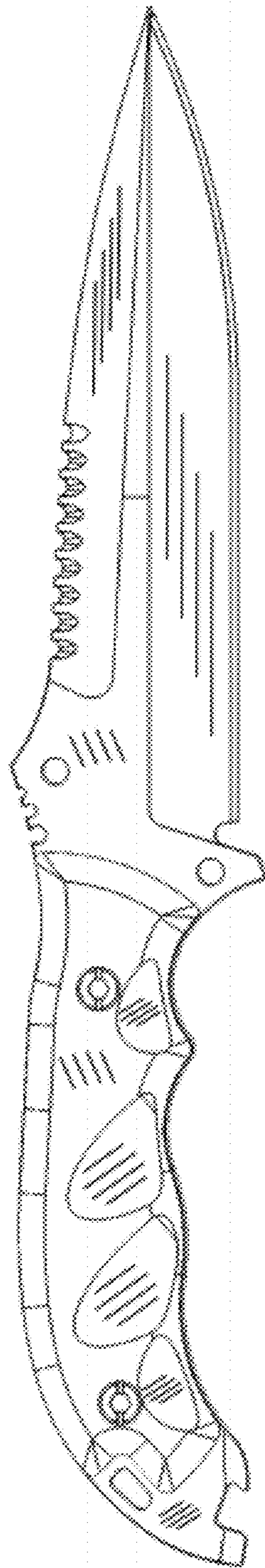


FIGURE 4

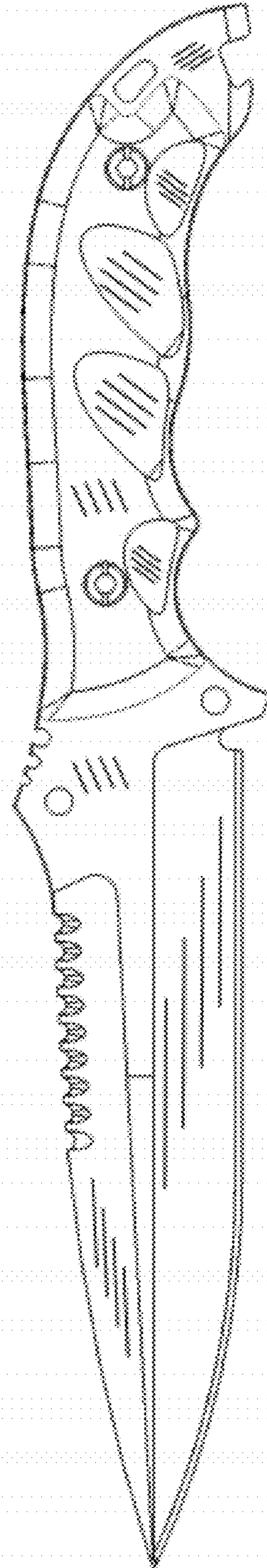


FIGURE 5

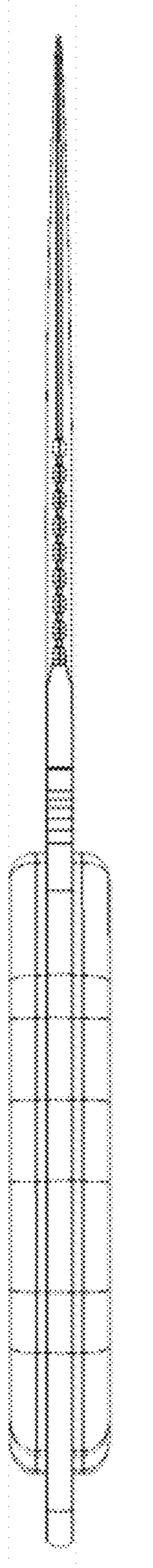


FIGURE 6

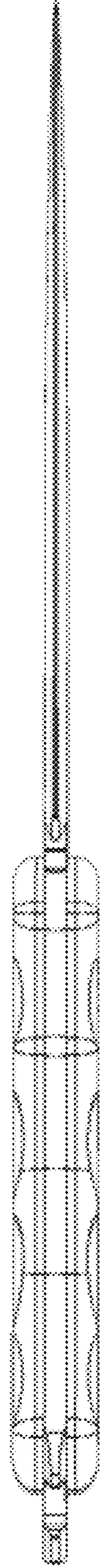


FIGURE 8

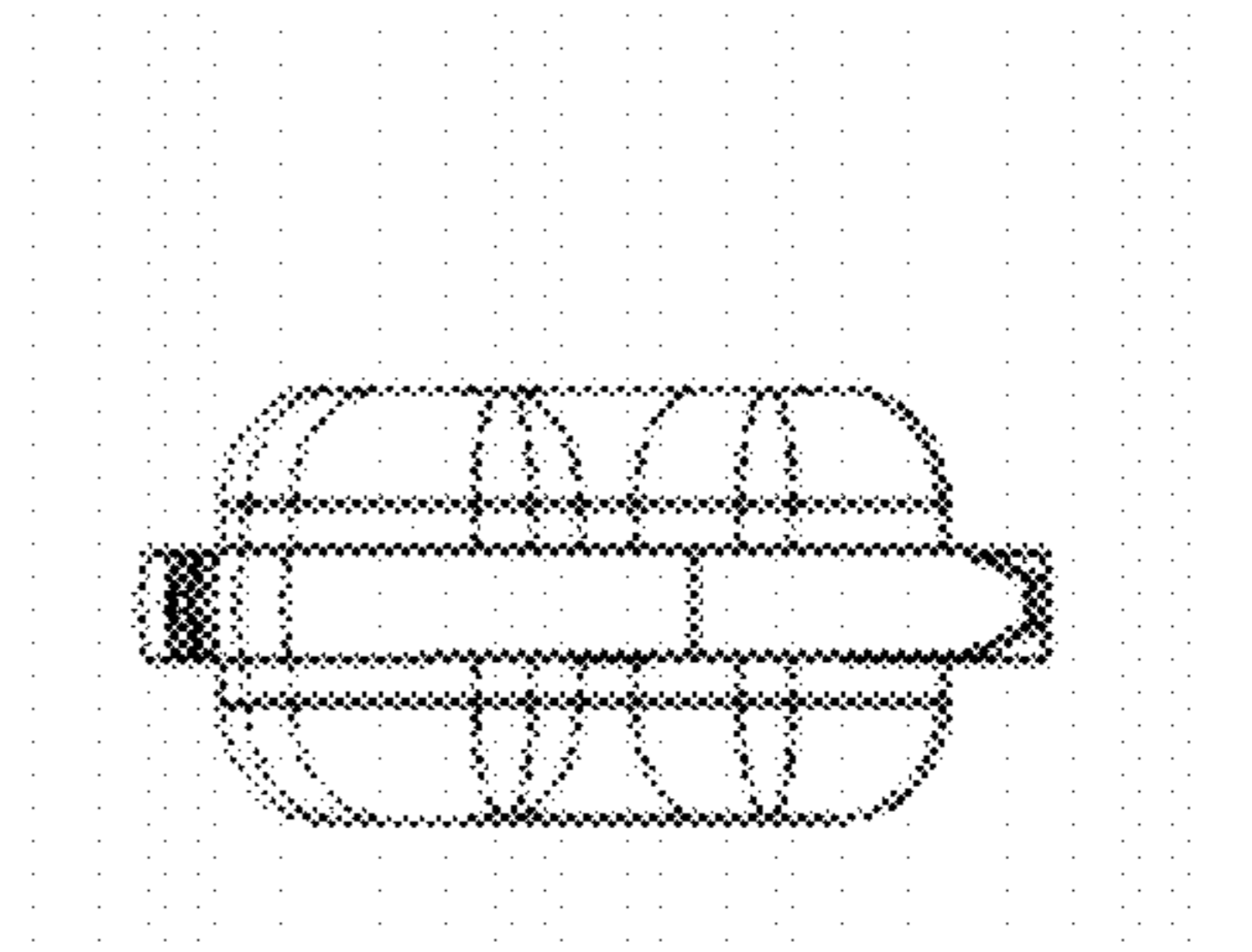


FIGURE 7

