



US00D672840S

(12) **United States Design Patent**
Neufeld

(10) **Patent No.:** **US D672,840 S**

(45) **Date of Patent:** **** Dec. 18, 2012**

(54) **REMOVABLE HANDGUN SIGHT MOUNT**

(76) **Inventor:** **Thomas Neufeld, Portland, OR (US)**

(**) **Term:** **14 Years**

(21) **Appl. No.:** **29/402,025**

(22) **Filed:** **Sep. 19, 2011**

(51) **LOC (9) Cl.** **22-01**

(52) **U.S. Cl.** **D22/109; D22/108**

(58) **Field of Classification Search** **D22/108-109;**
42/111-105; D26/38-39; 359/409-411;
33/227, 229; 89/200-204; D16/130-136

See application file for complete search history.

(56) **References Cited**

U.S. PATENT DOCUMENTS

4,291,478	A *	9/1981	Lough	42/117
4,367,606	A *	1/1983	Bechtel	42/127
4,418,487	A *	12/1983	Strahan	42/125
D410,061	S *	5/1999	Emerson	D22/110
D435,885	S *	1/2001	Wallace	D22/110
7,069,685	B2 *	7/2006	Houde-Walter	42/132

* cited by examiner

Primary Examiner — Michael A Pratt

(74) *Attorney, Agent, or Firm* — Stolowitz Ford Cowger
LLP

(57) **CLAIM**

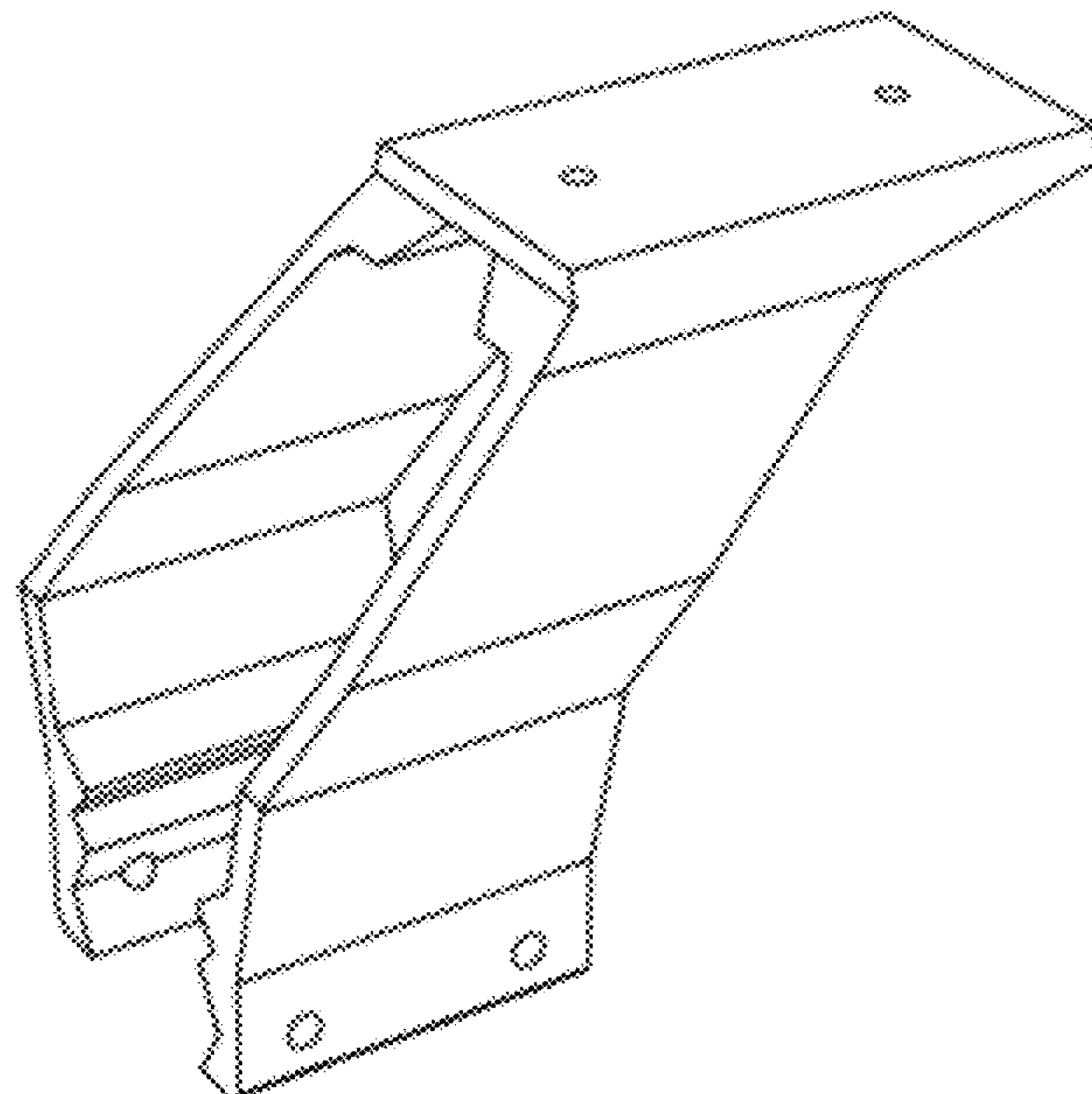
The ornamental design for a removable handgun sight mount, as shown and described.

DESCRIPTION

FIG. 1 is a perspective view of a sight mount;
 FIG. 2 is a top view of the sight mount;
 FIG. 3 is a bottom view of the sight mount;
 FIG. 4 is a right side view of the sight mount;
 FIG. 5 is a left side view of the sight mount;
 FIG. 6 is a front view of the sight mount;
 FIG. 7 is a rear view of the sight mount;
 FIG. 8 is a perspective view of a sight rail;
 FIG. 9 is a top view of the sight rail;
 FIG. 10 is a bottom view of the sight rail;
 FIG. 11 is a left side view of the sight rail, the left side view of the sight rail being a mirror image of the right side view of the sight rail;
 FIG. 12 is a front view of the sight rail, the front view of the sight rail being a mirror image of the rear view of the sight rail;
 FIG. 13 is a perspective view of a locking block;
 FIG. 14 is a top view of the locking block;
 FIG. 15 is a bottom view of the locking block;
 FIG. 16 is a right side view of the locking block;
 FIG. 17 is a left side view of the locking block;
 FIG. 18 is a front view of the locking block;
 FIG. 19 is a rear view of the locking block; and,
 FIG. 20 is an exploded view of a removable handgun sight mount.

The broken line showing of a handgun in FIG. 20 is included for the purpose of illustrating environment and forms no part of the claimed design.

1 Claim, 4 Drawing Sheets



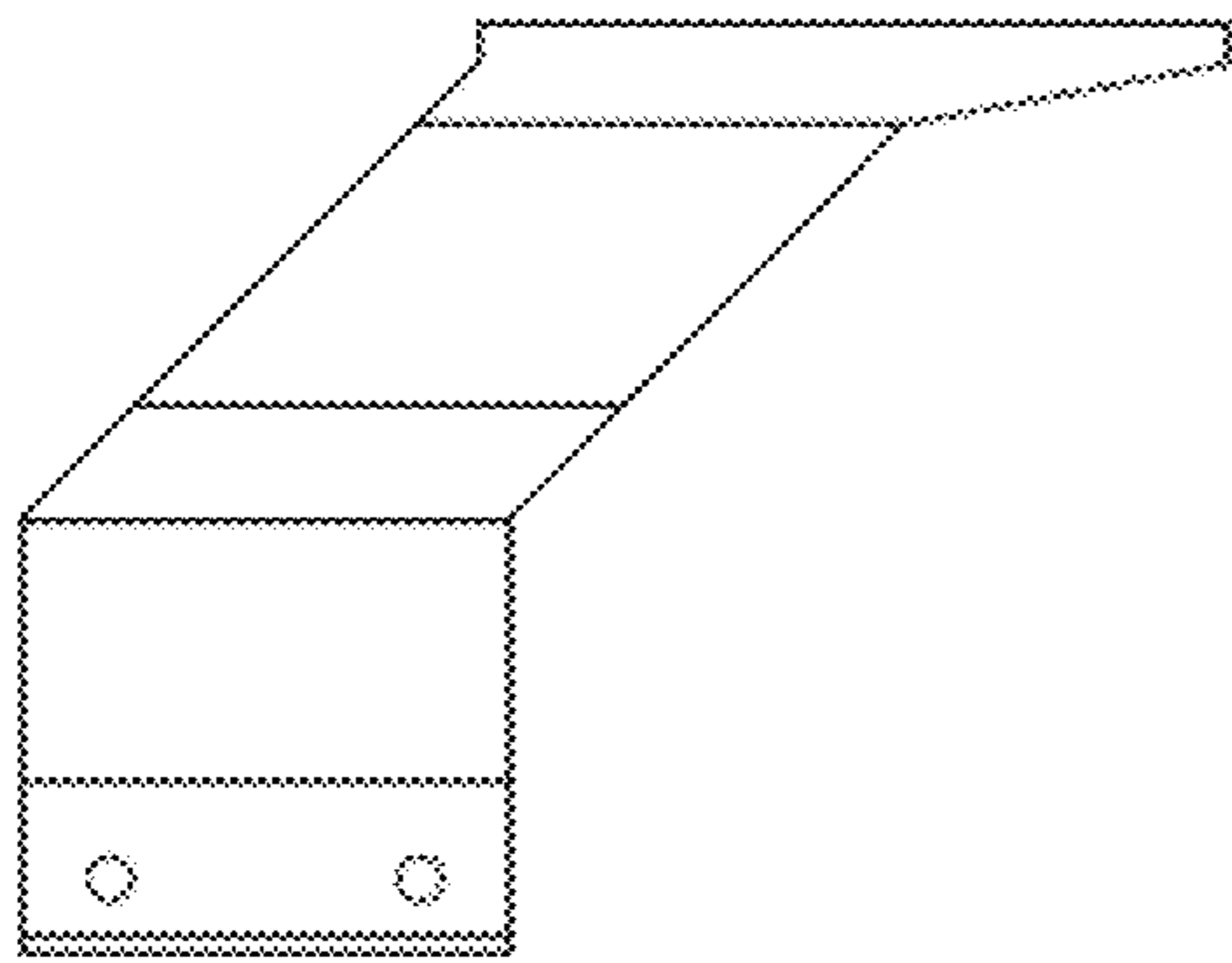


Figure 4

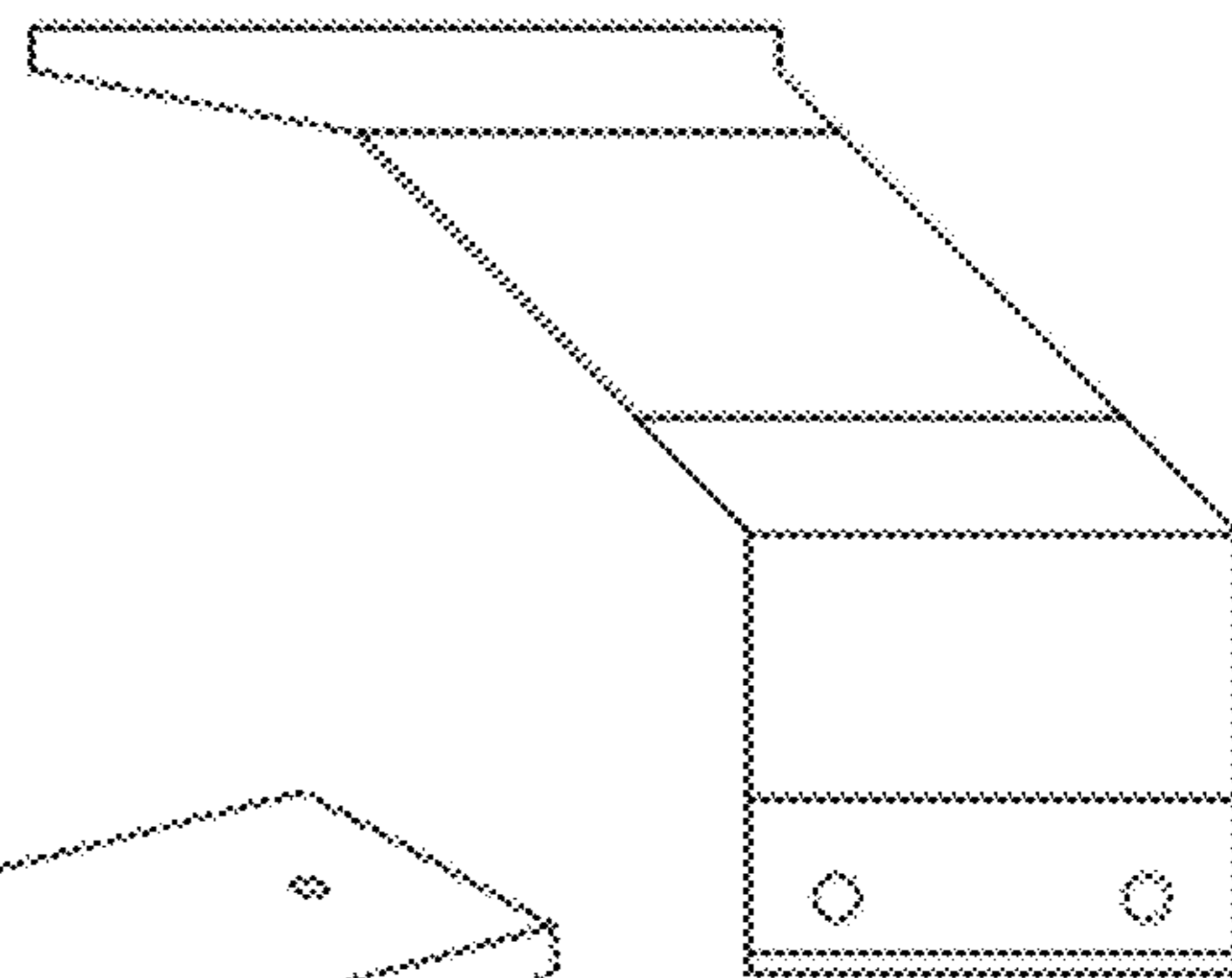


Figure 5

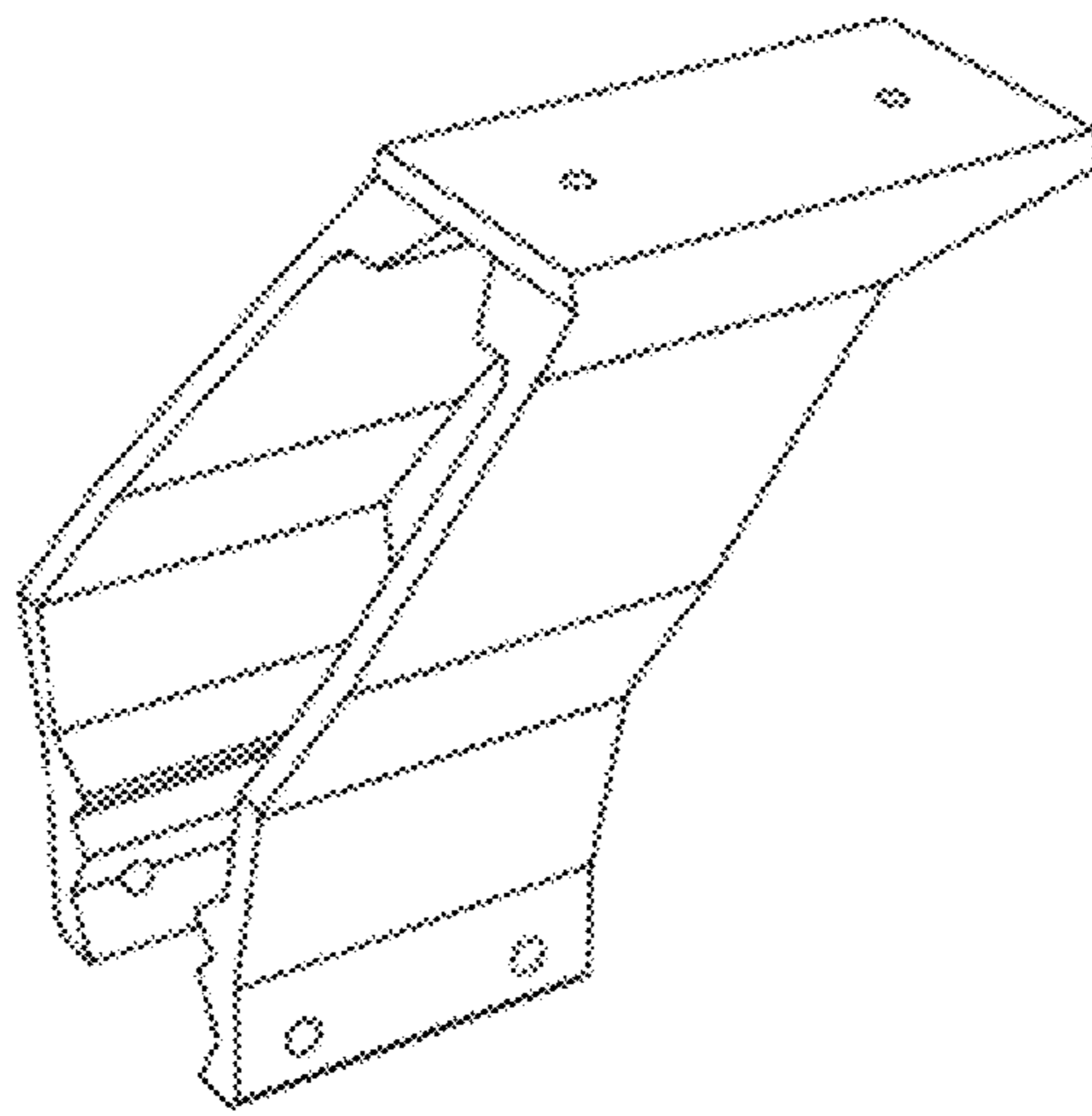


Figure 1

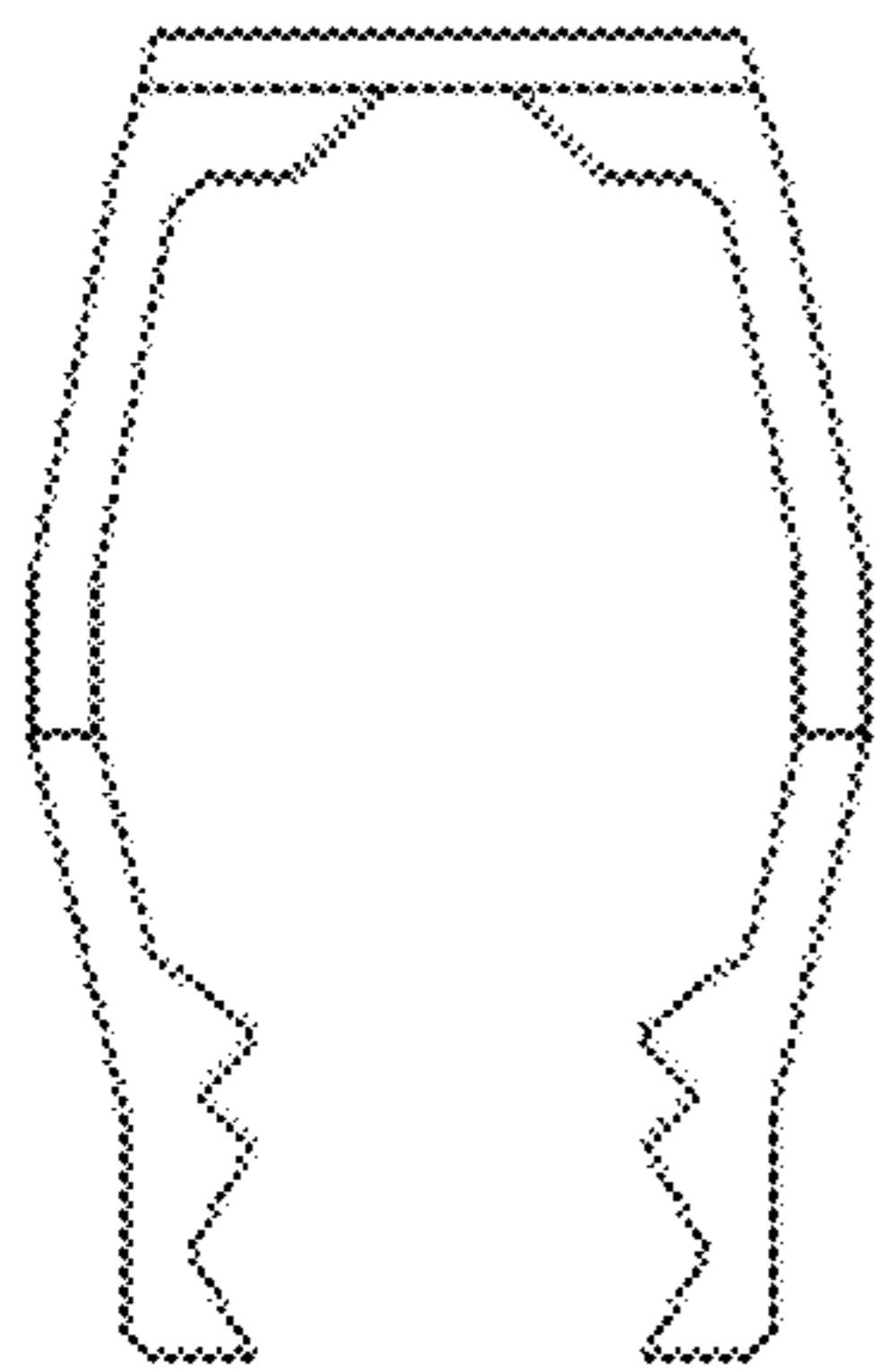


Figure 6

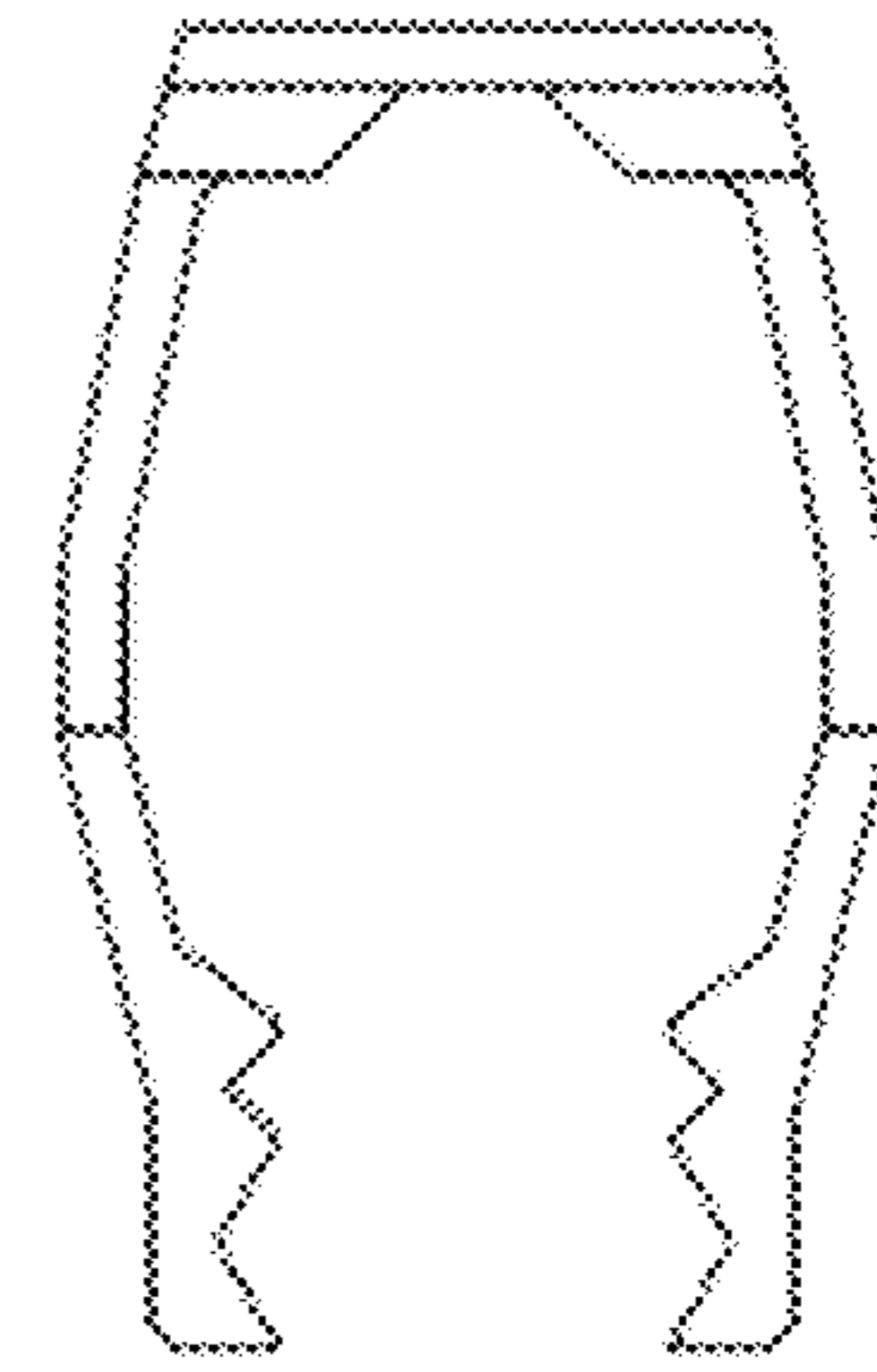


Figure 7

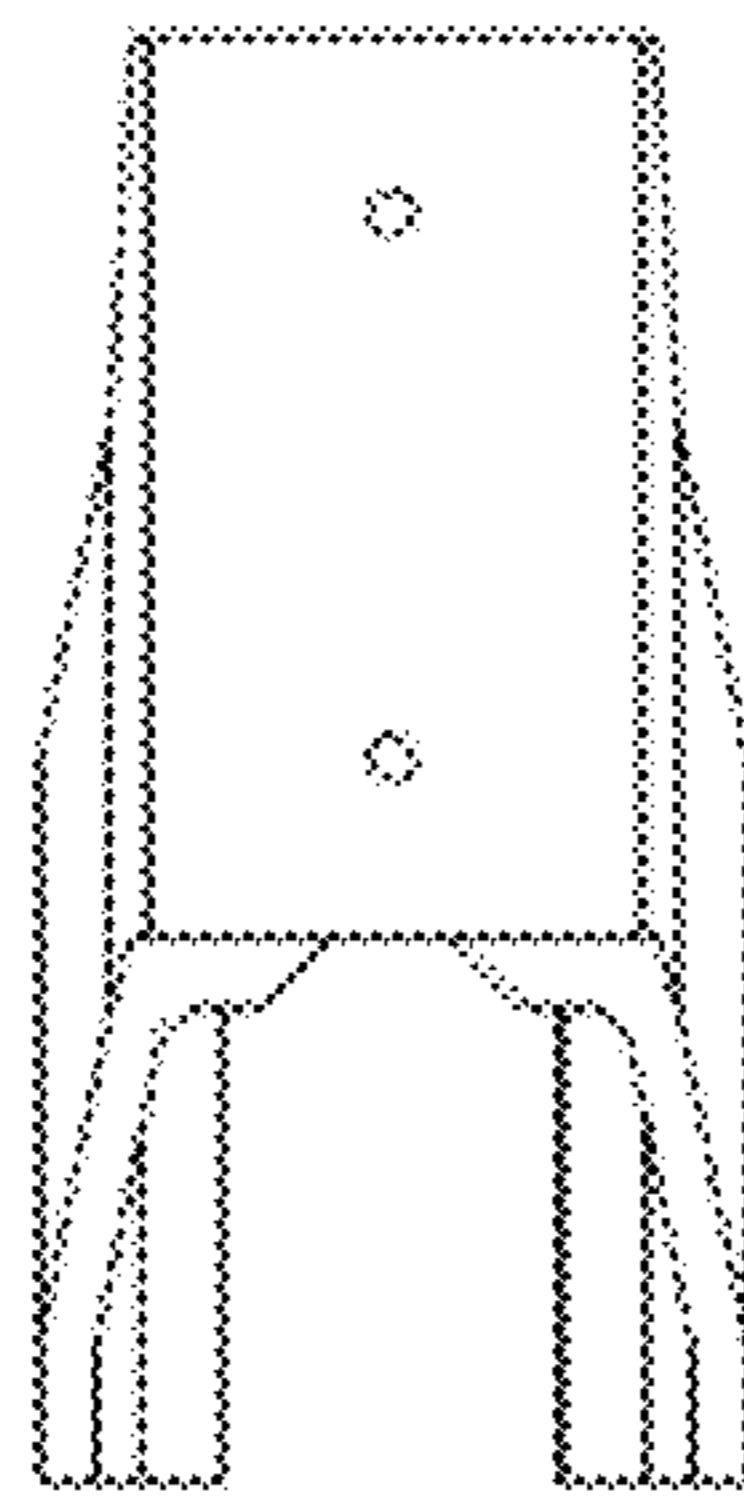


Figure 2

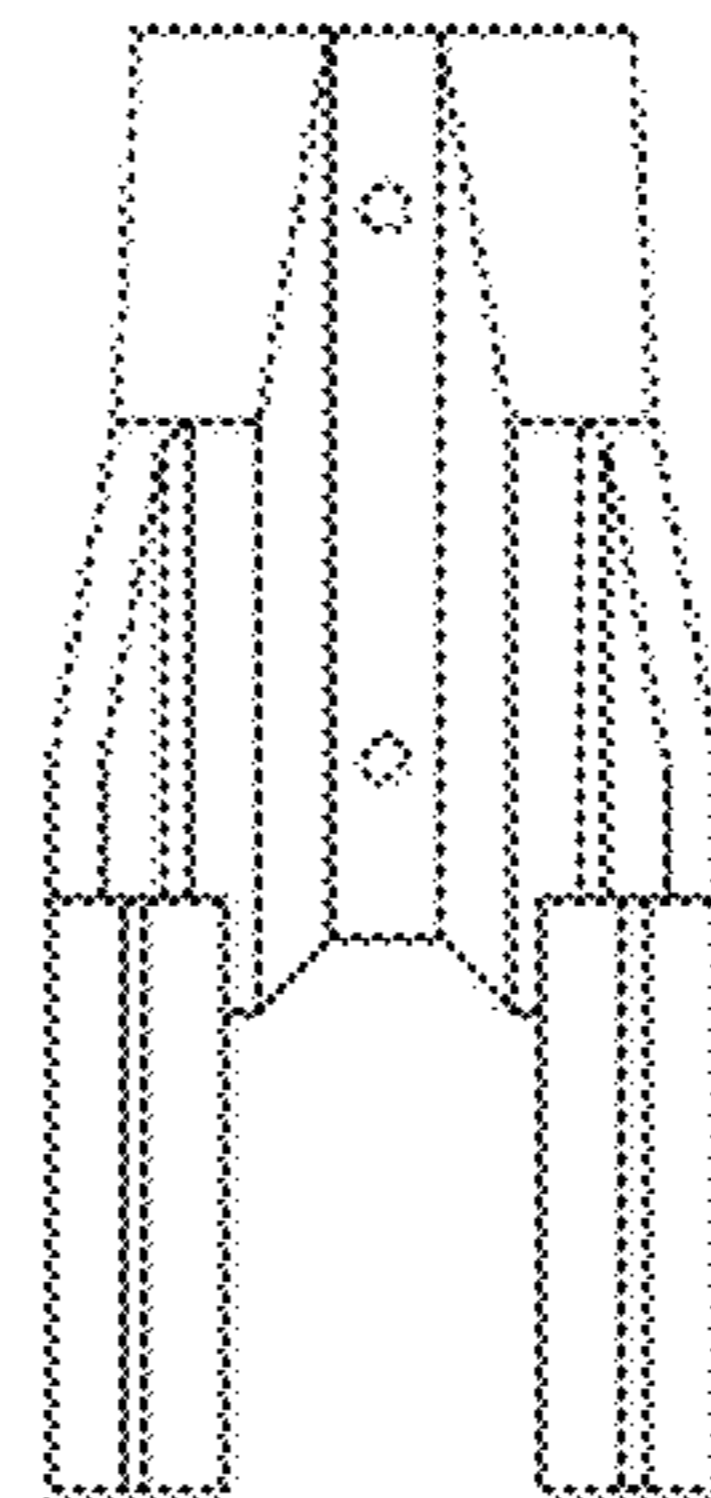


Figure 3

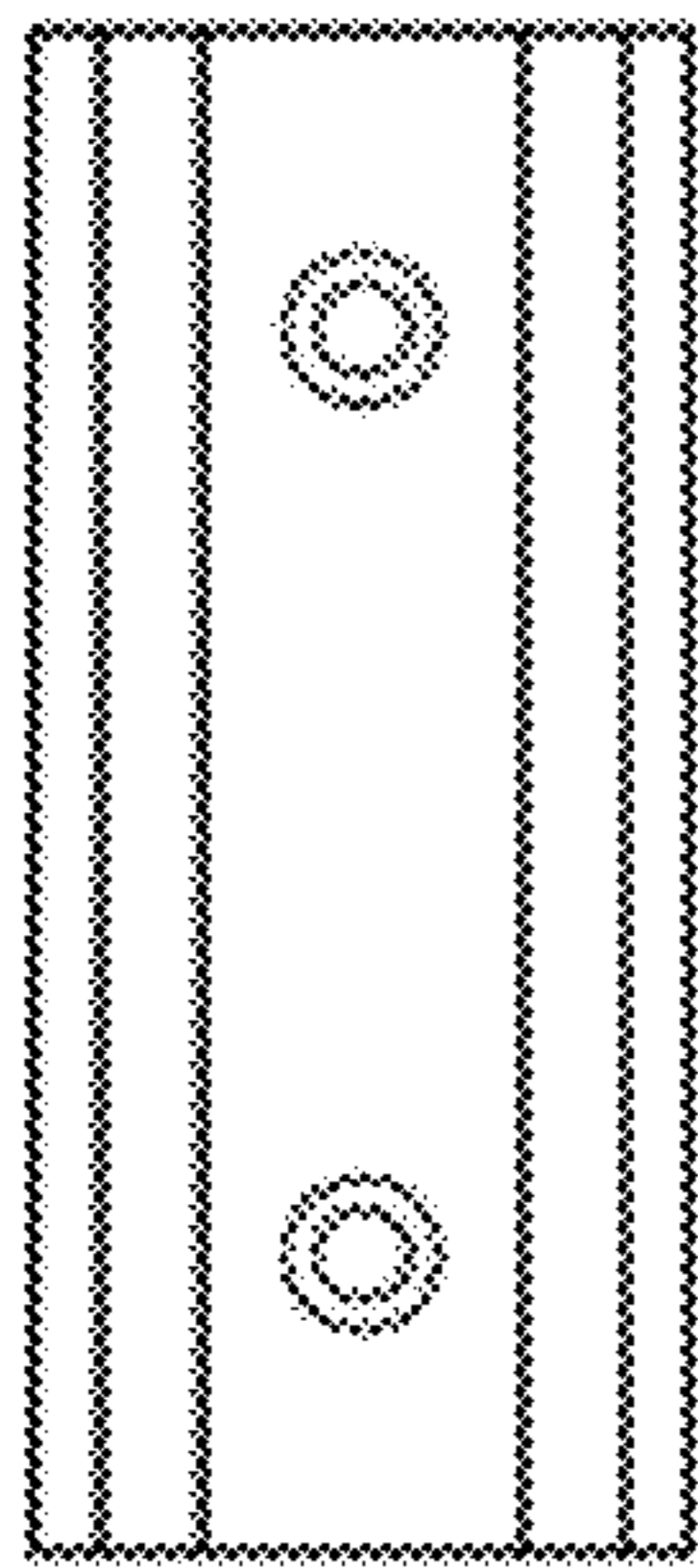


Figure 9

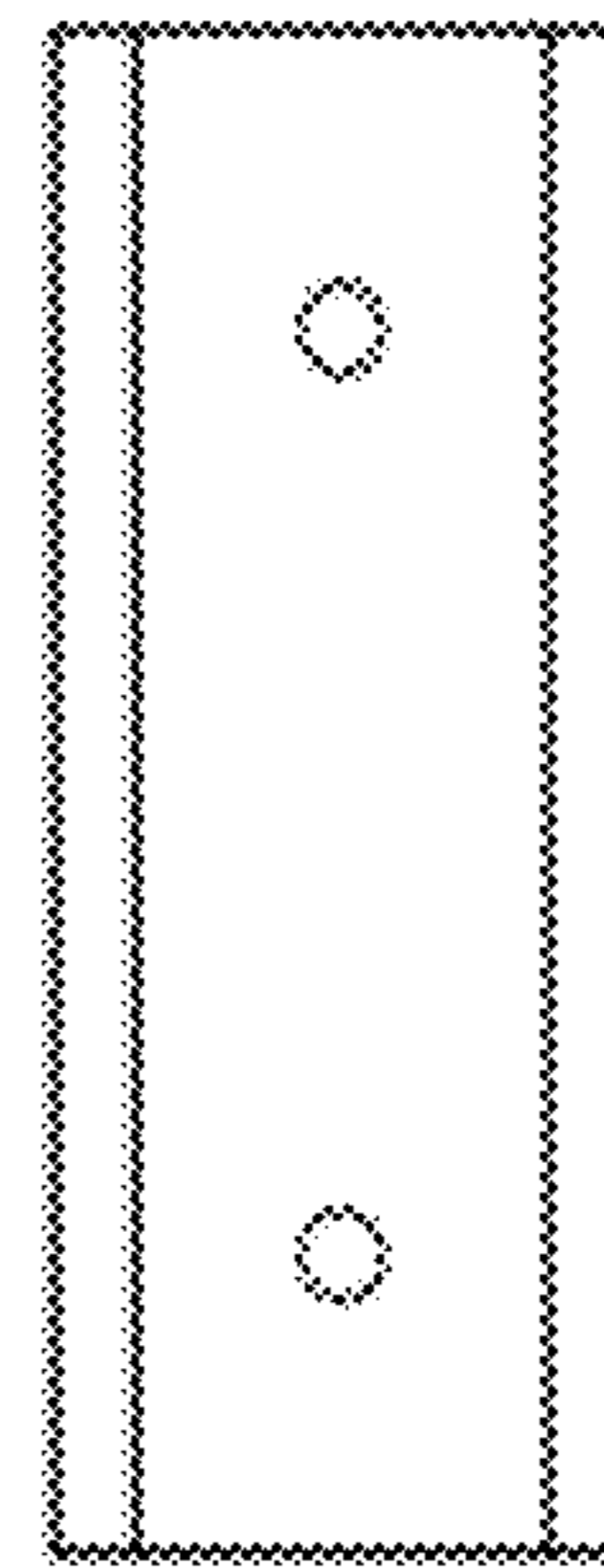


Figure 10

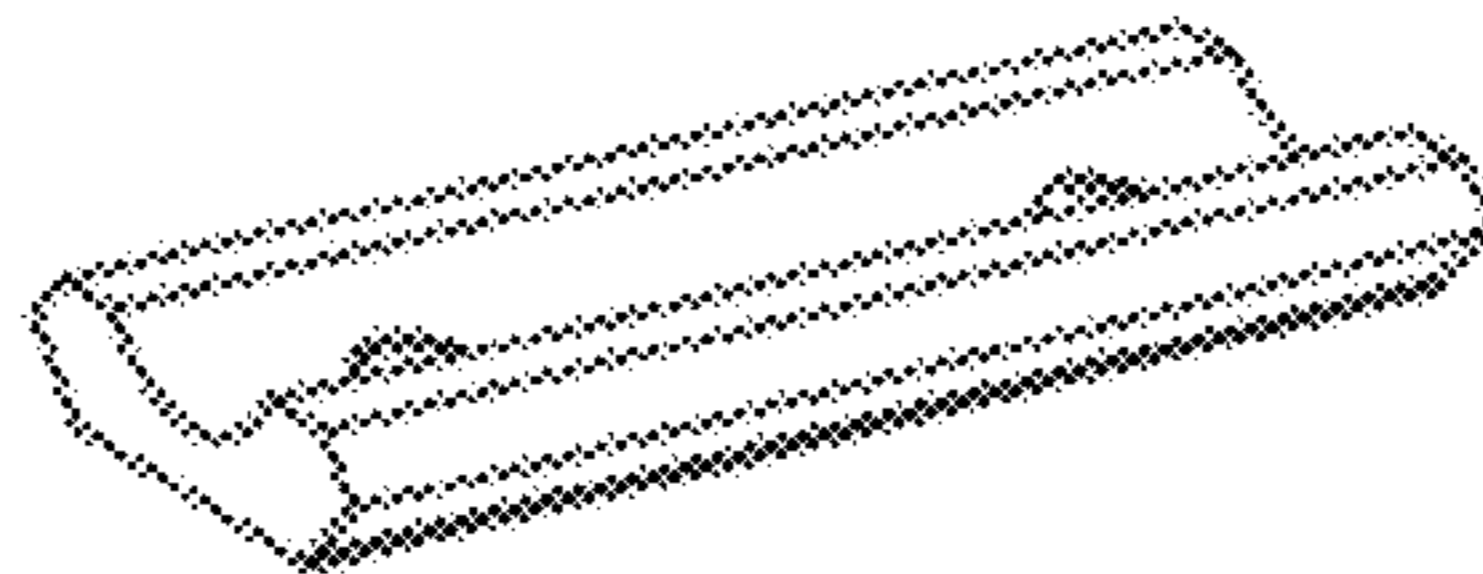


Figure 8



Figure 11



Figure 12

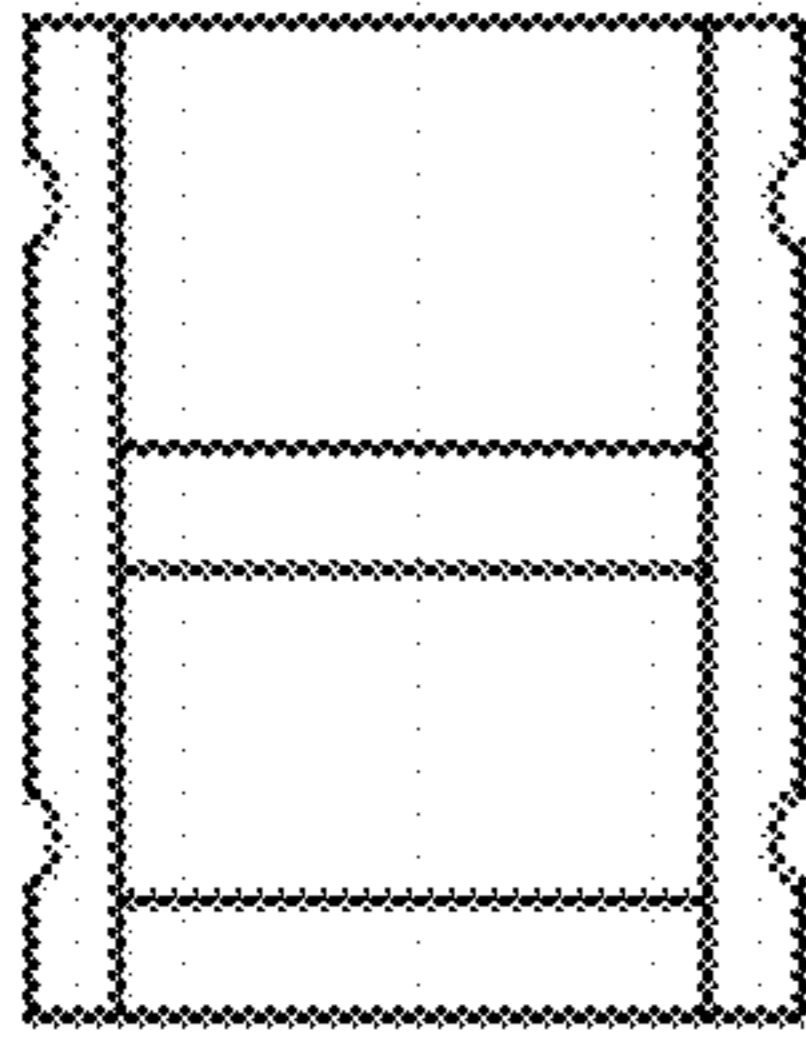


Figure 14

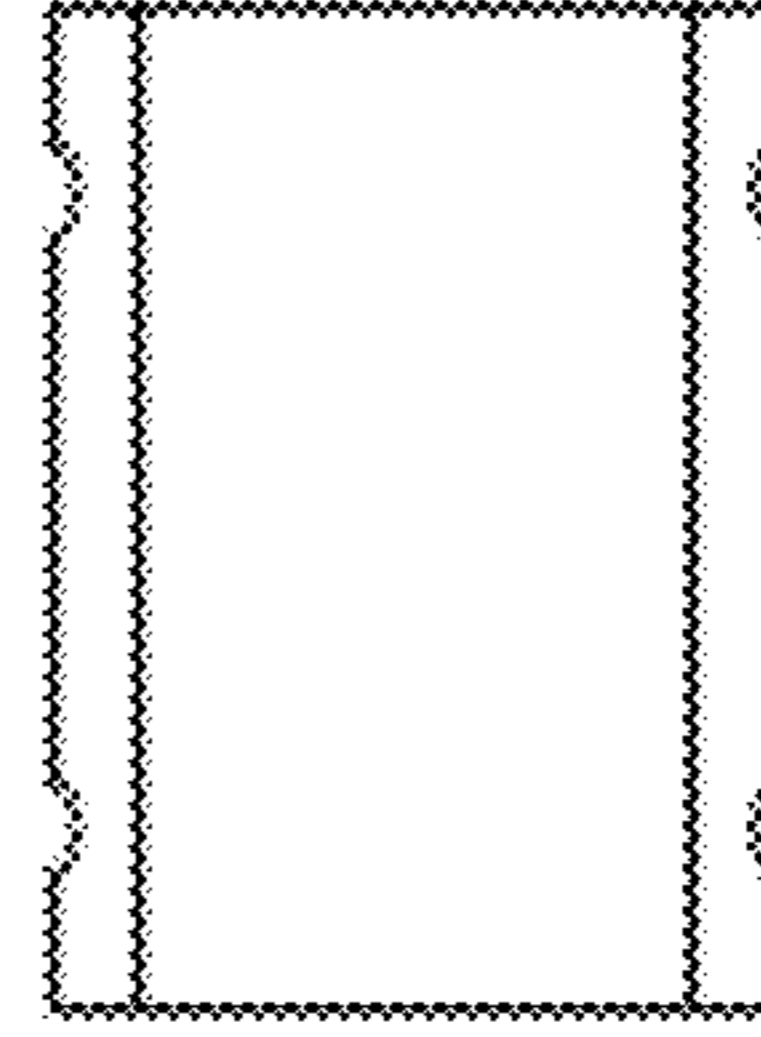


Figure 15

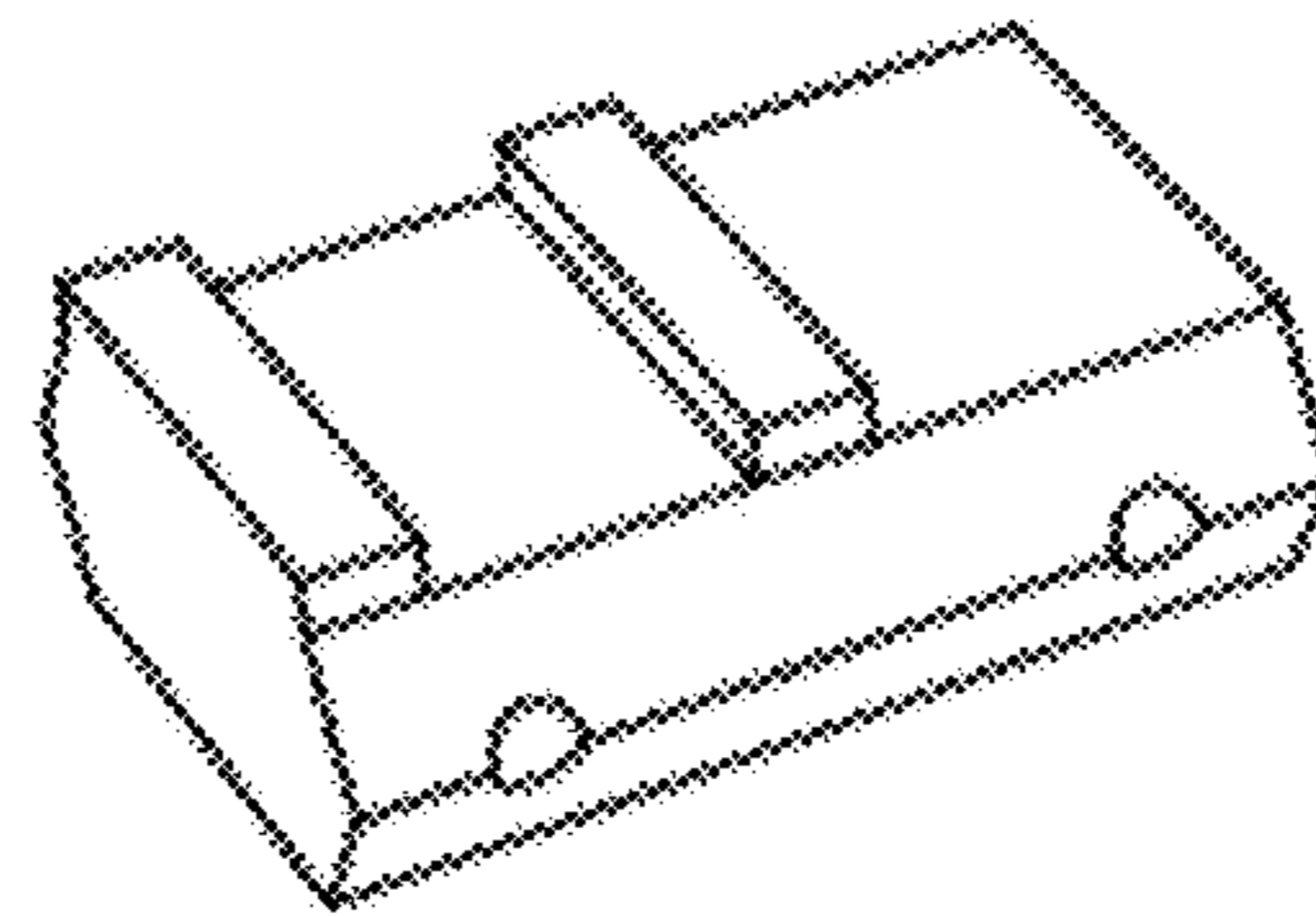


Figure 13

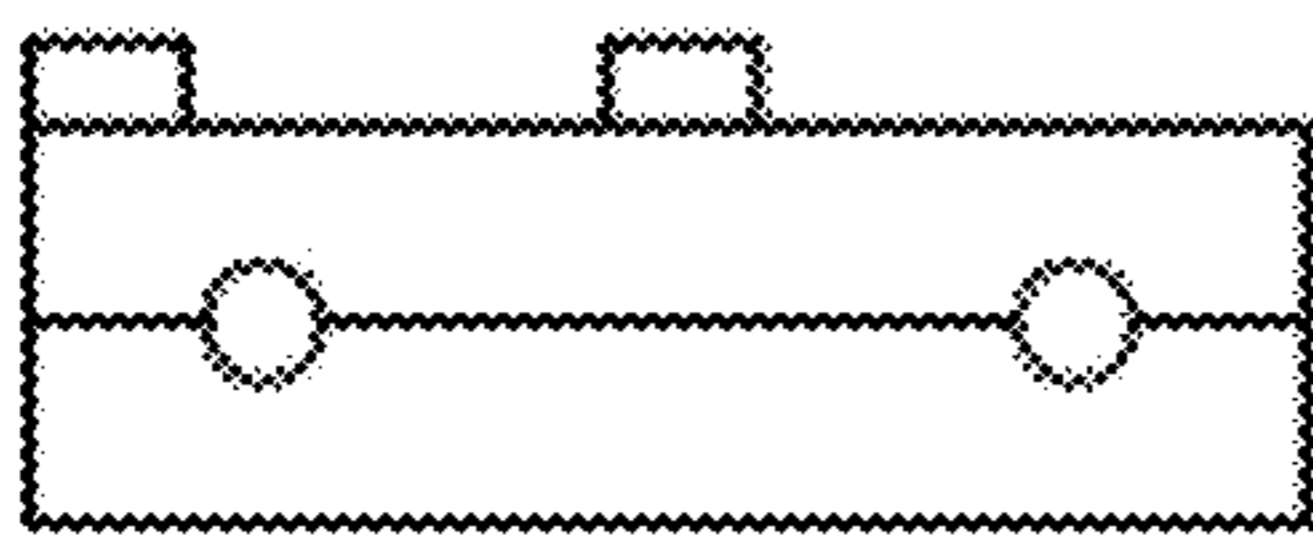


Figure 16

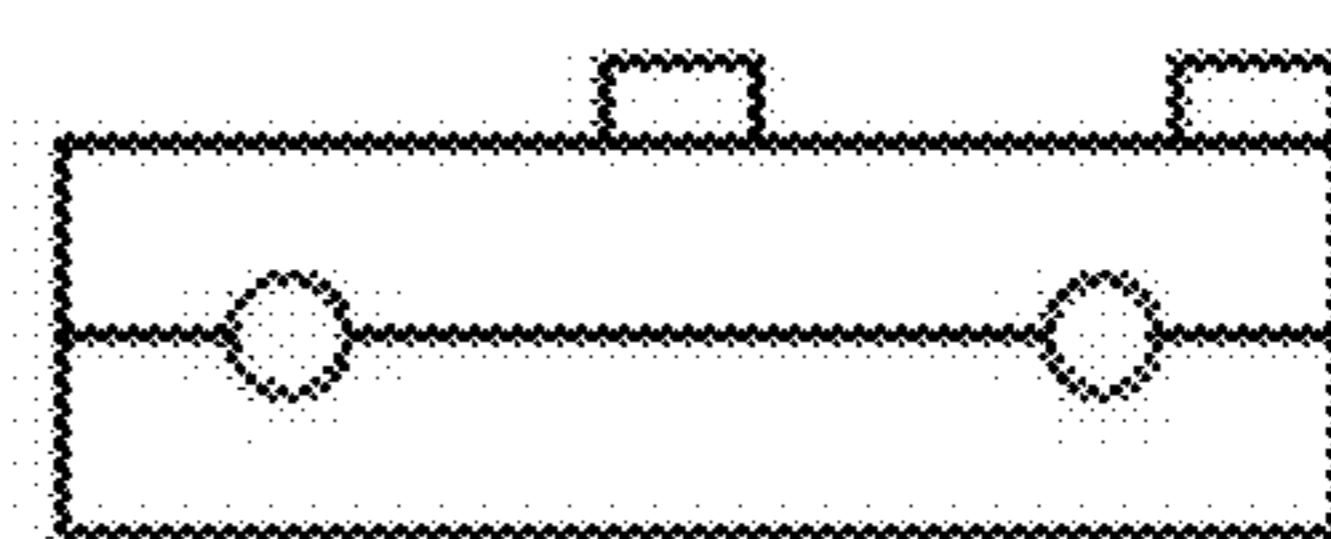


Figure 17



Figure 18

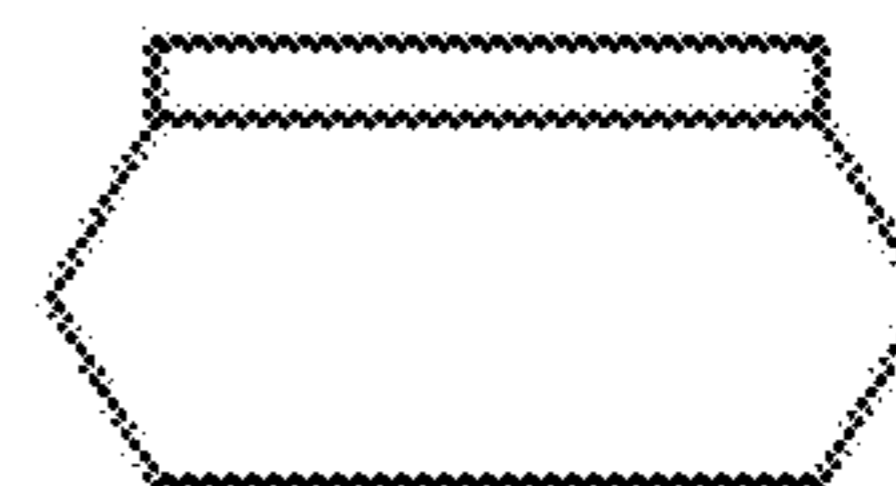


Figure 19

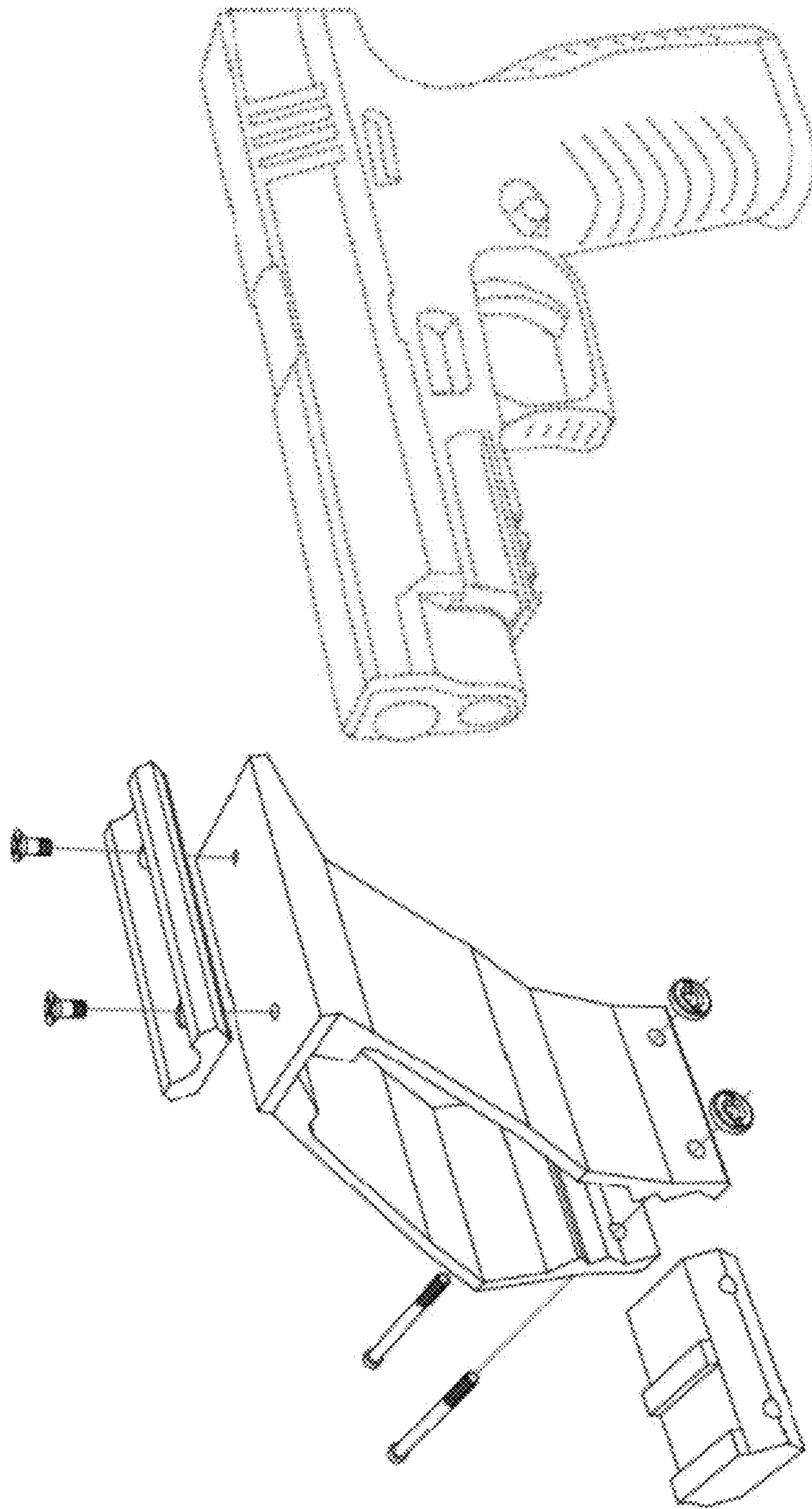


Figure 20