



US00D672839S

(12) **United States Design Patent**
Ding

(10) **Patent No.:** **US D672,839 S**

(45) **Date of Patent:** **** Dec. 18, 2012**

(54) **PIVOT MOUNT RAIL ADAPTOR**

(75) Inventor: **Tai-Lai Ding**, Northville, MI (US)

(73) Assignee: **Leapers, Inc.**, Livonia, MI (US)

(**) Term: **14 Years**

(21) Appl. No.: **29/401,286**

(22) Filed: **Sep. 9, 2011**

(51) **LOC (9) Cl.** **22-01**

(52) **U.S. Cl.** **D22/109**

(58) **Field of Classification Search** D22/108–110,
D22/199; 42/111, 133, 119, 122; D16/132,
D16/130, 133, 330, 134; 359/399, 823, 744
See application file for complete search history.

(56) **References Cited**

U.S. PATENT DOCUMENTS

D256,830	S	*	9/1980	Bechtel	D22/110
D271,618	S	*	11/1983	Nishigaki	D24/138
D291,470	S	*	8/1987	Bechtel	D22/110
D308,981	S	*	7/1990	Moore	D16/132
D313,607	S	*	1/1991	Moore	D16/132
5,111,587	A	*	5/1992	Plank	42/127
5,425,191	A	*	6/1995	Taylor et al.	42/124
D362,007	S	*	9/1995	Takahashi	D16/134
D369,367	S	*	4/1996	Tomita	D16/132
5,606,818	A	*	3/1997	Hardee	42/124
D413,153	S	*	8/1999	Tucker	D22/109
D417,679	S	*	12/1999	Cross et al.	D16/132
D427,275	S	*	6/2000	Gilmore	D22/109
D427,658	S	*	7/2000	Tucker	D22/109
6,508,026	B1	*	1/2003	Uppiano et al.	42/119
6,594,938	B2	*	7/2003	Horton	42/127
D515,603	S	*	2/2006	Hines et al.	D16/134
D516,156	S	*	2/2006	Crandall	D22/109

D589,544	S	*	3/2009	York	D16/132
D637,260	S	*	5/2011	Swan	D22/109
D638,089	S	*	5/2011	Ding	D22/109
7,997,163	B2	*	8/2011	Casas	74/553
D654,552	S	*	2/2012	Wu et al.	D22/108

(Continued)

Primary Examiner — Michael A Pratt

(74) *Attorney, Agent, or Firm* — Honigman Miller Schwartz and Cohn LLP

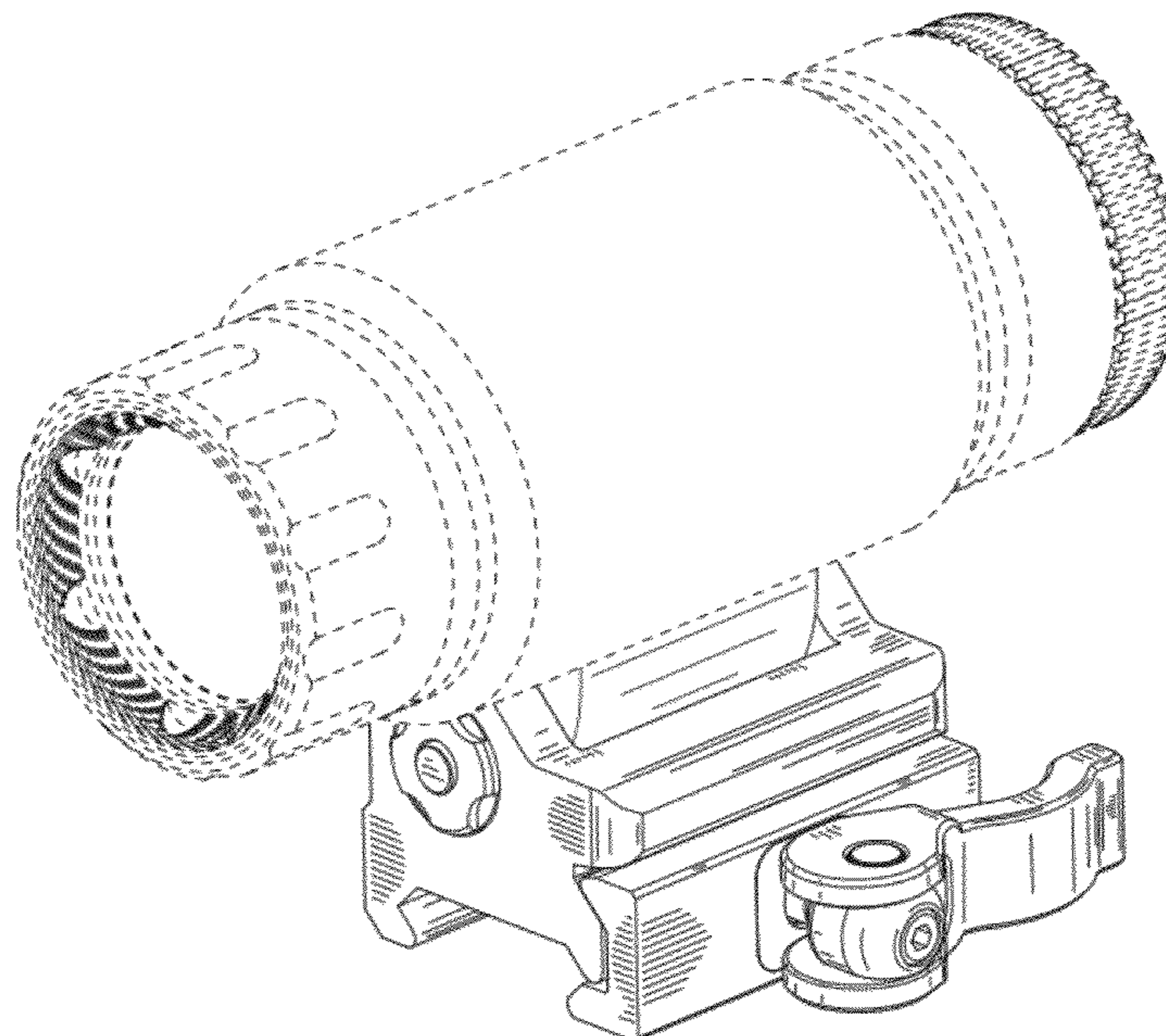
(57) **CLAIM**

The ornamental design for pivot mount rail adaptor, as shown and described.

DESCRIPTION

FIG. 1 is an isometric view of the pivot mount rail adaptor of the present invention;
 FIG. 2 is a front elevational view of the rail adaptor of FIG. 1;
 FIG. 3 is a back elevational view of the rail adaptor of FIG. 1;
 FIG. 4 is a left elevational view of the rail adaptor of FIG. 1;
 FIG. 5 is a right elevational view of the rail adaptor of FIG. 1;
 FIG. 6 is a top view of the rail adaptor of FIG. 1;
 FIG. 7 is a bottom view of the rail adaptor of FIG. 1;
 FIG. 8 is an isometric view of the pivot mount rail adaptor of the present invention;
 FIG. 9 is a front elevational view of the rail adaptor of FIG. 8;
 FIG. 10 is a back elevational view of the rail adaptor of FIG. 8;
 FIG. 11 is a left side elevational view of the rail adaptor of FIG. 8;
 FIG. 12 is a right side elevational view of the rail adaptor of FIG. 8;
 FIG. 13 is a top view of the rail adaptor of FIG. 8; and,
 FIG. 14 is a bottom view of the rail adaptor of FIG. 8.

1 Claim, 12 Drawing Sheets



US D672,839 S

Page 2

U.S. PATENT DOCUMENTS			
8,166,697 B1 *	5/2012	Sueskind	42/125
2008/0034638 A1 *	2/2008	Spuhr	42/127
		2010/0162611 A1 *	7/2010 Samson et al. 42/125
		2010/0175298 A1 *	7/2010 Thomas et al. 42/122
		* cited by examiner	

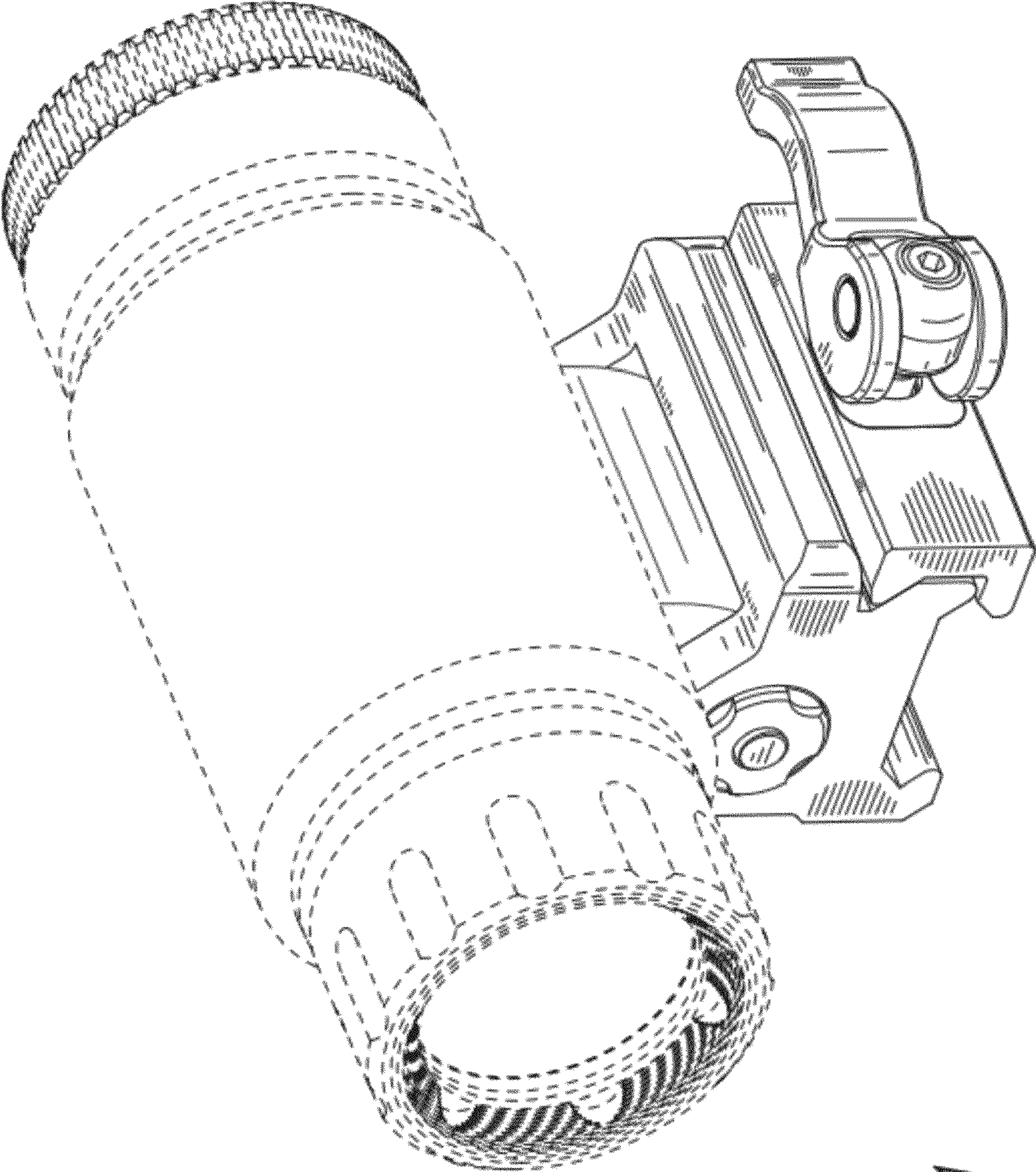


FIG. 1

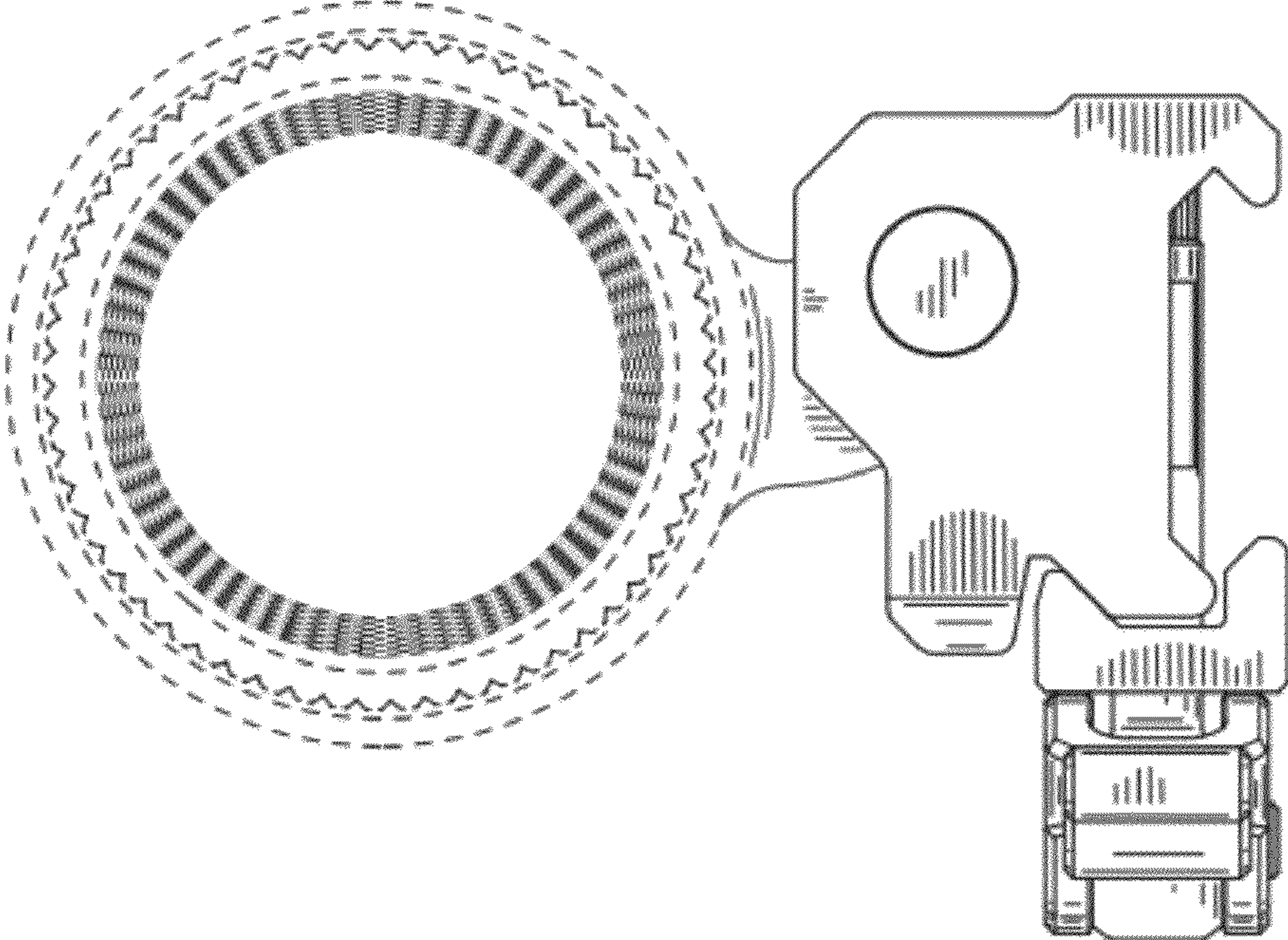


FIG. 3

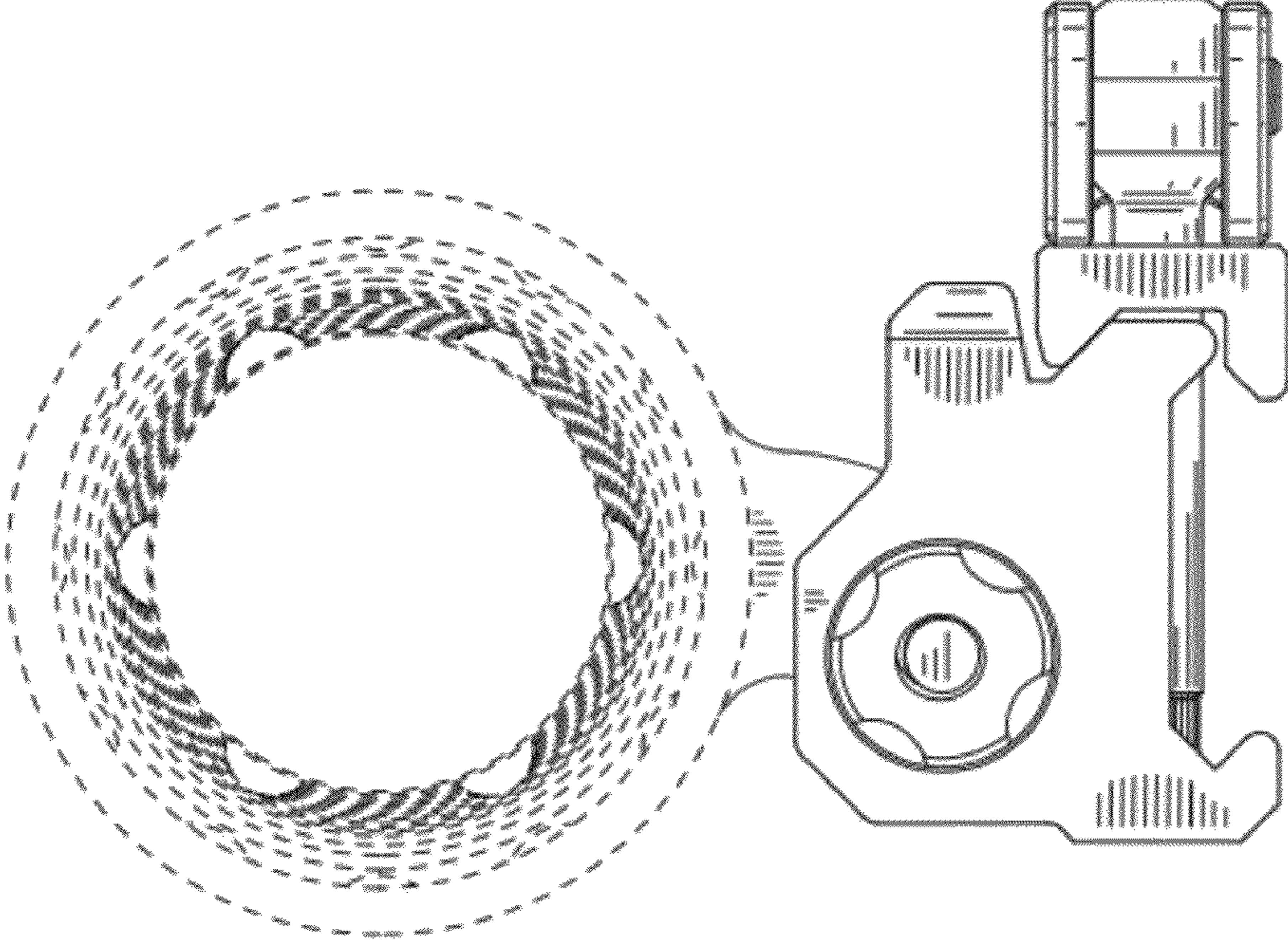


FIG. 2

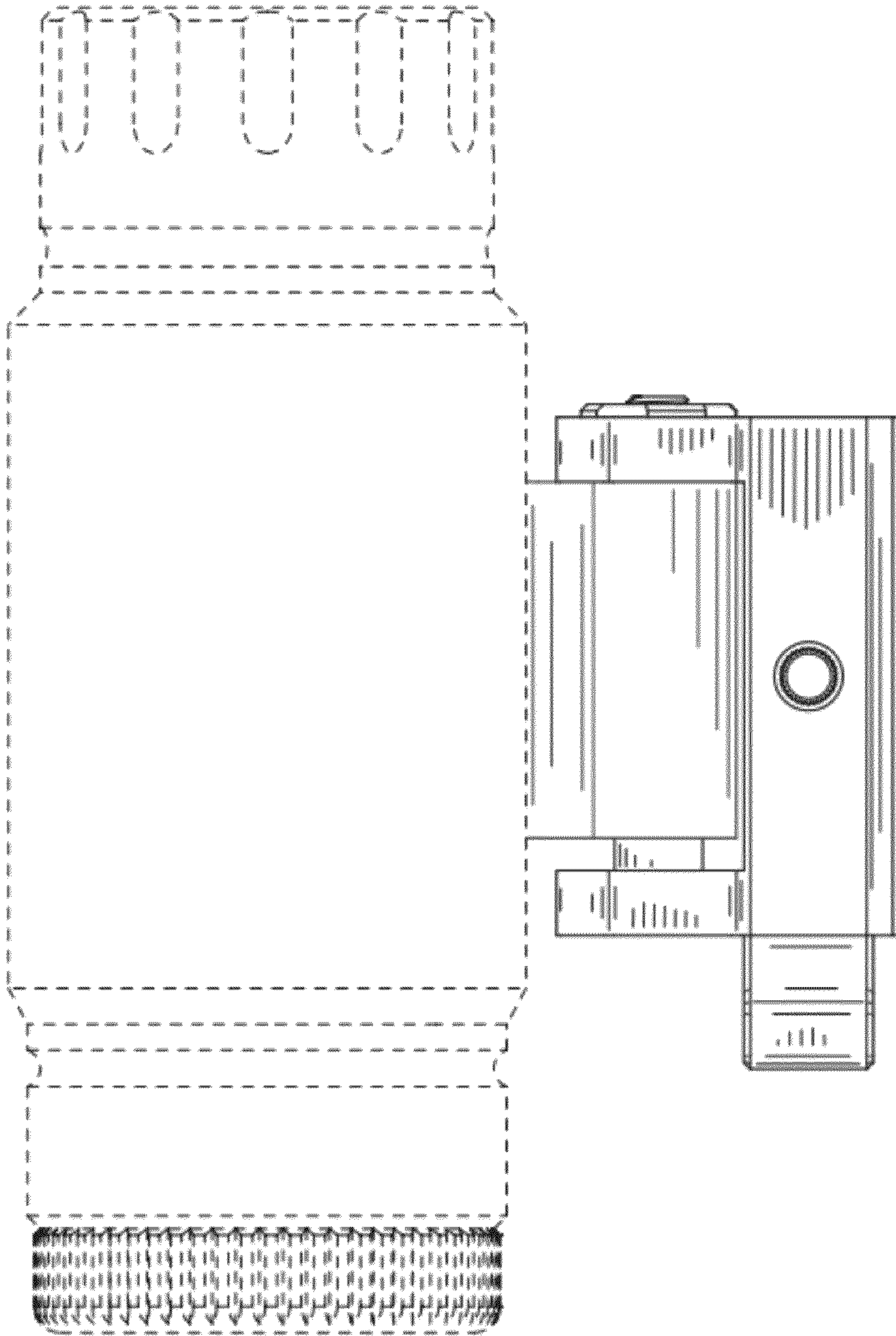


FIG. 4

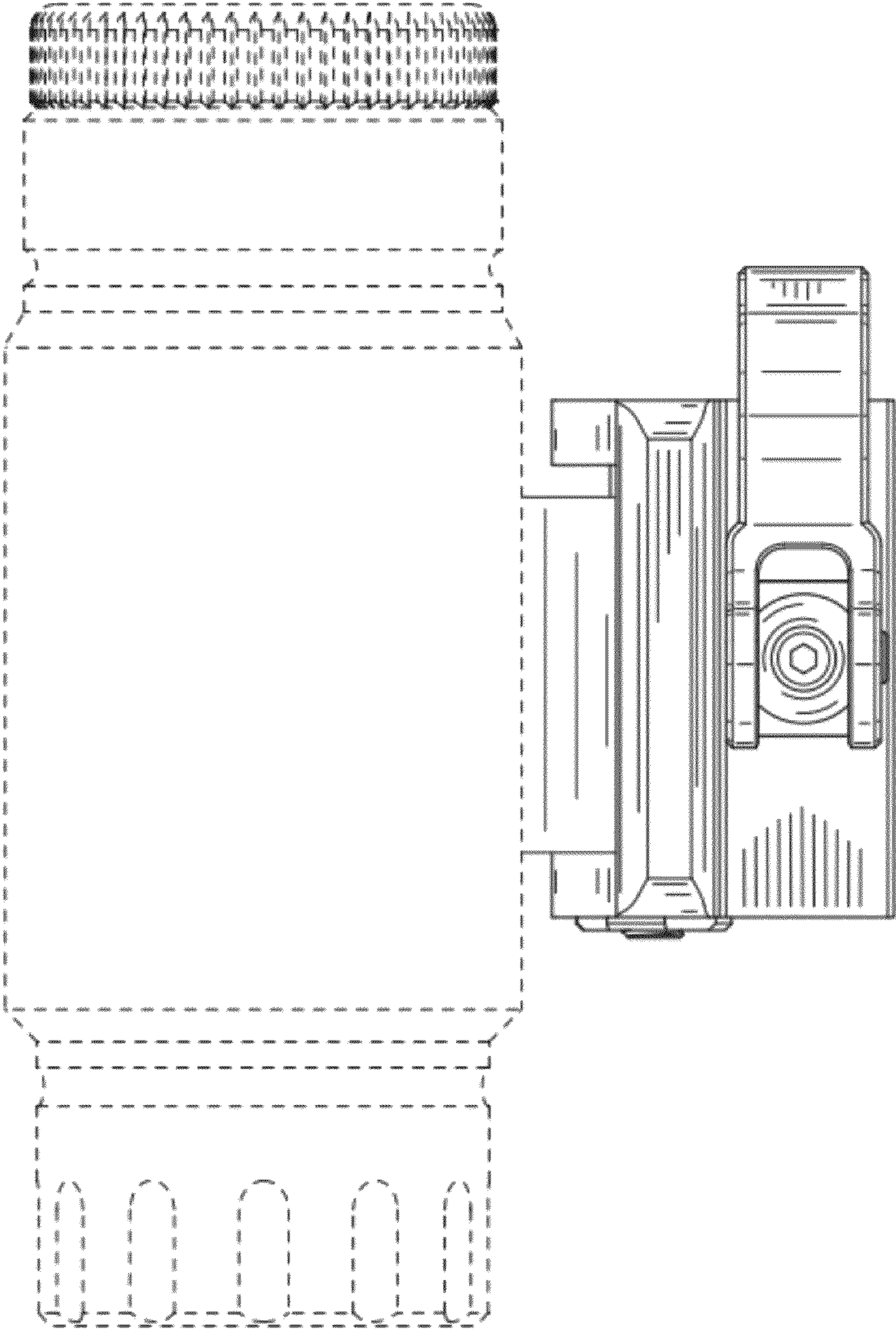


FIG. 5

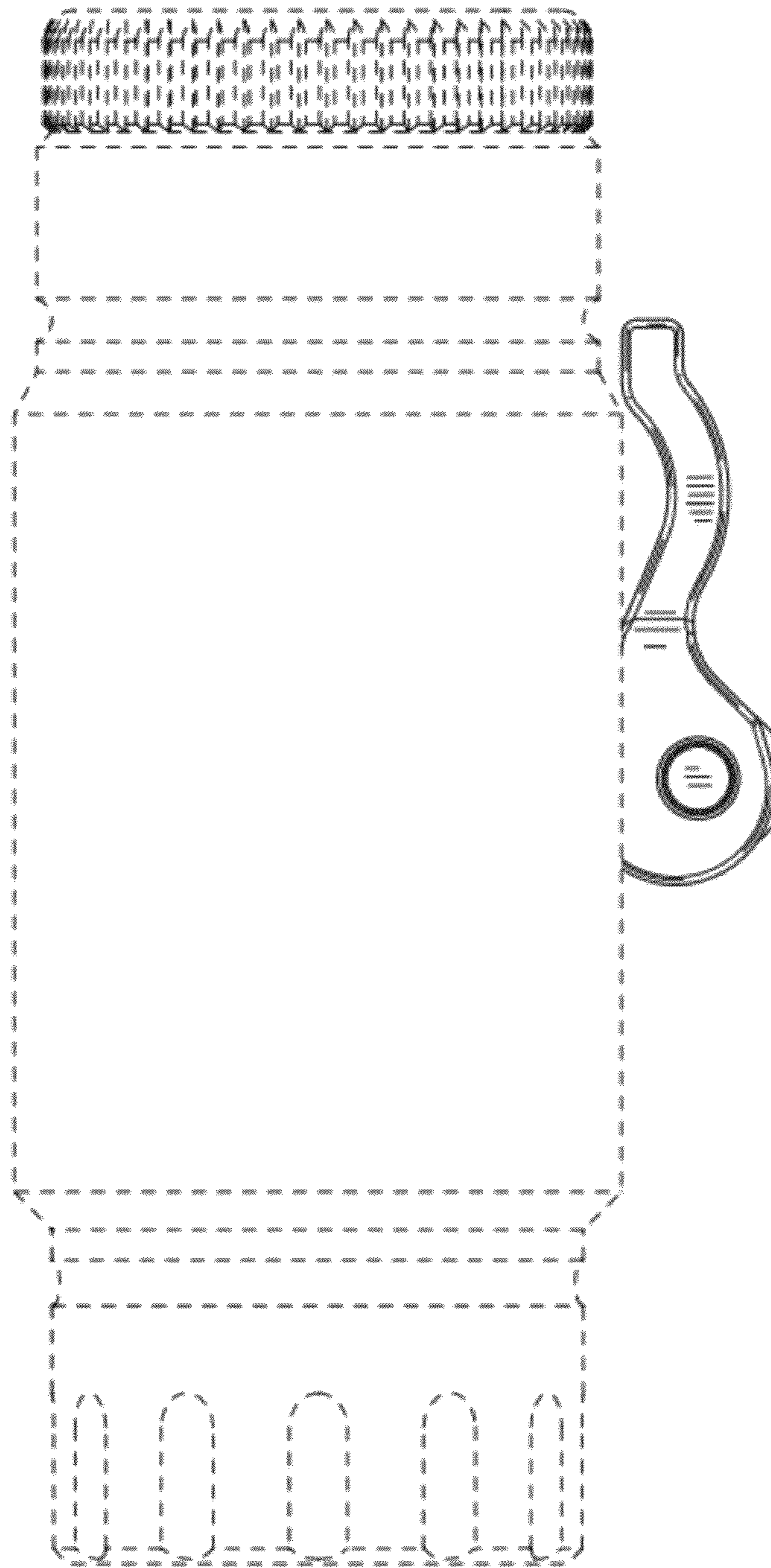


FIG. 6

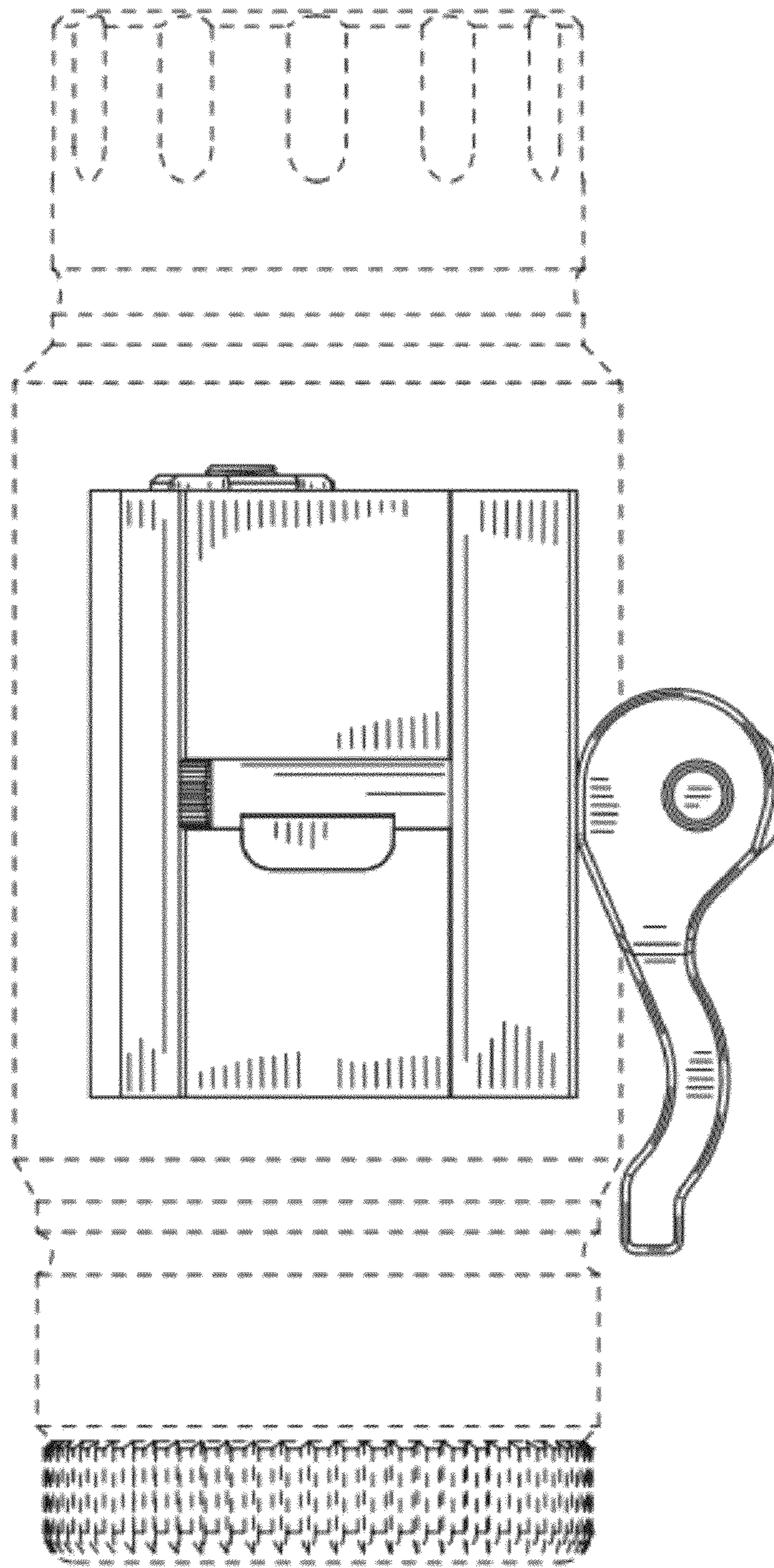


FIG. 7

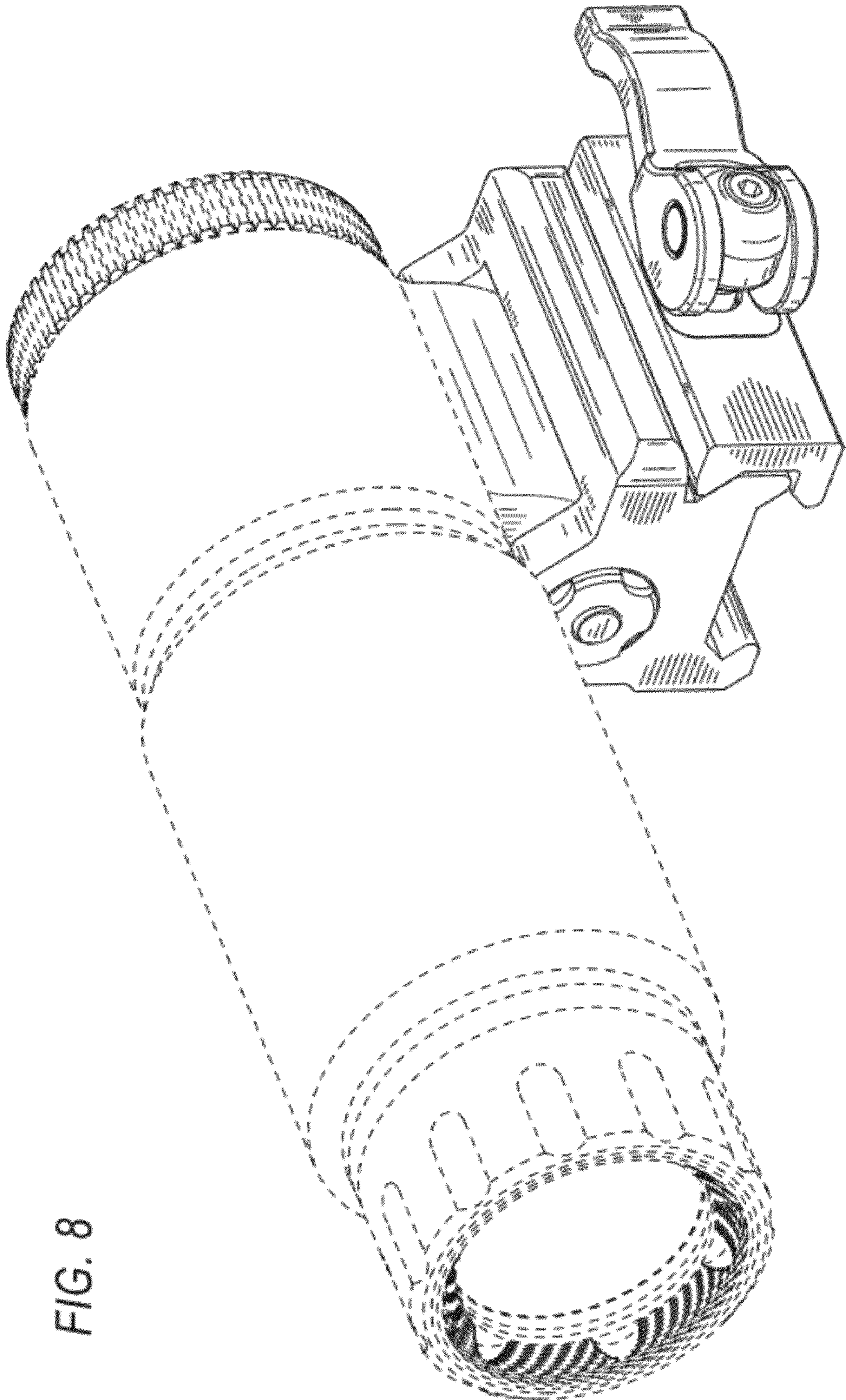


FIG. 8

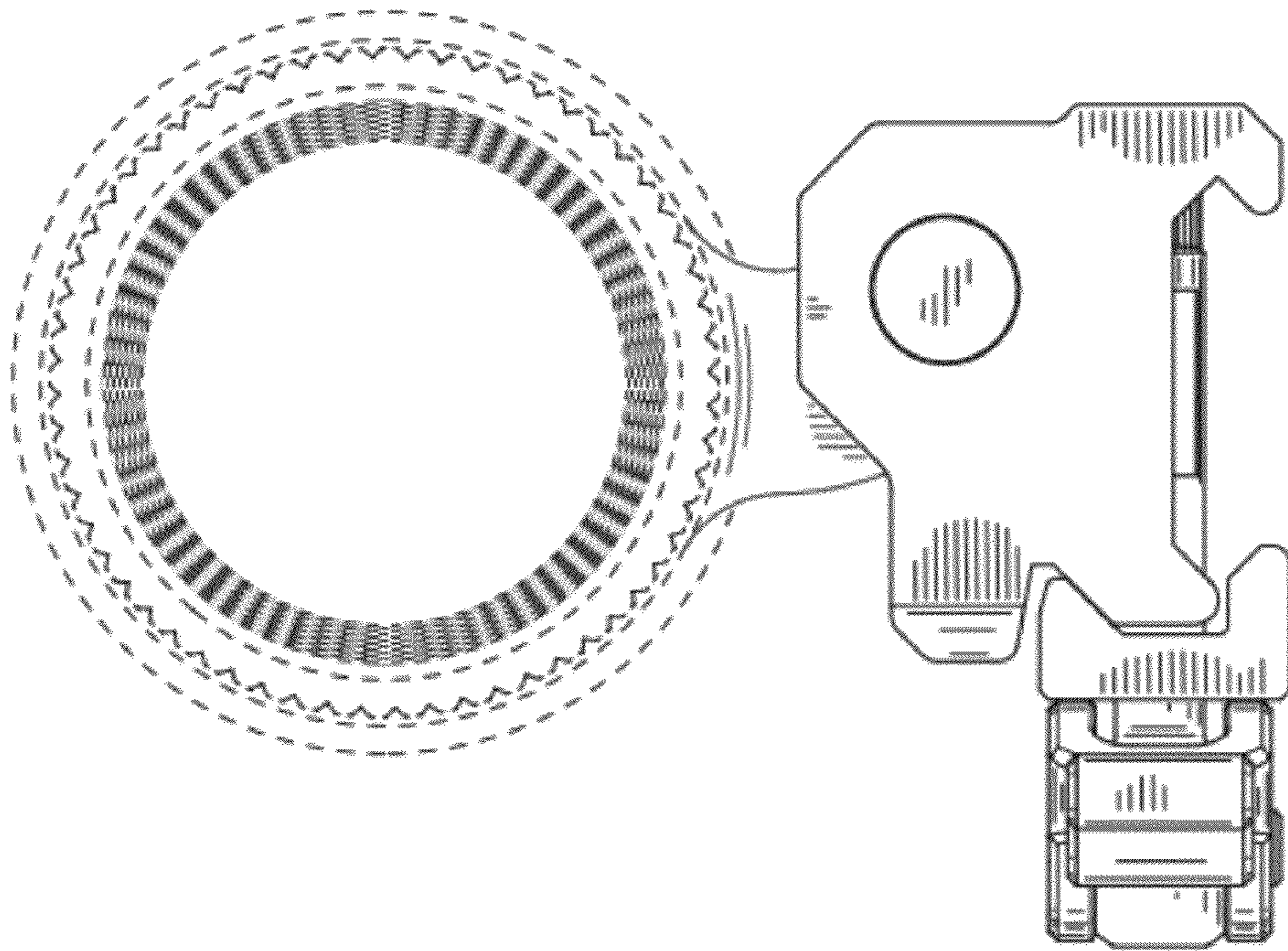


FIG. 10

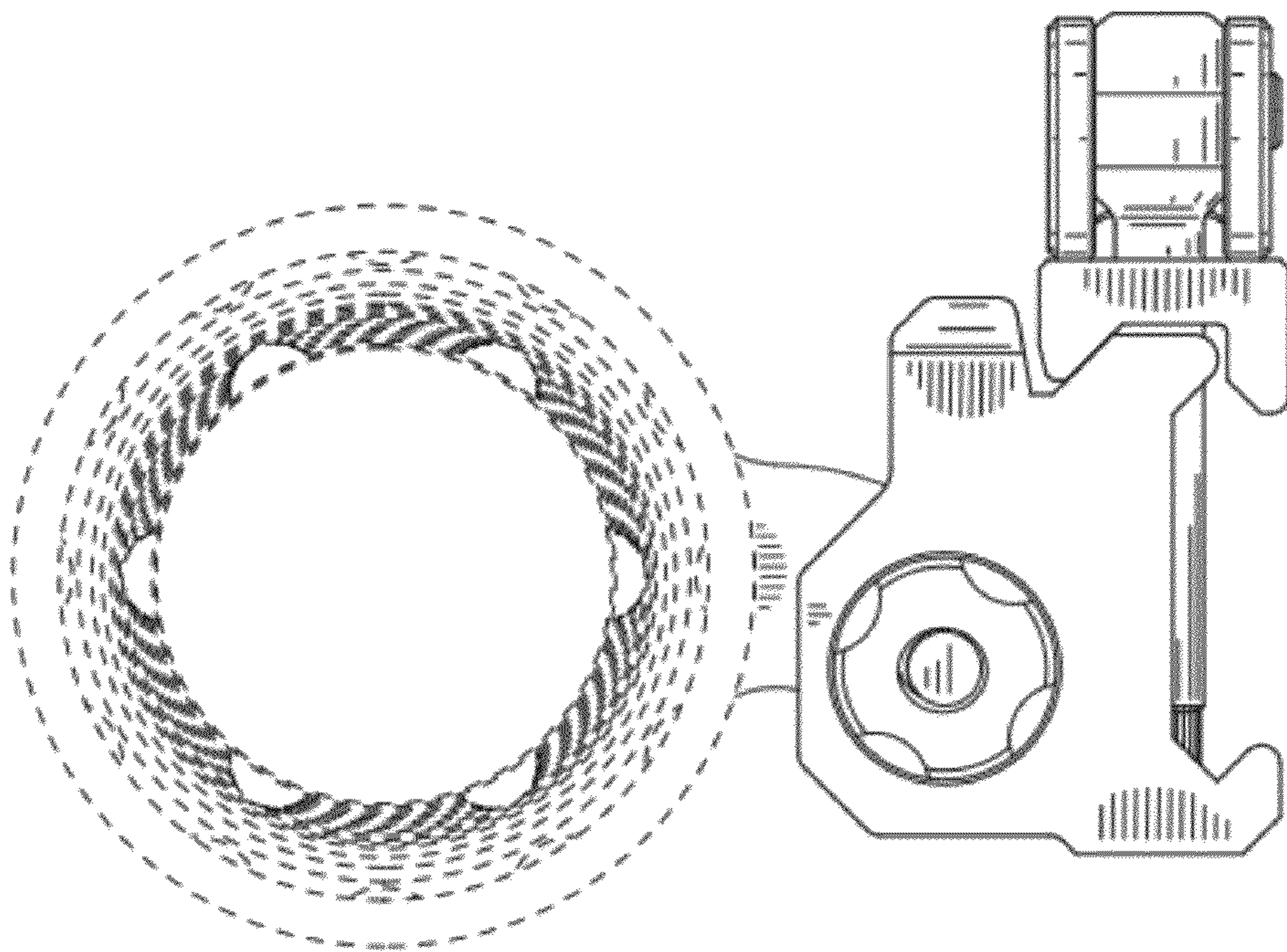


FIG. 9

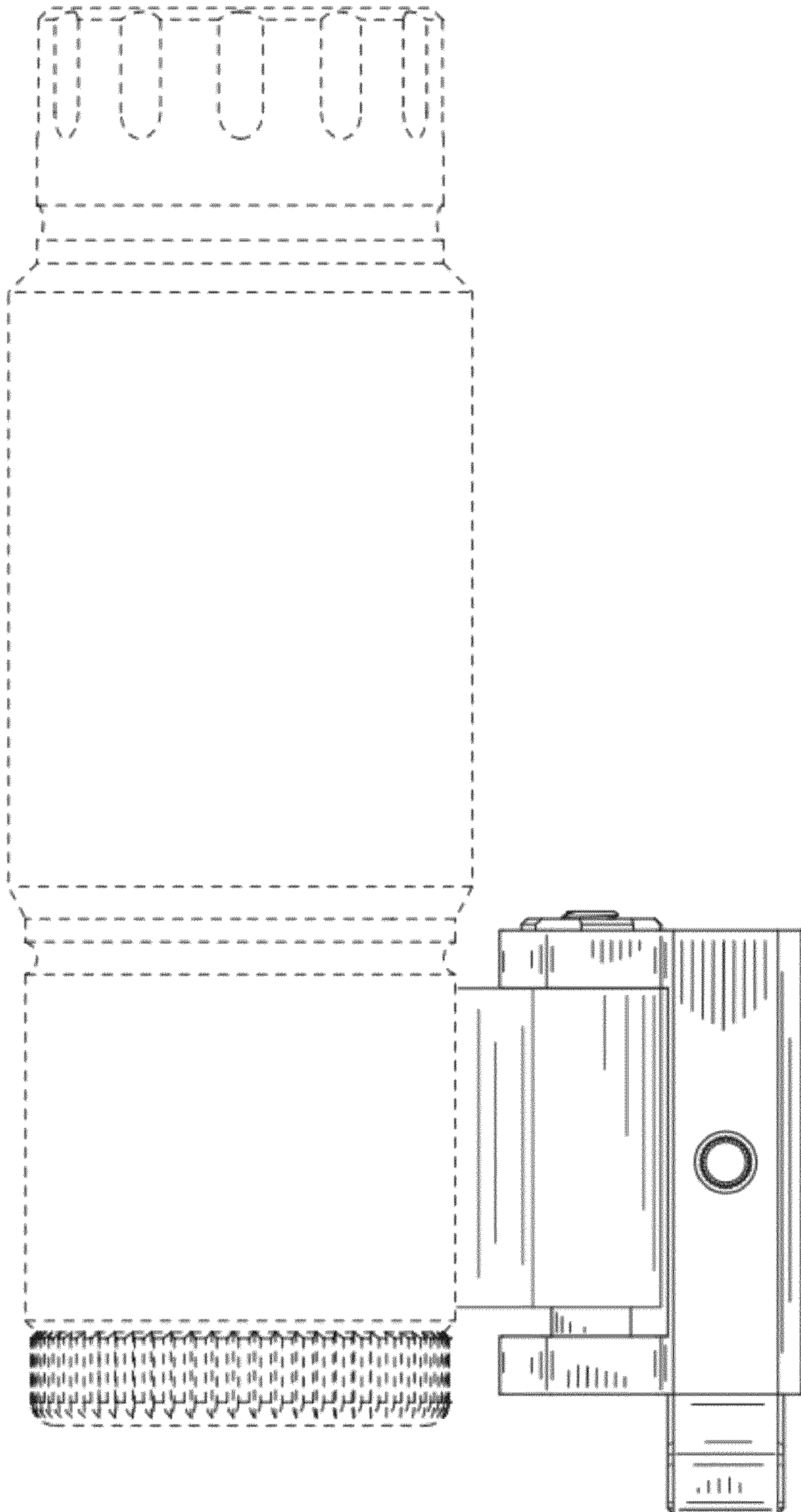


FIG. 11

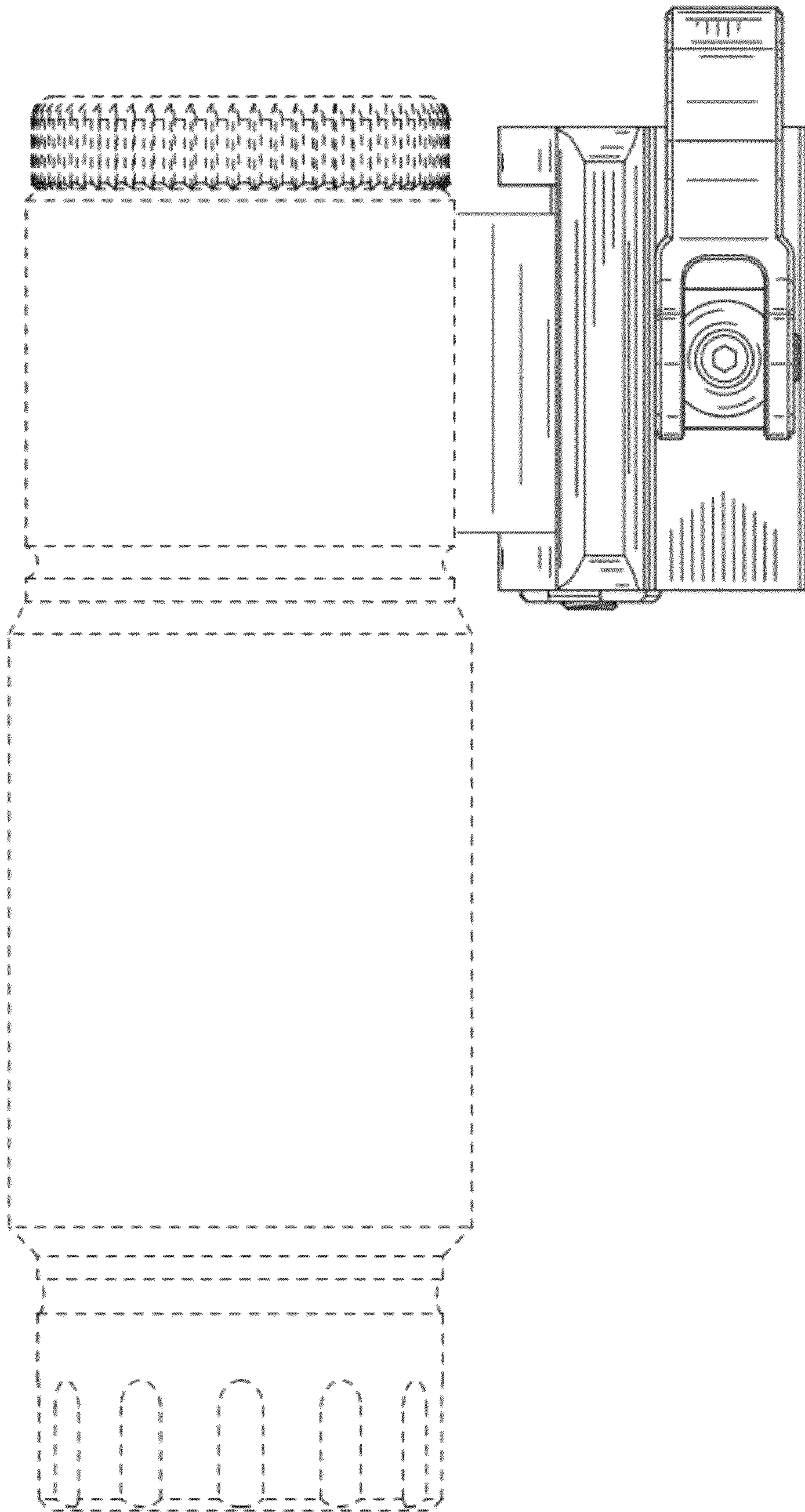


FIG. 12

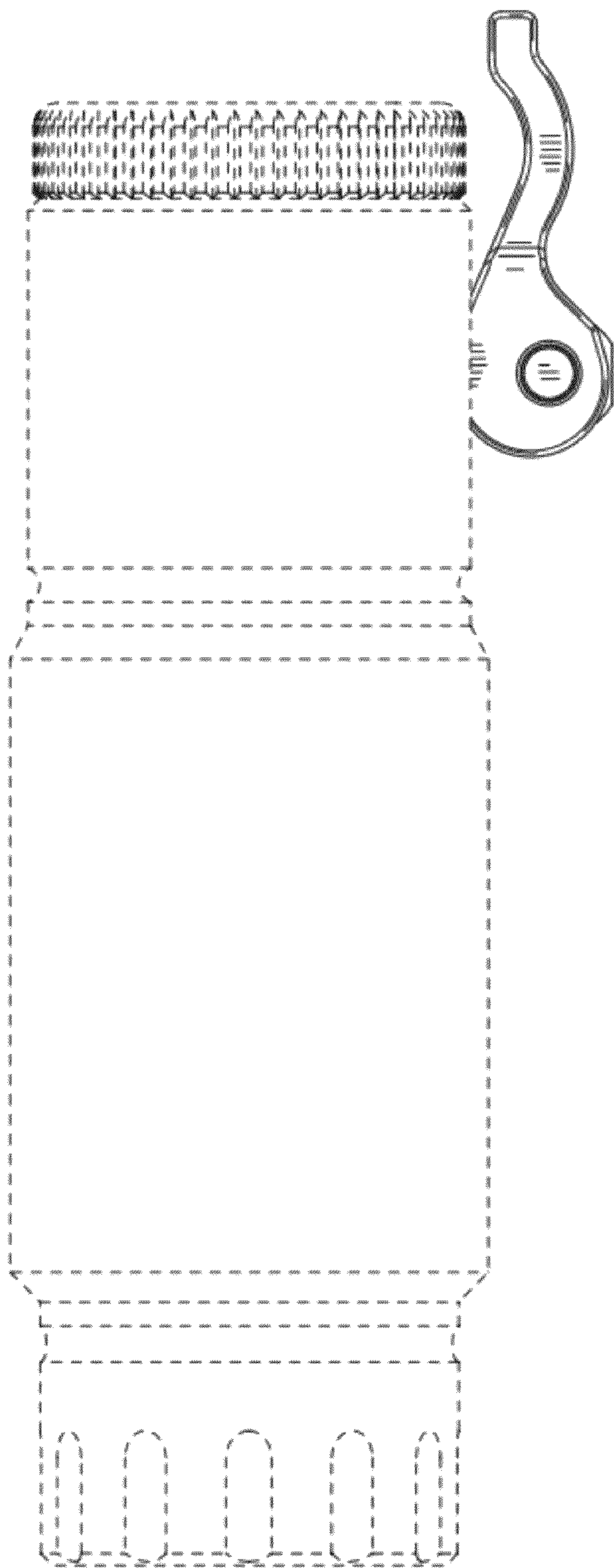


FIG. 13

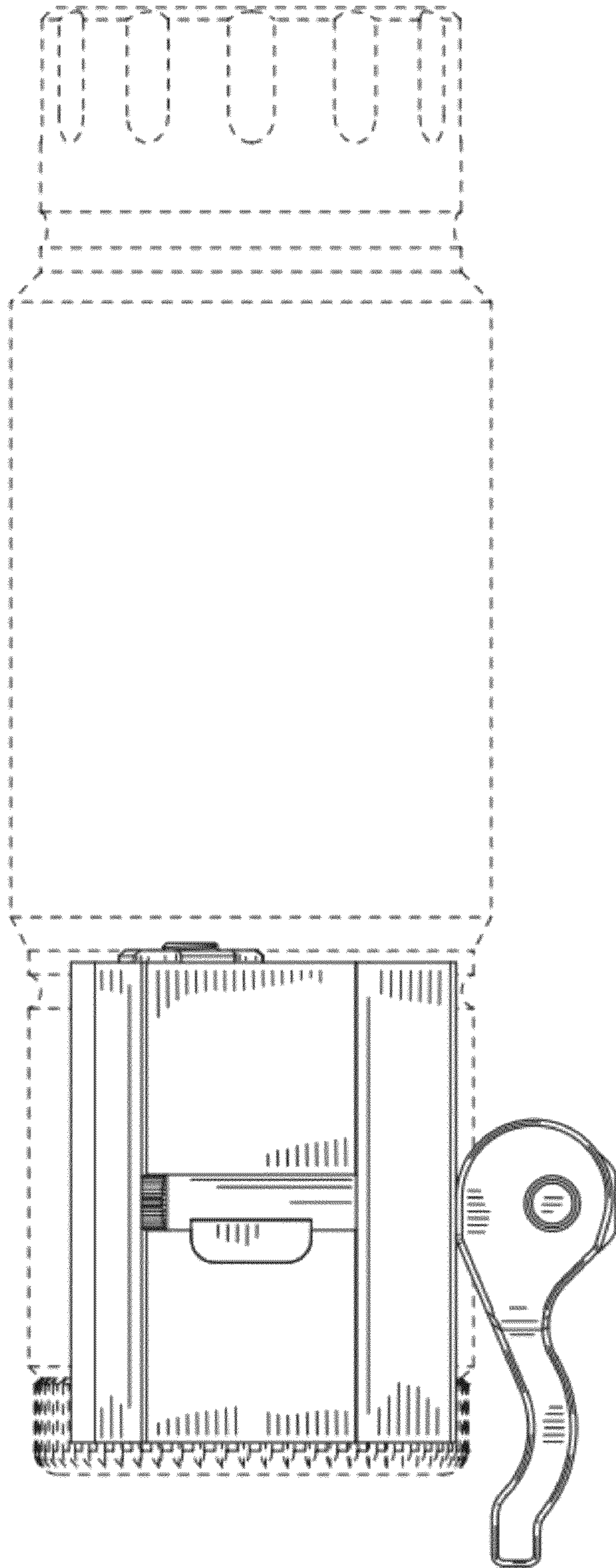


FIG. 14