

US00D672838S

(12) **United States Design Patent**
Mayberry et al.

(10) **Patent No.:** **US D672,838 S**
(45) **Date of Patent:** **** Dec. 18, 2012**

(54) **FOREND FOR A FIREARM**

D641,450 S 7/2011 Ding
(Continued)

(75) Inventors: **Michael T. Mayberry**, Denver, CO
(US); **Richard Fitzpatrick**, Longmont,
CO (US); **Grady Barfoot**, Denver, CO
(US); **Nick Kielsmeier**, Thornton, CO
(US); **Brian Nakayama**, Arvada, CO
(US); **Brad Bennett**, Lafayette, CO
(US); **Sean Flickinger**, Lakewood, CO
(US)

OTHER PUBLICATIONS

BravoCompanyUSA_com_2007_M4_Hand_Gaurd
BravoCompanyUSA.com (Oct. 15, 2007) M4 Hand Gaurd; Website
[Online] Available Web Site: <http://www.bravocompanyusa.com/M4-Handguards-Black-p/bcm%20handguards%20m4%20black.htm>;
Last Update: Feb. 19, 2008; Accessed on Feb. 23, 2011.

(Continued)

(73) Assignee: **Magpul Industries Corporation**, Erie,
CO (US)

Primary Examiner — Michael A Pratt

(**) Term: **14 Years**

(74) *Attorney, Agent, or Firm* — Swanson & Bratschun,
L.L.C.

(21) Appl. No.: **29/401,634**

(22) Filed: **Sep. 13, 2011**

(51) **LOC (9) Cl.** **22-01**

(52) **U.S. Cl.** **D22/108**

(58) **Field of Classification Search** D22/100,
D22/101, 103, 104, 108, 199; D21/572-575;
42/51, 71.01, 75.01, 75.02, 90, 94, 134, 136,
42/139, 125, 72, 111; 89/40.06, 41.19, 37.04,
89/33.04, 191.01, 200-204; 124/67, 66,
124/72, 74

See application file for complete search history.

(57) **CLAIM**

The ornamental design for a forend for a firearm, as shown
and described.

DESCRIPTION

FIG. 1 is a left, rear, top perspective view of a forend for a
firearm attached to a firearm barrel showing our new design;
FIG. 2 is a left, rear, bottom perspective view of the forend for
a firearm of FIG. 1 with the firearm barrel omitted;
FIG. 3 is a right side elevation view of the forend for a firearm
of FIG. 1, the left side being a mirror image thereof;
FIG. 4 is a top plan view of the forend for a firearm of FIG. 1;
FIG. 5 is a bottom plan view of the forend for a firearm of FIG.
1;
FIG. 6 is a rear elevation view of the forend for a firearm of
FIG. 1; and,
FIG. 7 is a front elevation view of the forend for a firearm of
FIG. 1.

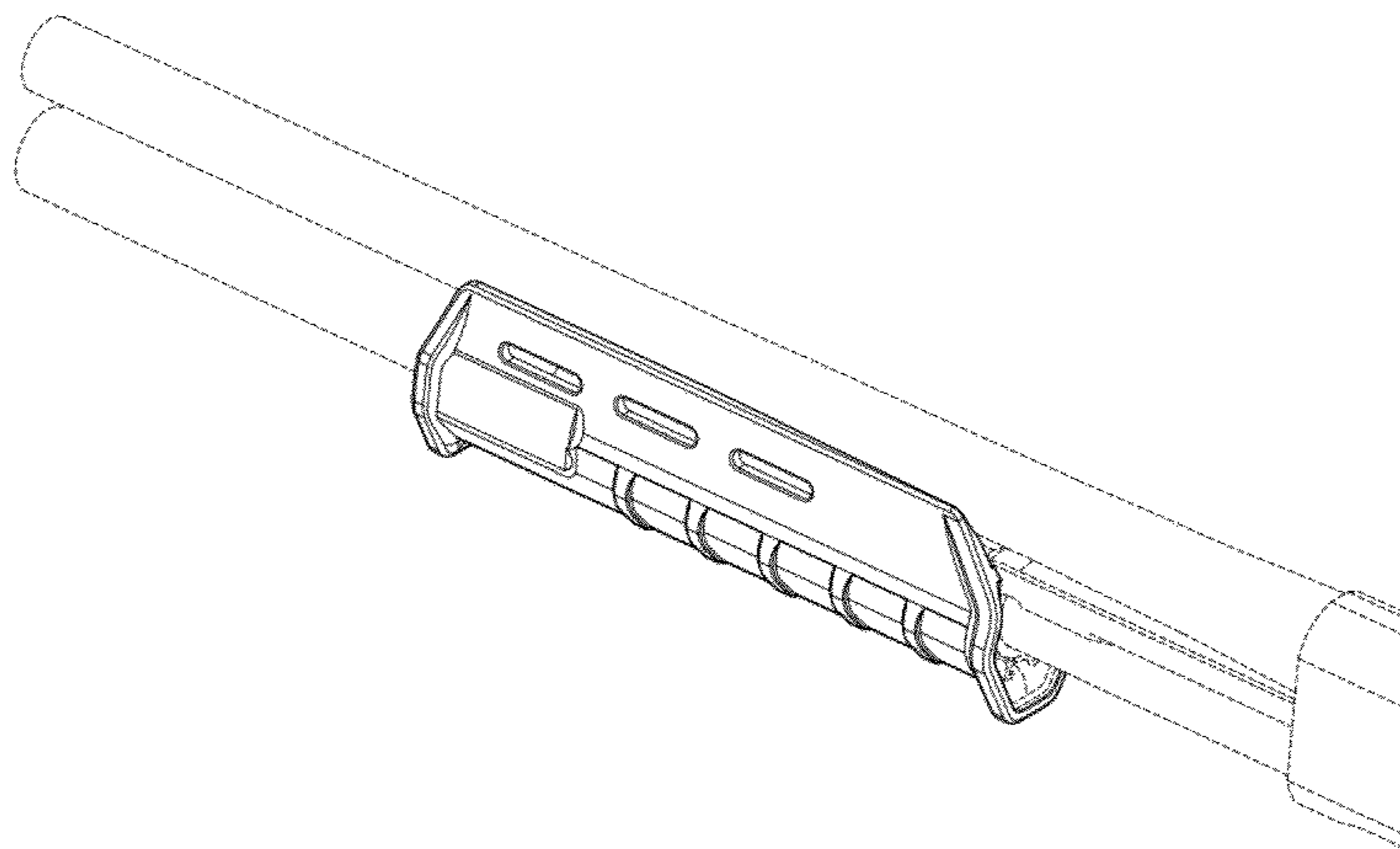
The broken lines showing portions of the design in all figures
is included for the purpose of illustrating environment and
unclaimed features and forms not part of the claimed design.

(56) **References Cited**

U.S. PATENT DOCUMENTS

4,536,982	A	8/1985	Bredbury	
4,663,875	A	5/1987	Tatro	
D297,450	S	8/1988	Florida	
5,010,676	A	4/1991	Kennedy	
6,609,321	B2	8/2003	Faifer	
6,662,485	B2 *	12/2003	Kay	42/75.03
D486,547	S	2/2004	Faifer	
6,775,941	B1 *	8/2004	McNulty, Jr.	42/70.11
D507,619	S	7/2005	Shiloni	
D615,142	S	5/2010	Bentley	

1 Claim, 5 Drawing Sheets



U.S. PATENT DOCUMENTS

D656,215 S * 3/2012 Fitzpatrick et al. D22/108
2011/0119982 A1 * 5/2011 Webber et al. 42/75.03

OTHER PUBLICATIONS

Bushmaster_com_ACR_Accessories_Polymer_Hand_Guard
Bushmaster.com, ACR Accessories—Polymer Hand Guard—Car-
bine—Black; Website [Online] Available Web Site: <http://www.bushmaster.com/products.asp?cat=11>; Last Update: unknown; Accessed on Feb. 23, 2011.
DSArms_com_SA58_FAL_Spartan_Tactical_Rifle DSArms.
com, SA58 FAL Spartan Tactical Rifle .308 Caliber—
SA58SPNTAC; Website [Online] Available Web Site: <http://www.dsarms.com/SA58-FAL-Spartan-Tactical-Rifle-308-Caliber---SA58SPNTAC/productinfo/SA58SPNTAC/>; Last Update: unknown; Accessed on Feb. 23, 2011.

Bushmaster_com_2007_Schematic_Parts_Poster_M4A3_Car-
bine Bushmaster.com (2007) Schematic Parts Poster for Bushmaster
M4A3 Carbine; Website [Online] Available Web Site: <http://www.bushmaster.com/electronic-document/2007Catalogv1/Page40-41Schematic2007.pdf>; Last Update: unknown; Accessed on May 9, 2011.

Bushmaster_com_Disassembly_Views_AR15_Rifle
Bushmaster.com; Disassembly Views of the Bushmaster AR15 Rifle;
Website [Online] Available Web Site: <http://www.bushmaster.com/documentation/AR51%20PBRifleBBLAssembiy.pdf>; Last Update: unknown; Accessed on May 9, 2011.

U.S. Appl. No. 13/008,747, filed Jan. 18, 2011, “Firearm Hand Guard Cap Interface” by Fitzpatrick.

U.S. Appl. No. 29/379,439, filed Nov. 19, 2010, “Hand Guard for a Firearm” by Fitzpatrick.

* cited by examiner

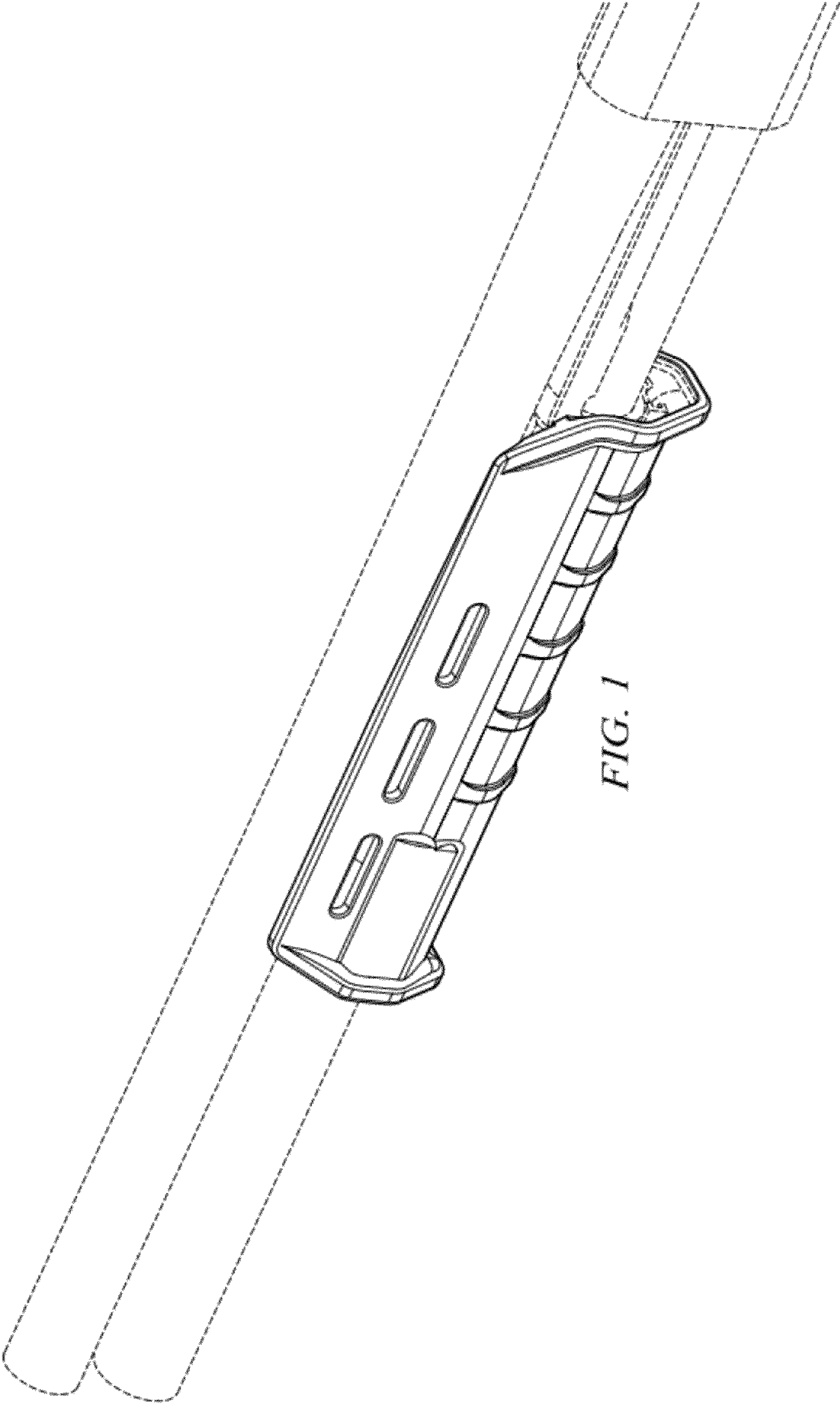


FIG. 1

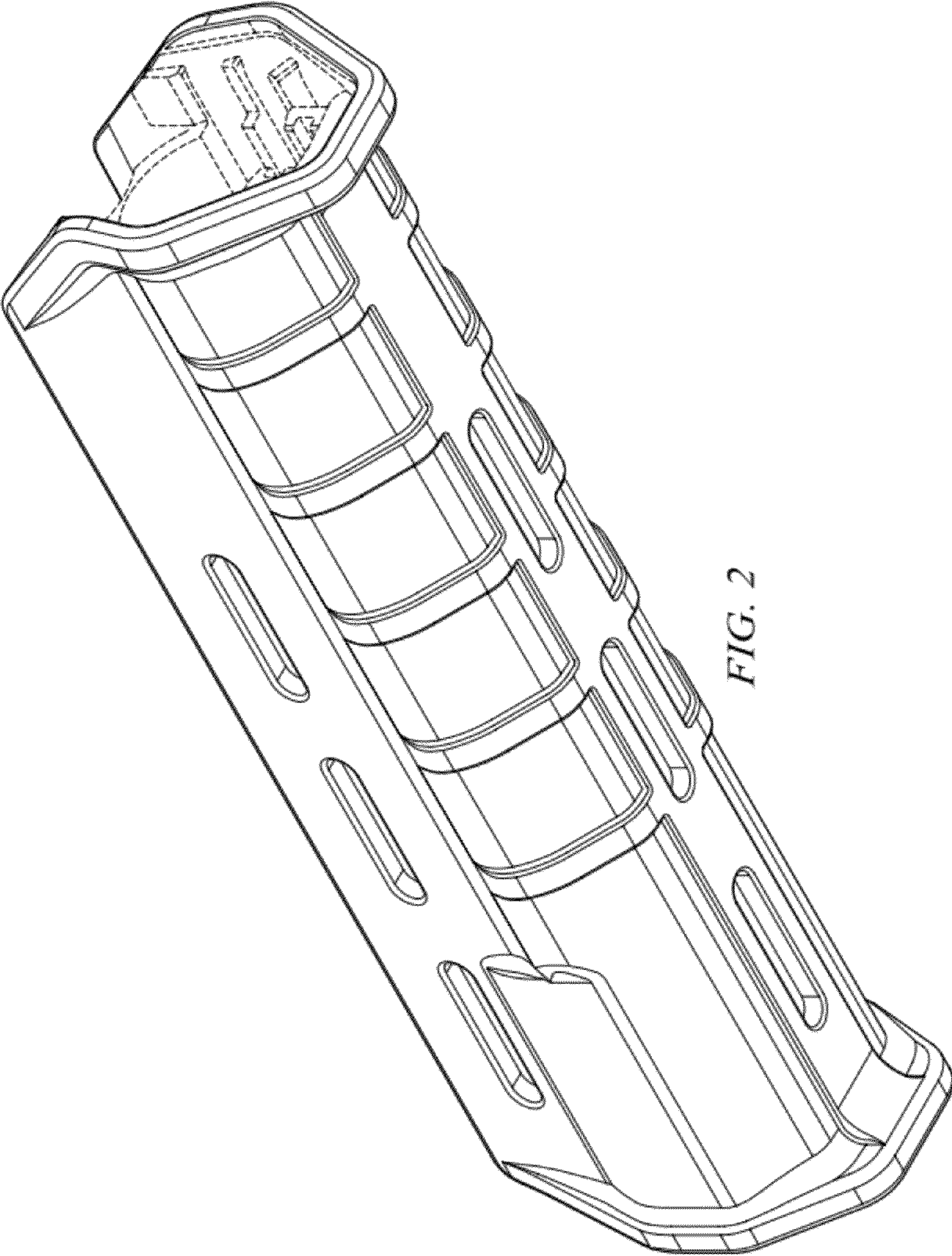


FIG. 2

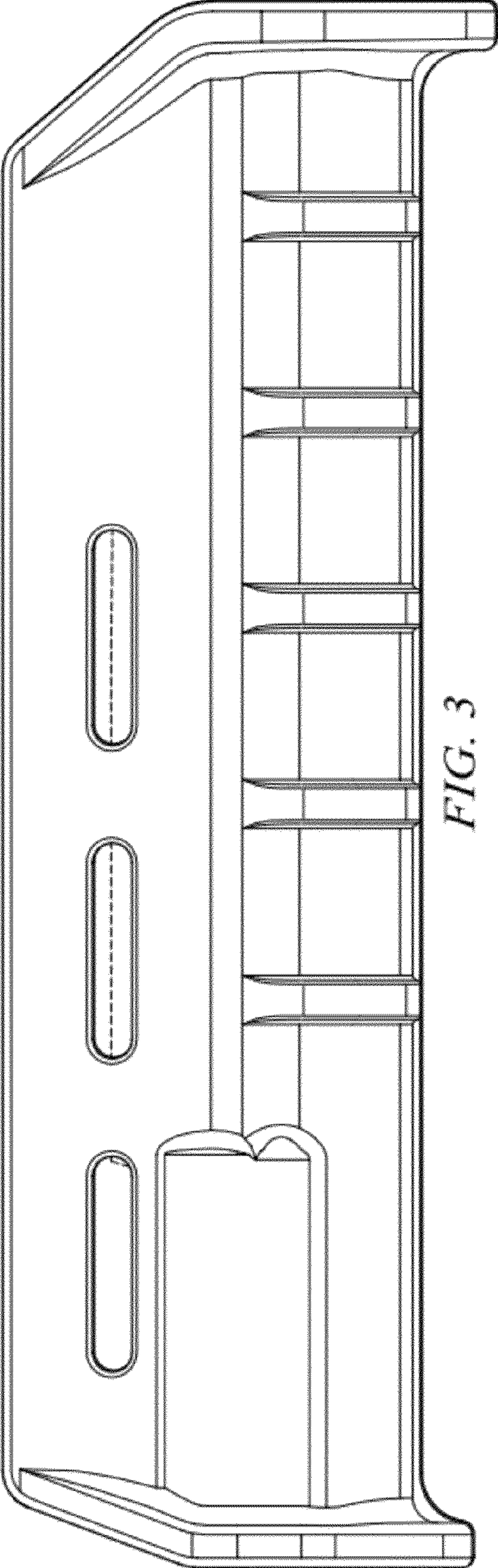


FIG. 3

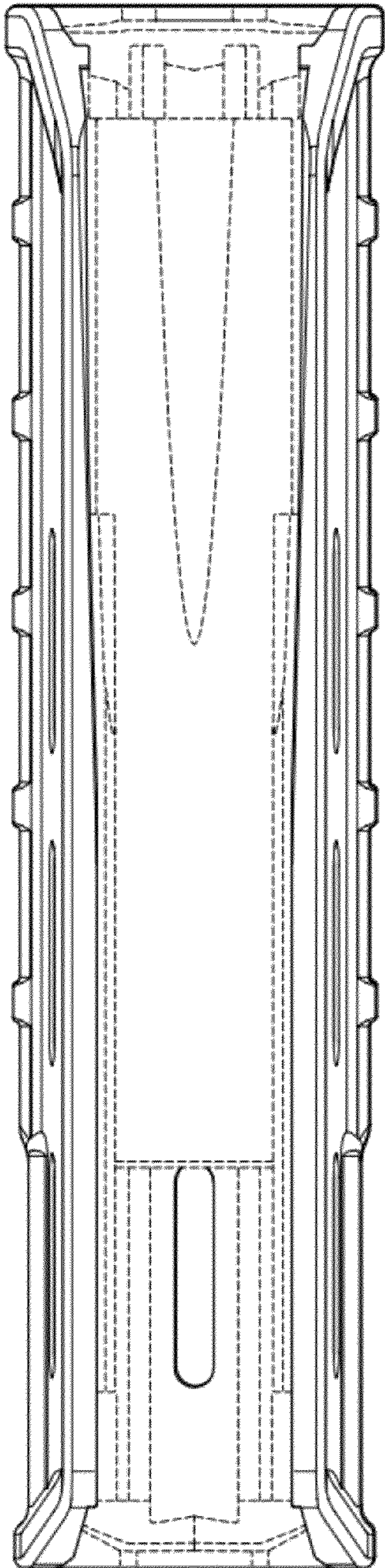


FIG. 4

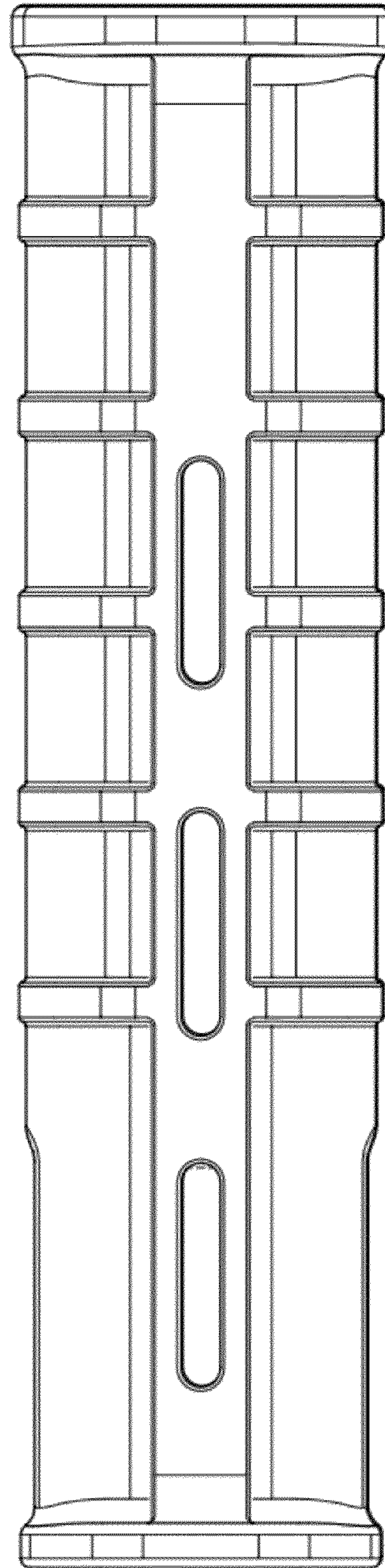


FIG. 5

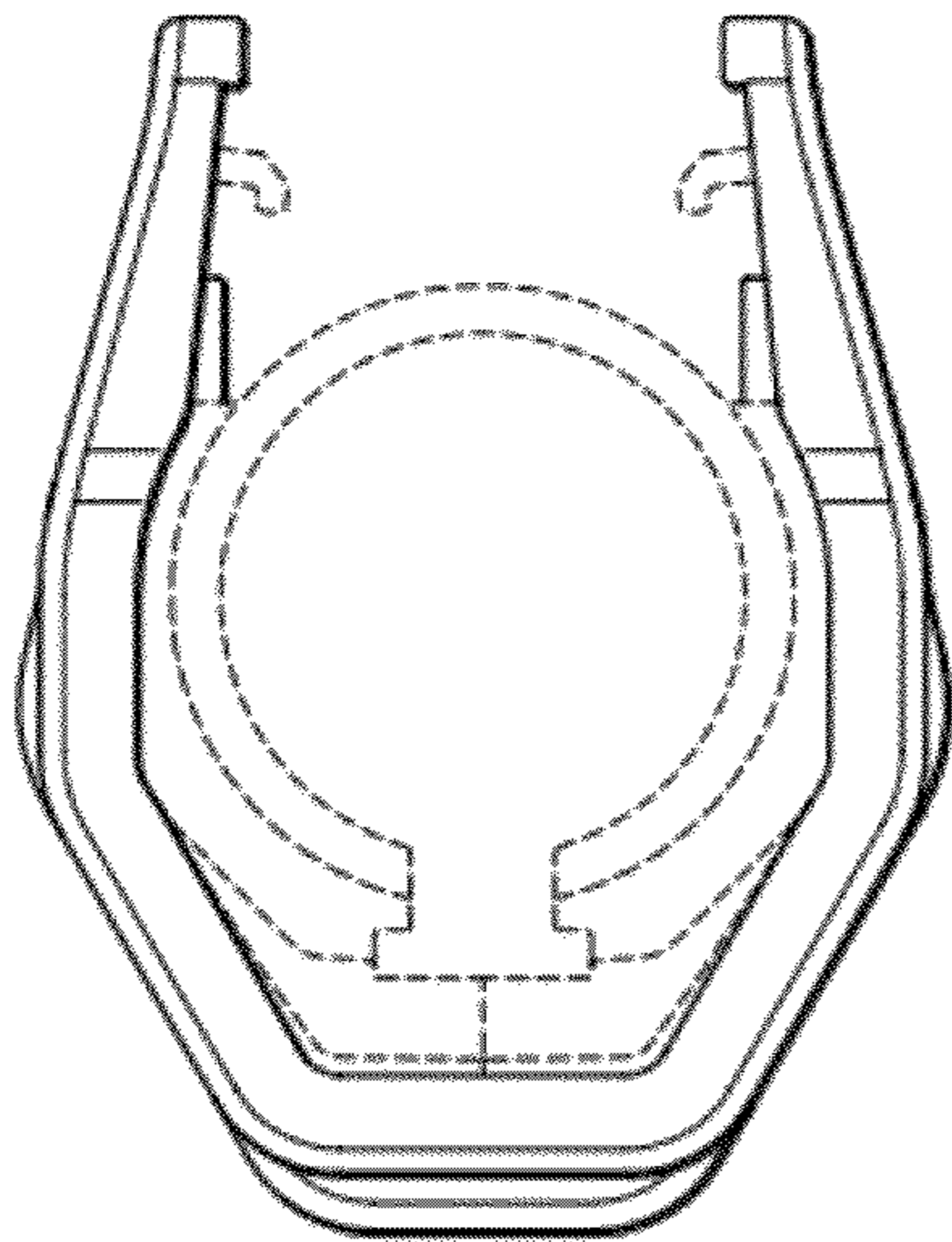


FIG. 6

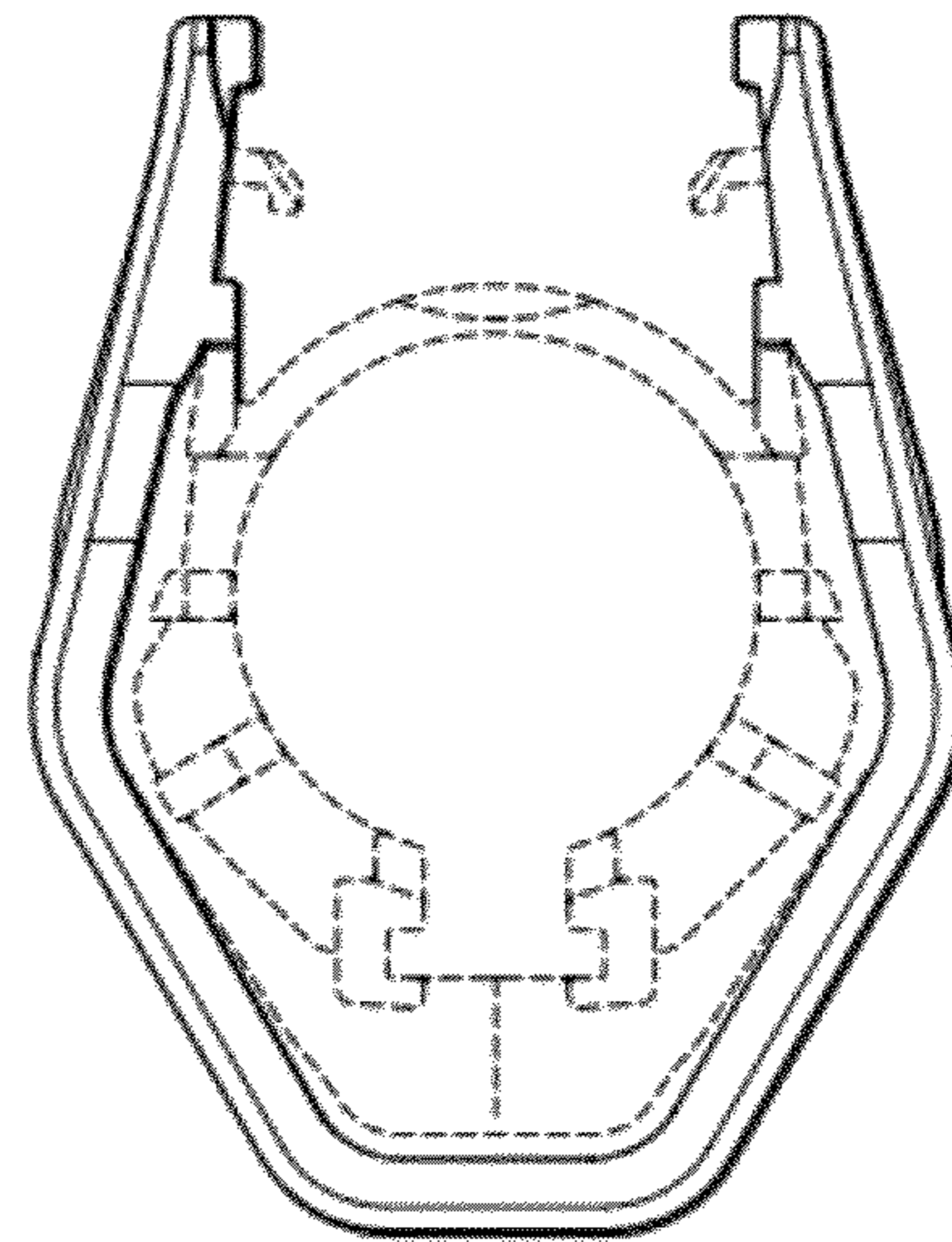


FIG. 7