



US00D672836S

(12) **United States Design Patent**
Butcher

(10) **Patent No.:** **US D672,836 S**

(45) **Date of Patent:** **** Dec. 18, 2012**

(54) **BROADHEAD WITH FIXED PARALLEL
BLADE**

D646,747 S *	10/2011	Samona	D22/115
8,062,155 B2 *	11/2011	Butcher	473/582
2007/0037640 A1 *	2/2007	Rager	473/578
2009/0233742 A1 *	9/2009	Sanford	473/584
2010/0222164 A1 *	9/2010	Butcher	473/583

(75) Inventor: **Robert Butcher**, Flushing, MI (US)

(73) Assignee: **Eastman Outdoors, Inc.**, Flushing, MI (US)

* cited by examiner

(**) Term: **14 Years**

Primary Examiner — Michael A Pratt

(21) Appl. No.: **29/369,403**

(74) *Attorney, Agent, or Firm* — The Weintraub Group, P.L.C.

(22) Filed: **Sep. 8, 2010**

(57) **CLAIM**

The ornamental design for a broadhead with fixed parallel blade, as shown.

Related U.S. Application Data

(63) Continuation of application No. 12/713,694, filed on Feb. 26, 2010, now Pat. No. 8,167,748.

DESCRIPTION

(51) **LOC (9) Cl.** **22-01**

(52) **U.S. Cl.** **D22/107**

(58) **Field of Classification Search** D22/107, D22/115; 403/349; 43/6; 473/578, 582
See application file for complete search history.

FIG. 1 is a first perspective view of a broadhead with fixed parallel blade showing my new design;
FIG. 2 is a second perspective view thereof as seen from the opposite end of that of FIG. 1;
FIG. 3 is a first end view thereof;
FIG. 4 is a first side view thereof;
FIG. 5 is a top plan view thereof;
FIG. 6 is a second end view thereof as seen from the end 180° from that of FIG. 3;
FIG. 7 is a second side view as seen from the side opposite that of FIG. 4; and,
FIG. 8 is a bottom plan view thereof.

(56) **References Cited**

U.S. PATENT DOCUMENTS

D279,813 S *	7/1985	Palizzolo	D22/115
5,044,640 A *	9/1991	DelMonte et al.	473/584
D326,889 S *	6/1992	Garoutte	D22/115
D338,942 S *	8/1993	Giannetti	D22/115
5,931,751 A *	8/1999	Cooper	473/583
7,025,697 B2 *	4/2006	Mizek et al.	473/583
D583,897 S *	12/2008	Ward	D22/107

1 Claim, 3 Drawing Sheets

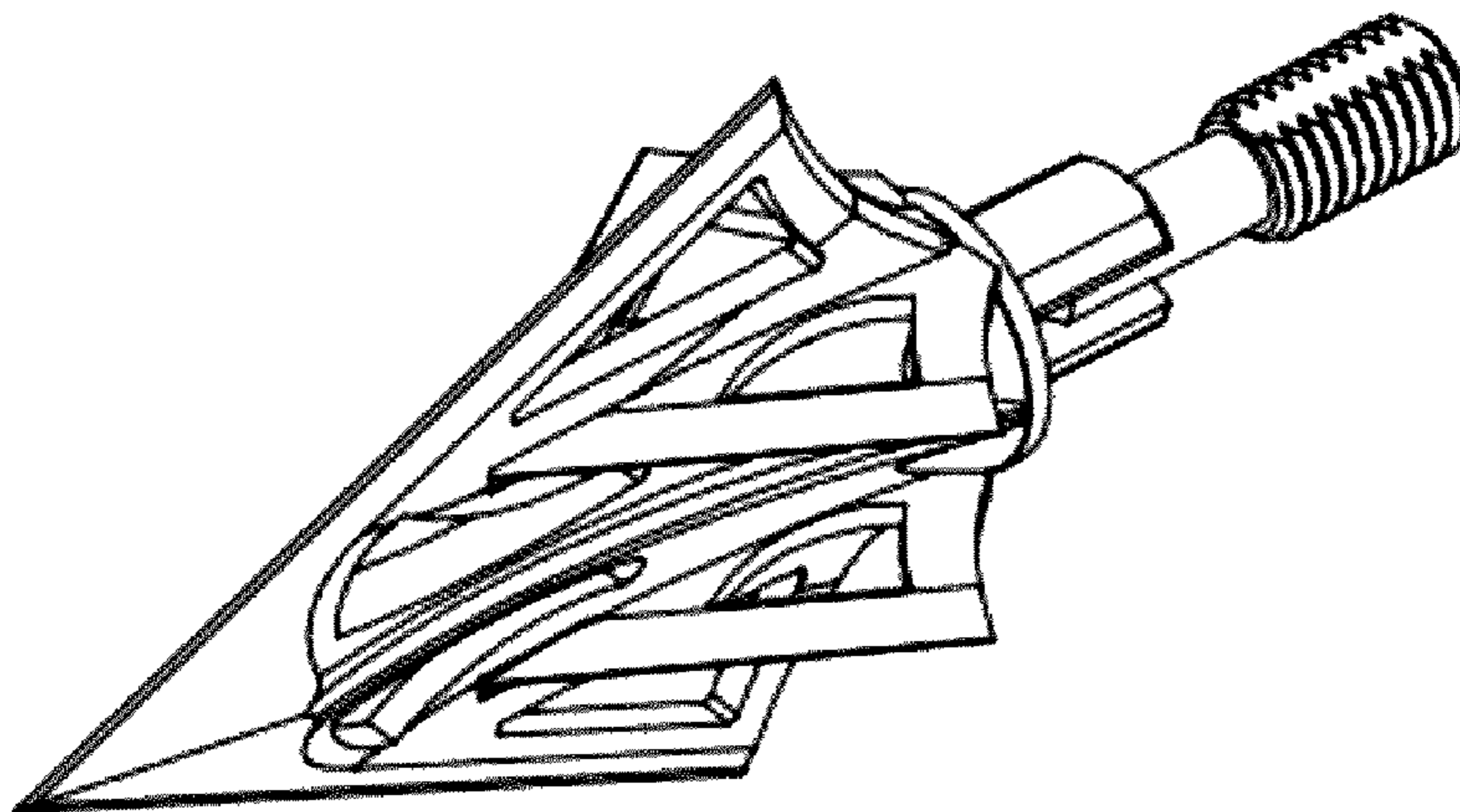


FIG 1

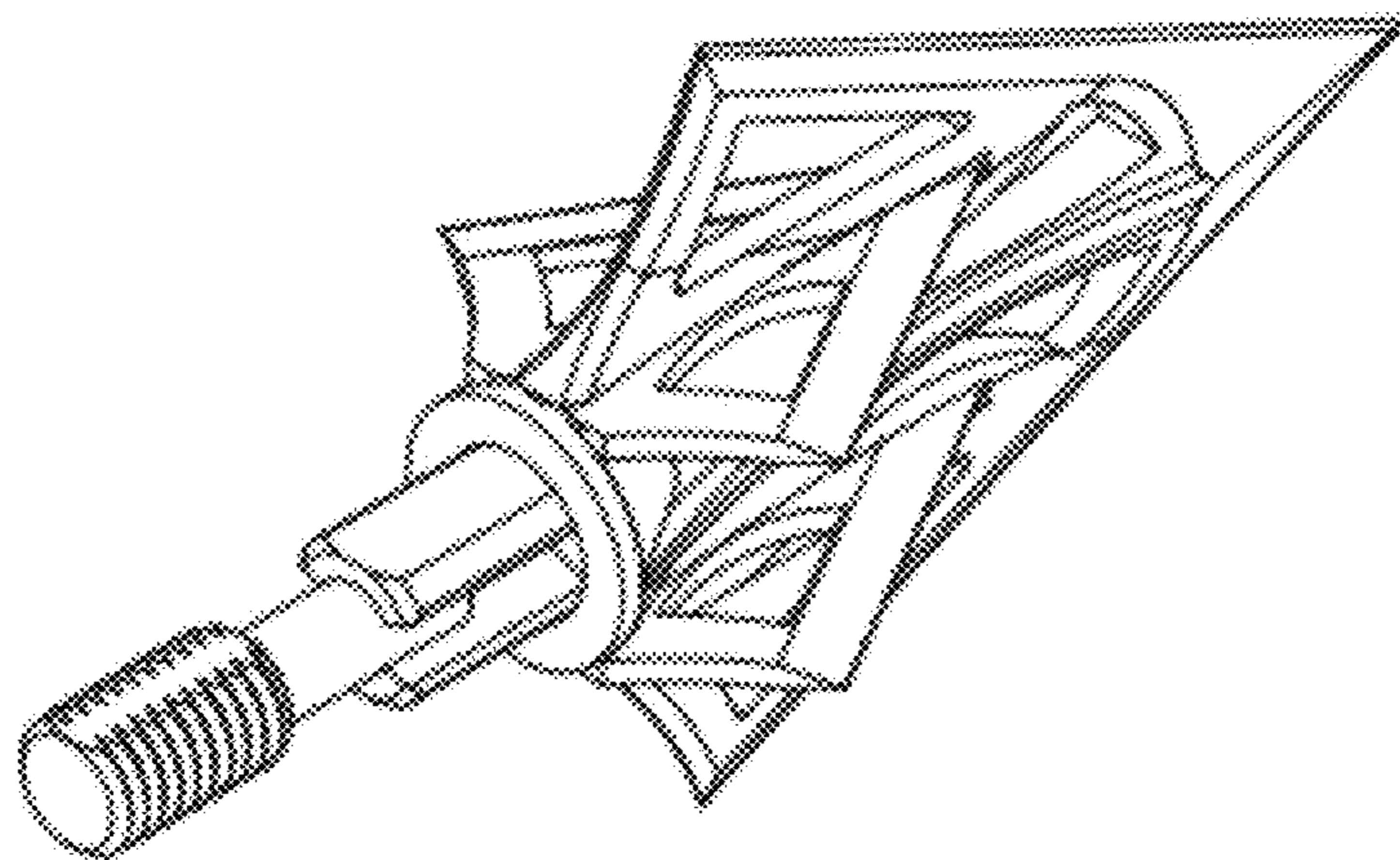
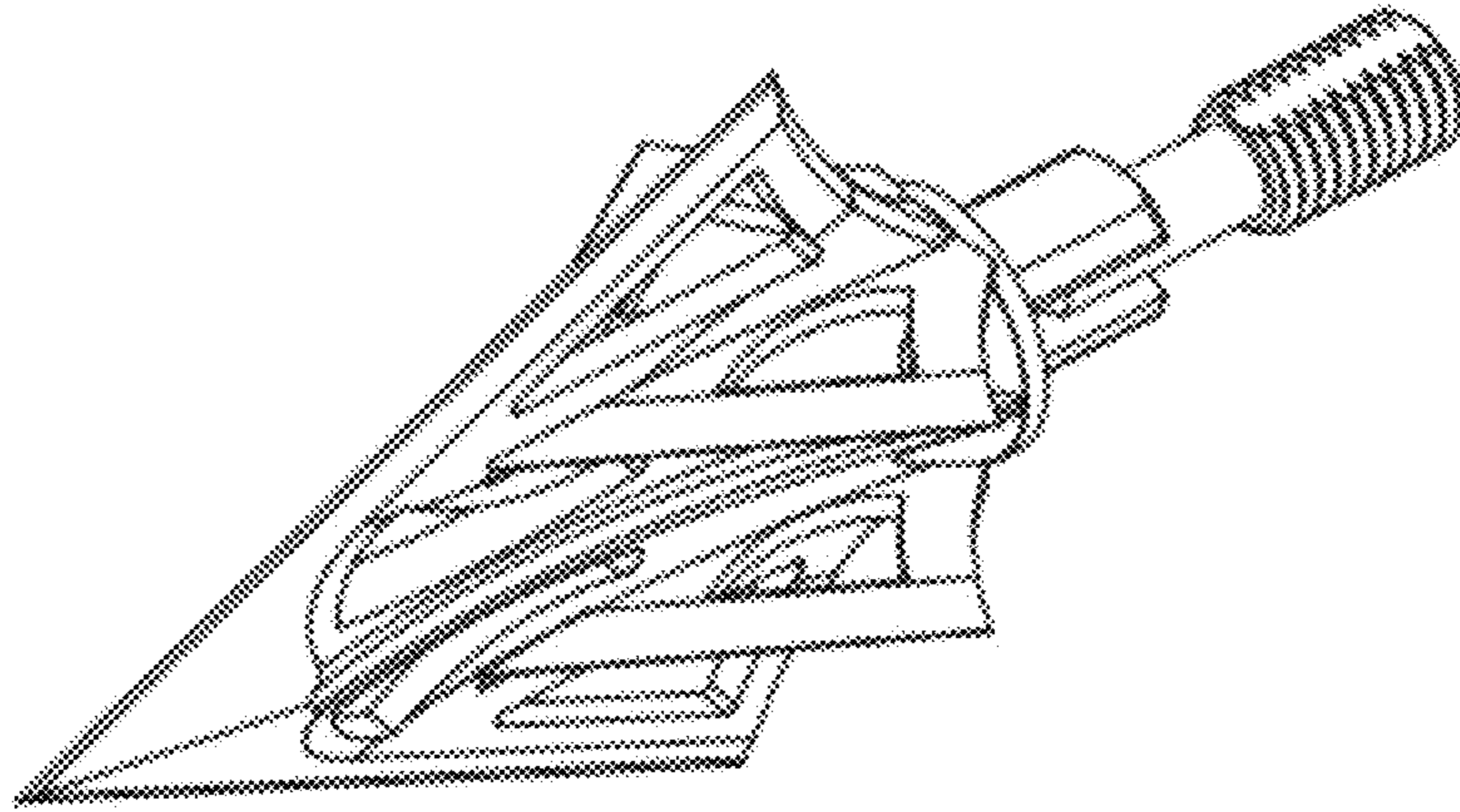


FIG 2

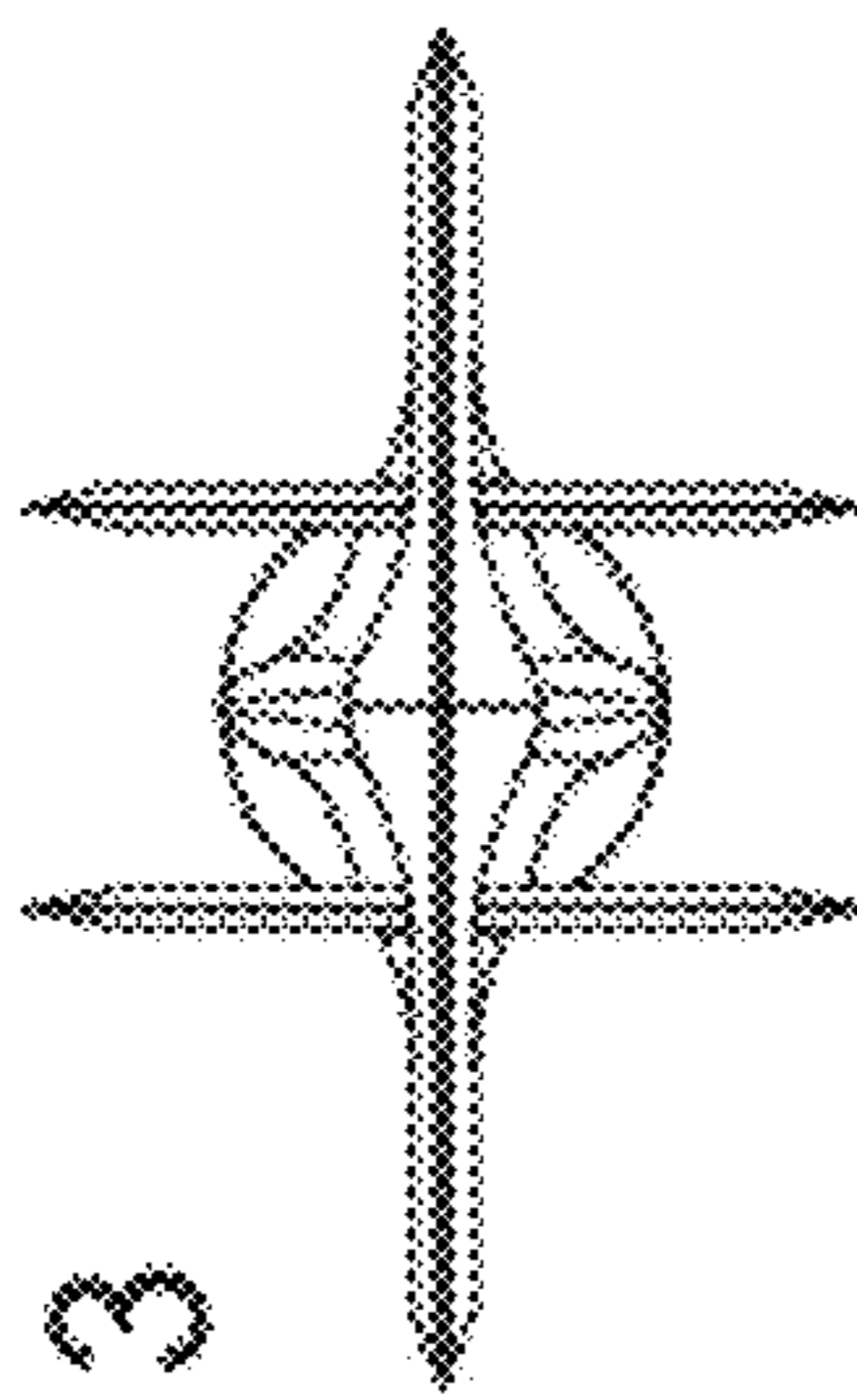
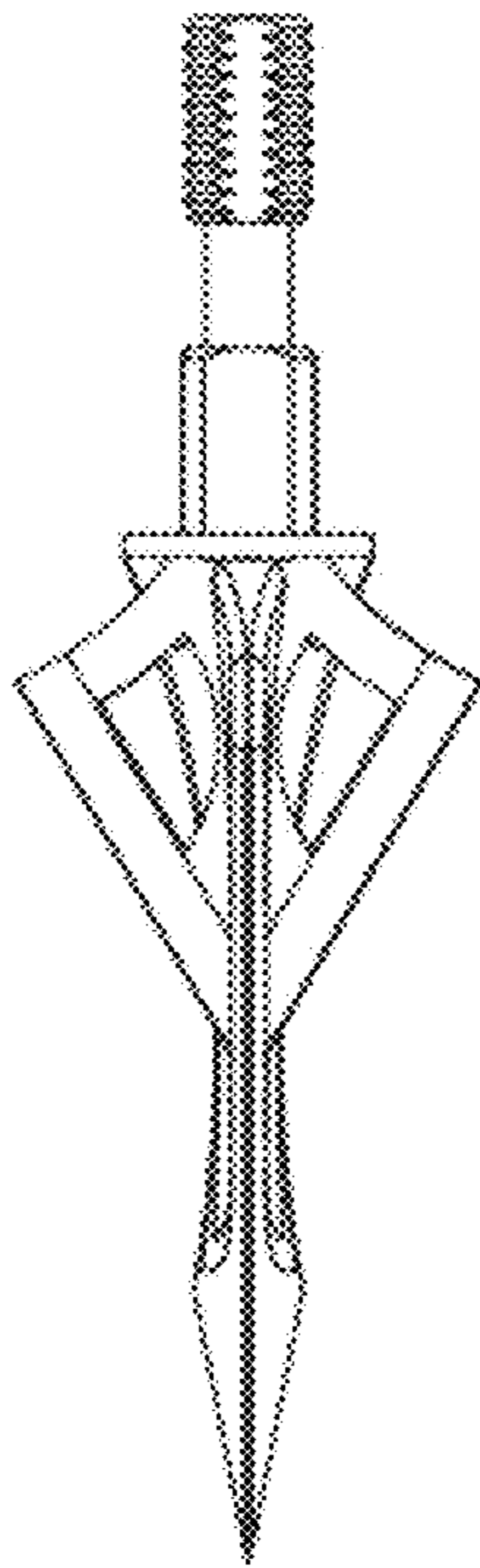


FIG 3

FIG 4

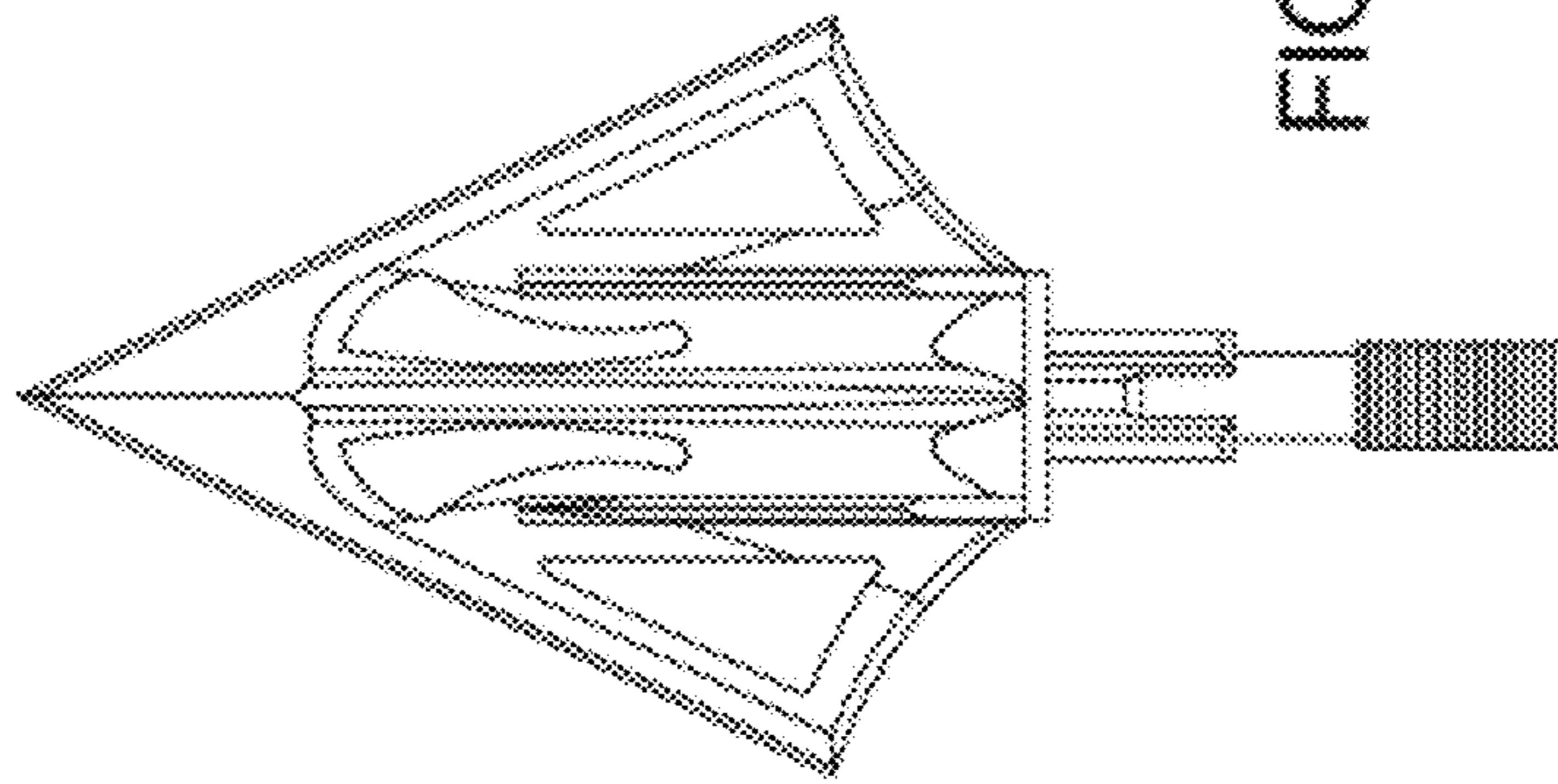


FIG 5

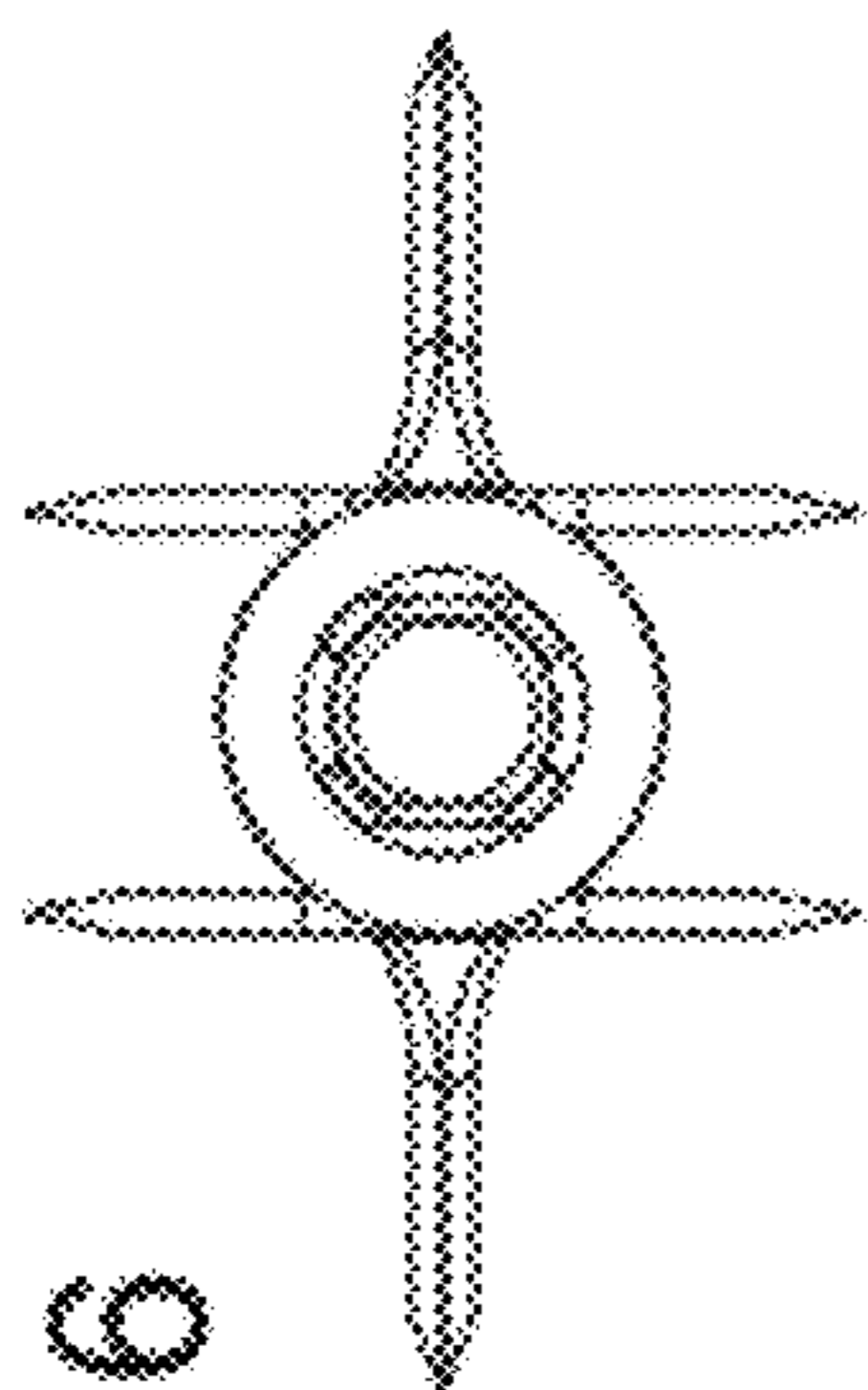
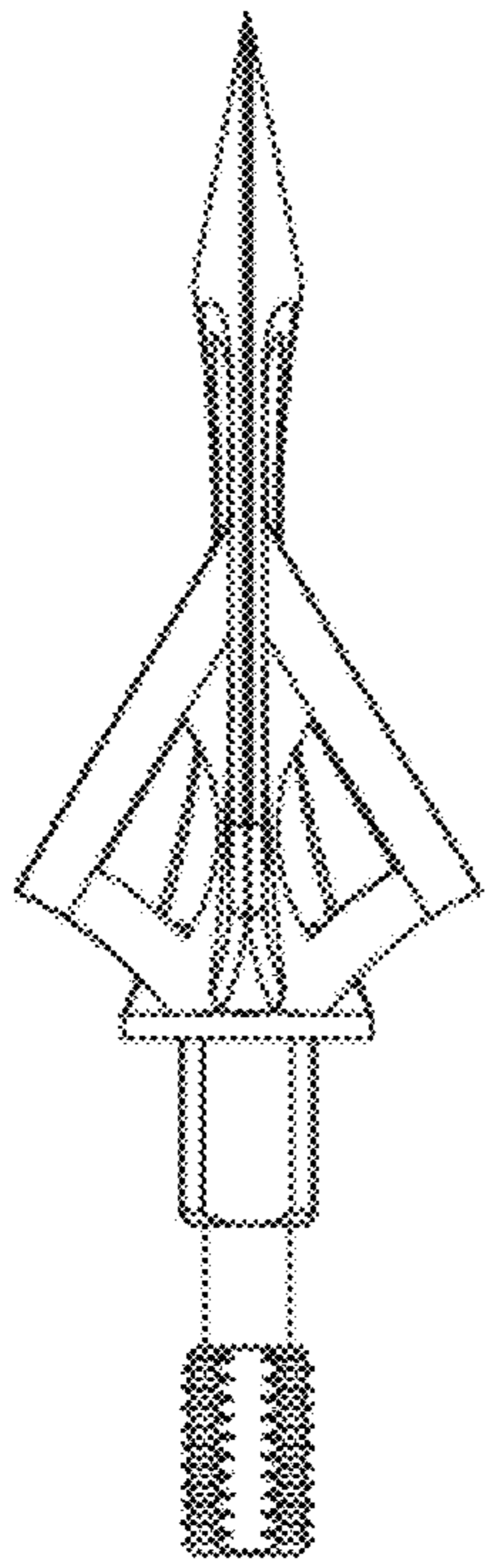


FIG 6

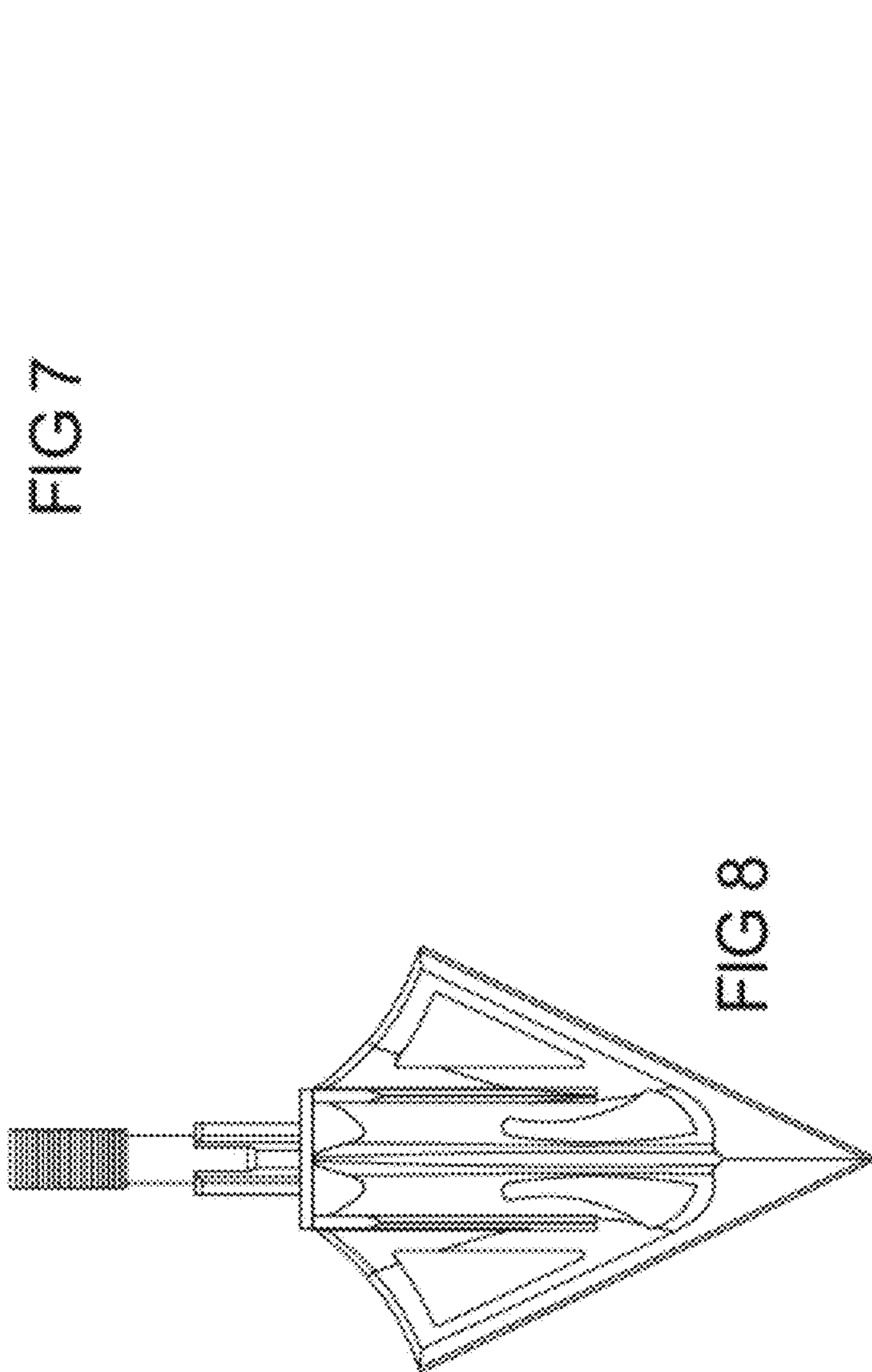


FIG 7

FIG 8