



US00D672832S

(12) **United States Design Patent**
Gerwig

(10) **Patent No.:** **US D672,832 S**

(45) **Date of Patent:** **** Dec. 18, 2012**

(54) **RESCUE LAUNCHER SYSTEM**

(76) Inventor: **Phillip L. Gerwig**, Perrysville, OH (US)

(**) Term: **14 Years**

(21) Appl. No.: **29/387,822**

(22) Filed: **Mar. 18, 2011**

(51) **LOC (9) Cl.** **22-01**

(52) **U.S. Cl.** **D22/103**

(58) **Field of Classification Search** D22/100-104;
124/56-61; 221/36-43

See application file for complete search history.

(56) **References Cited**

U.S. PATENT DOCUMENTS

5,584,736	A	12/1996	Salvemini	
5,690,524	A	11/1997	Salvemini	
5,706,795	A	1/1998	Gerwig	
5,895,300	A	4/1999	Borelli	
6,120,337	A	9/2000	Bautista Real et al.	
RE36,965	E	11/2000	Salvemini	
6,398,606	B1	6/2002	Borelli	
D504,489	S *	4/2005	Cerovic	D22/104
D508,277	S *	8/2005	Cerovic	D22/104
7,059,924	B2	6/2006	Farmer et al.	

7,306,501	B2	12/2007	Pierce, Jr. et al.	
D630,290	S *	1/2011	Velasquez et al.	D22/104
D637,680	S *	5/2011	Peterson et al.	D22/108

OTHER PUBLICATIONS

Owner's Manual Float-Tech Model Number(s) OGFT-AR5-1,2,3,4,5,6,7, 90-00001-2 rev c 1-04-05, Float-Tech Inc., Troy, New York, USA.

Operation Manual ALM Assault Launcher Max, 2002, Rescue Solutions International, Inc., Vista, California, USA.

* cited by examiner

Primary Examiner — Michael A Pratt

(74) *Attorney, Agent, or Firm* — Porter, Wright, Morris & Arthur, LLP

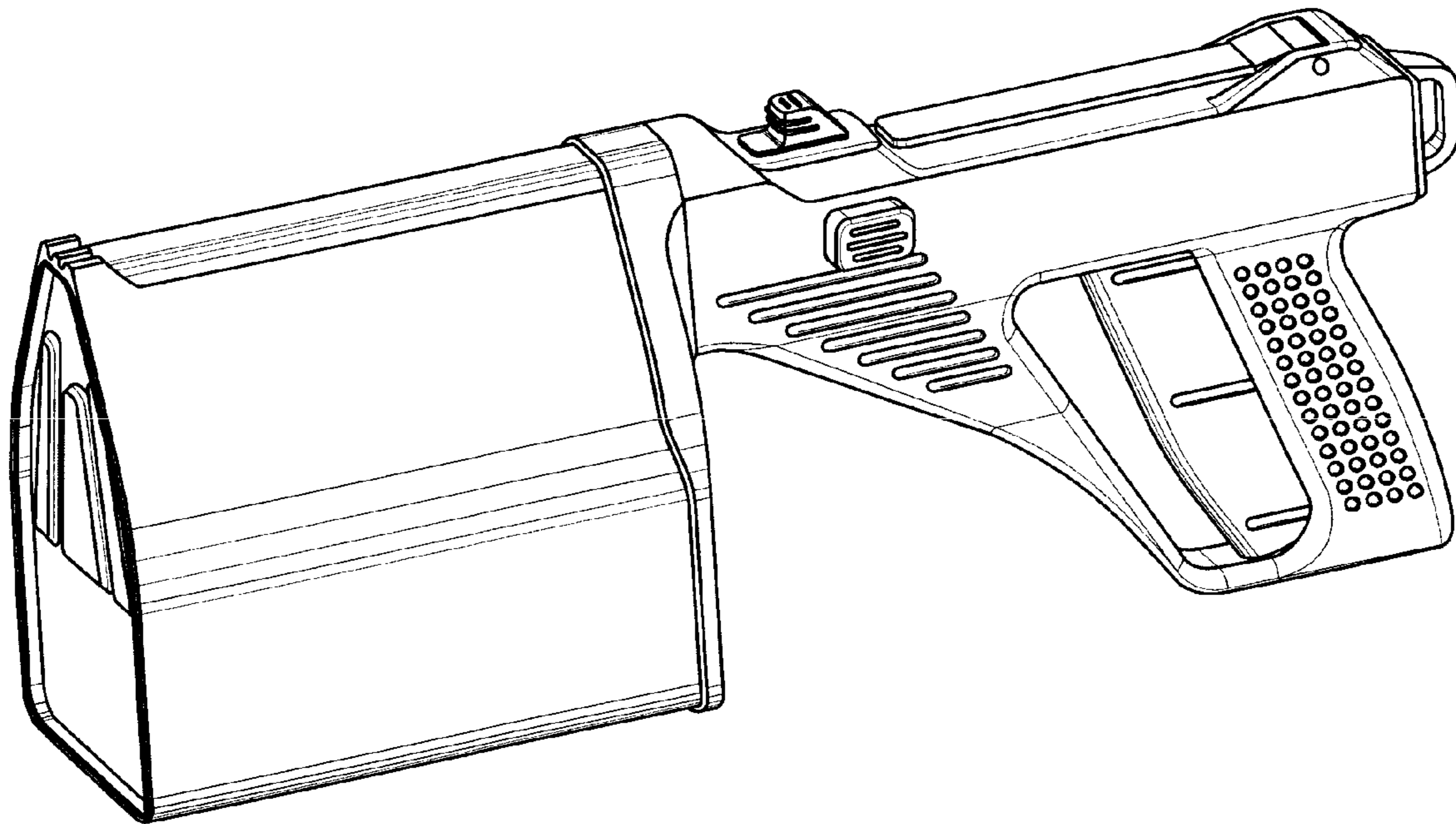
(57) **CLAIM**

The ornamental design for a rescue launcher system, as shown and described.

DESCRIPTION

FIG. 1 is a perspective view of a rescue launcher system according to my new design;
FIG. 2 is a left side view thereof;
FIG. 3 is a right side view thereof;
FIG. 4 is a top view thereof;
FIG. 5 is a bottom view thereof;
FIG. 6 is a front view thereof; and,
FIG. 7 is a rear view thereof.

1 Claim, 5 Drawing Sheets



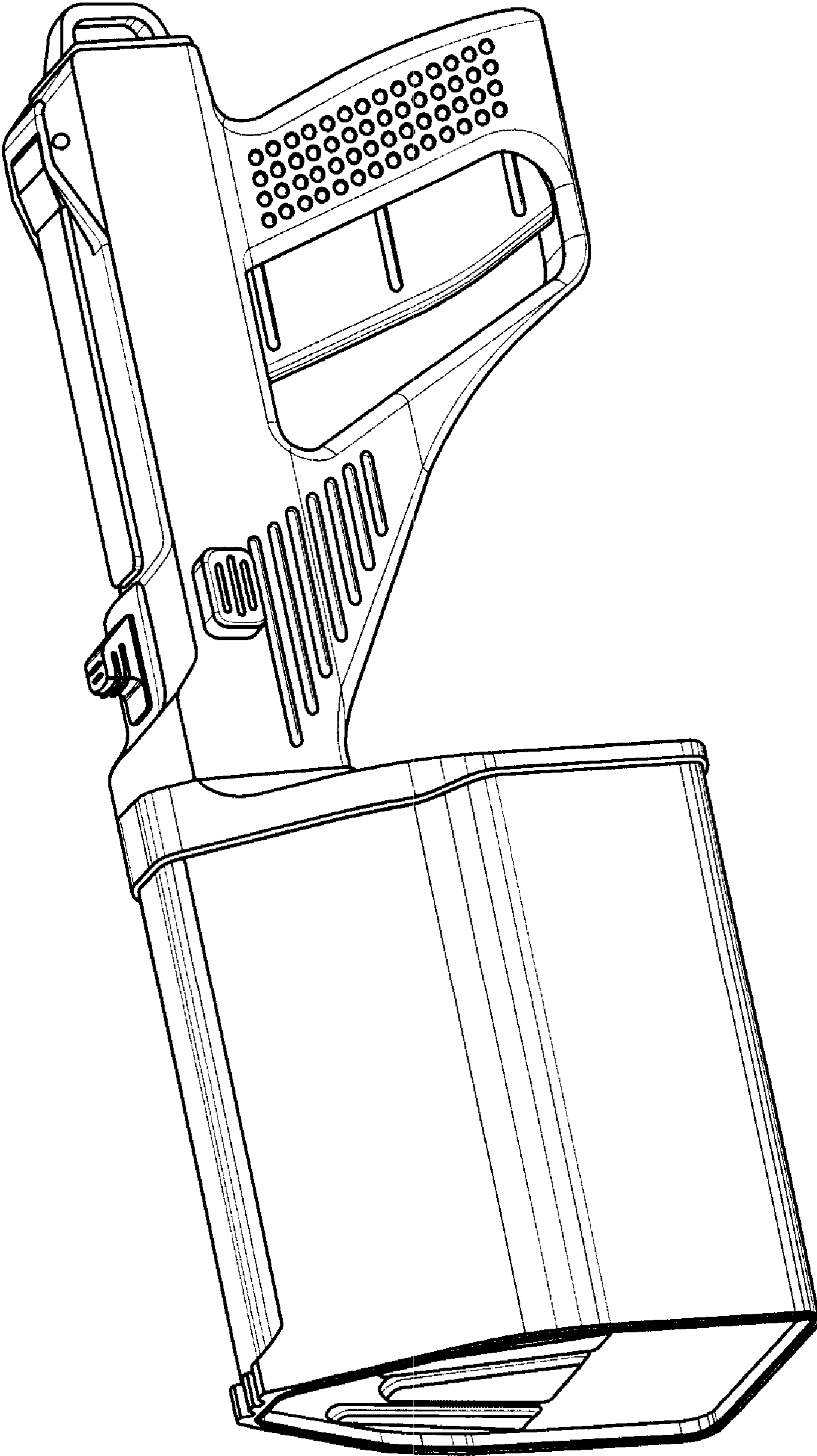


Fig. 1

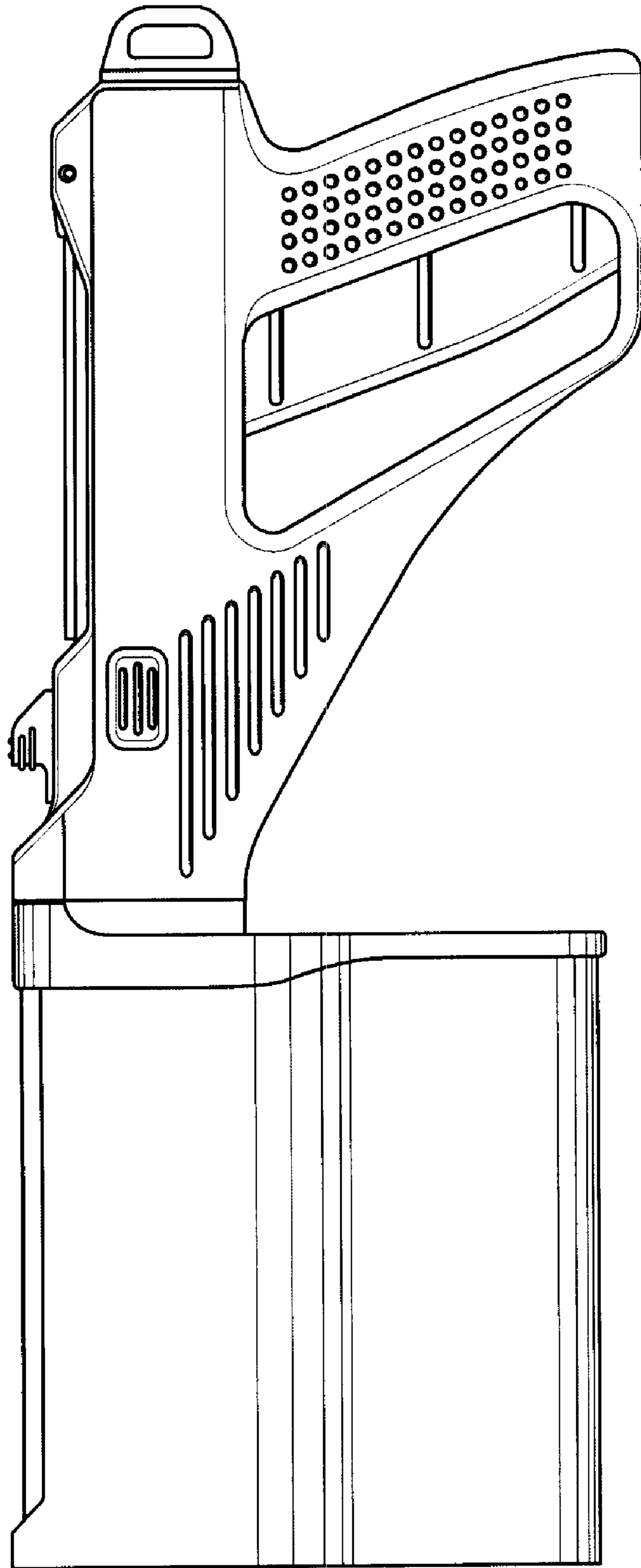


Fig. 2

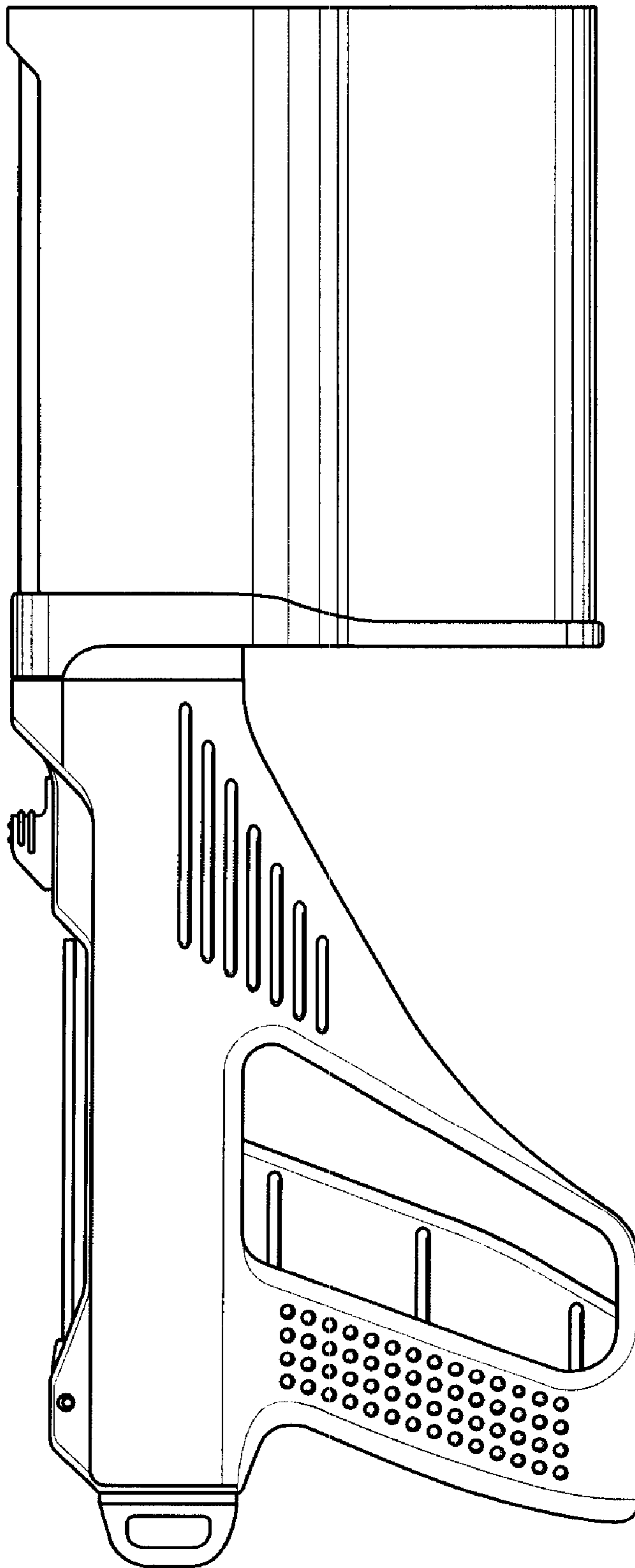


Fig. 3

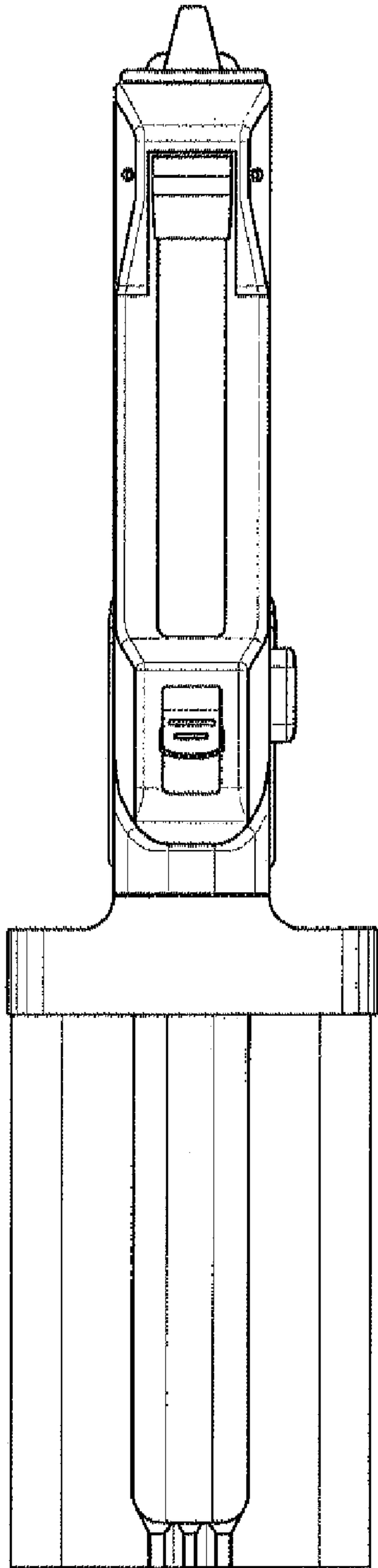


Fig. 4

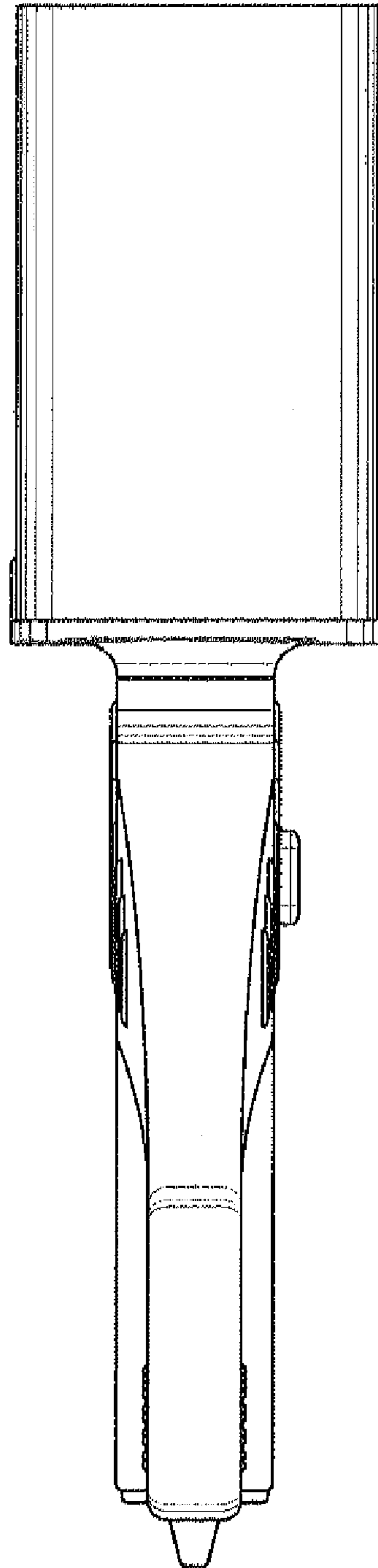


Fig. 5

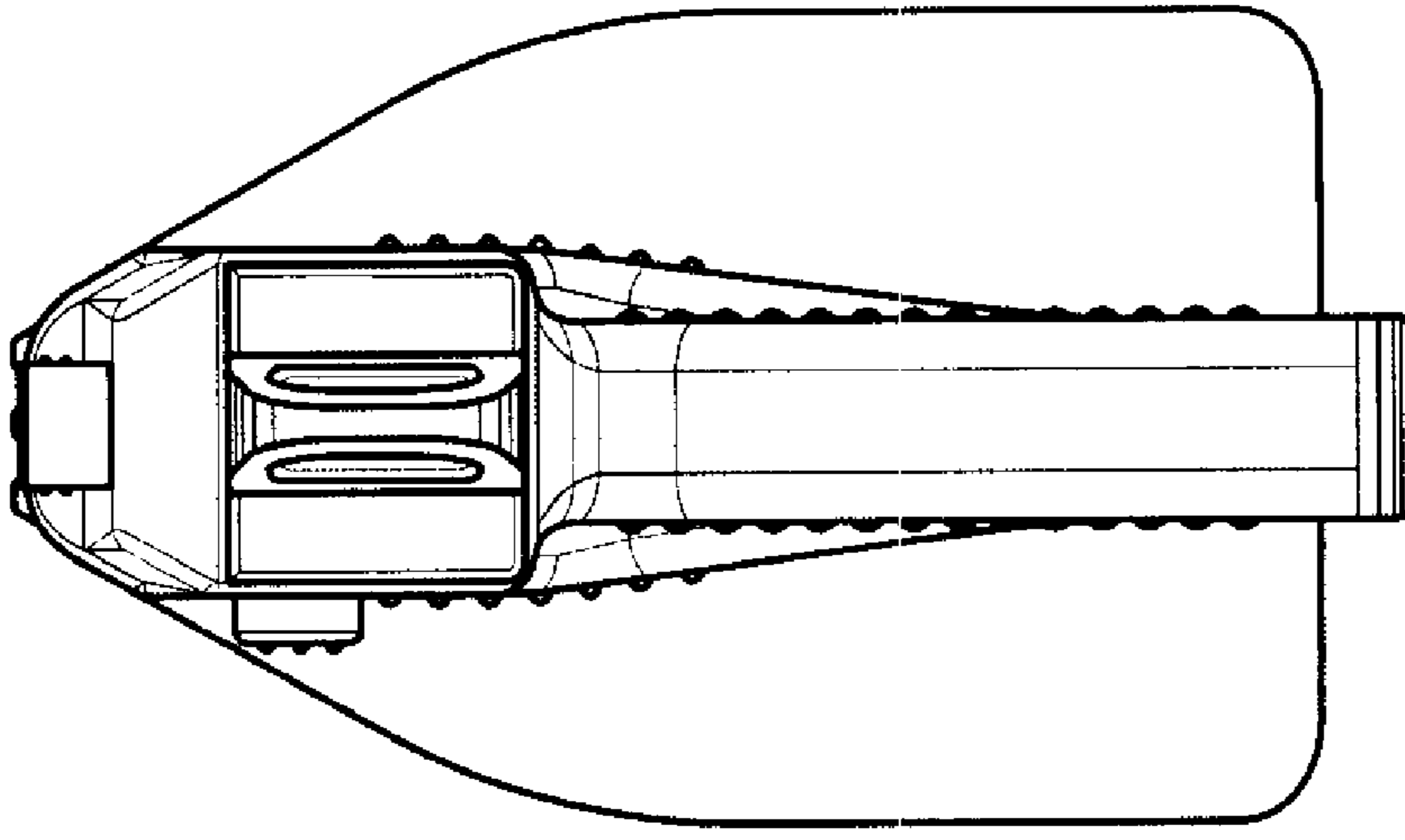


Fig. 6

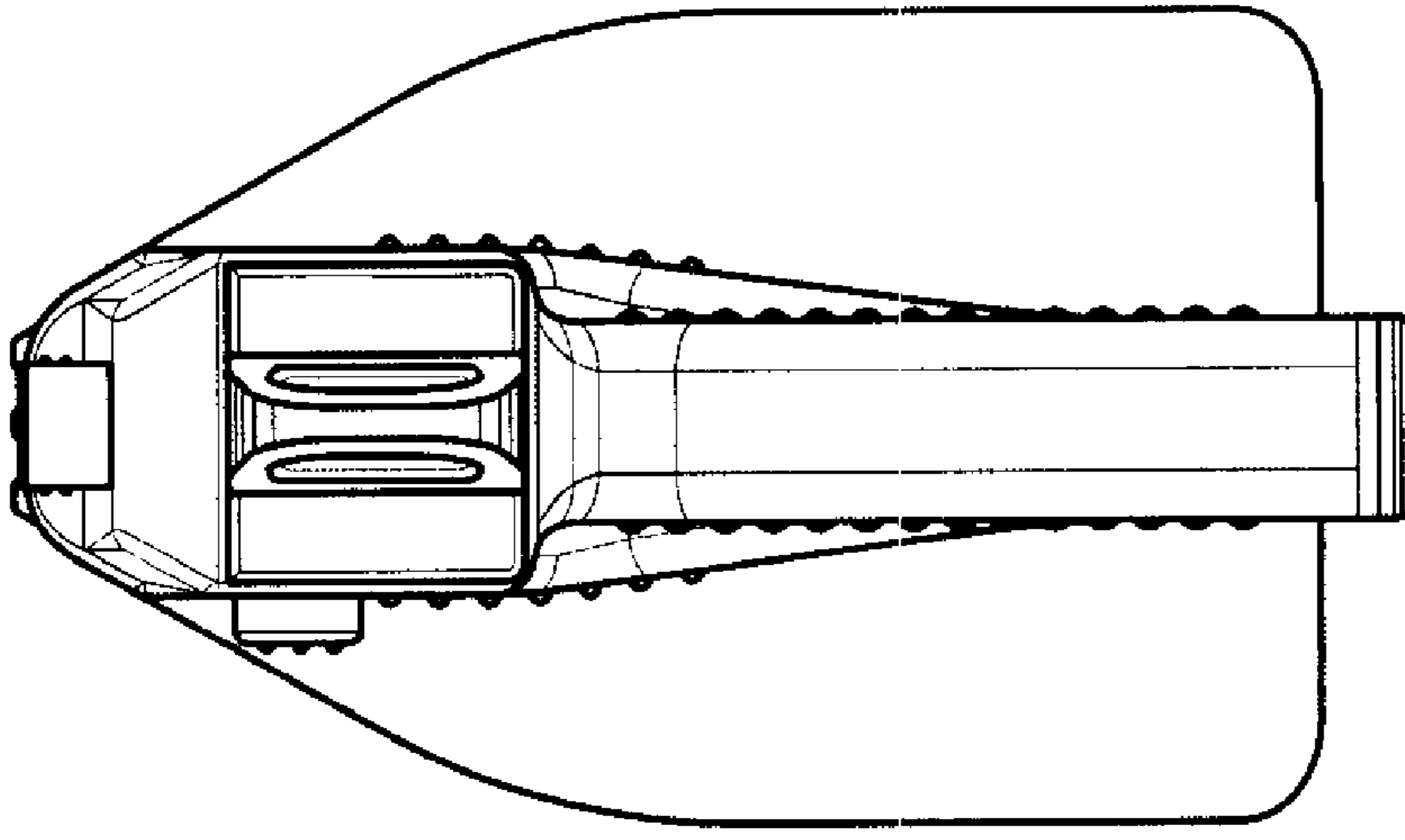


Fig. 7