



US00D672830S

(12) **United States Design Patent**
Voshall et al.

(10) **Patent No.:** **US D672,830 S**

(45) **Date of Patent:** **** Dec. 18, 2012**

(54) **IRON-TYPE GOLF CLUB**

D473,605 S * 4/2003 Petersen et al. D21/747
D523,501 S * 6/2006 Nicolette et al. D21/749
D663,369 S * 7/2012 Foster D21/749

(75) Inventors: **Chris Voshall**, Atlanta, GA (US);
Richard Delvac, Lawrenceville, GA
(US); **Kazuhiko Natori**, Osaka (JP)

* cited by examiner

(73) Assignee: **Mizuno USA Inc.**, Norcross, GA (US)

Primary Examiner — Mitchell Siegel

(**) Term: **14 Years**

(74) *Attorney, Agent, or Firm* — Troutman Sanders LLP;
James E. Schutz; Robert R. Elliott, Jr.

(21) Appl. No.: **29/407,990**

(57) **CLAIM**

The ornamental design for a iron-type golf club, as shown and described.

(22) Filed: **Dec. 6, 2011**

DESCRIPTION

(51) **LOC (9) Cl.** **21-02**

(52) **U.S. Cl.** **D21/759**

(58) **Field of Classification Search** D21/747–751,
D21/759; 473/324–339, 350
See application file for complete search history.

FIG. 1 illustrates a right, rear perspective view of an iron-type golf club head;

FIG. 2 illustrates a left, rear perspective view of an iron-type golf club head; and,

FIG. 3 illustrates another right, rear perspective view of an iron-type golf club head.

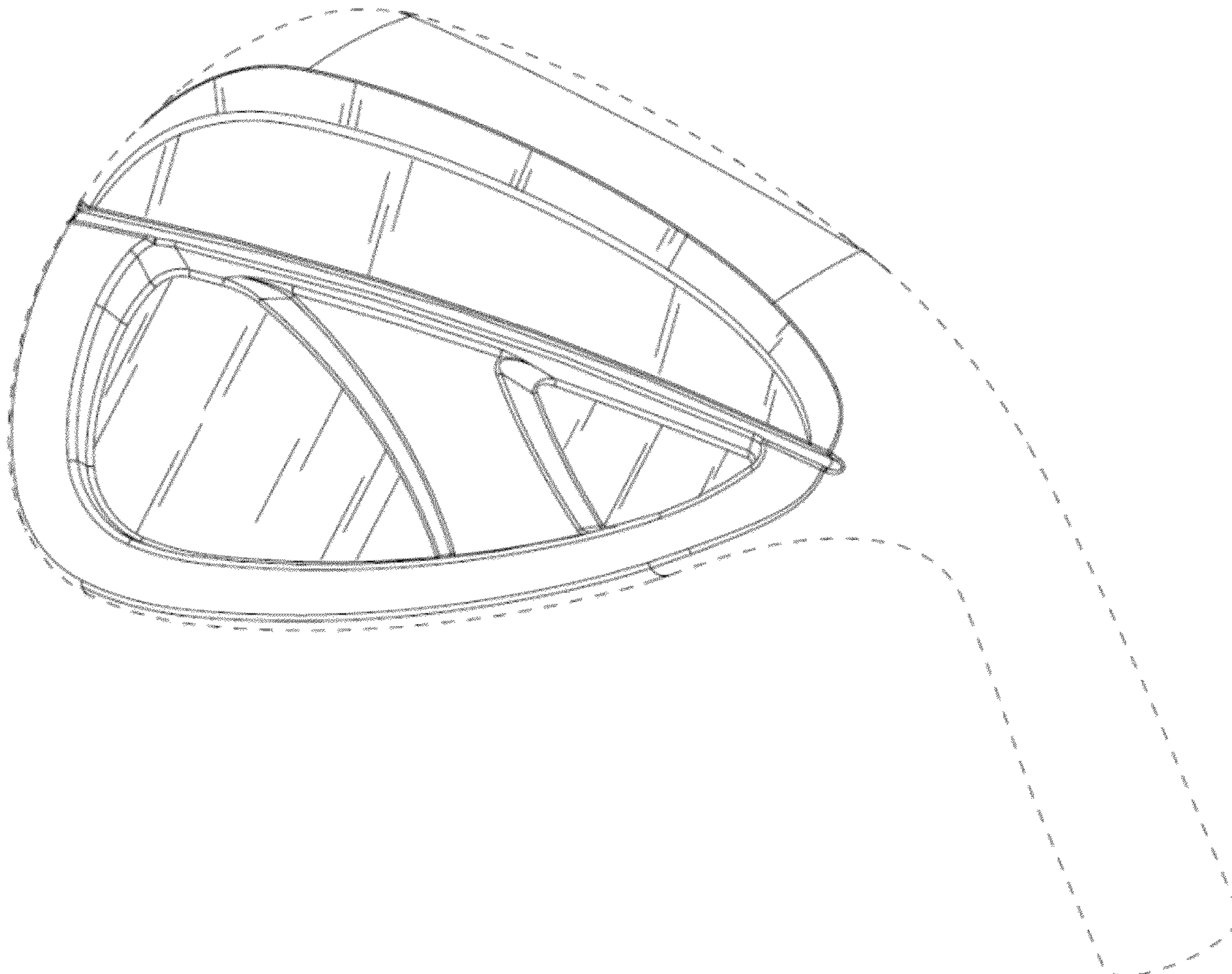
The broken line showing is included for the purpose of illustrating and forms no part of the claimed design.

(56) **References Cited**

U.S. PATENT DOCUMENTS

5,290,032 A * 3/1994 Fenton et al. 473/332
D454,932 S * 3/2002 Mahaffey et al. D21/747

1 Claim, 3 Drawing Sheets



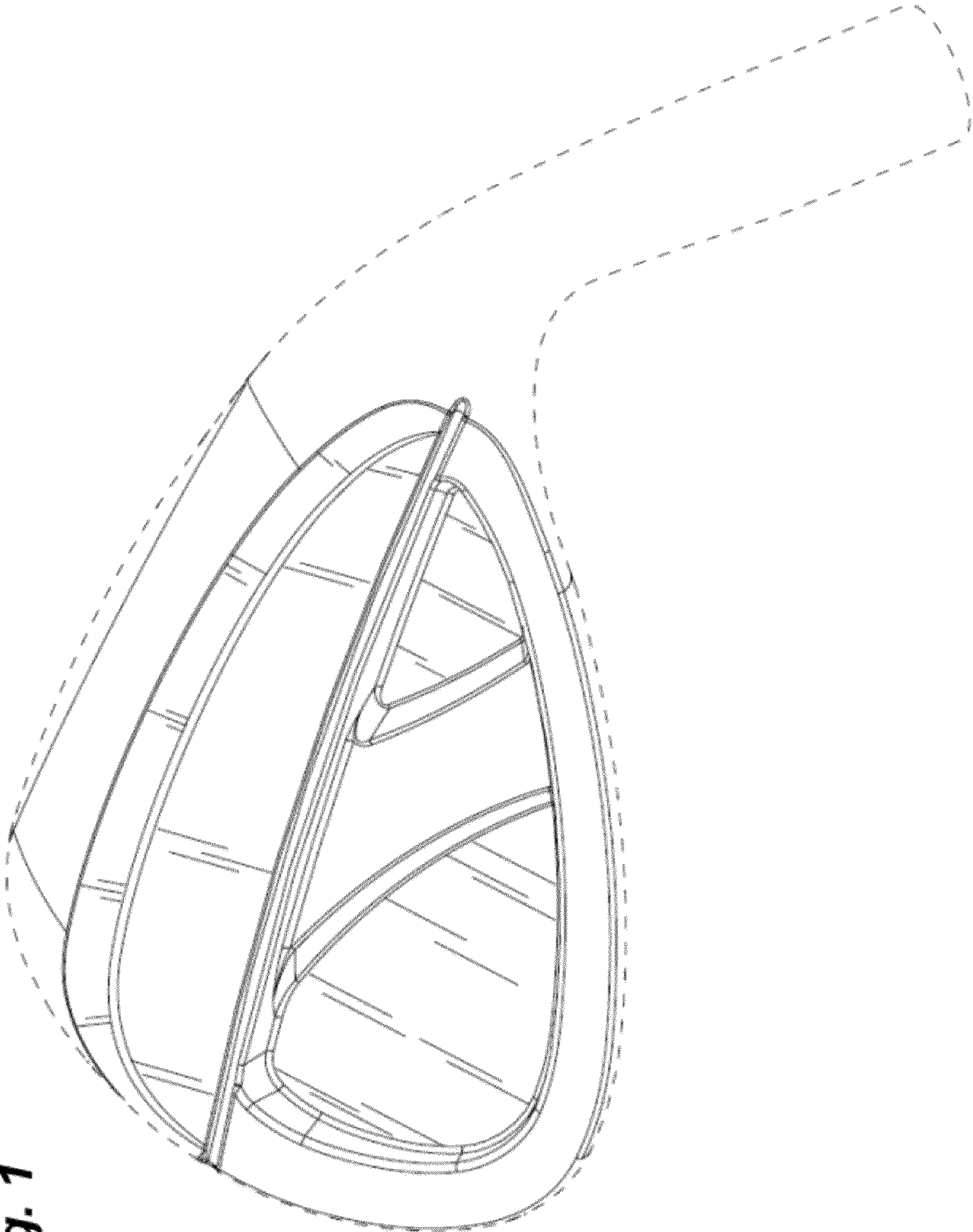


Fig. 1

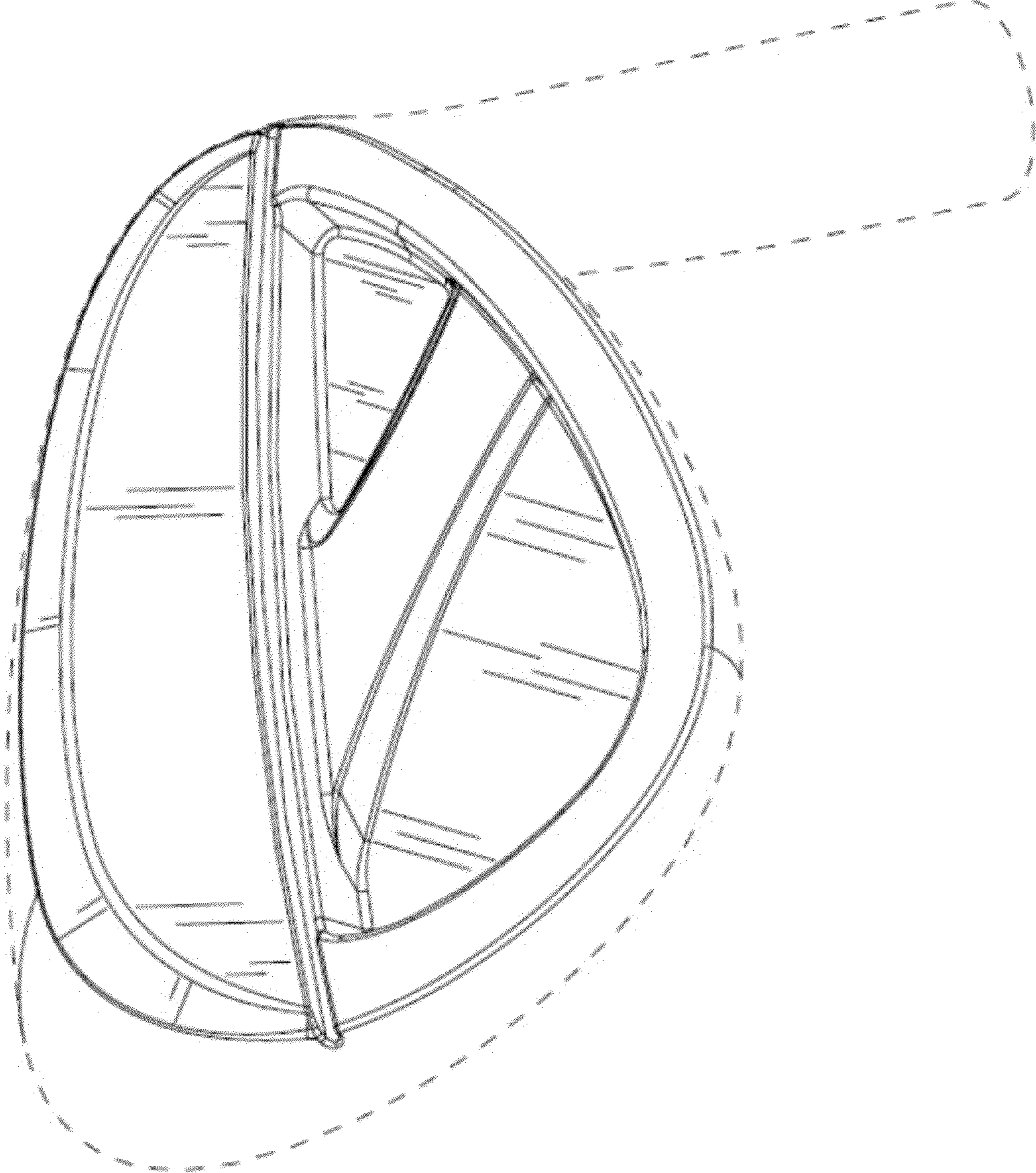


Fig. 2

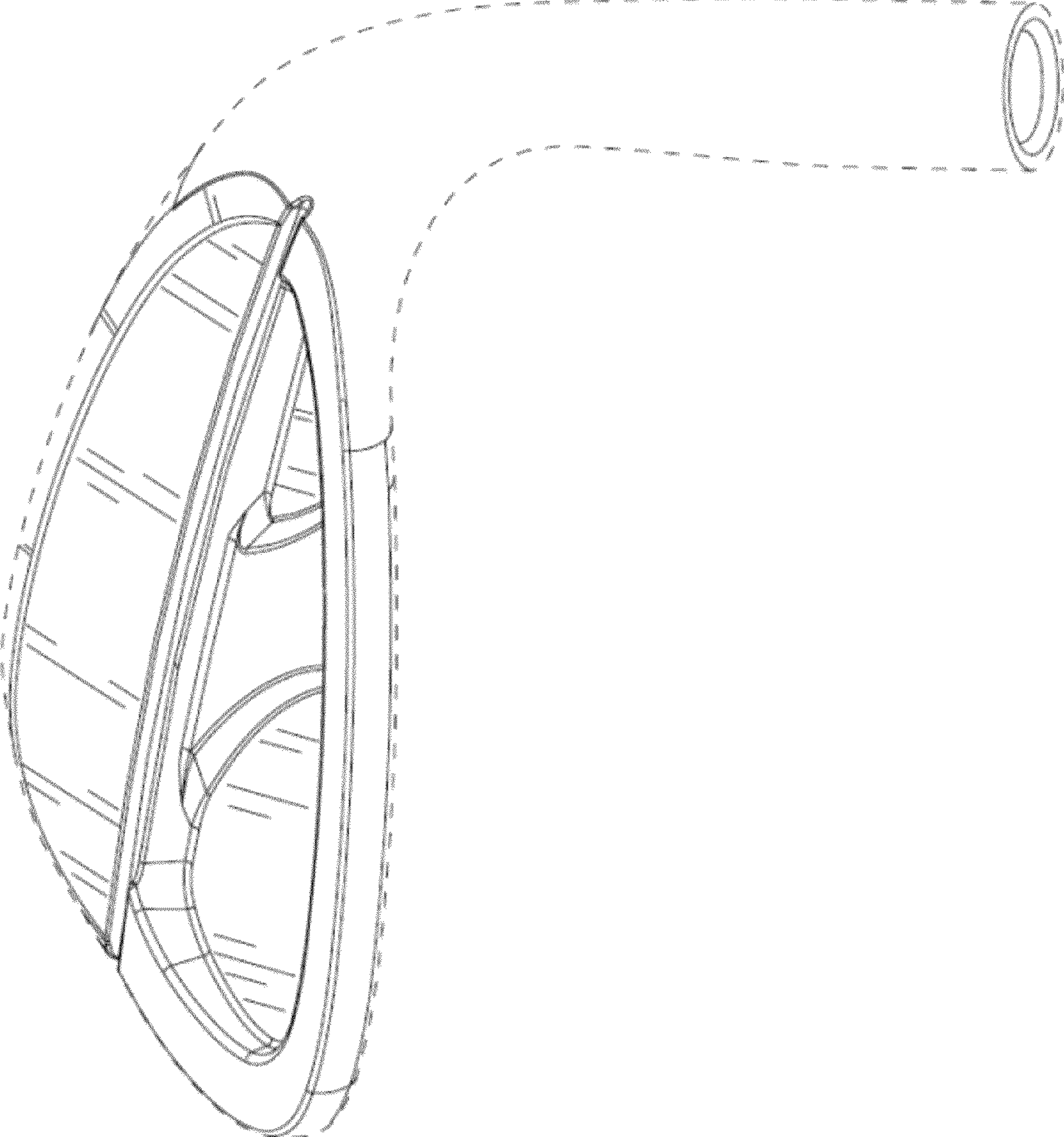


Fig. 3