



US00D672829S

(12) **United States Design Patent**
Pfaff et al.

(10) **Patent No.:** **US D672,829 S**

(45) **Date of Patent:** **** Dec. 18, 2012**

(54) **GOLF PUTTER HEAD WITH SPRING
LOADED Mallet**

(75) Inventors: **Wayne K. Pfaff**, Irving, TX (US); **David
W. Pfaff**, Irving, TX (US)

(73) Assignee: **Plastronics Socket Partners, Ltd.**,
Irving, TX (US)

(**) Term: **14 Years**

(21) Appl. No.: **29/408,739**

(22) Filed: **Dec. 15, 2011**

(51) **LOC (9) Cl.** **21-02**

(52) **U.S. Cl.** **D21/736**

(58) **Field of Classification Search** D21/736-746,
D21/759; 473/324-331, 340-341, 251-256
See application file for complete search history.

(56) **References Cited**

U.S. PATENT DOCUMENTS

D185,522	S	*	6/1959	Whitney	D21/741
3,758,115	A	*	9/1973	Hoglund	473/255
D324,250	S	*	2/1992	Magness	D21/741
5,131,660	A	*	7/1992	Marocco	473/220
D354,535	S	*	1/1995	Queen	D21/743
D385,321	S	*	10/1997	Quattrochi	D21/741
5,700,207	A	*	12/1997	Guthrie et al.	473/341
D410,055	S	*	5/1999	Loop	D21/736
D497,401	S	*	10/2004	Zimmerman	D21/736
D497,402	S	*	10/2004	Moore	D21/736

D500,539	S	*	1/2005	Holloway	D21/736
D502,518	S	*	3/2005	Smart	D21/736
D509,865	S	*	9/2005	Blancher	D21/736
D513,049	S	*	12/2005	Hendrick	D21/743
D516,149	S	*	2/2006	Gibson	D21/742
D617,857	S	*	6/2010	Sones	D21/746

* cited by examiner

Primary Examiner — Mitchell Siegel

(74) *Attorney, Agent, or Firm* — Mark W Handley

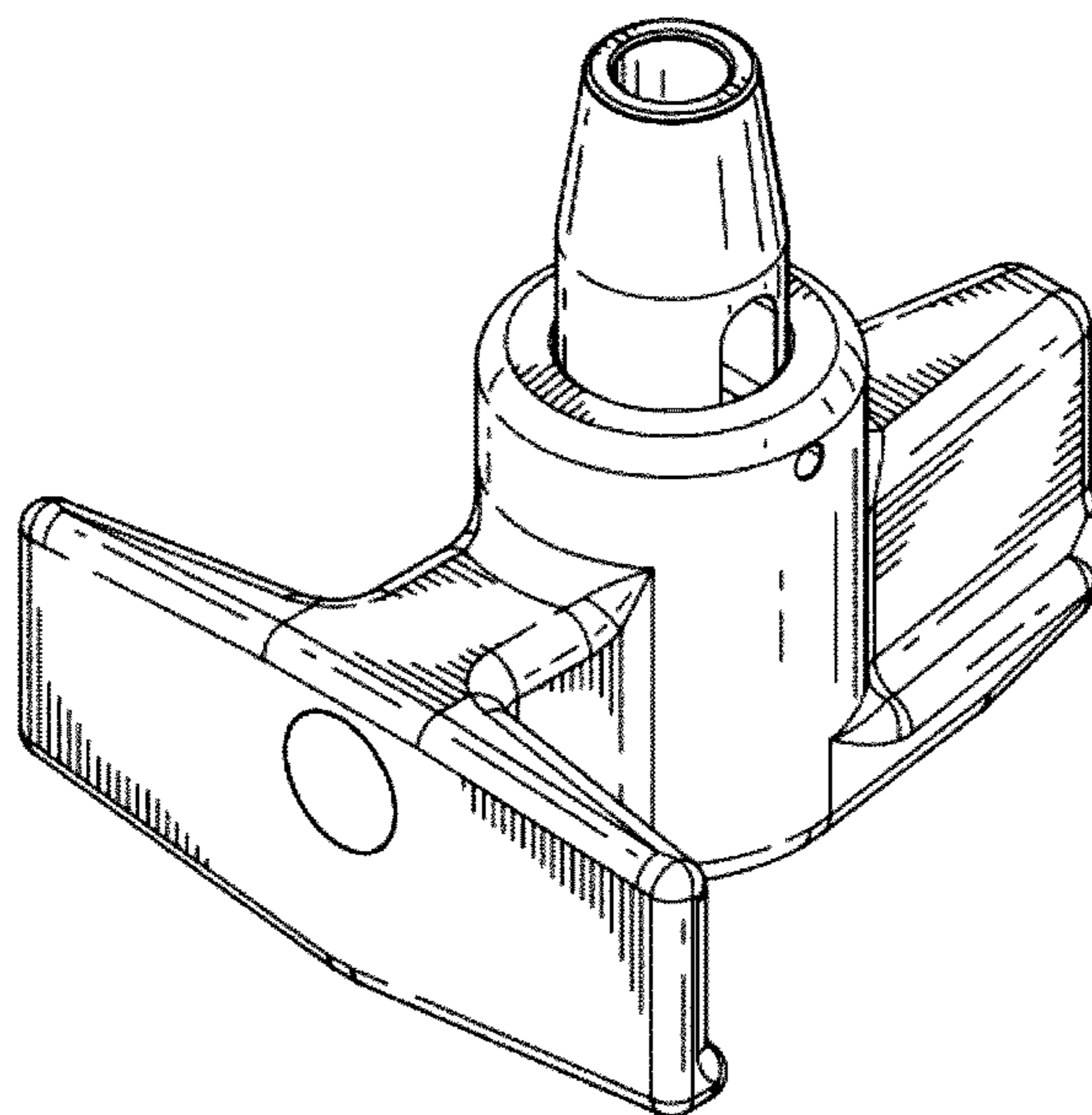
(57) **CLAIM**

The ornamental design for an golf putter head with spring loaded mallet, as shown and described.

DESCRIPTION

FIG. 1 is a perspective view of a golf putter head with spring loaded mallet embodying our design;
 FIG. 2 is a front view of the golf putter head with spring loaded mallet;
 FIG. 3 is a rear view of the golf putter head with spring loaded mallet;
 FIG. 4 is a right side view of the golf putter head with spring loaded mallet;
 FIG. 5 is a left side view of the golf putter head with spring loaded mallet;
 FIG. 6 is a top view of the golf putter head with spring loaded mallet; and,
 FIG. 7 is a bottom view of the golf putter head with spring loaded mallet.

1 Claim, 4 Drawing Sheets



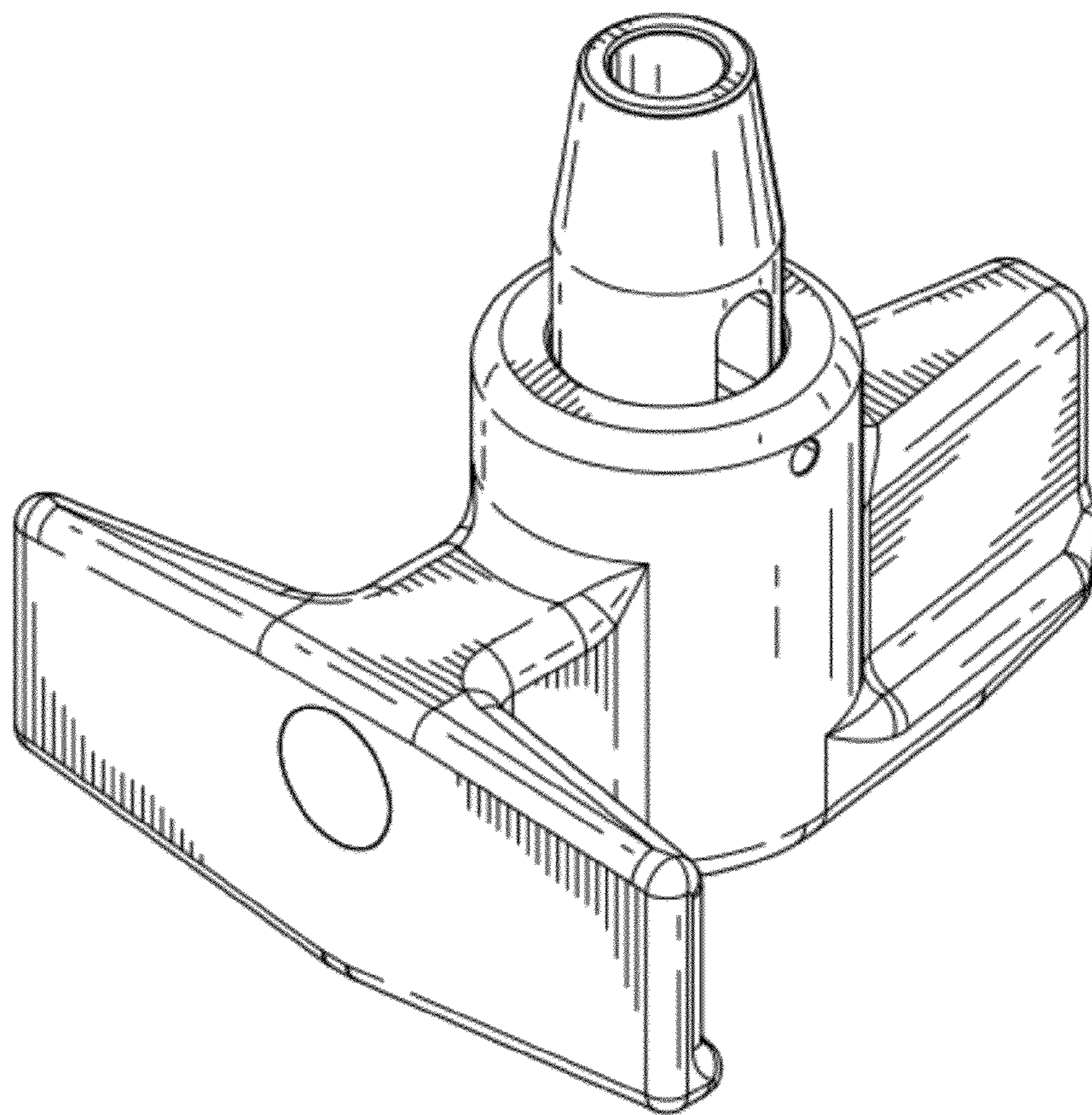


FIG. 1

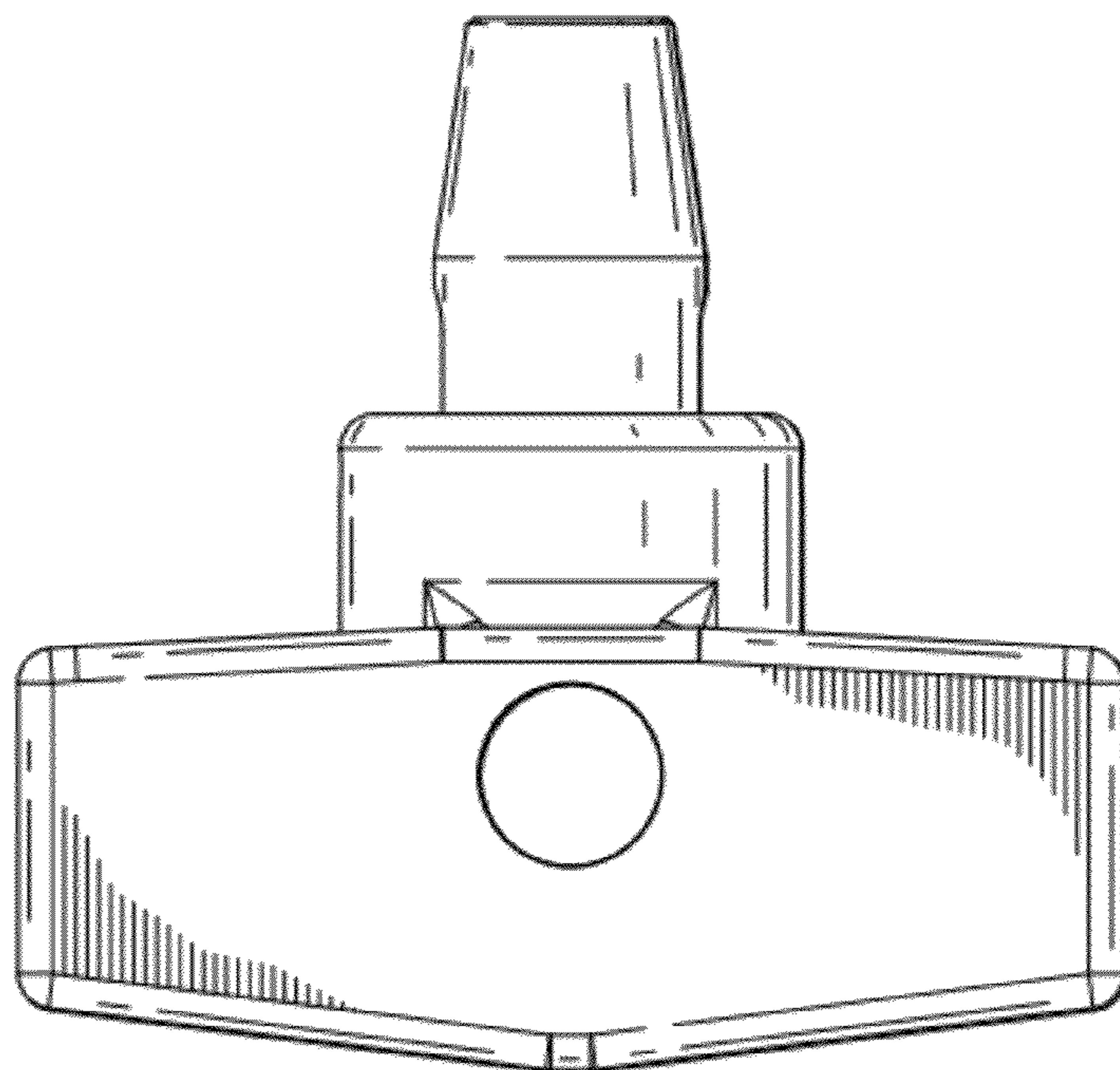


FIG. 2

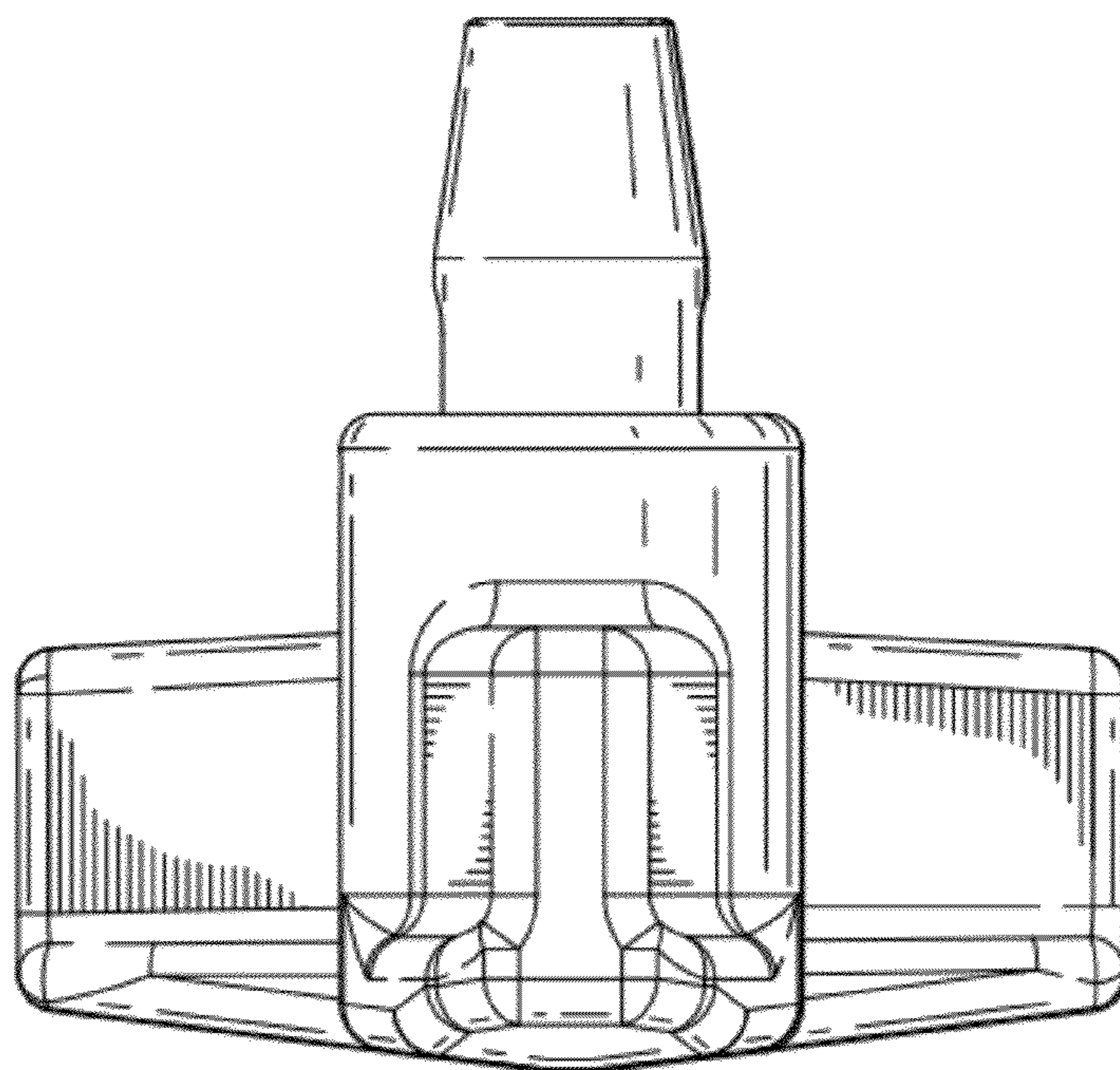


FIG. 3

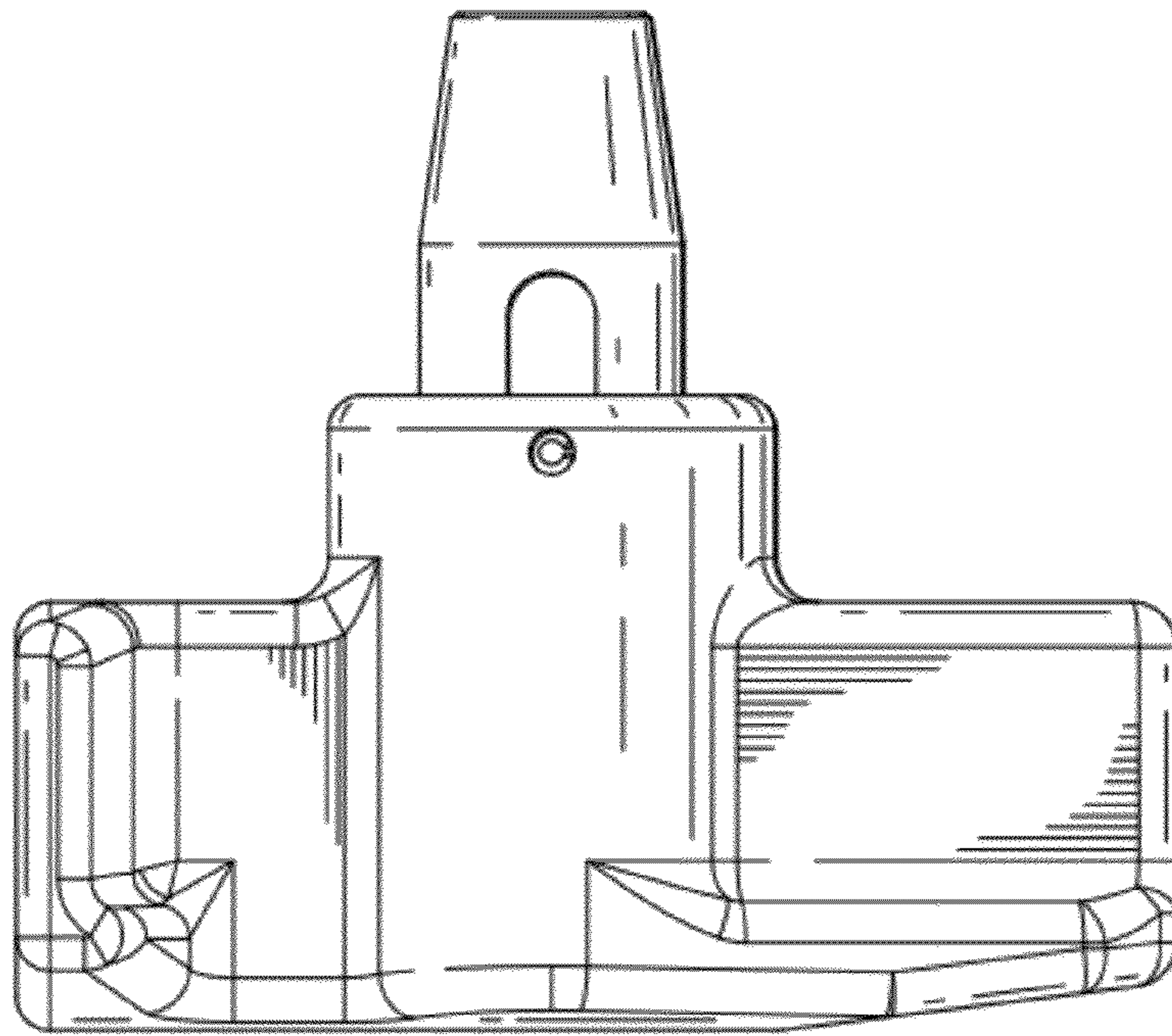


FIG. 4

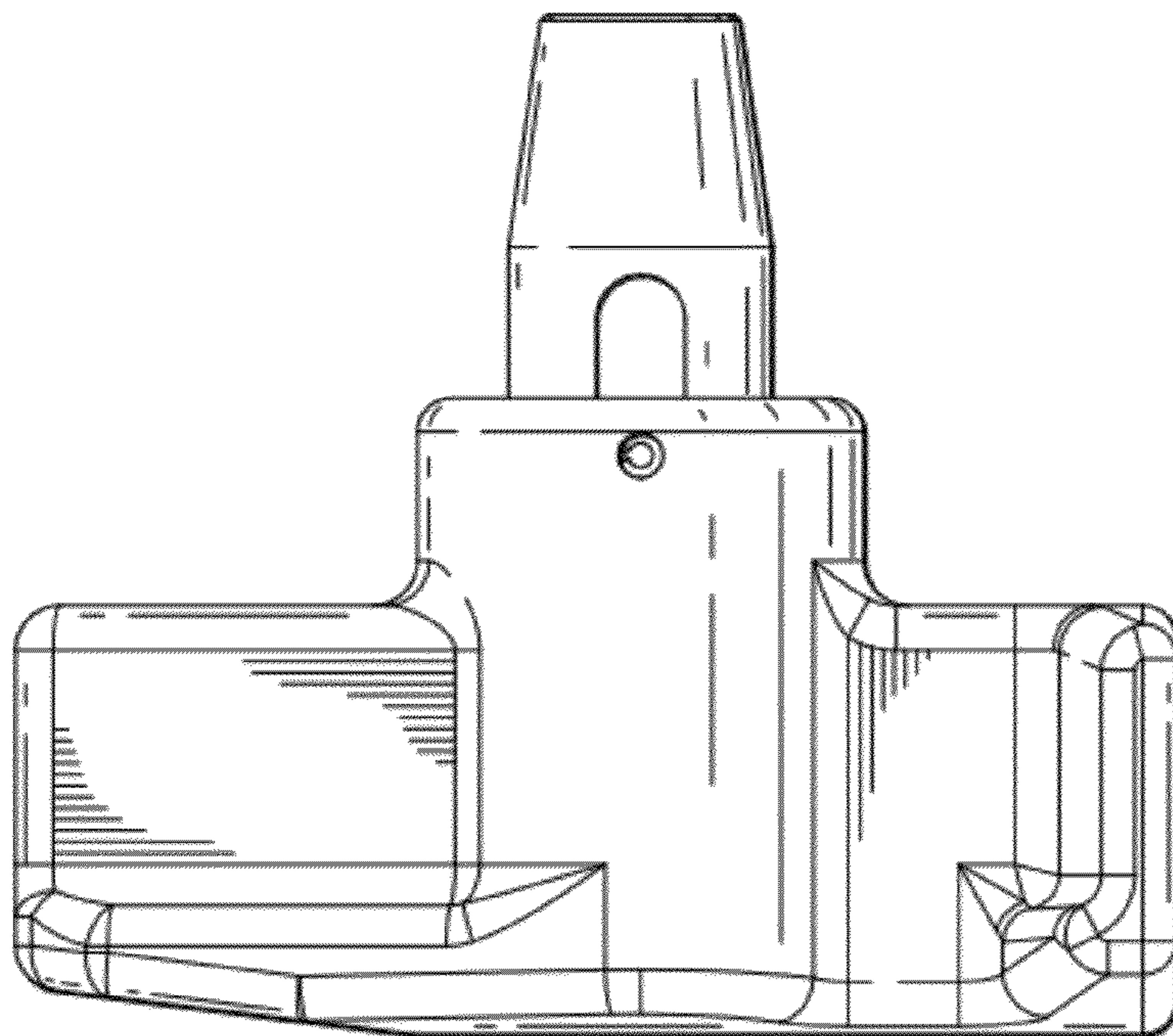


FIG. 5

FIG. 6

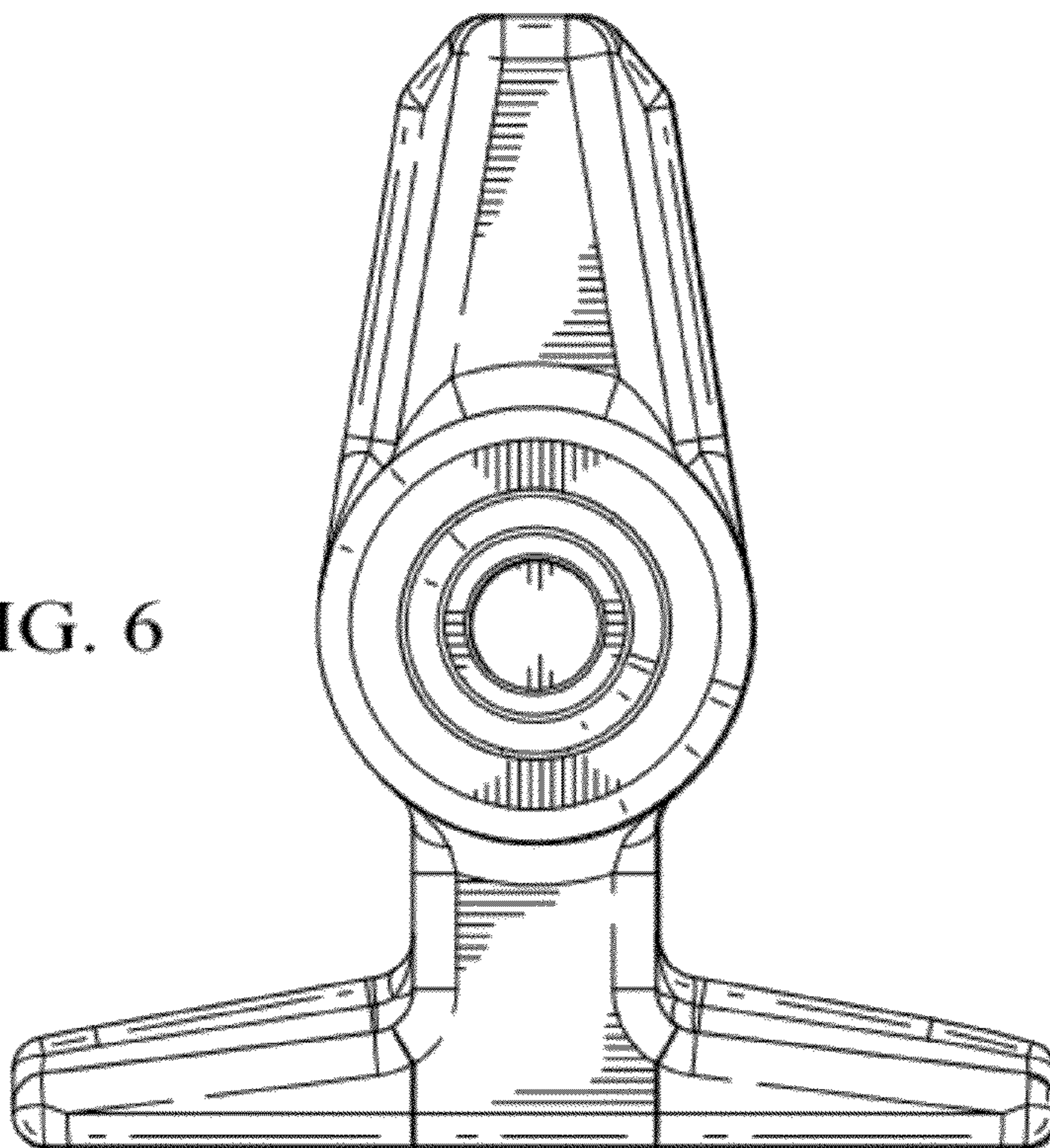


FIG. 7

