



US00D672828S

(12) **United States Design Patent**
Ross

(10) **Patent No.:** **US D672,828 S**

(45) **Date of Patent:** **** Dec. 18, 2012**

(54) **EXERCISE DEVICE**

(76) Inventor: **Michael Peter Ross**, San Diego, CA
(US)

(**) Term: **14 Years**

(21) Appl. No.: **29/396,744**

(22) Filed: **Jul. 6, 2011**

(51) **LOC (9) Cl.** **21-02**

(52) **U.S. Cl.** **D21/686**

(58) **Field of Classification Search** D21/662,
D21/671, 674, 686-689, 694, 797, 798; 482/93,
482/96, 121, 123, 129-131, 140, 142

See application file for complete search history.

(56) **References Cited**

U.S. PATENT DOCUMENTS

1,231,839	A *	7/1917	Berlin	5/630
5,261,864	A *	11/1993	Fitzpatrick	482/52
D355,458	S *	2/1995	Chen	D21/673
5,813,953	A *	9/1998	Whipple	482/123
6,042,523	A *	3/2000	Graham	482/121
6,245,001	B1 *	6/2001	Siaperas	482/142
6,558,301	B1 *	5/2003	Jackson	482/129
6,634,998	B2 *	10/2003	Siaperas	482/142

7,946,969	B1 *	5/2011	Friess et al.	482/123
7,955,231	B1 *	6/2011	Chen	482/96
8,033,969	B2 *	10/2011	Feltz	482/142
2007/0173390	A1 *	7/2007	Roumayah	482/140
2009/0105056	A1 *	4/2009	Leavitt	482/142

* cited by examiner

Primary Examiner — Susan E Krakower

(74) *Attorney, Agent, or Firm* — Sinorica, LLC

(57) **CLAIM**

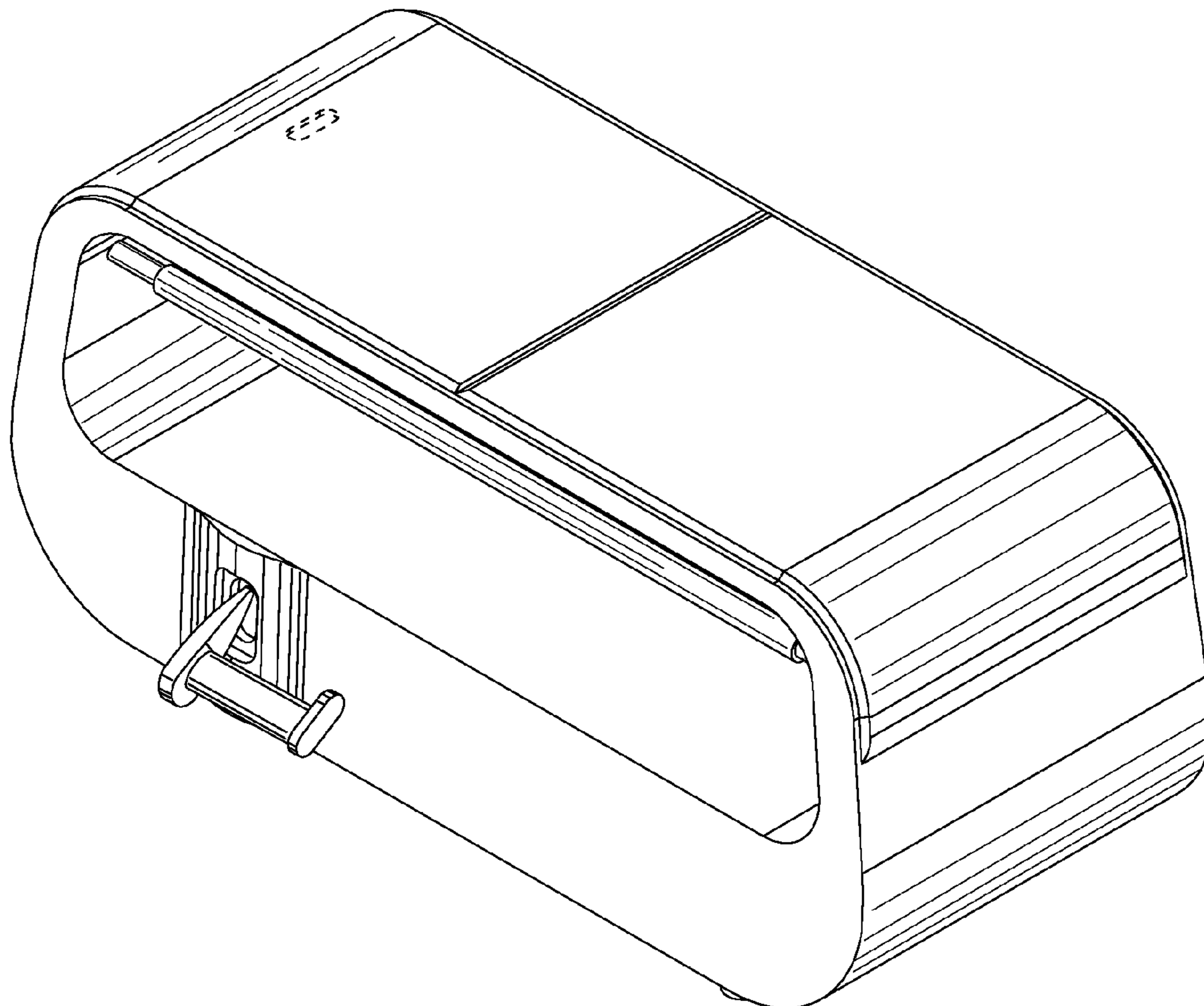
The ornamental design for an exercise device, as shown and described.

DESCRIPTION

FIG. 1 is a perspective view of an exercise device;
FIG. 2 is a front elevational view thereof;
FIG. 3 is a rear elevational view thereof;
FIG. 4 is a right-side elevational view thereof;
FIG. 5 is a left-side elevational view thereof;
FIG. 6 is a bottom plan view thereof; and,
FIG. 7 is a top plan view thereof.

The broken line portions are included for the purpose of showing environmental structure and forms no part of the claimed design.

1 Claim, 6 Drawing Sheets



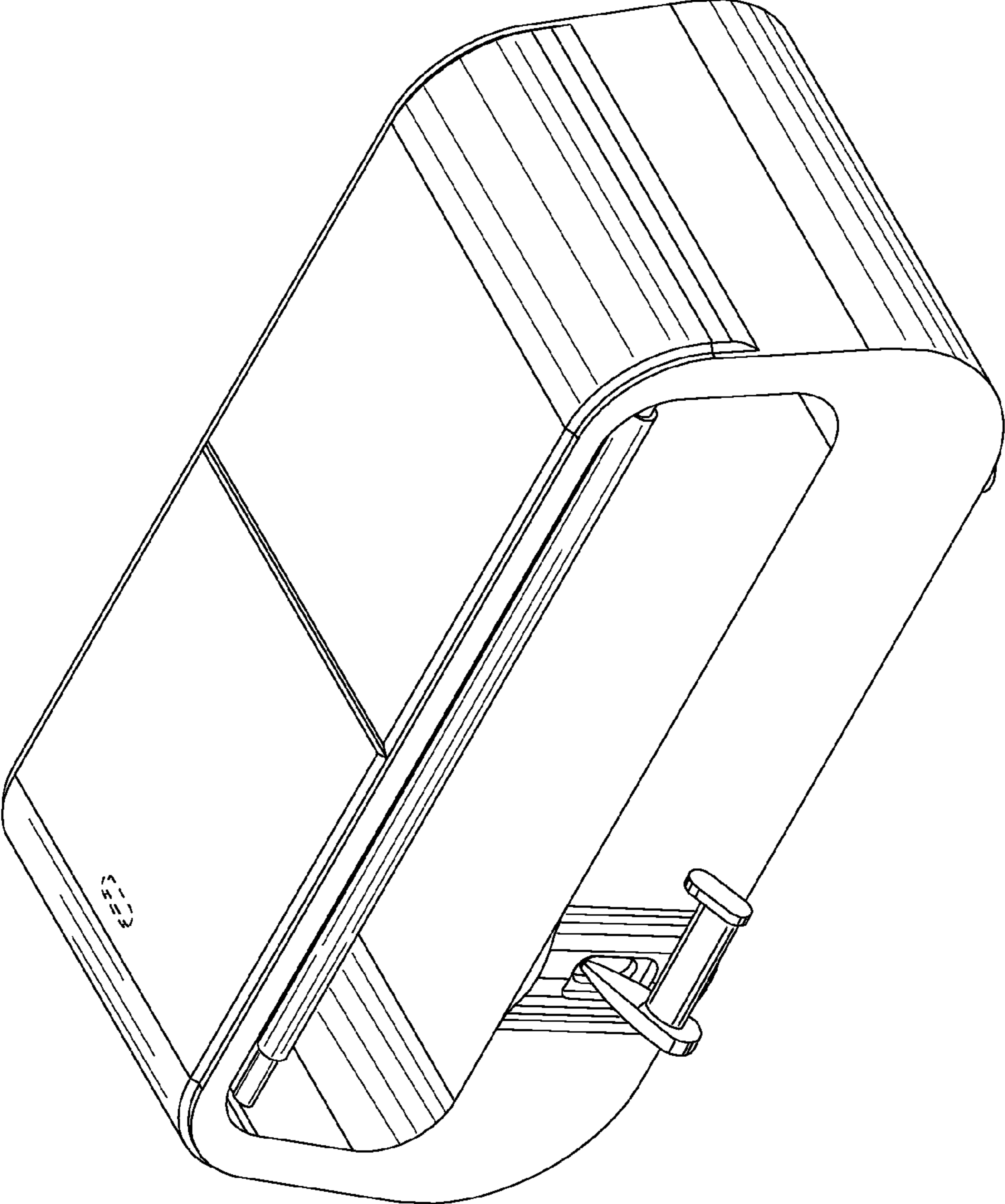


FIG. 1

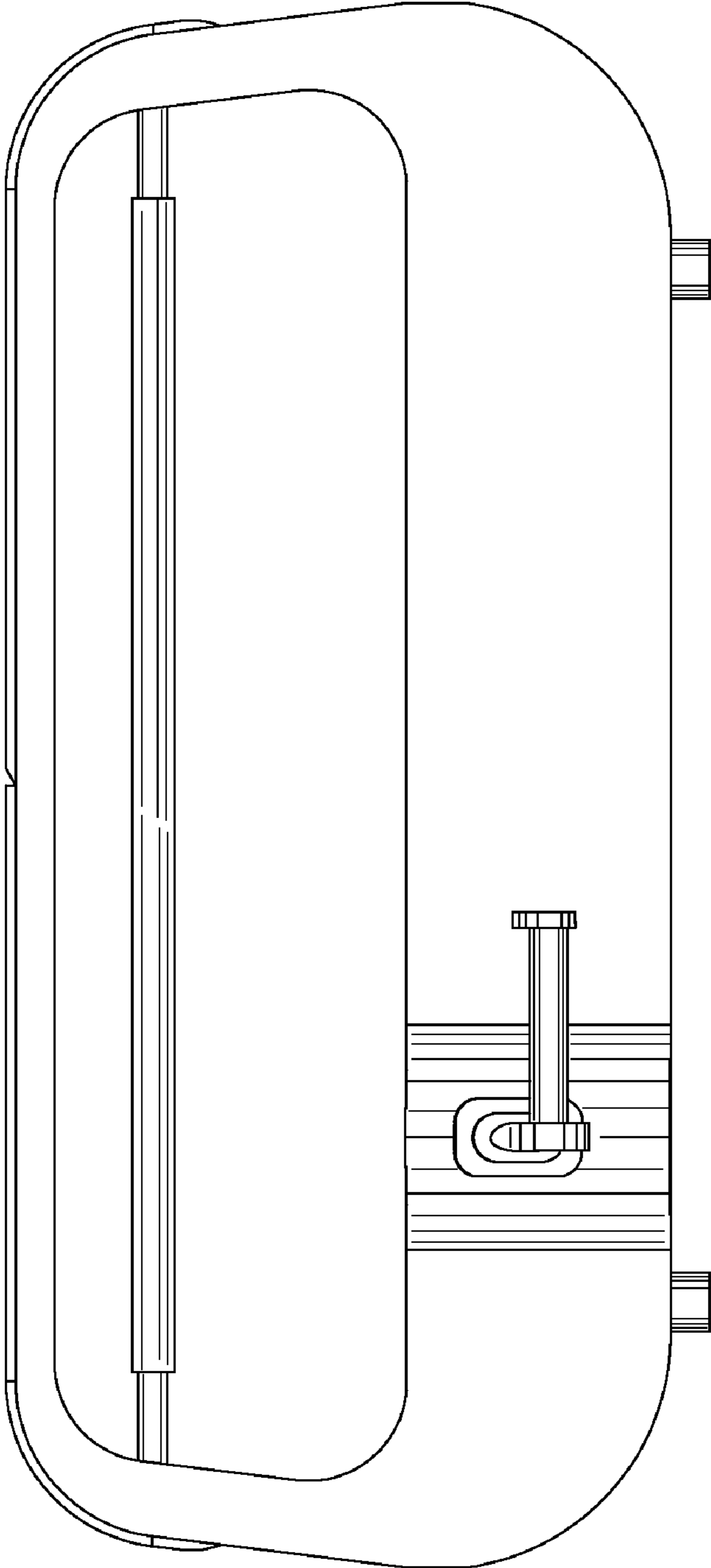


FIG. 2

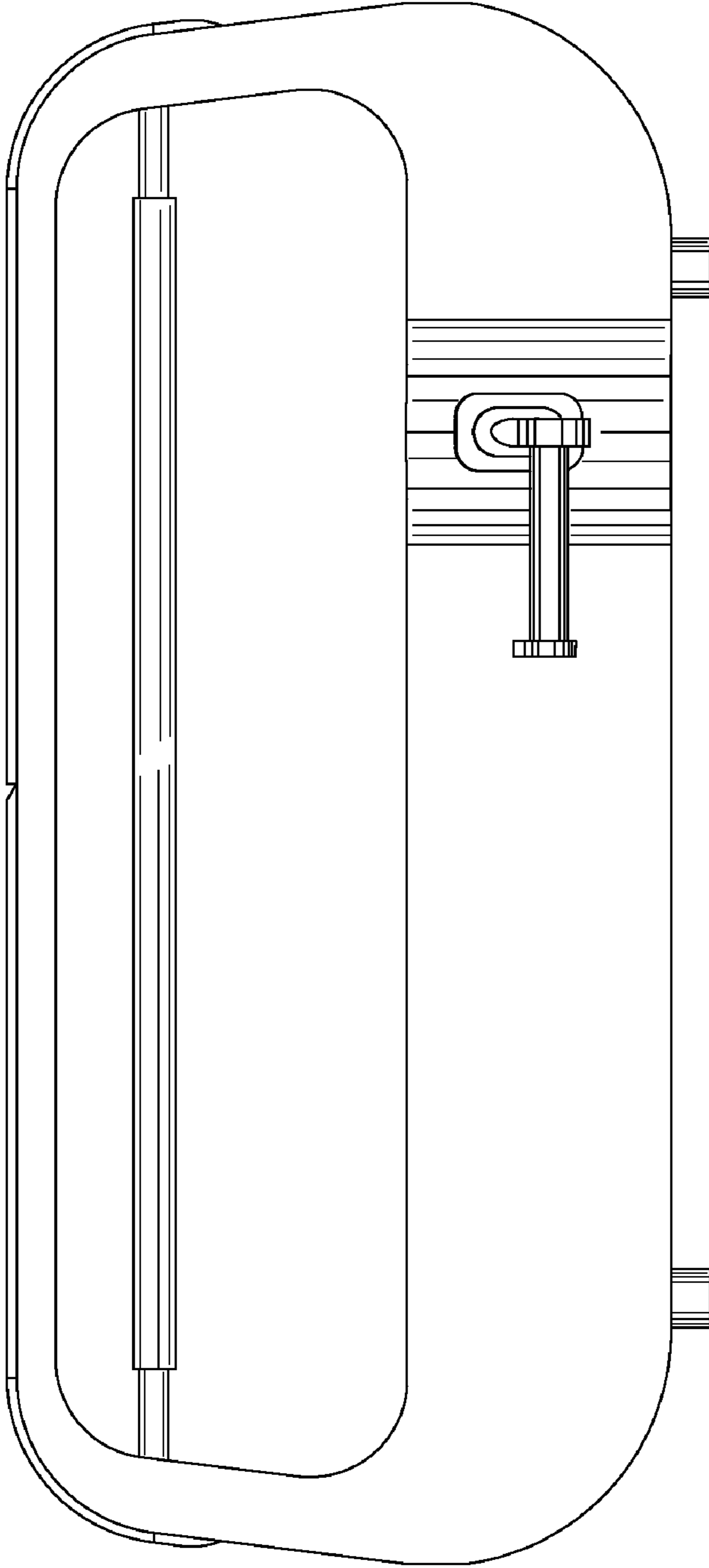


FIG. 3

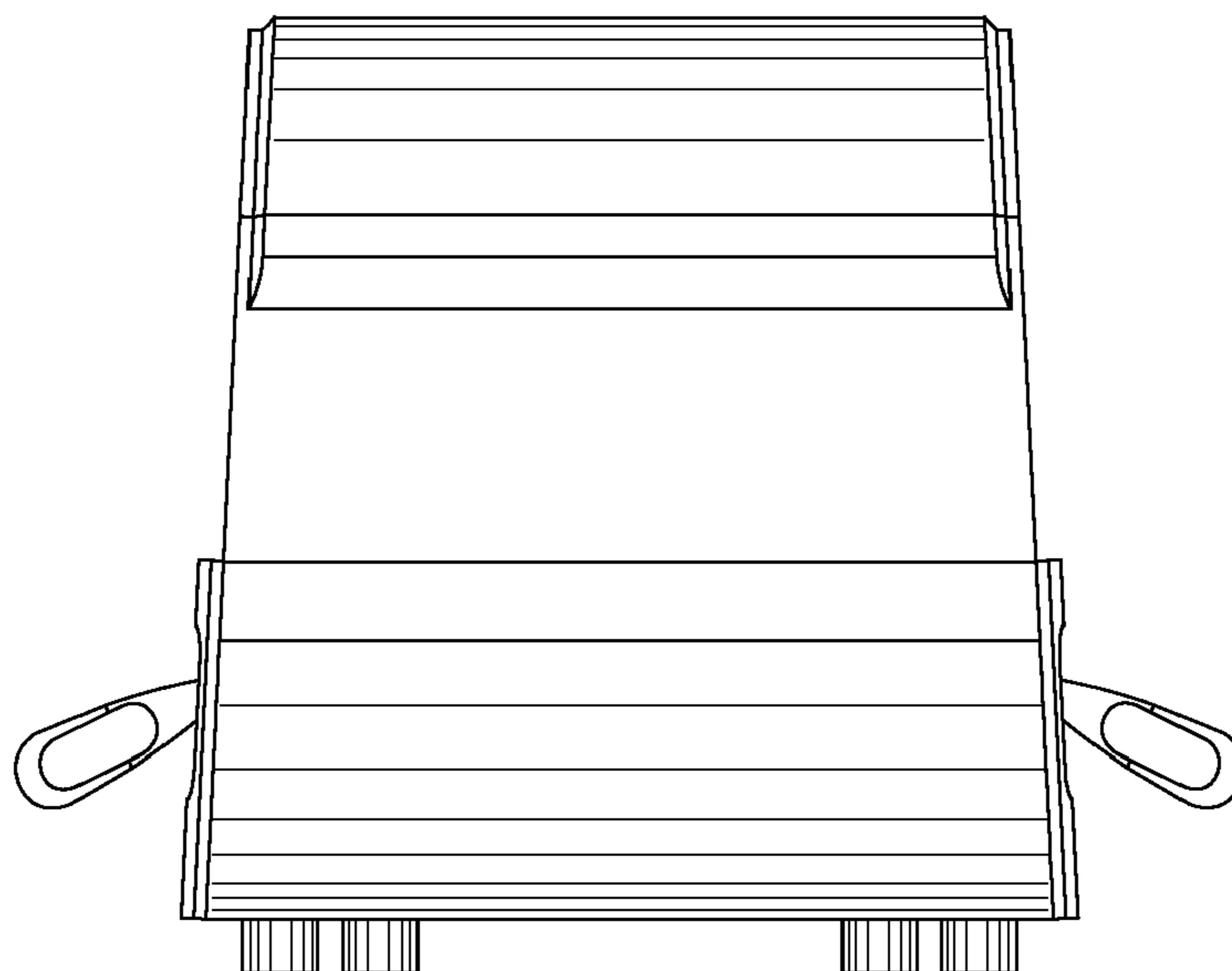


FIG. 4

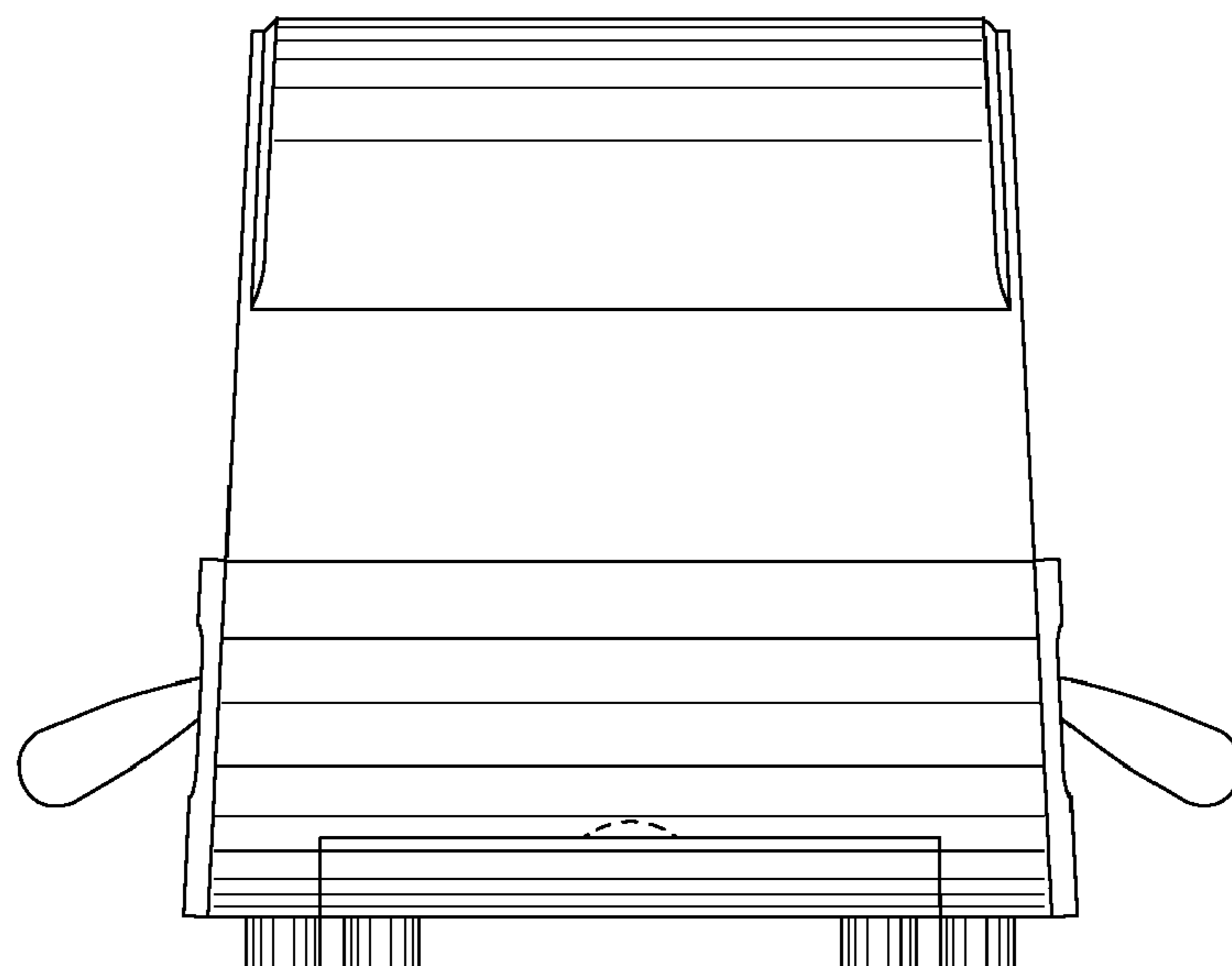


FIG. 5

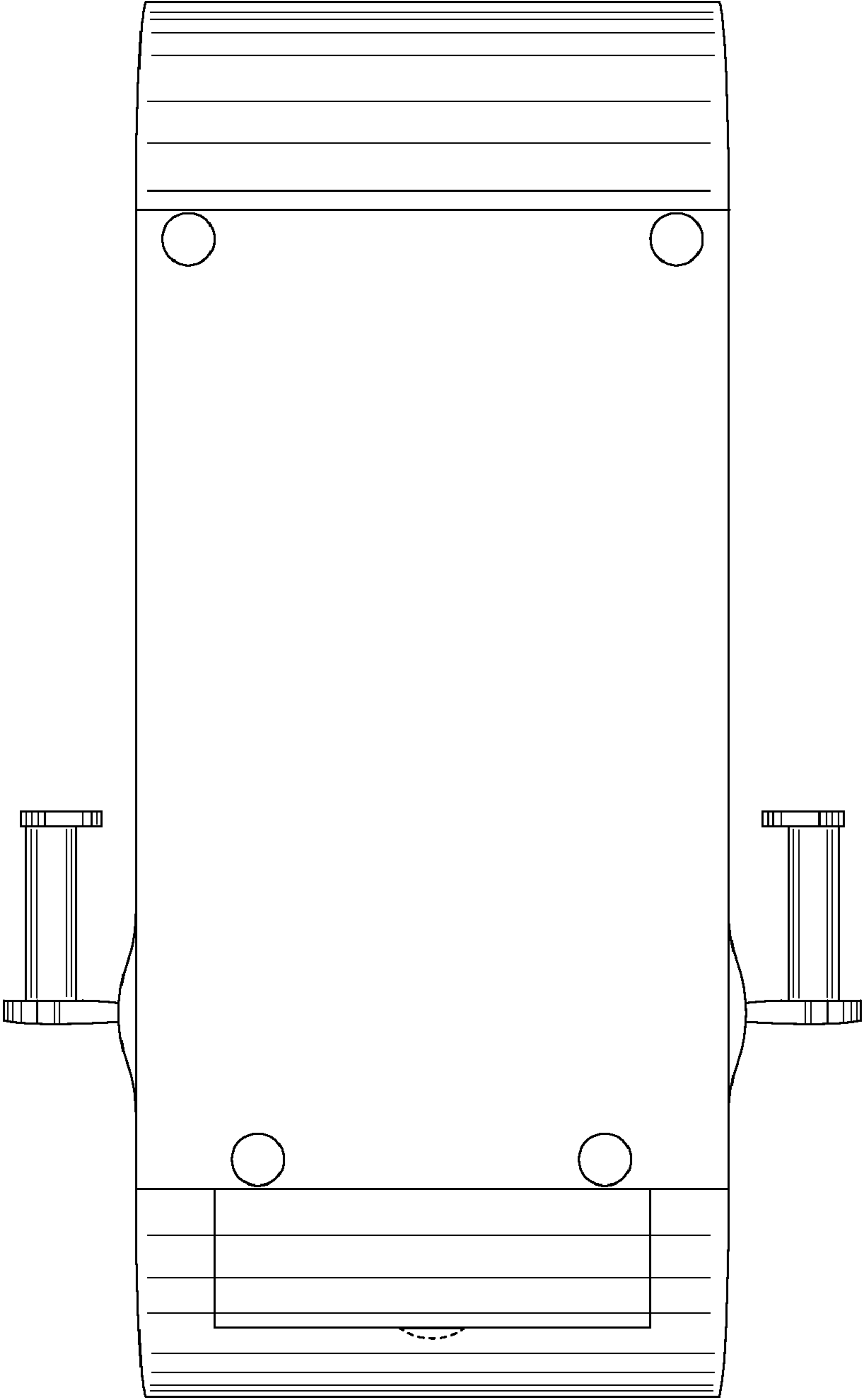


FIG. 6

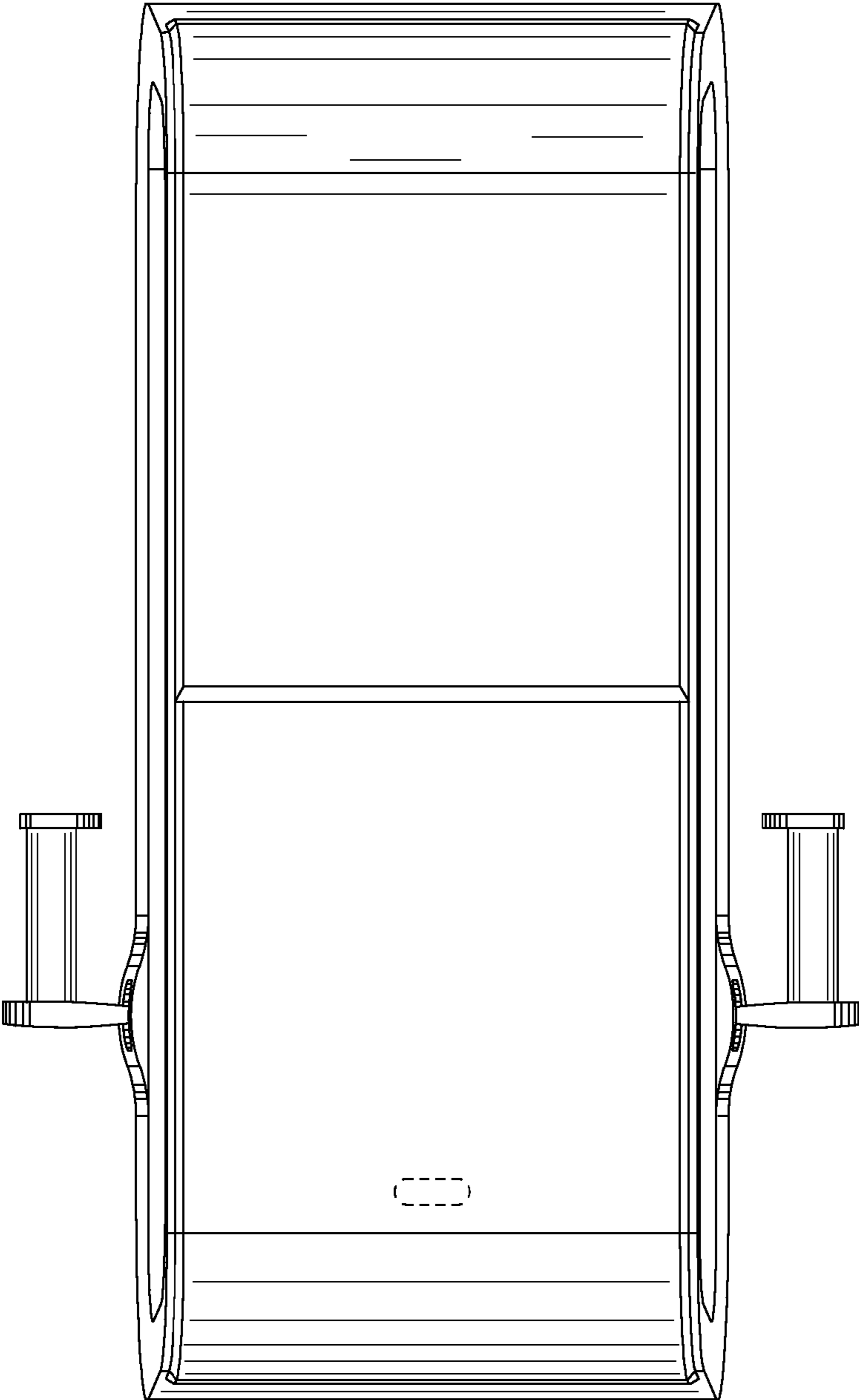


FIG. 7