



US00D672827S

(12) **United States Design Patent**
Alessandri et al.

(10) **Patent No.:** **US D672,827 S**

(45) **Date of Patent:** **** Dec. 18, 2012**

(54) **EXERCISE DEVICE**

(75) Inventors: **Nerio Alessandri**, Longiano (IT);
Simone Servadei, Modigliana (IT);
Mario Fedriga, Forli (IT)

(73) Assignee: **Technogym S.p.A.**, Gambettola (FC)
(IT)

(**) Term: **14 Years**

(21) Appl. No.: **29/408,559**

(22) Filed: **Dec. 14, 2011**

(30) **Foreign Application Priority Data**

Jun. 14, 2011 (EM) 001877192-0005

(51) **LOC (9) Cl.** **21-02**

(52) **U.S. Cl.** **D21/663**

(58) **Field of Classification Search** D21/662-670,
D21/694, 697; 482/51-52, 57-65; 280/261,
280/266, 282, 284, 288.1, 288.3, 304.4, 835;
D12/111

See application file for complete search history.

(56) **References Cited**

U.S. PATENT DOCUMENTS

D225,070 S *	11/1972	Proctor	D21/663
D229,077 S *	11/1973	Scalingi et al.	D21/663
D278,268 S *	4/1985	Kiiski	D21/663
D290,149 S *	6/1987	Nakao et al.	D21/663
D299,371 S *	1/1989	Tsuyama	D21/663
D299,670 S *	1/1989	Lin et al.	D21/663
D301,729 S *	6/1989	Capjon	D21/663
D307,782 S *	5/1990	Birrell et al.	D21/663
D309,336 S *	7/1990	Yang	D21/663

5,205,801 A *	4/1993	Haner	482/63
5,324,242 A *	6/1994	Lo	482/63
D360,916 S *	8/1995	Koga	D21/663
D377,672 S *	1/1997	Wanzer et al.	D21/663
5,643,146 A *	7/1997	Stark et al.	482/63
5,674,158 A *	10/1997	Navas	482/58
D398,673 S *	9/1998	Huang	D21/663
D401,644 S *	11/1998	Chen	D21/663
5,902,215 A *	5/1999	Kuo	482/57
D444,515 S *	7/2001	Moran et al.	D21/663
6,565,487 B1 *	5/2003	Kuo	482/57
D512,754 S *	12/2005	Nagano	D21/663
D519,171 S *	4/2006	Kuo	D21/663
D526,031 S *	8/2006	Corbalis et al.	D21/663
D561,276 S *	2/2008	Bingham et al.	D21/697
D569,926 S *	5/2008	Bingham et al.	D21/697
D647,981 S *	11/2011	Chen	D21/663

* cited by examiner

Primary Examiner — Susan E Krakower

(74) *Attorney, Agent, or Firm* — Abelman, Frayne & Schwab

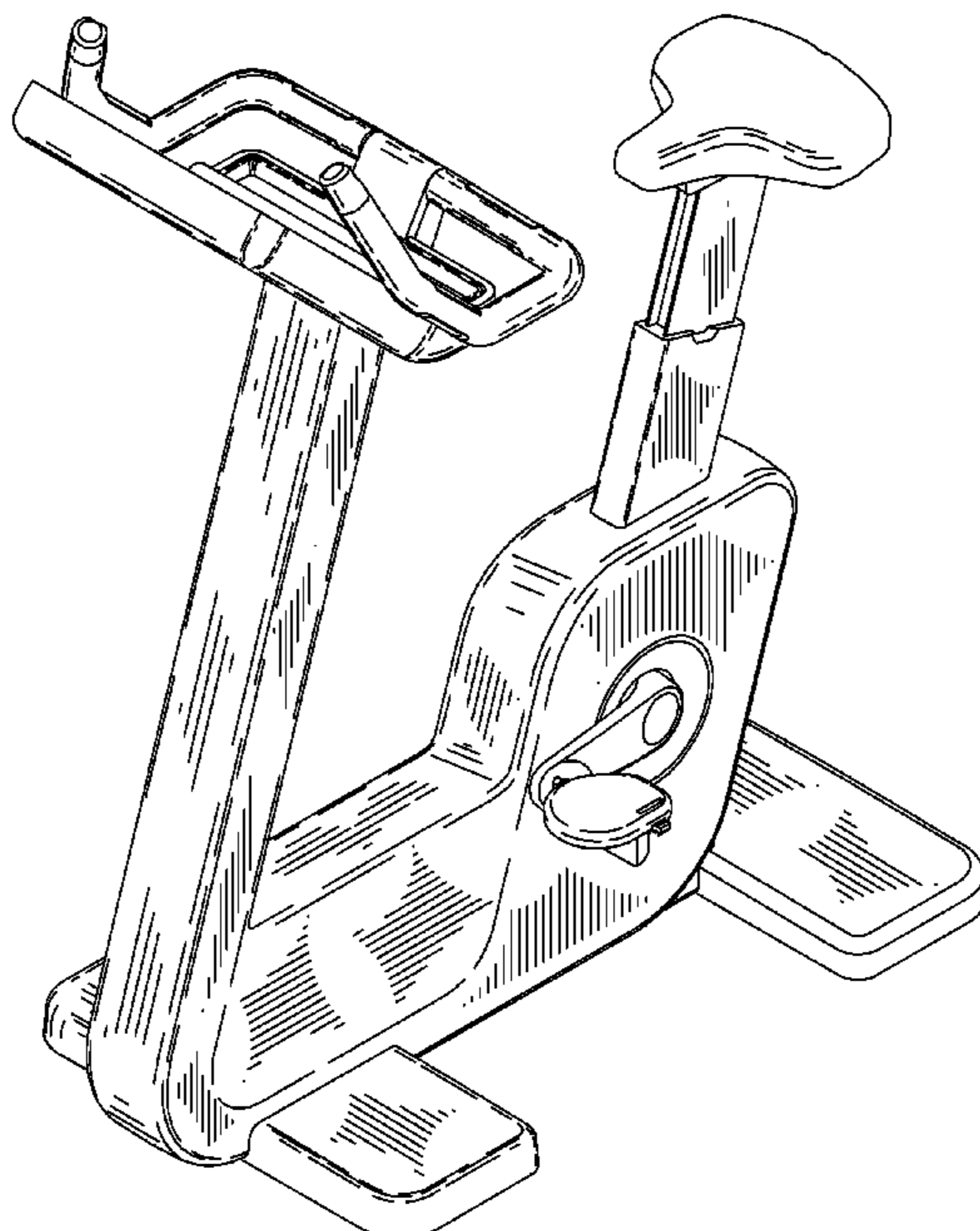
(57) **CLAIM**

The ornamental design for an exercise device, as shown and described.

DESCRIPTION

FIG. 1 is a top, front, and right side perspective view of an exercise device, according to the present invention; FIG. 2 is a front view of the exercise device of FIG. 1; FIG. 3 is a rear view of the exercise device of FIG. 1; FIG. 4 is a left side view of the exercise device of FIG. 1; FIG. 5 is a right side view of the exercise device of FIG. 1; and, FIG. 6 is a top view of the exercise device of FIG. 1. The bottom of the exercise device is flat and unornamented.

1 Claim, 6 Drawing Sheets



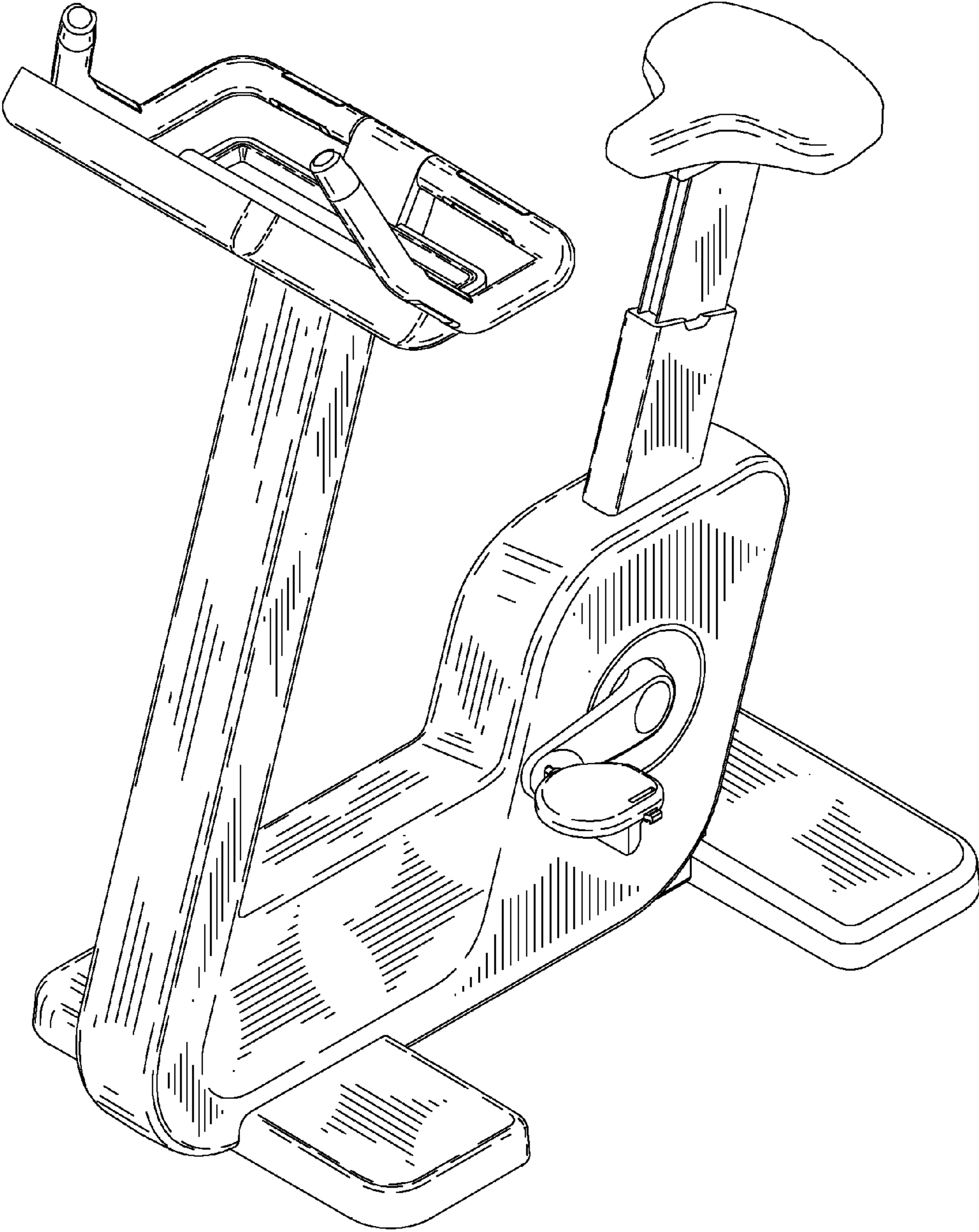


Fig. 1

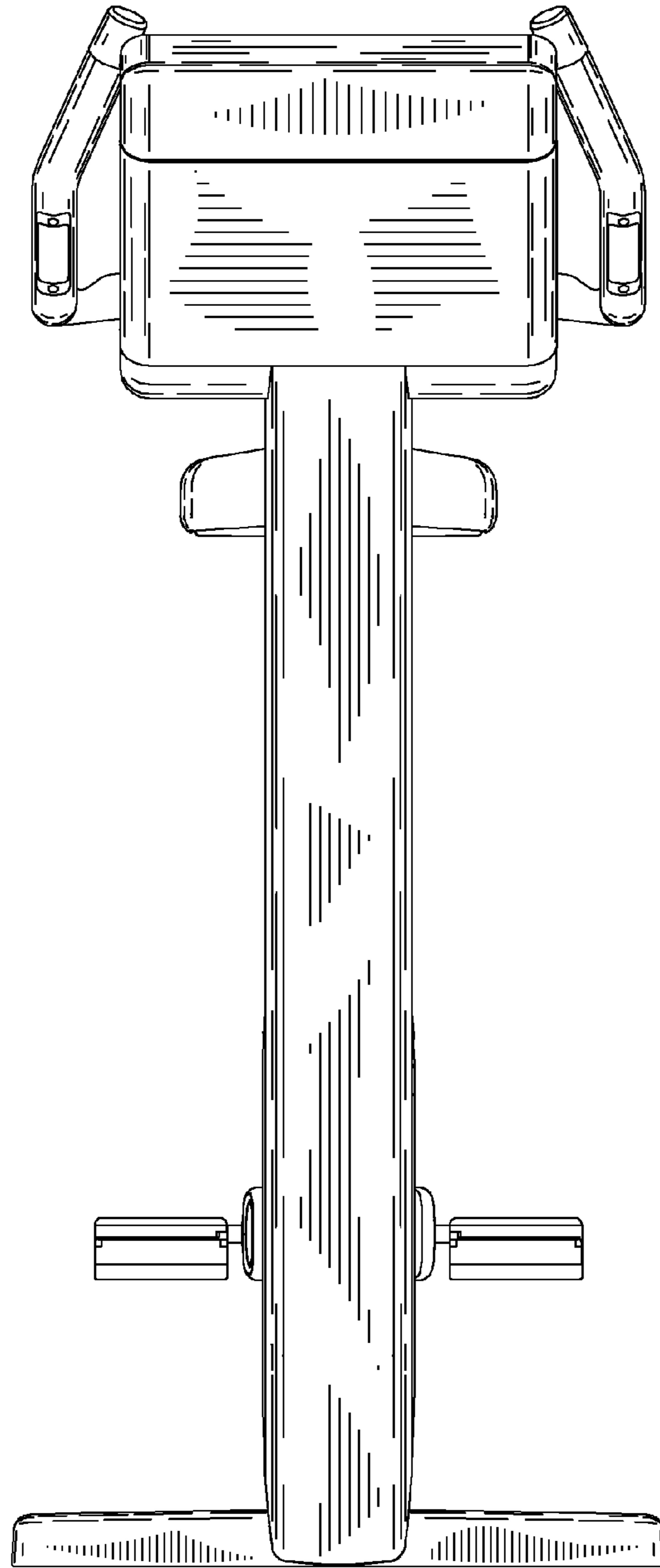


Fig. 2

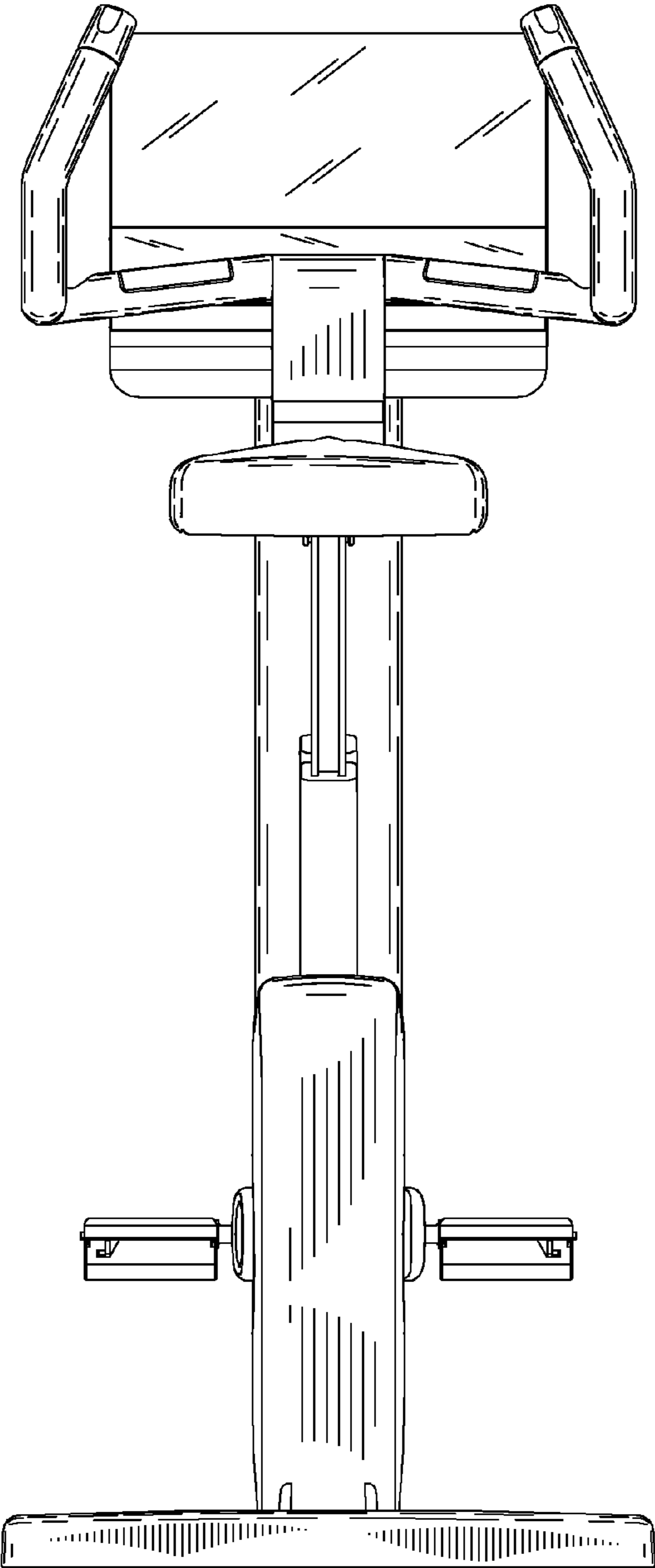


Fig. 3

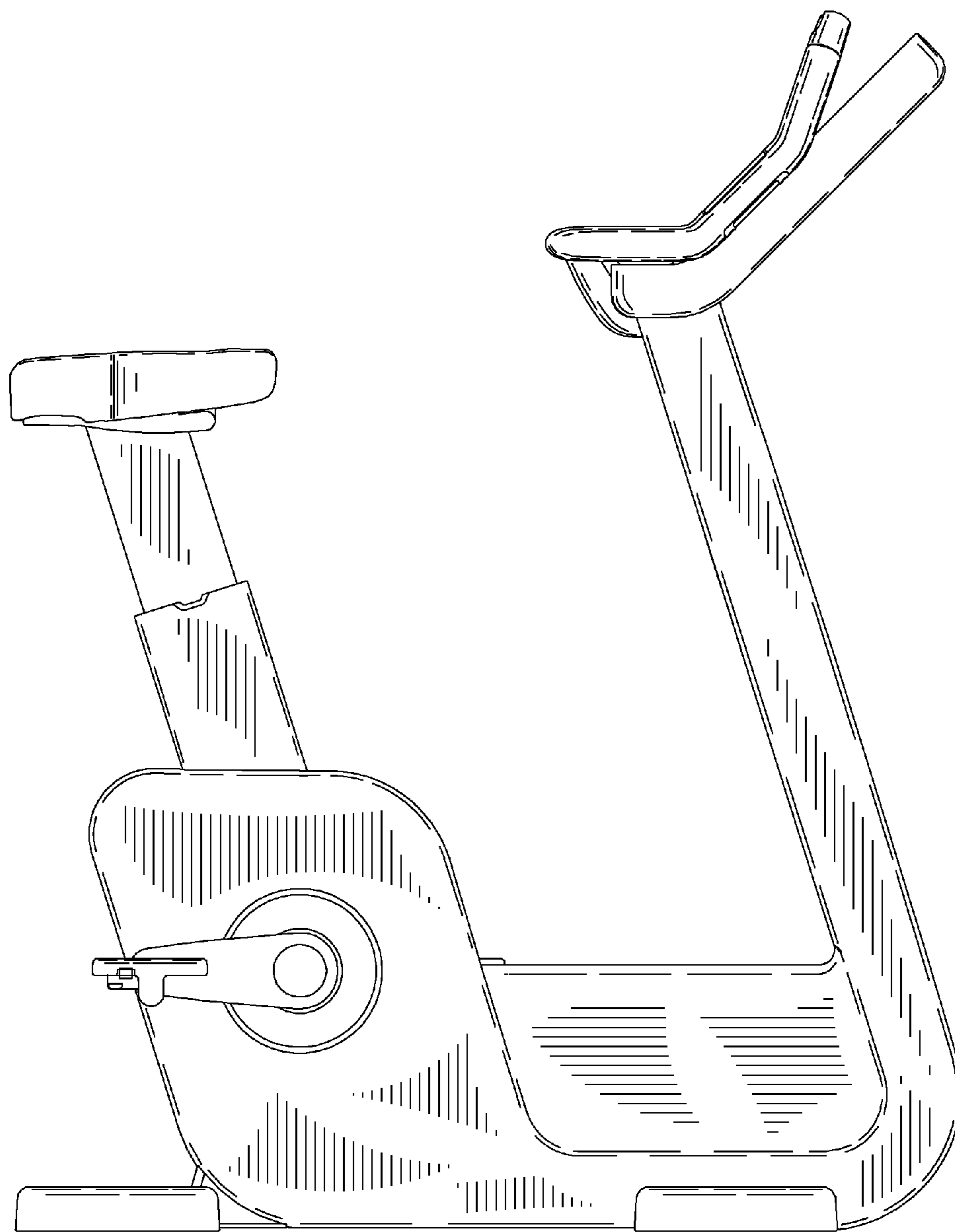


Fig. 4

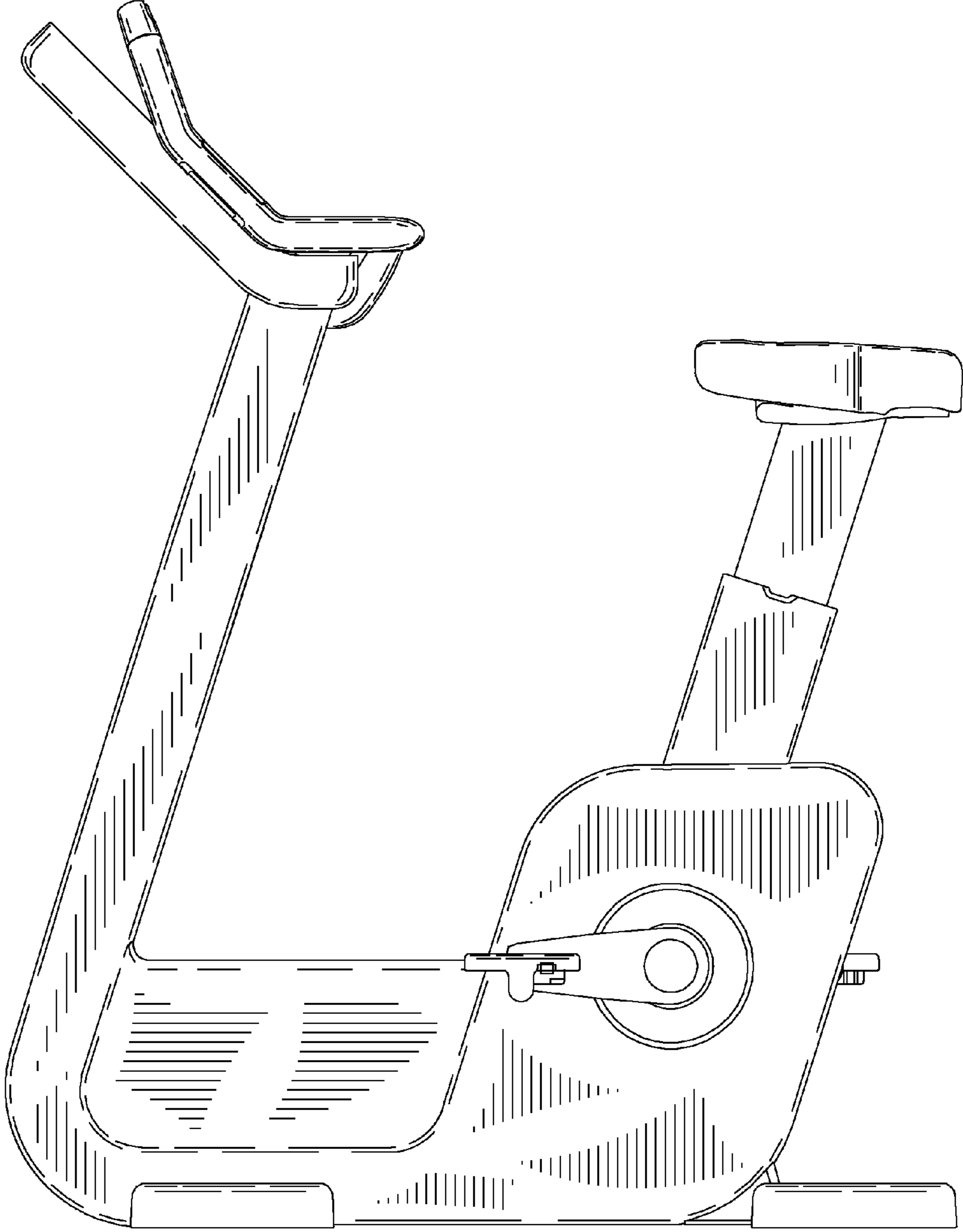


Fig. 5

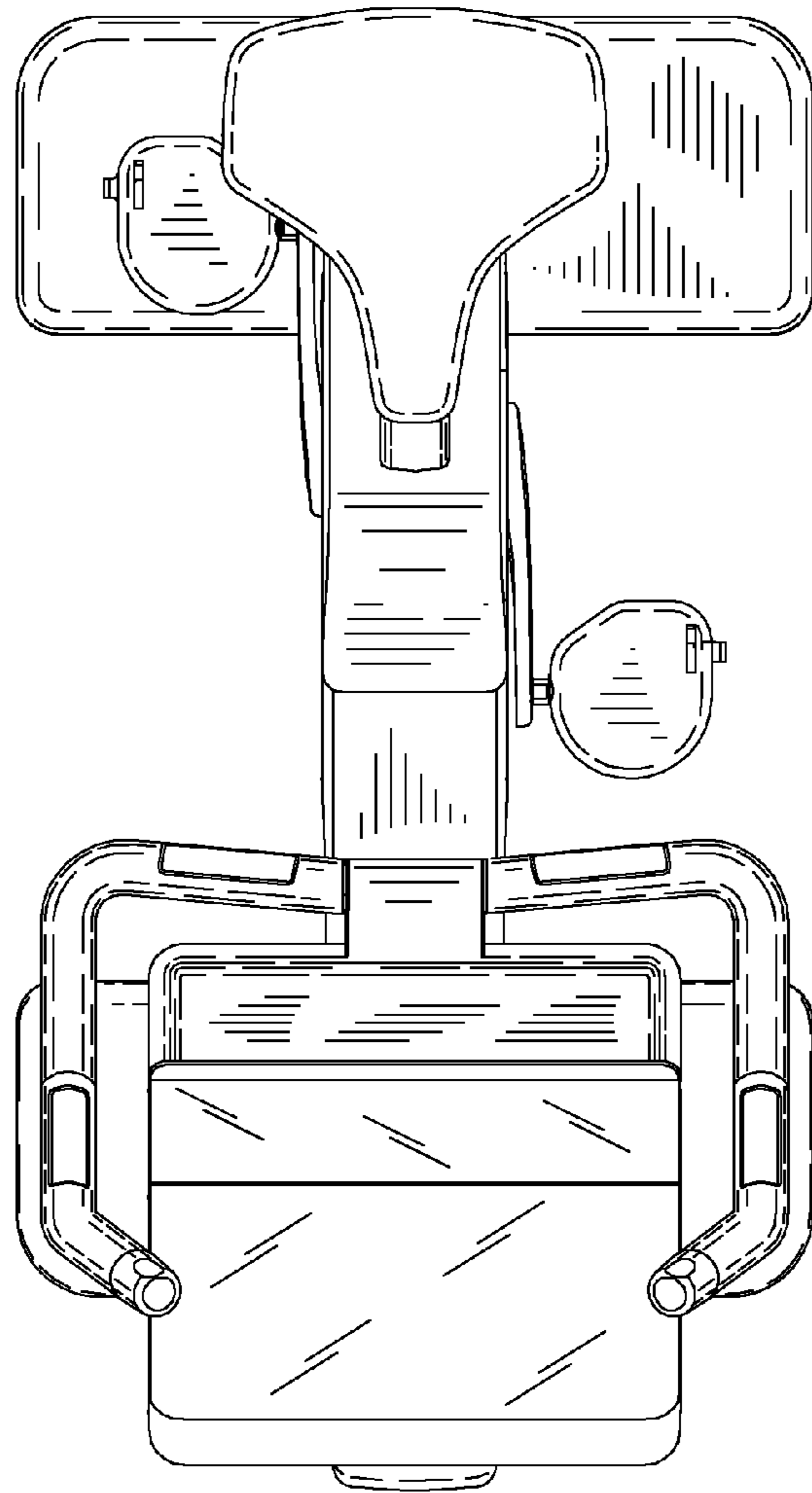


Fig. 6