

US00D672818S

(12) **United States Design Patent**  
**Pascale**

(10) **Patent No.:** **US D672,818 S**

(45) **Date of Patent:** **\*\* Dec. 18, 2012**

(54) **ASSEMBLY OF STATIONERY CLIPS**

(76) **Inventor:** **Steven P Pascale**, San Clemente, CA  
(US)

(\*\*) **Term:** **14 Years**

(21) **Appl. No.:** **29/406,444**

(22) **Filed:** **Nov. 14, 2011**

(51) **LOC (9) Cl.** ..... **19-02**

(52) **U.S. Cl.** ..... **D19/65**

(58) **Field of Classification Search** ..... D8/394,  
D8/395; D19/65, 86, 99, 100, 1, 2, 4; 24/67 R,  
24/67.1, 67.3, 67.5, 67.7, 67.9, 67.11, 67 P  
See application file for complete search history.

(56) **References Cited**

**U.S. PATENT DOCUMENTS**

D33,565	S	*	11/1900	Geer	.....	D19/33
D37,219	S	*	11/1904	Benza	.....	D6/300
4,070,775	A	*	1/1978	Brooks	.....	40/492
D327,229	S	*	6/1992	Bonneville	.....	D10/109.1
D357,280	S	*	4/1995	Bechler et al.	.....	D19/64
D380,012	S	*	6/1997	McGarry-Webster	.....	D20/22
D432,175	S	*	10/2000	Finkay	.....	D20/22
D501,341	S	*	2/2005	Cassidy et al.	.....	D6/509
D524,856	S	*	7/2006	Pascale et al.	.....	D19/1
D531,506	S	*	11/2006	Aitkenhead	.....	D9/457

(Continued)

*Primary Examiner* — Elizabeth Albert

(74) *Attorney, Agent, or Firm* — Trojan Law Offices

(57) **CLAIM**

The ornamental design for an assembly of stationery clips, as shown and described.

**DESCRIPTION**

FIG. 1 is a perspective view of an assembly of stationery clips in accordance with my new design;

FIG. 2 is a perspective view of the assembly of stationery clips shown in FIG. 1, wherein an individual stationery clip of the assembly of stationery clips is shown among the remaining stationery clips;

FIG. 3 is a front view of an individual stationery clip of the assembly of stationery clips in FIG. 1, shown without the remainder of the claimed design for convenience;

FIG. 4 is a rear view of the stationery clip shown in FIG. 3; FIG. 5 is a perspective view of the stationery clip shown in FIG. 3;

FIG. 6 is a left side view of the stationery clip shown in FIG. 3; FIG. 7 is a right side view of the stationery clip shown in FIG. 3;

FIG. 8 is a top view of the stationery clip shown in FIG. 3; FIG. 9 is a bottom view of the stationery clip shown in FIG. 3; FIG. 10 is a front view of a cover of the assembly of stationery clips in FIG. 1, shown without the remainder of the claimed design for convenience;

FIG. 11 is a rear view of the cover shown in FIG. 10; FIG. 12 is a perspective view of the cover shown in FIG. 10;

FIG. 13 is a left side view of the cover shown in FIG. 10;

FIG. 14 is a right side view of the cover shown in FIG. 10;

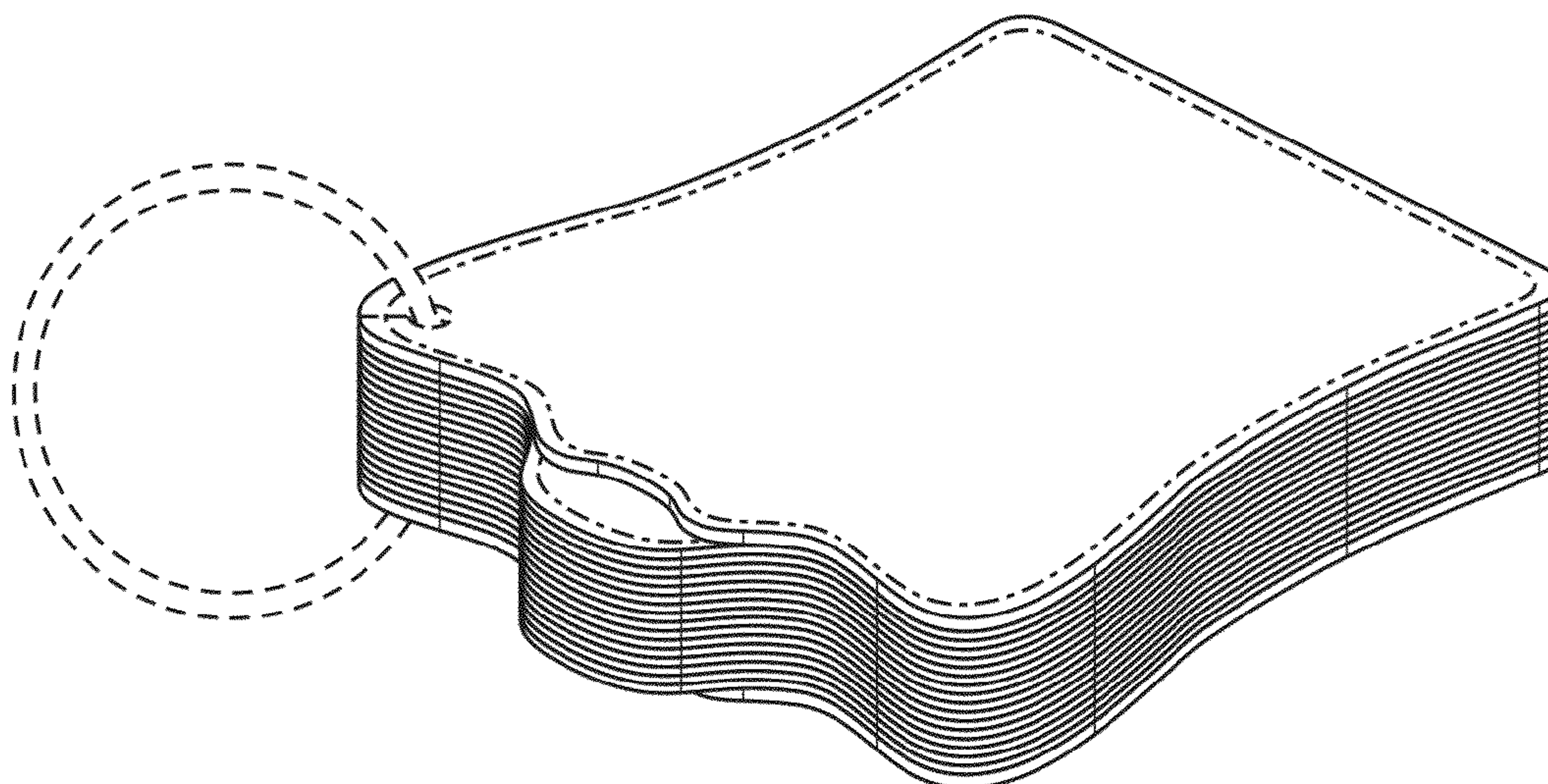
FIG. 15 is a top view of the cover shown in FIG. 10; and,

FIG. 16 is a bottom view of the cover shown in FIG. 10.

The long and short broken lines around the inside edge of the individual stationery clip and cover define the bounds of the claimed design and form no part thereof.

The evenly spaced broken lines showing the ring and the U-shaped features and apertures in one end and the aperture in the corner of the other end of the individual clips and the aperture in the cover are included to show portions that form no part of the claimed design.

**1 Claim, 5 Drawing Sheets**



# US D672,818 S

Page 2

---

## U.S. PATENT DOCUMENTS

D536,736 S *	2/2007	Pascale et al.	.....	D19/88	D636,024 S *	4/2011	Pascale	.....	D19/65
7,258,367 B2 *	8/2007	Legrand	.....	281/15.1	D643,466 S *	8/2011	Henderson	.....	D19/59
D586,391 S *	2/2009	Pascale	.....	D19/27	8,136,280 B2 *	3/2012	Spelman	.....	40/586
D632,334 S *	2/2011	Pascale	.....	D19/65	2006/0290134 A1 *	12/2006	Pascale et al.	.....	281/44
D632,338 S *	2/2011	Pascale	.....	D19/65	2009/0301919 A1 *	12/2009	Pascale	.....	206/459.1
D632,736 S *	2/2011	Pascale	.....	D19/65					

\* cited by examiner



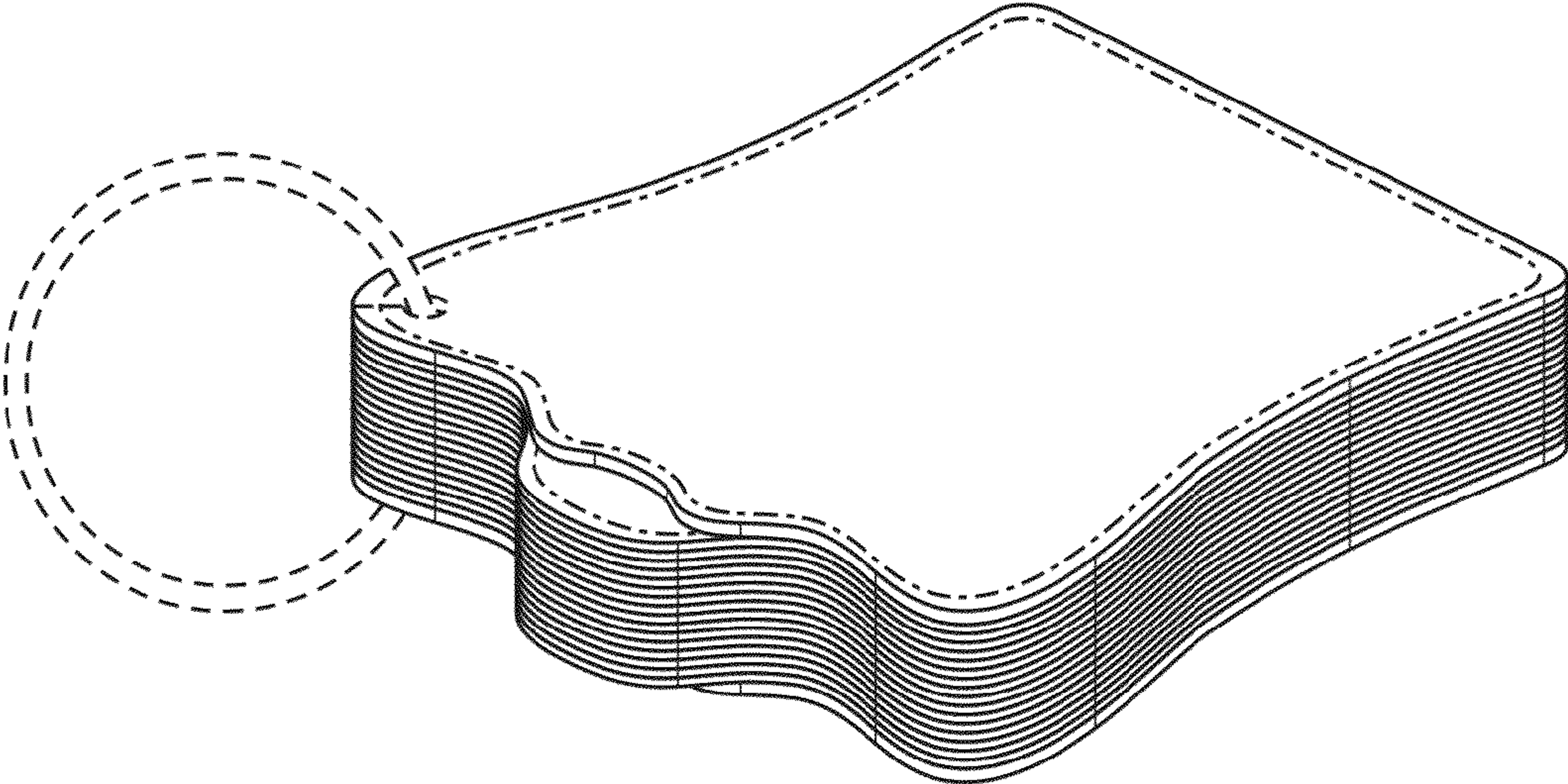


Fig. 1

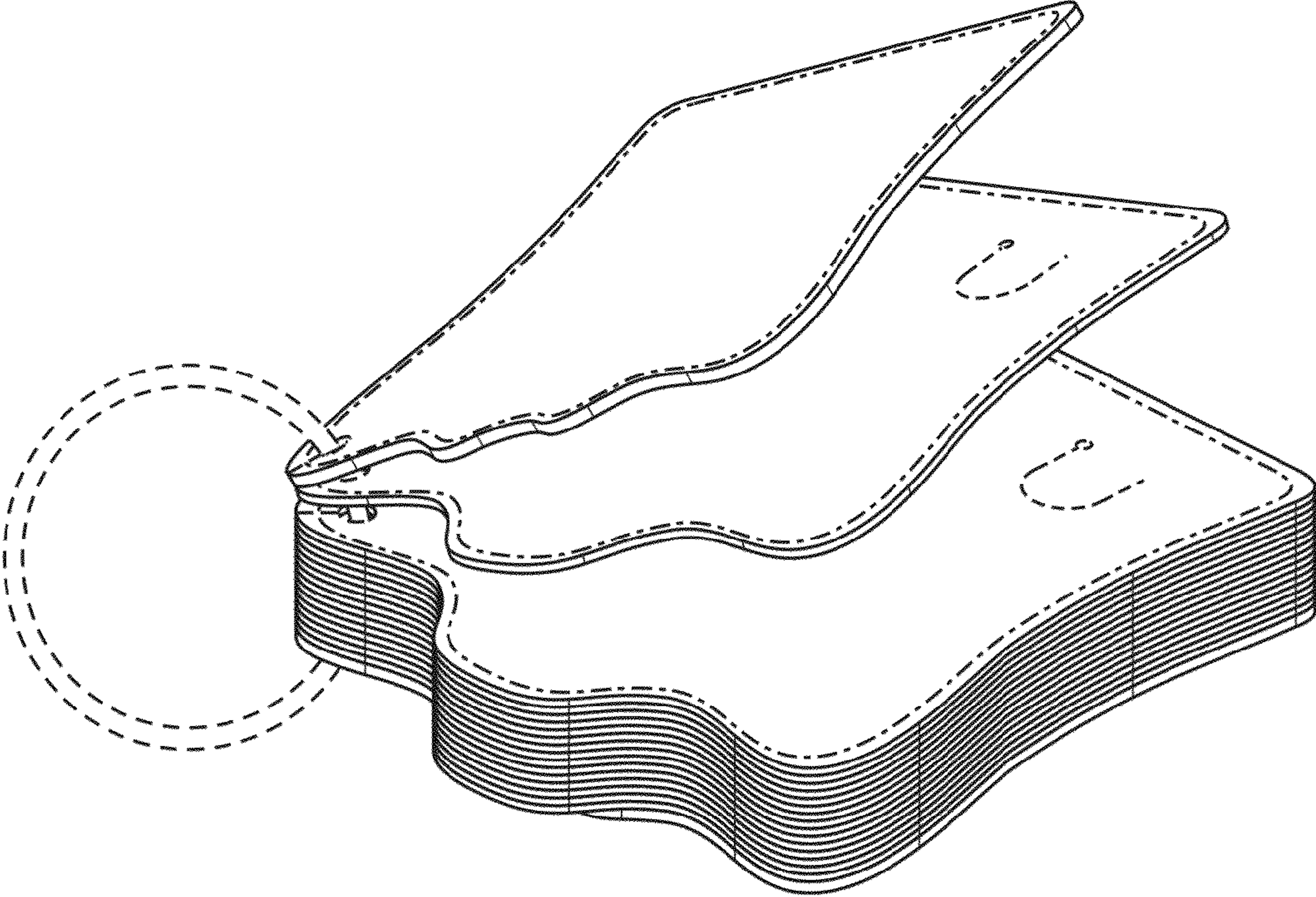


Fig. 2

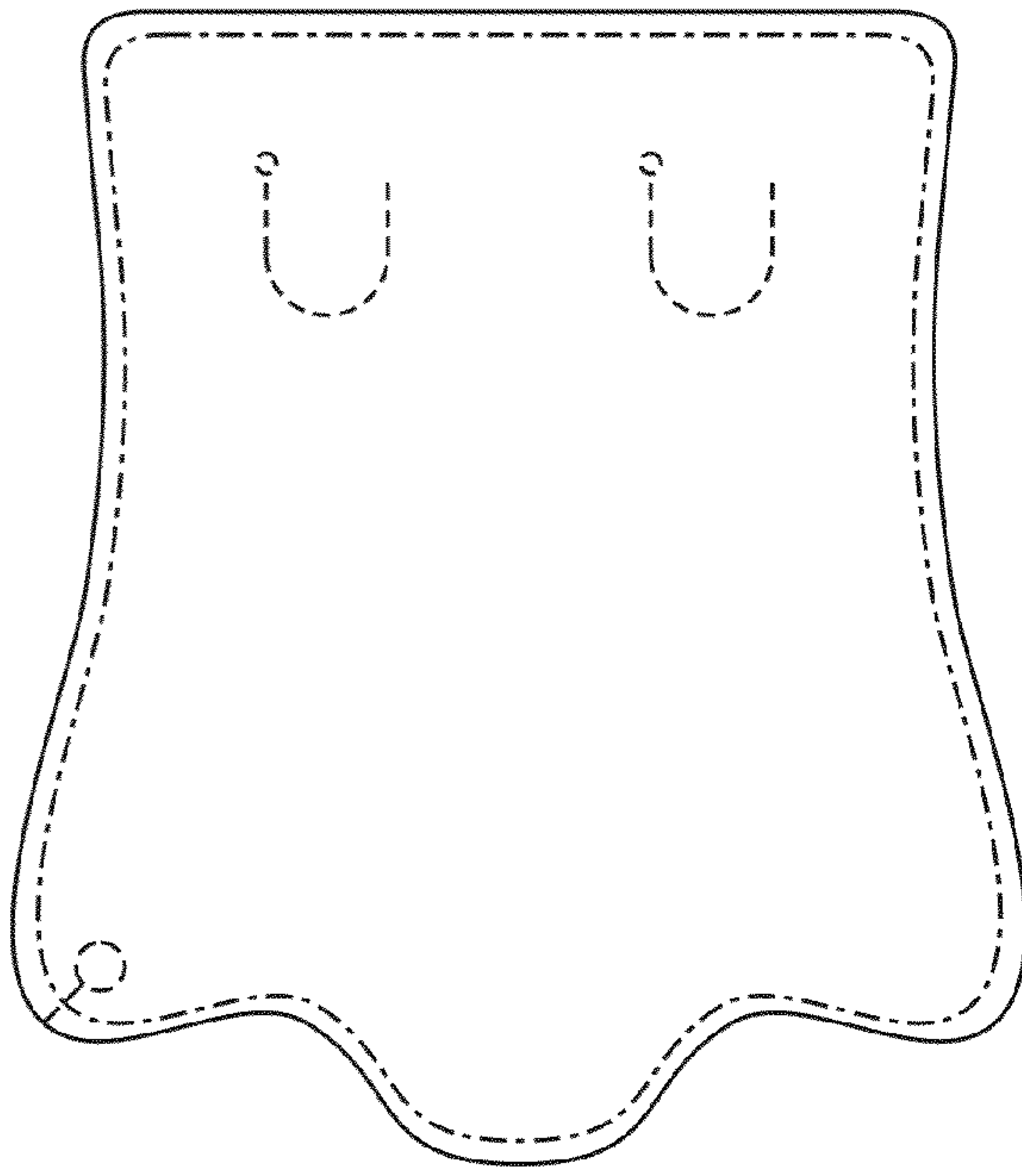


Fig. 3

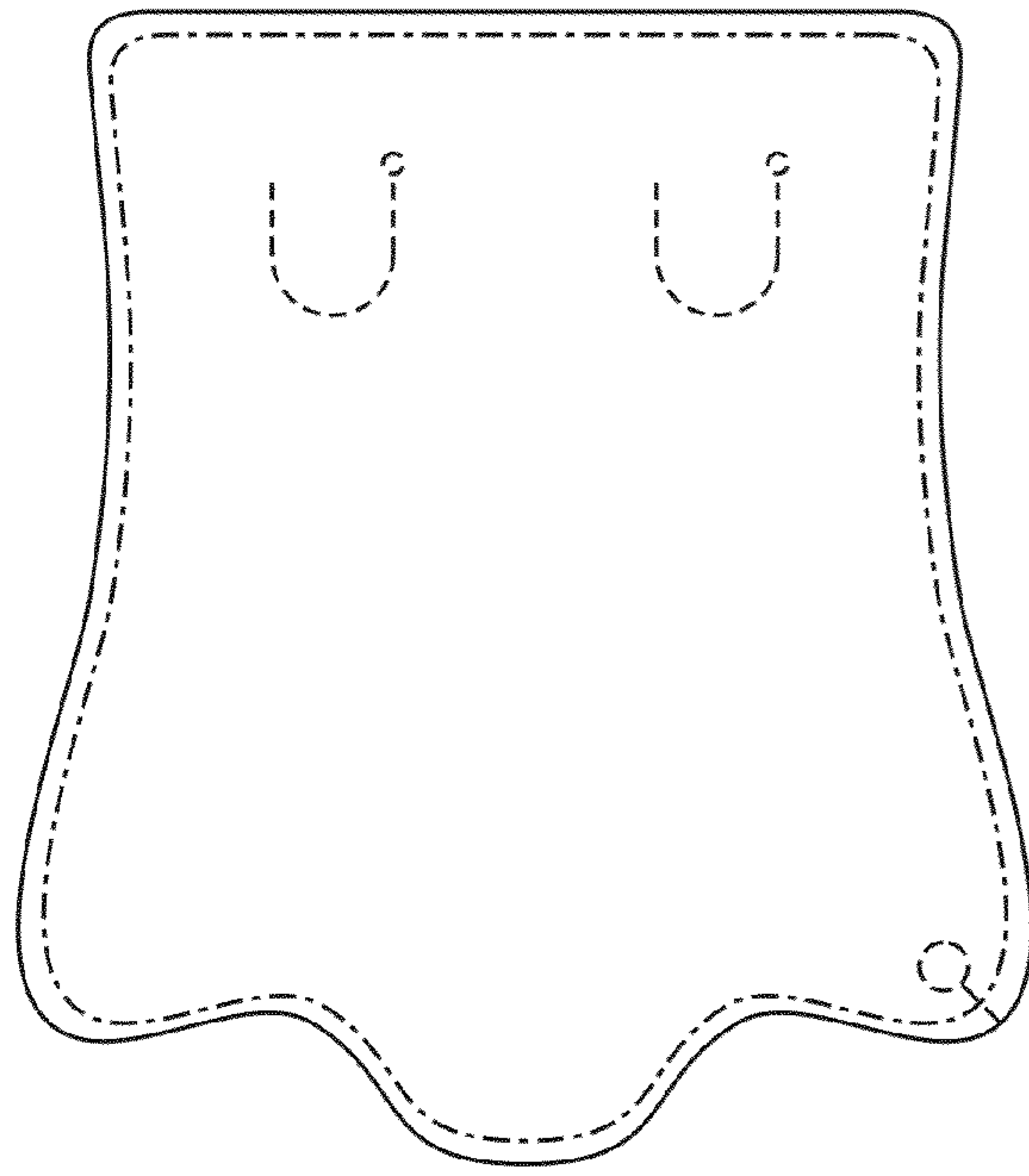


Fig. 4

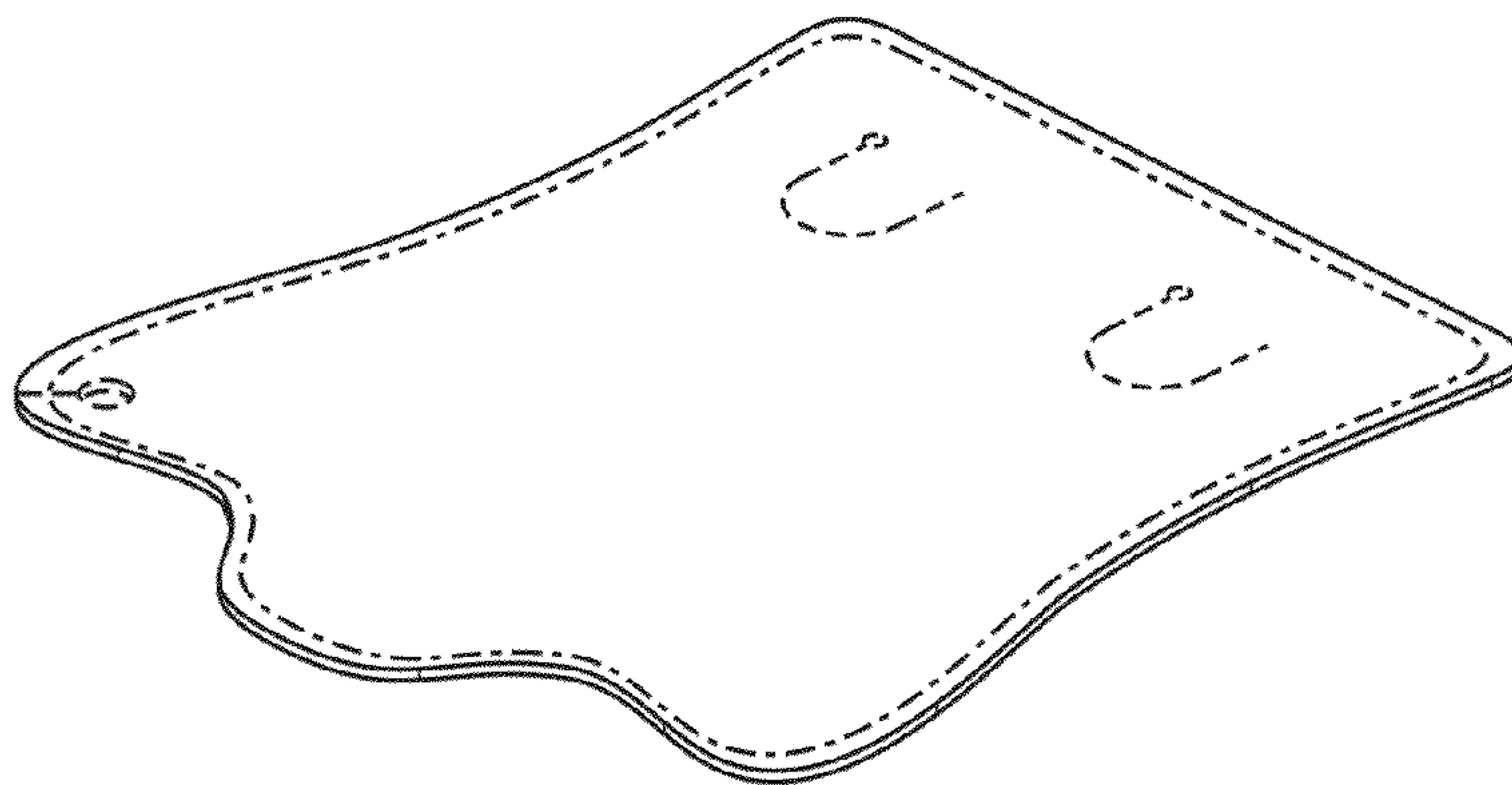


Fig. 5



Fig. 6



Fig. 7



Fig. 8

Fig. 9

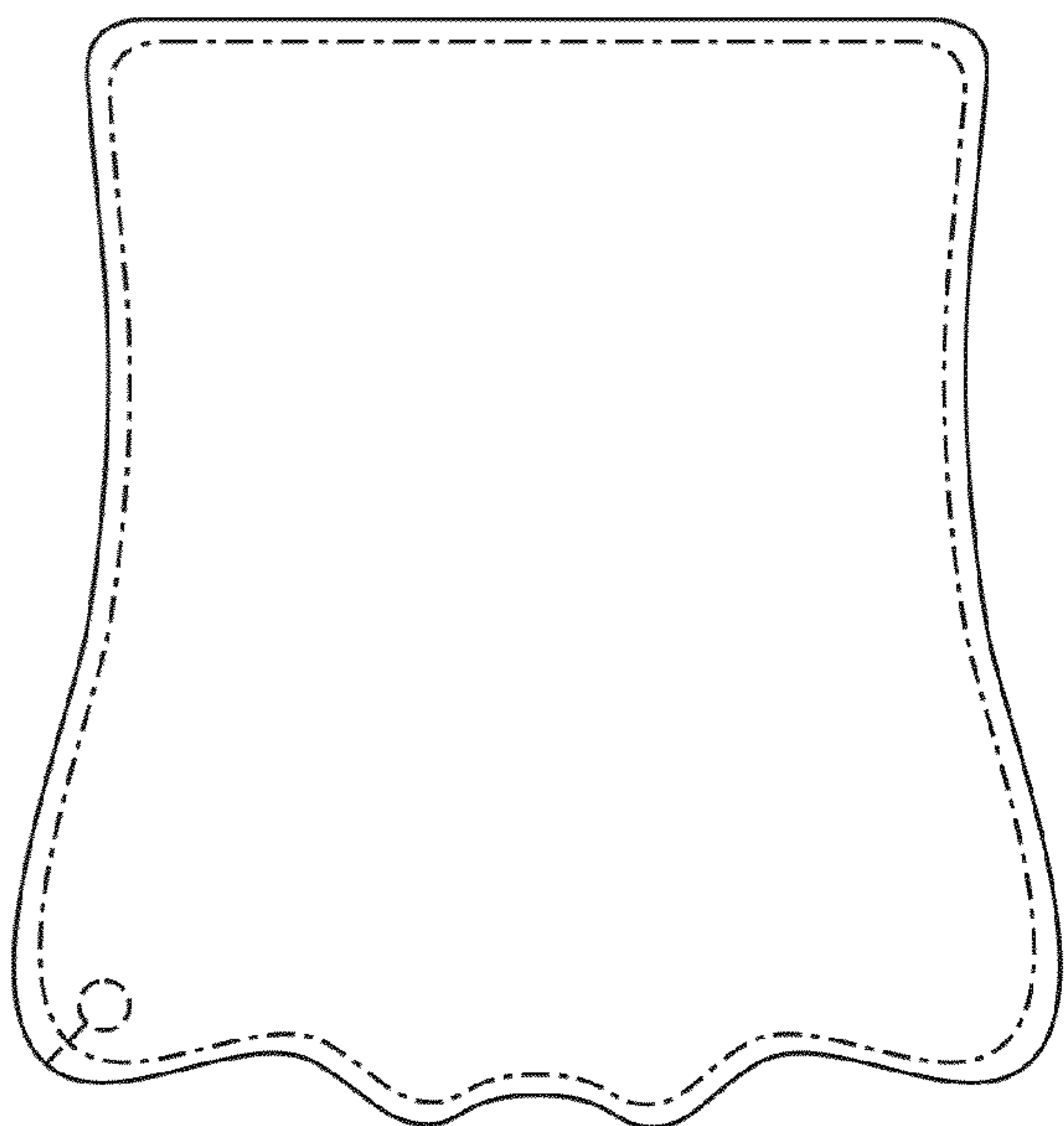


Fig. 10

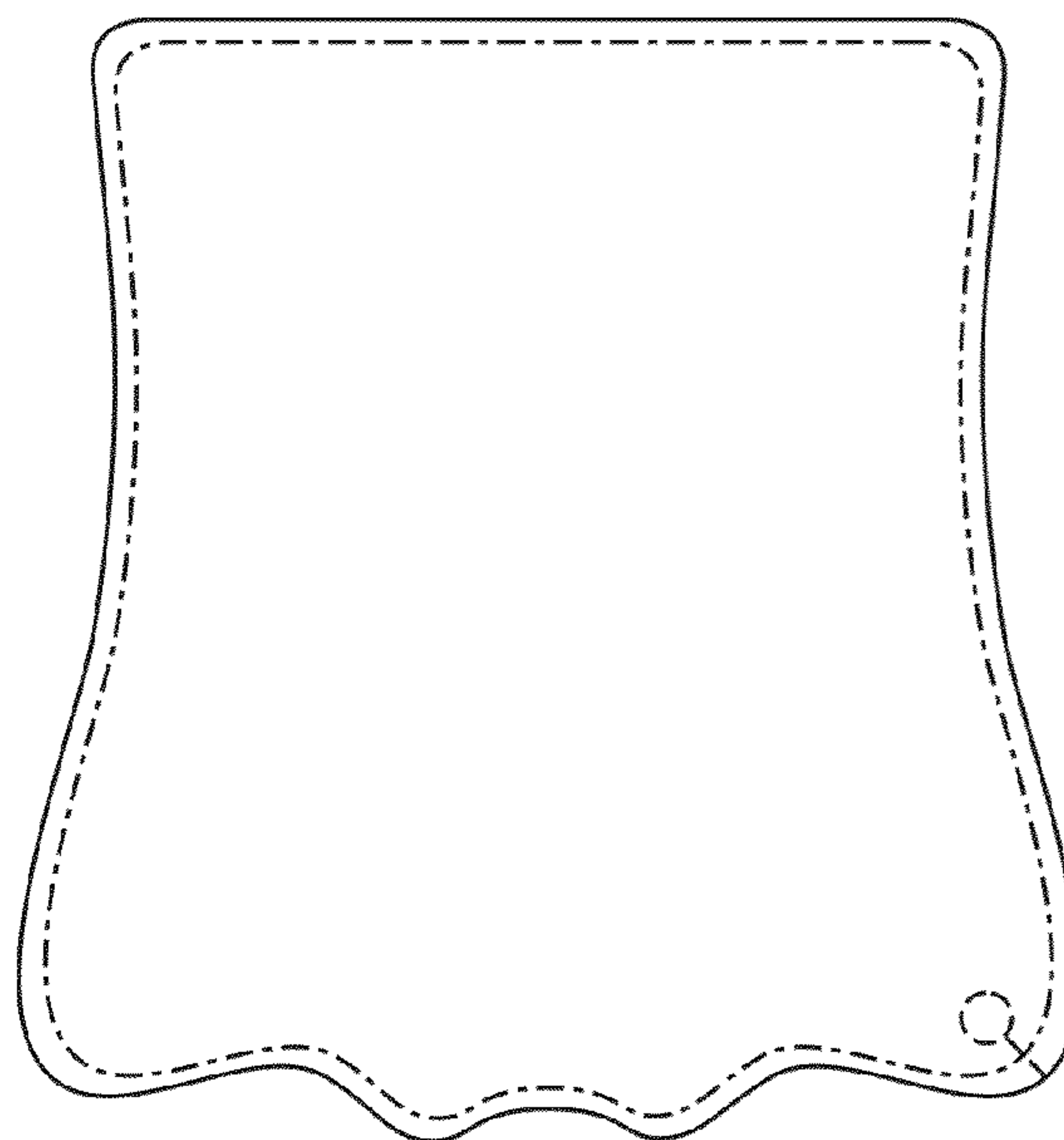


Fig. 11

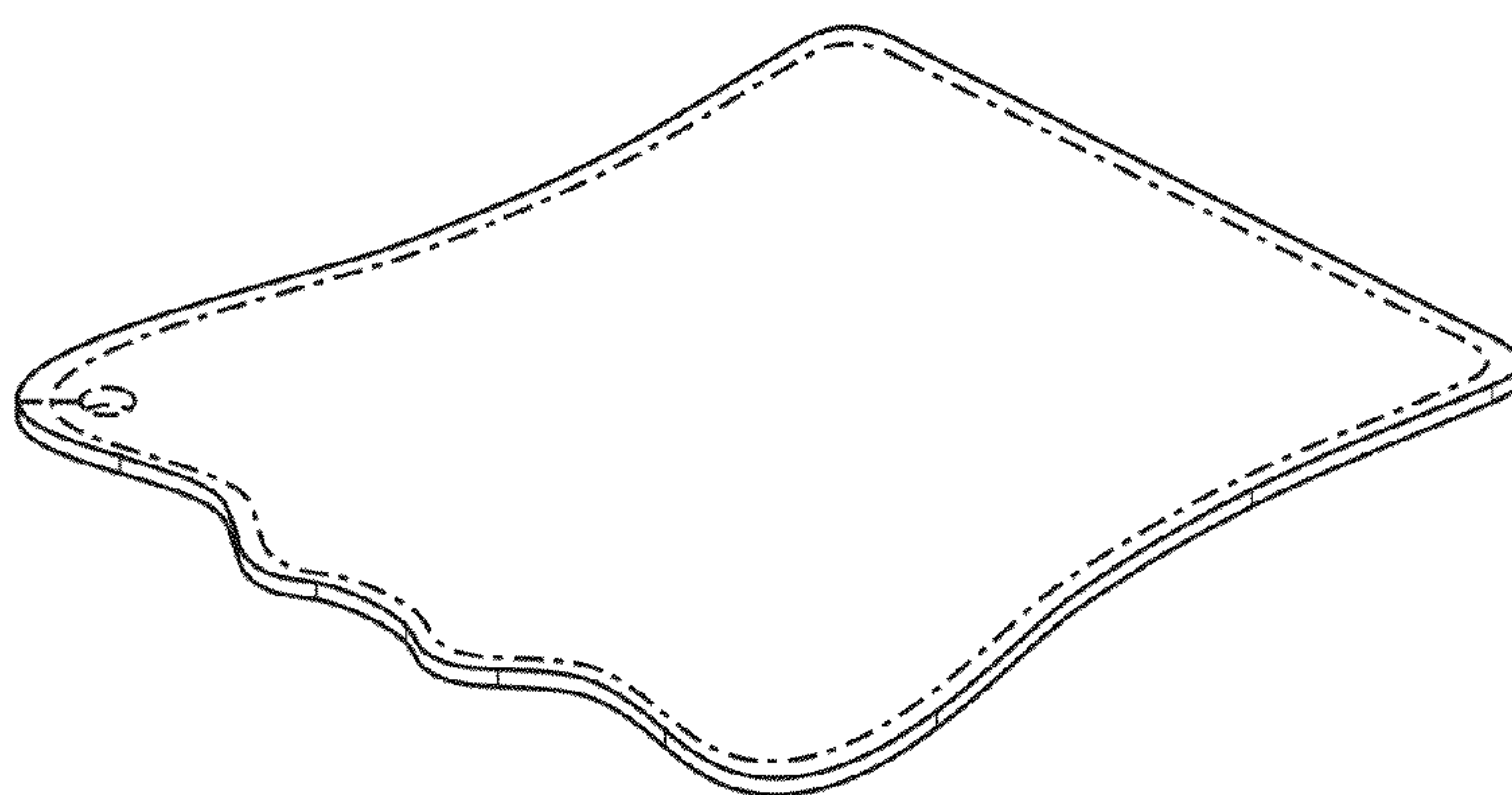


Fig. 12





Fig. 13



Fig. 14



Fig. 15

Fig. 16