



US00D672816S

(12) **United States Design Patent**
Li

(10) **Patent No.:** **US D672,816 S**

(45) **Date of Patent:** **** Dec. 18, 2012**

(54) **MECHANICAL PENCIL**

(75) Inventor: **Bin Li**, Ningbo (CN)

(73) Assignee: **Beifa Group Co., Ltd.**, Ningbo (CN)

(**) Term: **14 Years**

(21) Appl. No.: **29/402,725**

(22) Filed: **Sep. 26, 2011**

(30) **Foreign Application Priority Data**

Mar. 24, 2011 (CN) 2011 3 0053614

(51) **LOC (9) Cl.** **19-06**

(52) **U.S. Cl.** **D19/51**

(58) **Field of Classification Search** D14/411;
D19/35, 36, 41-51, 54-58; 24/11 F, 11 P,
24/11 R; 401/52, 99-109, 192, 195, 196

See application file for complete search history.

(56) **References Cited**

U.S. PATENT DOCUMENTS

D258,219 S *	2/1981	Oka	D19/49
D352,311 S	11/1994	Waldinger		
D383,494 S	9/1997	Polenberg		
D408,057 S	4/1999	Izushima		
D425,559 S *	5/2000	Beneyto	D19/51
D450,768 S	11/2001	Keda		
D488,188 S	4/2004	Keda		
D523,081 S *	6/2006	Beneyto	D19/51
D545,367 S *	6/2007	Ternovits	D19/51
D546,882 S *	7/2007	Qiu	D19/50

D574,890 S	8/2008	Avenatti		
D589,559 S *	3/2009	Slemp	D19/51
D611,538 S *	3/2010	Zhou	D19/51
D619,651 S *	7/2010	Zhang	D19/51
D651,243 S *	12/2011	Yuan	D19/49
D664,196 S *	7/2012	Buchler	D19/48
2011/0318083 A1 *	12/2011	Yoon	401/106

OTHER PUBLICATIONS

Yuan, F., "Writing Instrument," U.S. Appl. No. 29/400,016, filed Aug. 22, 2011.

* cited by examiner

Primary Examiner — Elizabeth Albert

(74) *Attorney, Agent, or Firm* — Christenesen O'Connor Johnson Kindness PLLC

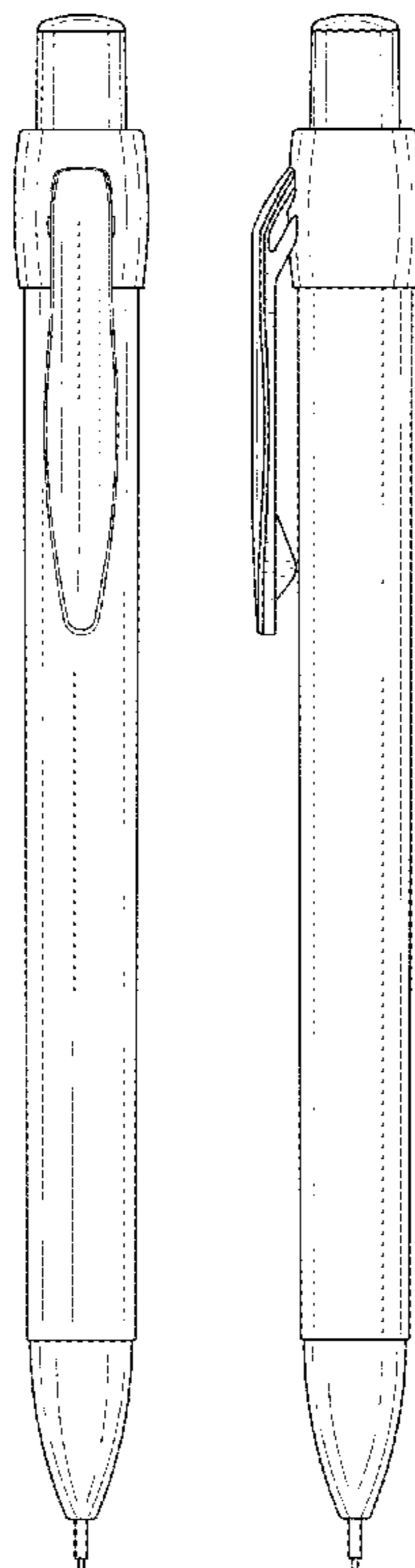
(57) **CLAIM**

The ornamental design for a mechanical pencil, as shown and described.

DESCRIPTION

FIG. 1 is an upper front left perspective view of a mechanical pencil showing my new design;
FIG. 2 is a front elevation view thereof;
FIG. 3 is a rear elevation view thereof;
FIG. 4 is a right side elevation view thereof, with the left side elevation view being a minor image of the right side elevation view;
FIG. 5 is an enlarged top plan view thereof; and,
FIG. 6 is an enlarged bottom plan view thereof.
The broken lines shown in FIGS. 1 and 5 illustrate environmental subject matter and form no part of the claimed design.

1 Claim, 4 Drawing Sheets



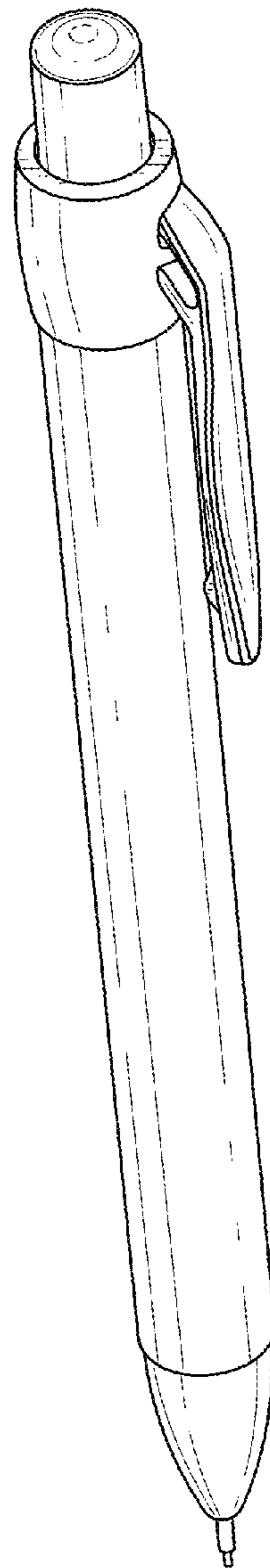


Fig. 1

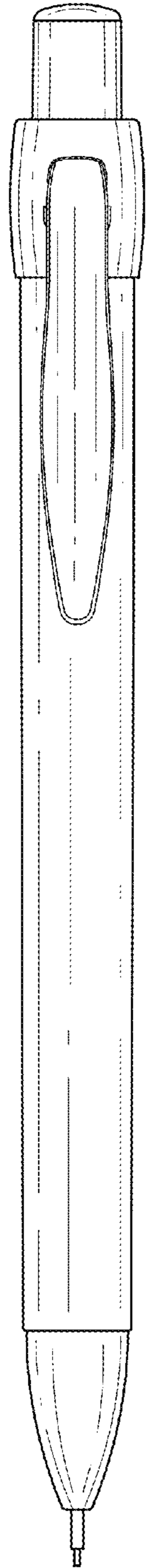


Fig. 2

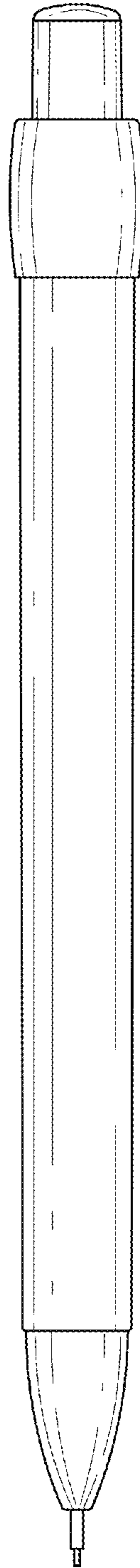


Fig. 3

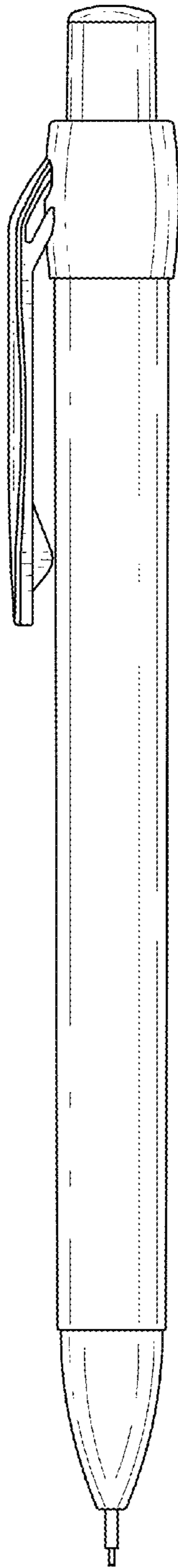


Fig. 4

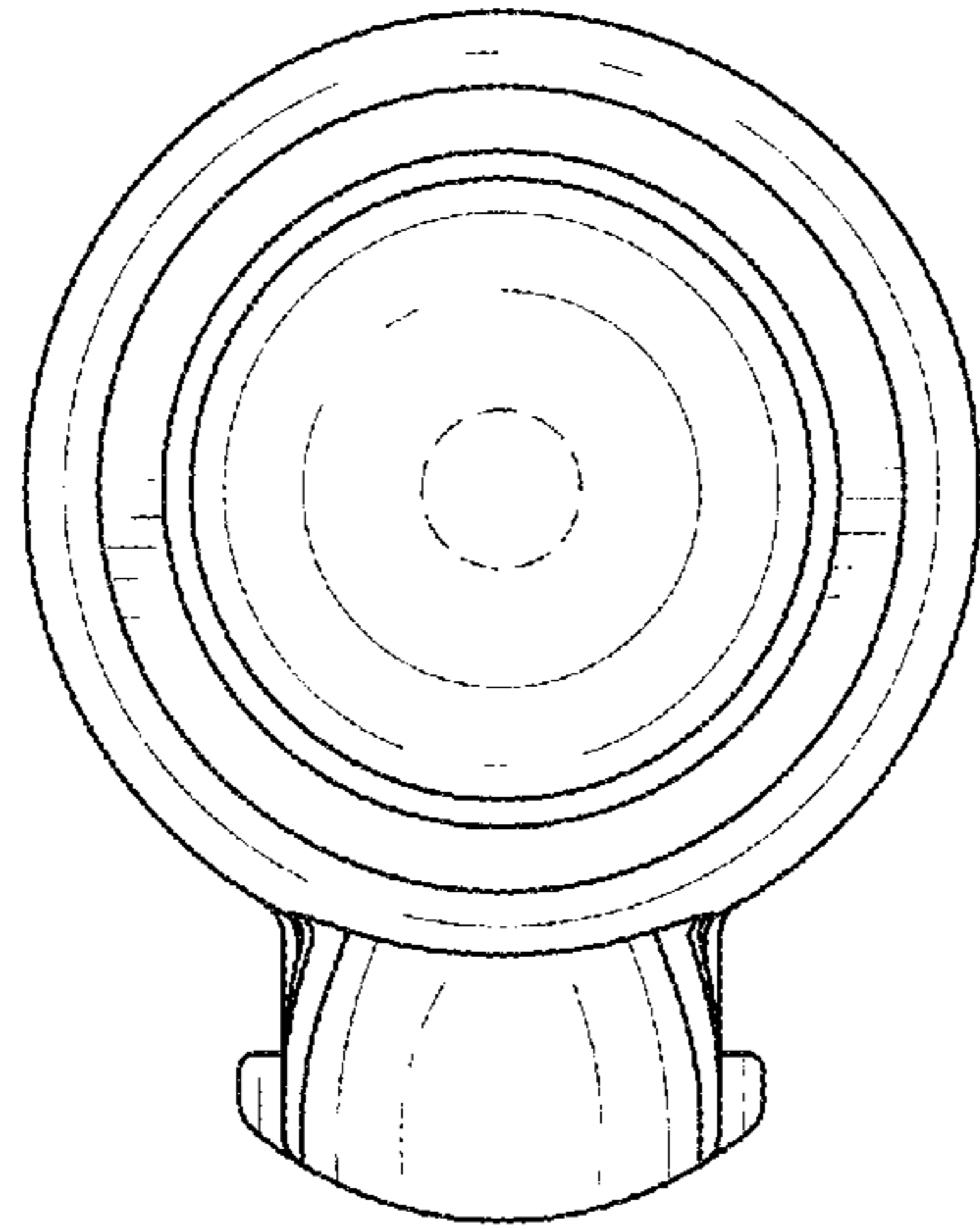


Fig. 5

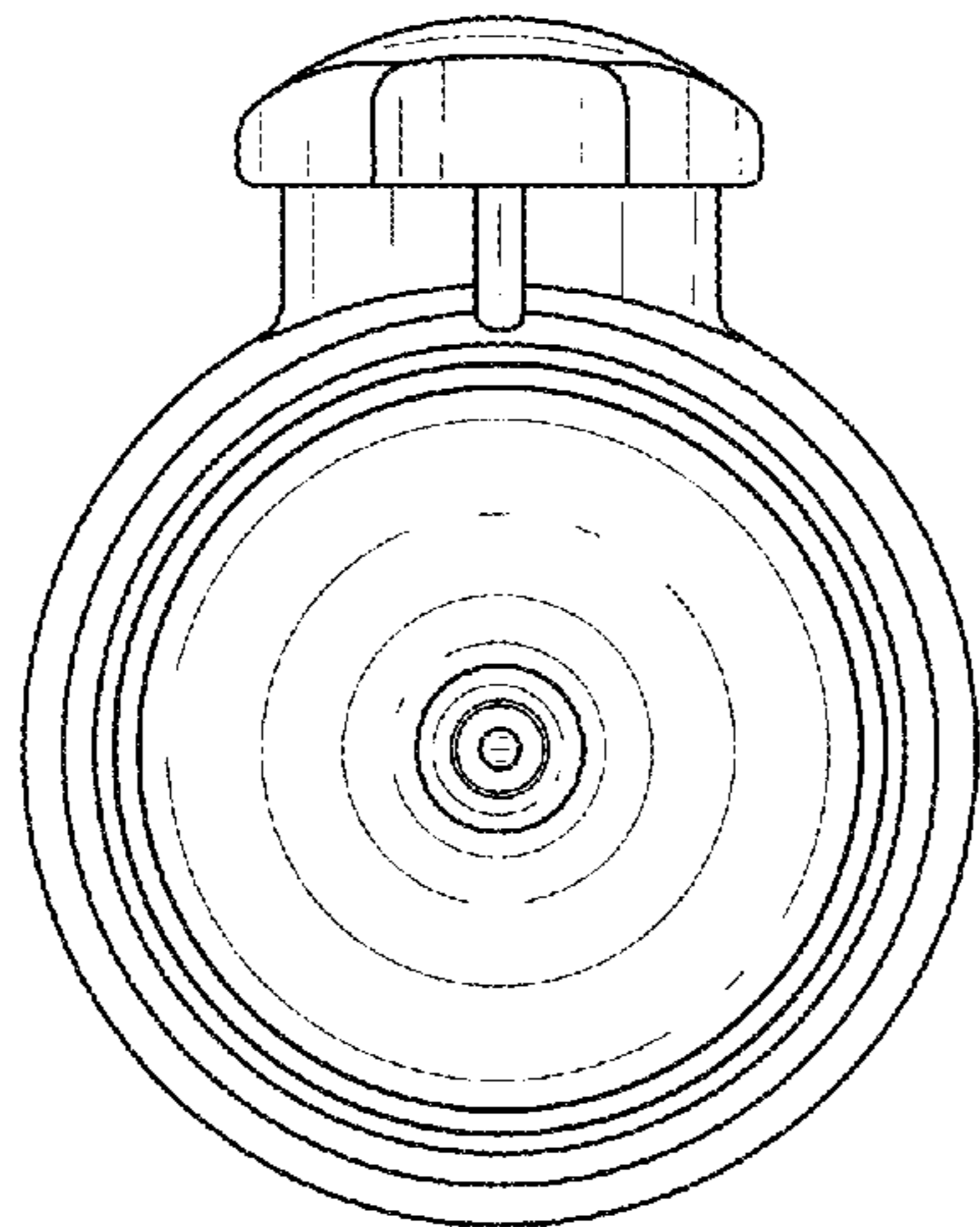


Fig. 6

UNITED STATES PATENT AND TRADEMARK OFFICE
CERTIFICATE OF CORRECTION

PATENT NO. : D672,816 S
APPLICATION NO. : 29/402725
DATED : December 18, 2012
INVENTOR(S) : B. Li

Page 1 of 1

It is certified that error appears in the above-identified patent and that said Letters Patent is hereby corrected as shown below:

On the Title Page

<u>COLUMN</u>	<u>LINE</u>	<u>ERROR</u>
(57) Pg. 1, col. 2	Description Line 6 of text	“a minor image” should read --a mirror image--

Signed and Sealed this
First Day of October, 2013



Teresa Stanek Rea
Deputy Director of the United States Patent and Trademark Office