



US00D672812S

(12) **United States Design Patent**  
**Zhang**

(10) **Patent No.:** **US D672,812 S**

(45) **Date of Patent:** **\*\* Dec. 18, 2012**

- (54) **PEN**
- (75) **Inventor:** **Youbin Zhang**, Ningbo (CN)
- (73) **Assignee:** **Beifa Group Co., Ltd.**, Ningbo (CN)
- (\*\*) **Term:** **14 Years**
- (21) **Appl. No.:** **29/403,836**
- (22) **Filed:** **Oct. 11, 2011**

D546,882 S *	7/2007	Qiu .....	D19/50
D549,778 S	8/2007	Kent	
D601,197 S *	9/2009	Zhang .....	D19/48
D626,595 S *	11/2010	Casciotti et al. ....	D19/55
D641,408 S *	7/2011	Zhang .....	D19/50
D648,387 S *	11/2011	Liang .....	D19/50
D651,241 S *	12/2011	Liang .....	D19/48
D651,245 S *	12/2011	Yuan .....	D19/50
D653,705 S *	2/2012	Pearson .....	D19/50
D663,773 S *	7/2012	Casciotti et al. ....	D19/55
D664,197 S *	7/2012	Casciotti et al. ....	D19/54
D664,594 S *	7/2012	Casciotti et al. ....	D19/55

(30) **Foreign Application Priority Data**

Apr. 18, 2011 (CN) ..... 2011 3 0079339

- (51) **LOC (9) Cl.** ..... **19-06**
- (52) **U.S. Cl.** ..... **D19/50**
- (58) **Field of Classification Search** ..... D14/411;  
D19/35, 36, 41-51, 54-58; 24/11 F, 11 P,  
24/11 R; 401/52, 99-109, 192, 195, 196  
See application file for complete search history.

(56) **References Cited**

**U.S. PATENT DOCUMENTS**

D387,804 S	12/1997	Izushima	
D454,589 S *	3/2002	Pellissa Beneyto .....	D19/48
D455,177 S *	4/2002	Chiu .....	D19/54
D458,306 S	6/2002	Moon	
D465,238 S	11/2002	Qiu	
D475,405 S	6/2003	Cetera	
D492,350 S *	6/2004	Morrow .....	D19/55
D497,643 S *	10/2004	Nishida .....	D19/51
D499,142 S *	11/2004	Morrow .....	D19/50
D502,507 S	3/2005	Wang	
D534,958 S *	1/2007	Nishida .....	D19/51
D538,853 S *	3/2007	Losel .....	D19/51
D540,866 S *	4/2007	Qiu .....	D19/48

**OTHER PUBLICATIONS**

Yuan, F., "Pen," U.S. Appl. No. 29/383,557, filed Jan. 19, 2011.  
Zhang, Y., "Pen," U.S. Appl. No. 29/403,838, filed Oct. 11, 2011.

\* cited by examiner

*Primary Examiner* — Elizabeth Albert

(74) *Attorney, Agent, or Firm* — Christensen O'Connor  
Johnson Kindness PLLC

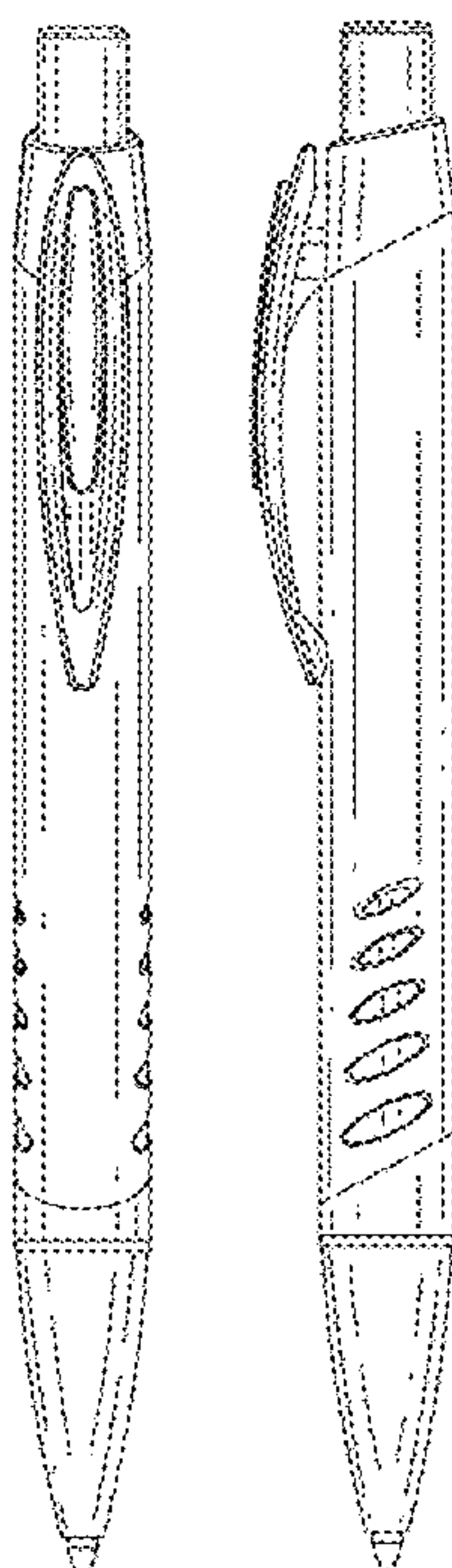
(57) **CLAIM**

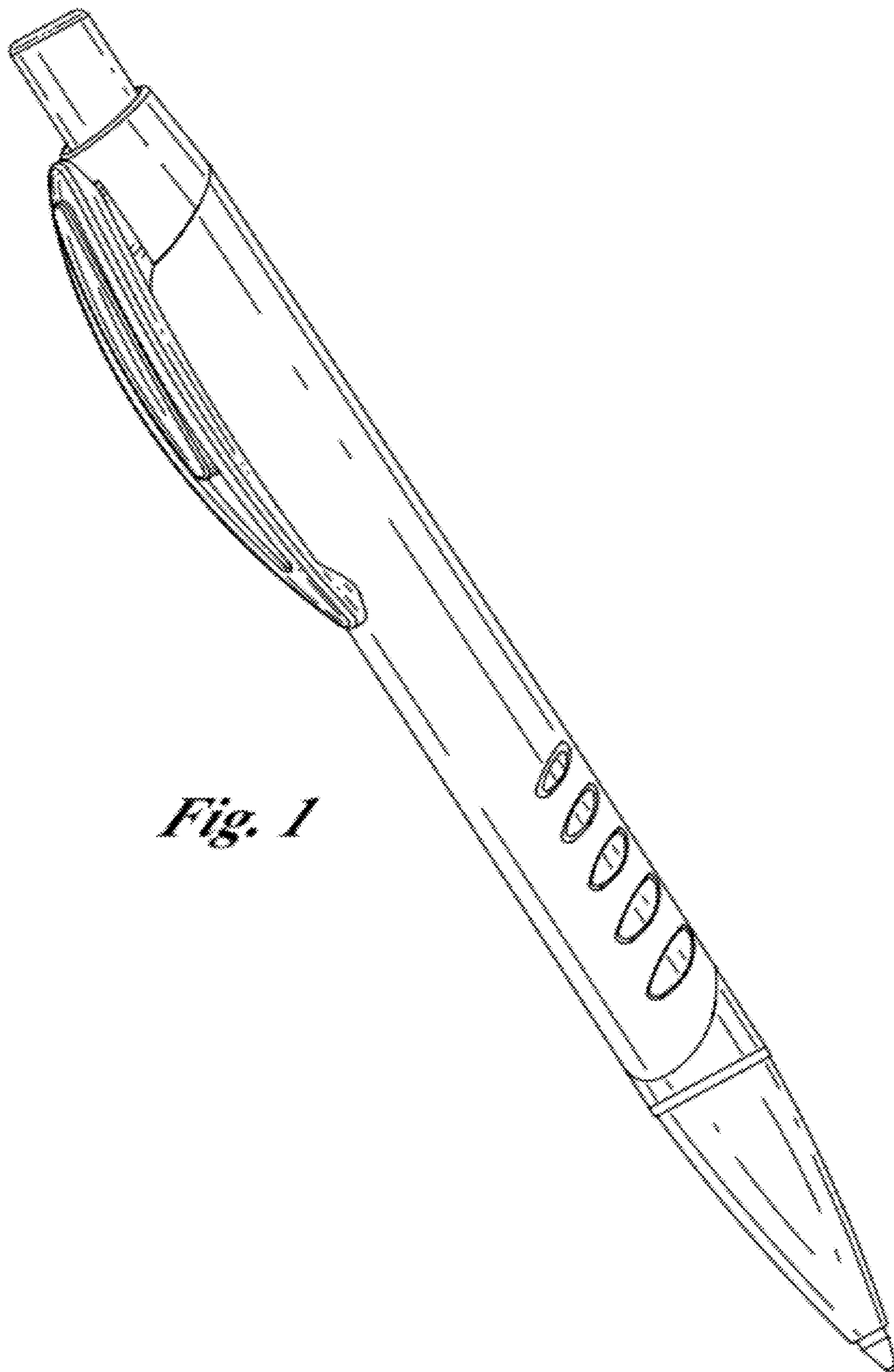
The ornamental design for a pen, as shown and described.

**DESCRIPTION**

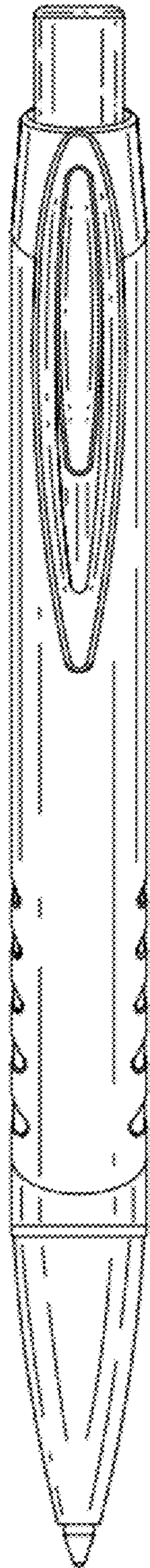
FIG. 1 is a front right perspective view of a pen showing my new design;  
FIG. 2 is a front elevation view thereof;  
FIG. 3 is a rear elevation view thereof;  
FIG. 4 is a right side elevation view thereof, with the left side elevation view being a mirror image of the right side elevation view;  
FIG. 5 is an enlarged top plan view thereof; and,  
FIG. 6 is an enlarged bottom plan view thereof.

**1 Claim, 4 Drawing Sheets**

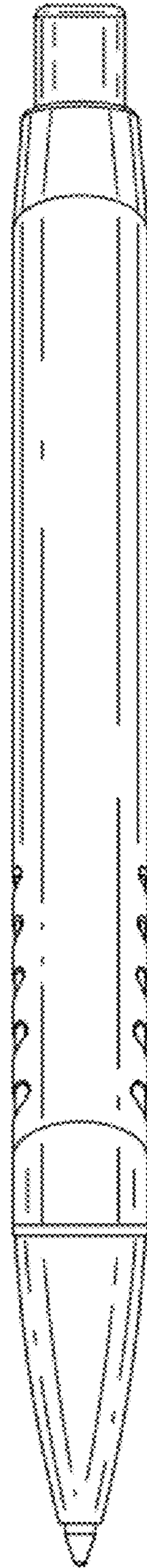




*Fig. 1*

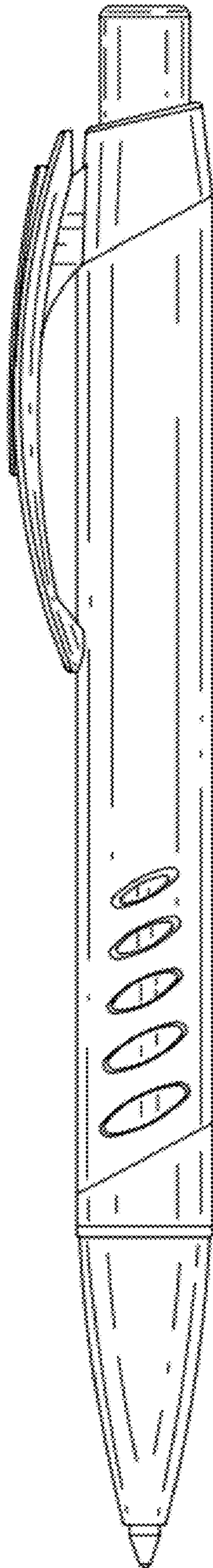


*Fig. 2*

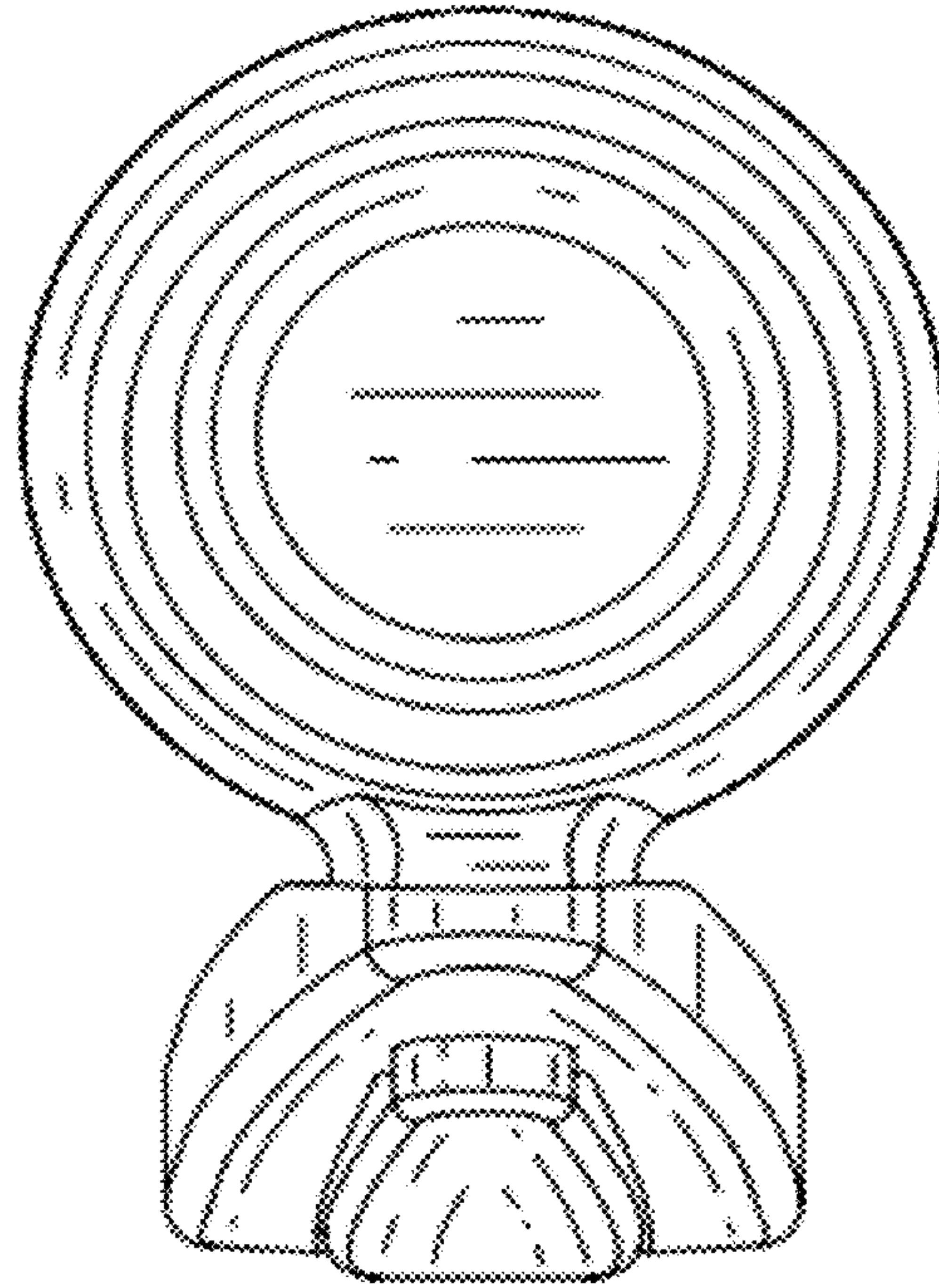


*Fig. 3*

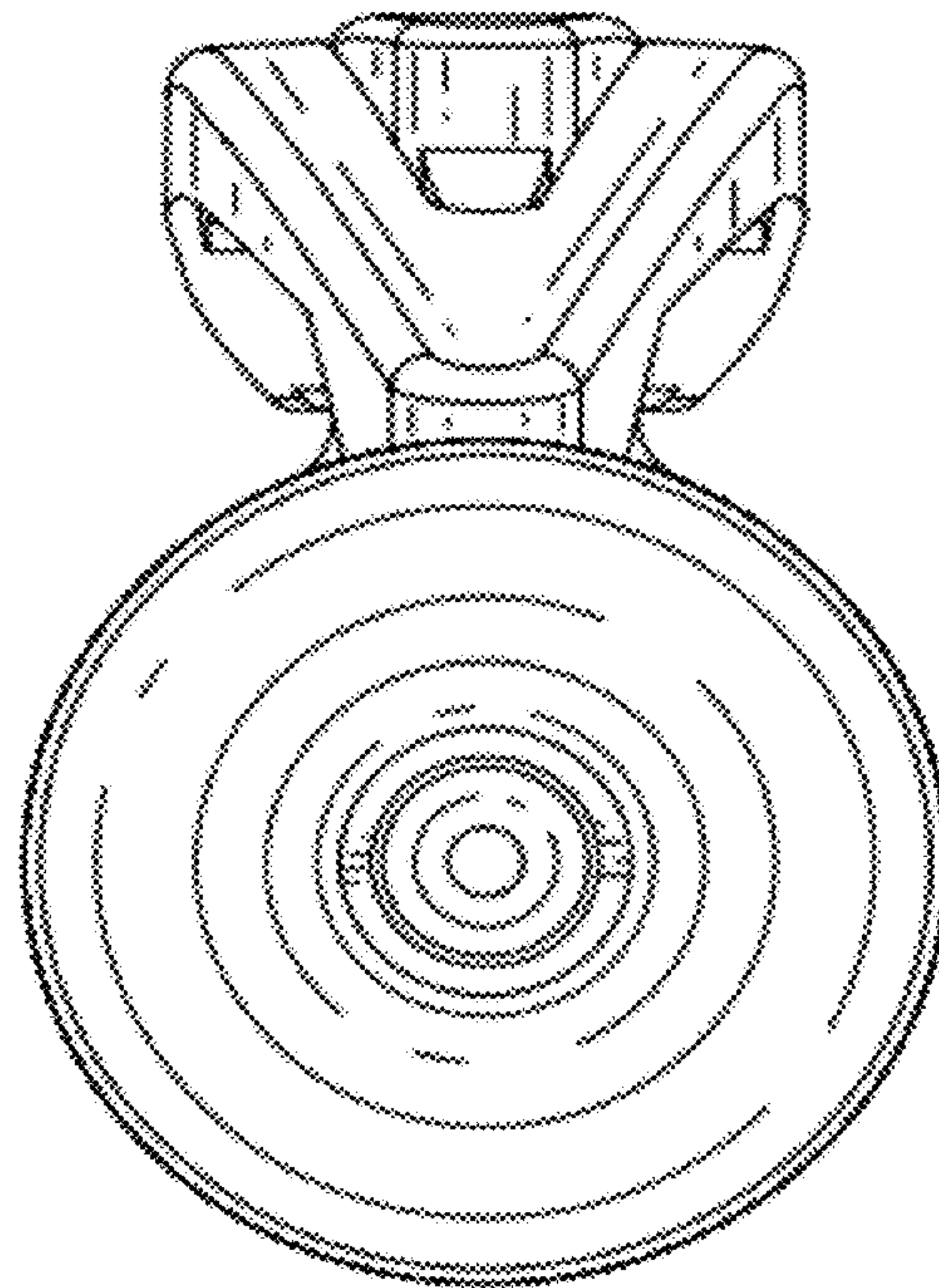




*Fig. 4*



*Fig. 5*



*Fig. 6*