



US00D672811S

(12) **United States Design Patent**  
**Li**

(10) **Patent No.:** **US D672,811 S**

(45) **Date of Patent:** **\*\* Dec. 18, 2012**

(54) **MECHANICAL PENCIL**

(75) Inventor: **Bin Li**, Ningbo (CN)

(73) Assignee: **Beifa Group Co., Ltd.**, Ningbo (CN)

(\*\*) Term: **14 Years**

(21) Appl. No.: **29/402,530**

(22) Filed: **Sep. 23, 2011**

(30) **Foreign Application Priority Data**

Mar. 24, 2011 (CN) ..... 2011 3 0054461

(51) **LOC (9) Cl.** ..... **19-06**

(52) **U.S. Cl.** ..... **D19/48**

(58) **Field of Classification Search** ..... D14/411;

D19/35, 36, 41-51, 54-58; 24/11 F, 11 P,

24/11 R; 401/52, 99-109, 192, 195, 196

See application file for complete search history.

(56) **References Cited**

U.S. PATENT DOCUMENTS

D312,837 S \* 12/1990 Oka ..... D19/51

D330,565 S 10/1992 Dallaire

D338,686 S 8/1993 Ito

D394,875 S 6/1998 Izushima

D398,641 S 9/1998 Hollington

D406,277 S \* 3/1999 Lecce ..... D19/48

D410,029 S 5/1999 Melnick

D436,624 S \* 1/2001 Zier ..... D19/48

D450,769 S \* 11/2001 Nishida ..... D19/49  
D471,587 S 3/2003 Hautzinger  
D478,350 S 8/2003 Furlong  
D513,766 S \* 1/2006 Cetera ..... D19/36  
D546,884 S \* 7/2007 Ternovits ..... D19/51  
D555,728 S \* 11/2007 Satoh ..... D19/50  
D610,615 S 2/2010 Li  
D626,996 S \* 11/2010 Leibeck ..... D19/48  
D665,024 S \* 8/2012 Shimizu ..... D19/48  
2006/0239761 A1 \* 10/2006 Cetera ..... 401/258

\* cited by examiner

*Primary Examiner* — Elizabeth Albert

(74) *Attorney, Agent, or Firm* — Christensen O'Connor Johnson Kindness PLLC

(57) **CLAIM**

The ornamental design for a mechanical pencil, as shown and described.

**DESCRIPTION**

FIG. 1 is an upper front right perspective view of a mechanical pencil showing my new design;

FIG. 2 is a front elevation view thereof;

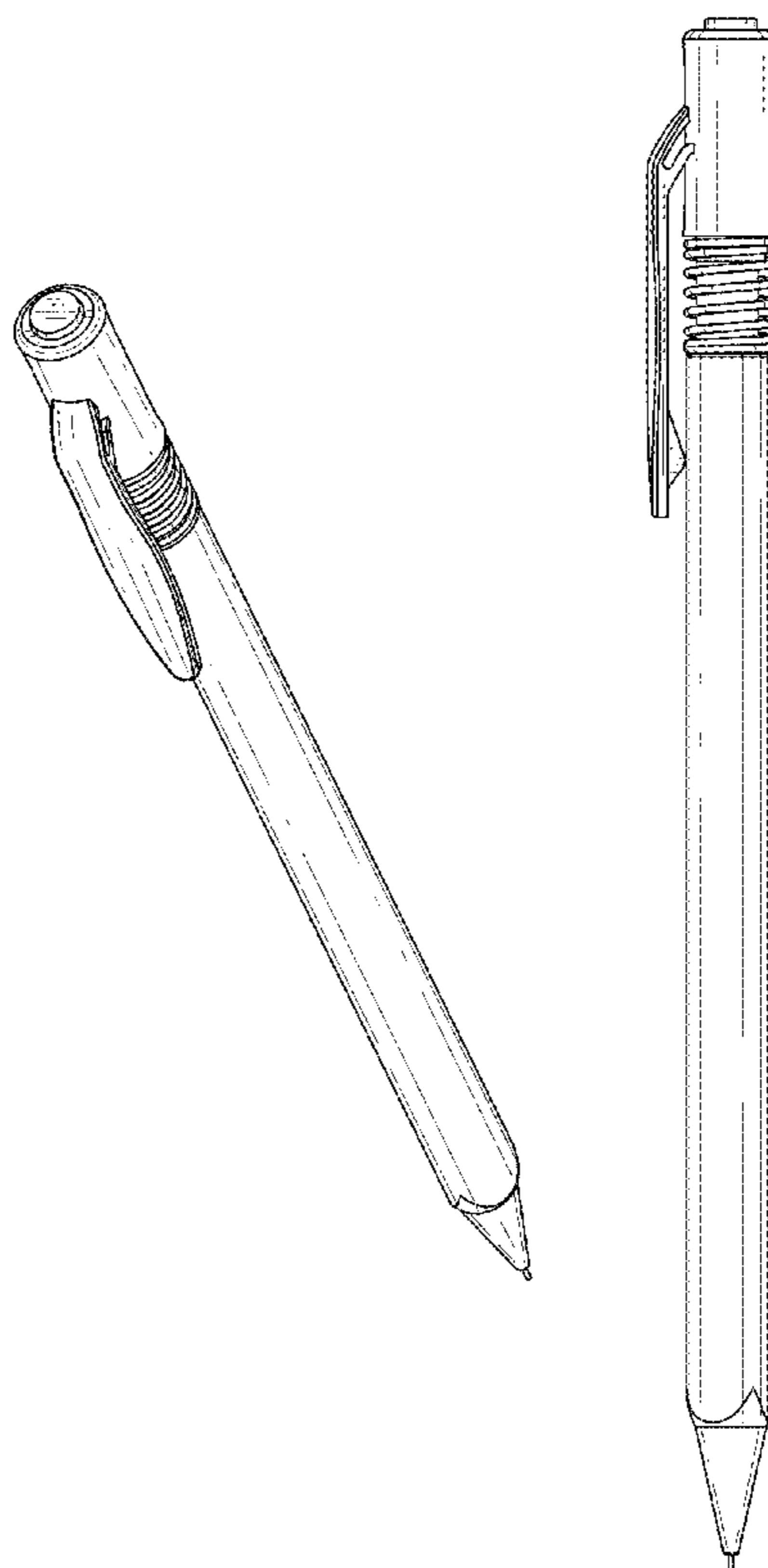
FIG. 3 is a rear elevation view thereof;

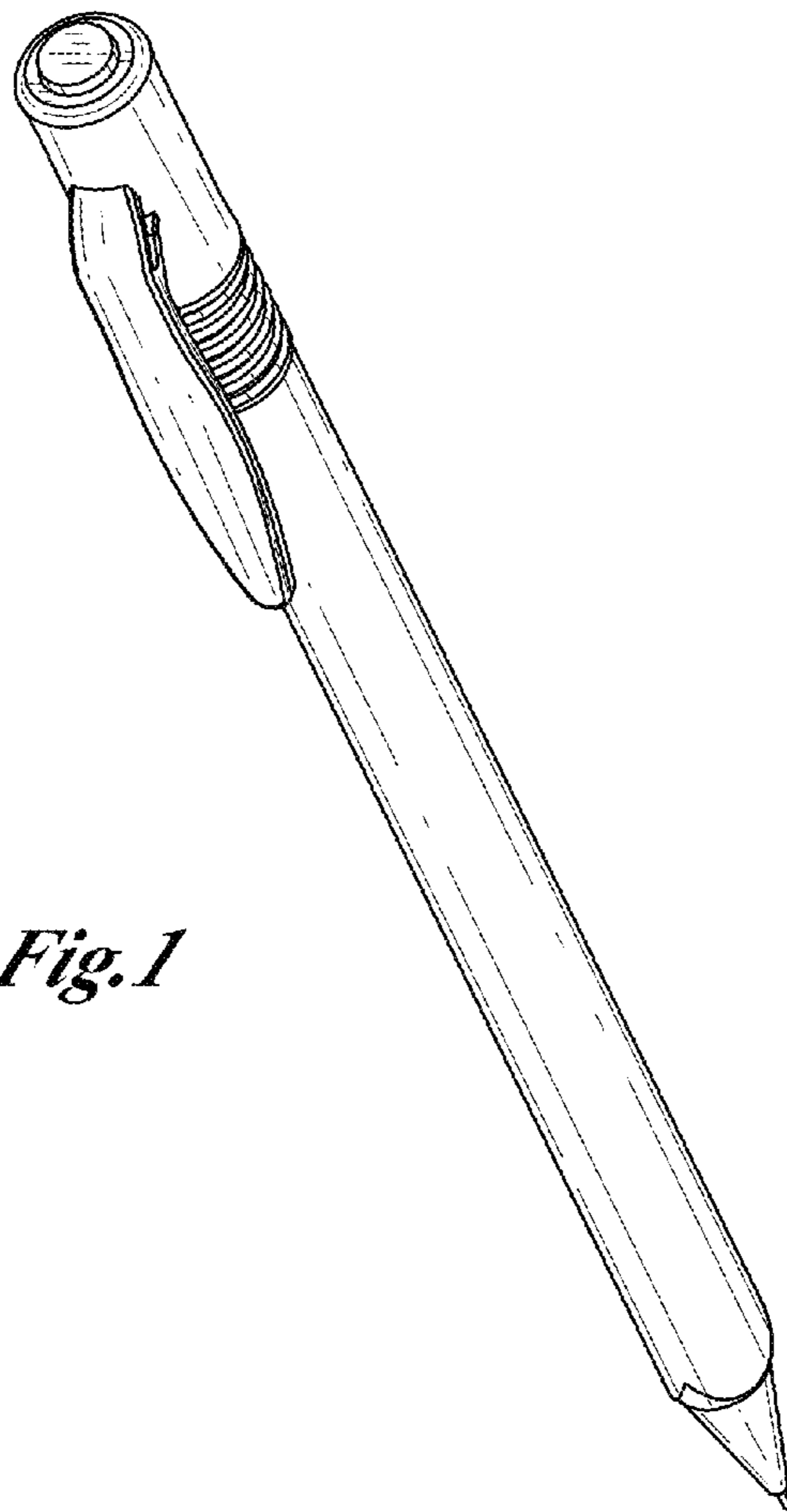
FIG. 4 is a right side elevation view thereof, with the left side elevation view being a mirror image of the right side elevation view;

FIG. 5 is an enlarged top plan view thereof; and,

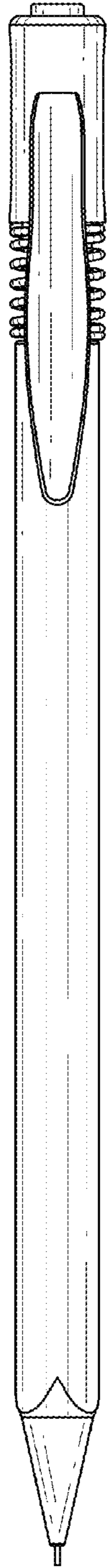
FIG. 6 is an enlarged bottom plan view thereof.

**1 Claim, 4 Drawing Sheets**

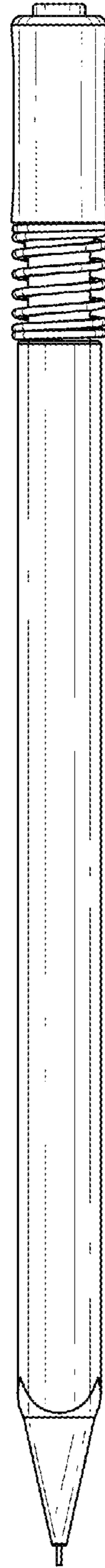




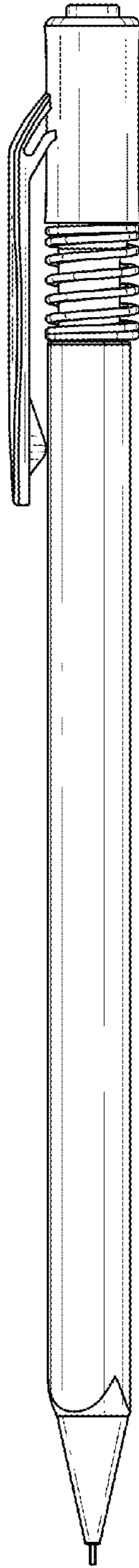
*Fig. 1*



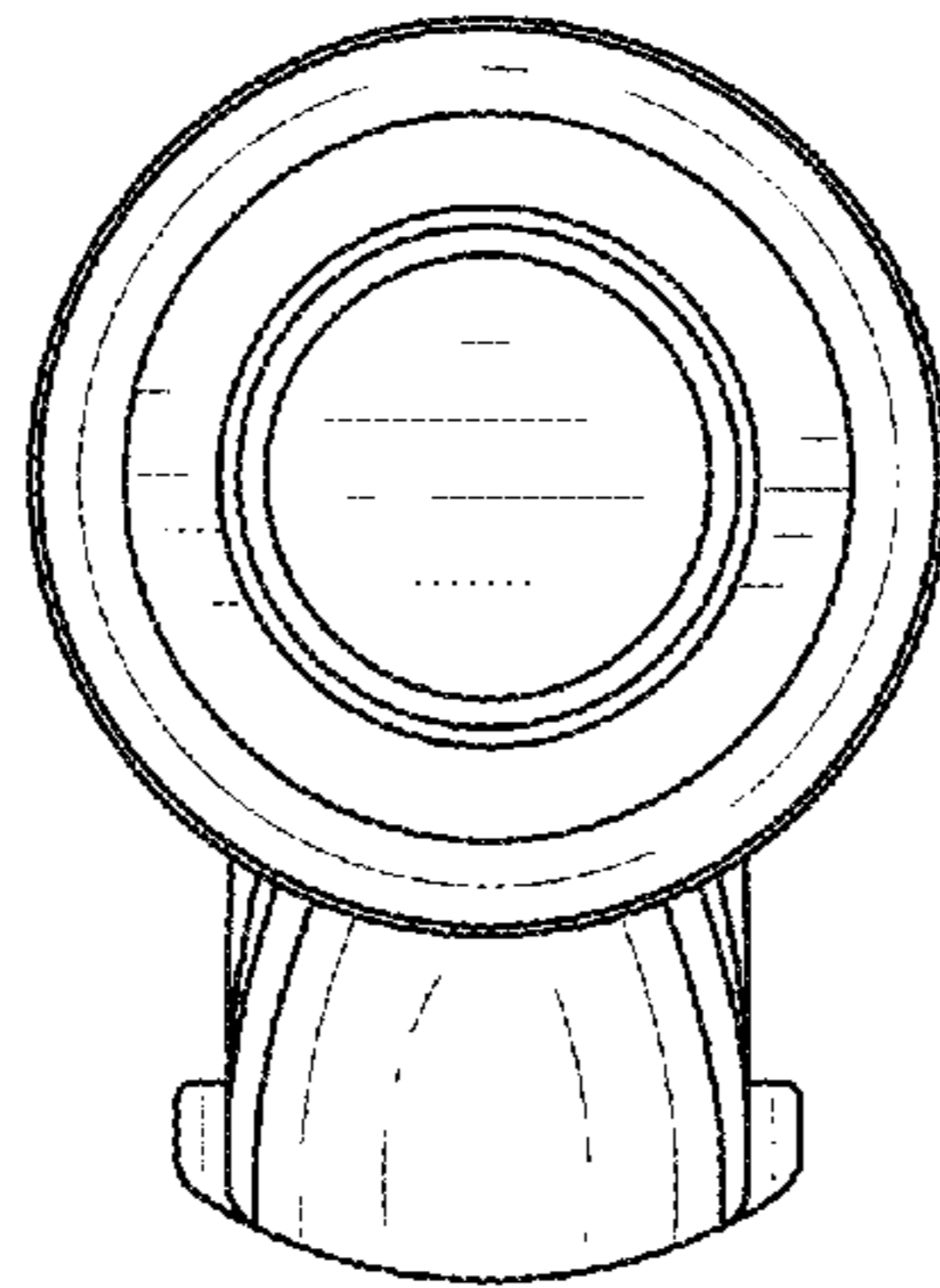
*Fig. 2*



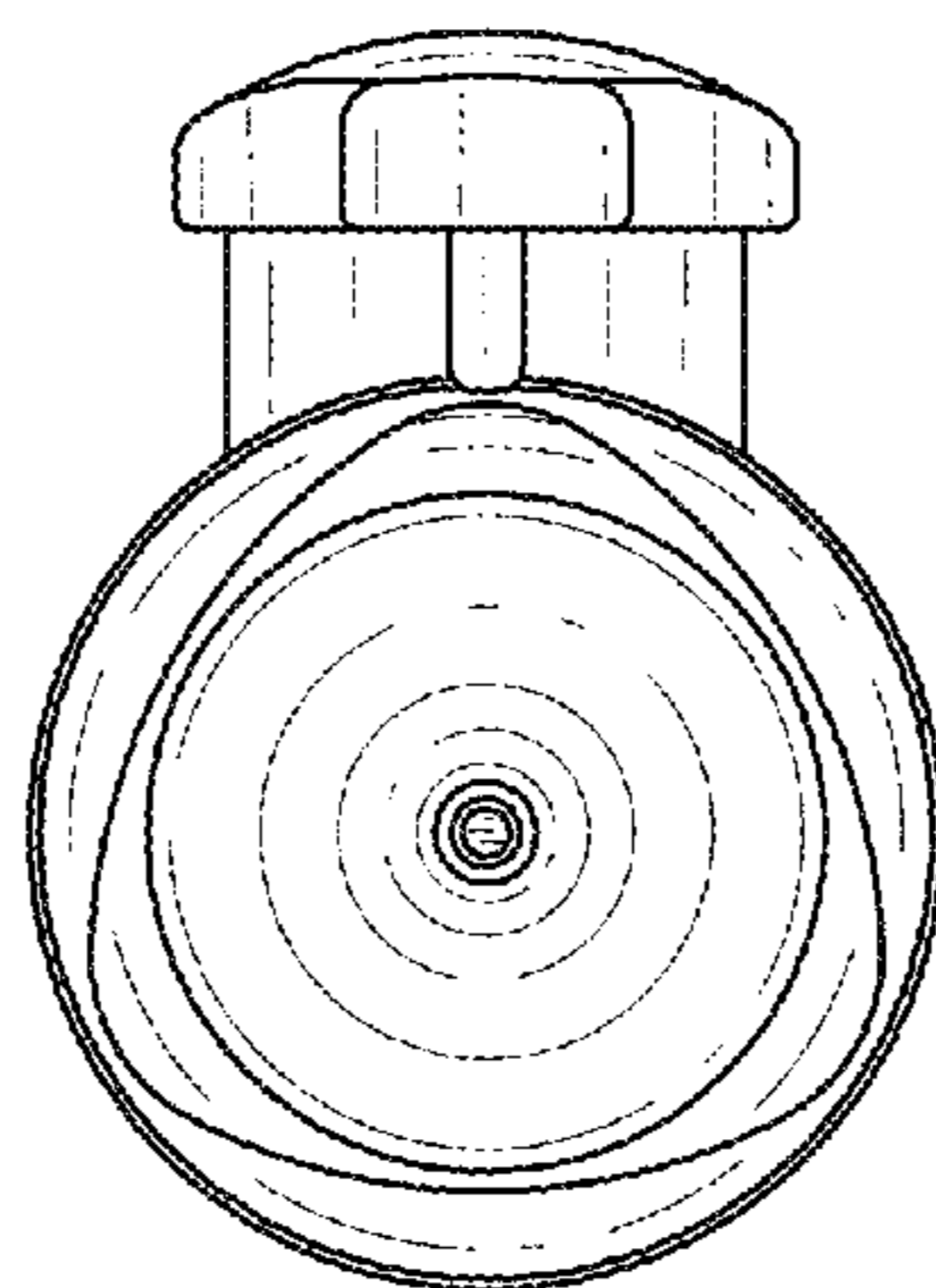
*Fig. 3*



*Fig. 4*



*Fig. 5*



*Fig. 6*