



US00D672809S

(12) **United States Design Patent**  
**Jiang et al.**

(10) **Patent No.:** **US D672,809 S**

(45) **Date of Patent:** **\*\* Dec. 18, 2012**

(54) **PEN**  
(75) Inventors: **Linghua Jiang**, Ningbo (CN); **Wenyan Liang**, Ningbo (CN)  
(73) Assignee: **Beifa Group Co., Ltd.**, Ningbo (CN)  
(\*\*) Term: **14 Years**  
(21) Appl. No.: **29/389,690**  
(22) Filed: **Apr. 14, 2011**

D484,536 S 12/2003 Takanashi  
D530,745 S 10/2006 Kent  
D530,748 S \* 10/2006 Kent et al. .... D19/57  
D539,346 S \* 3/2007 Song ..... D19/43  
D540,383 S 4/2007 Nishida  
D540,384 S 4/2007 Qiu  
D546,386 S 7/2007 Qiu  
D546,387 S \* 7/2007 Qiu ..... D19/43  
D549,775 S \* 8/2007 Kent et al. .... D19/48  
D552,175 S \* 10/2007 Boerio ..... D19/49  
D586,853 S \* 2/2009 Tan ..... D19/49

(Continued)

(30) **Foreign Application Priority Data**  
Oct. 14, 2010 (CN) ..... 2010 3 0567713  
(51) **LOC (9) Cl.** ..... **19-06**  
(52) **U.S. Cl.** ..... **D19/43**  
(58) **Field of Classification Search** ..... D19/35,  
D19/36, 41-51, 54-58; D14/411; 24/11 F,  
24/11 P, 11 R; 401/52, 99-109, 192, 195,  
401/196  
See application file for complete search history.

**OTHER PUBLICATIONS**

Jiang, L., "Pen," U.S. Appl. No. 29/389,625, filed Apr. 14, 2011.  
Liang, W., "Pen," U.S. Appl. No. 29/389,574, filed Apr. 13, 2011.

(Continued)

*Primary Examiner* — Elizabeth Albert  
(74) *Attorney, Agent, or Firm* — Christensen O'Connor Johnson Kindness PLLC

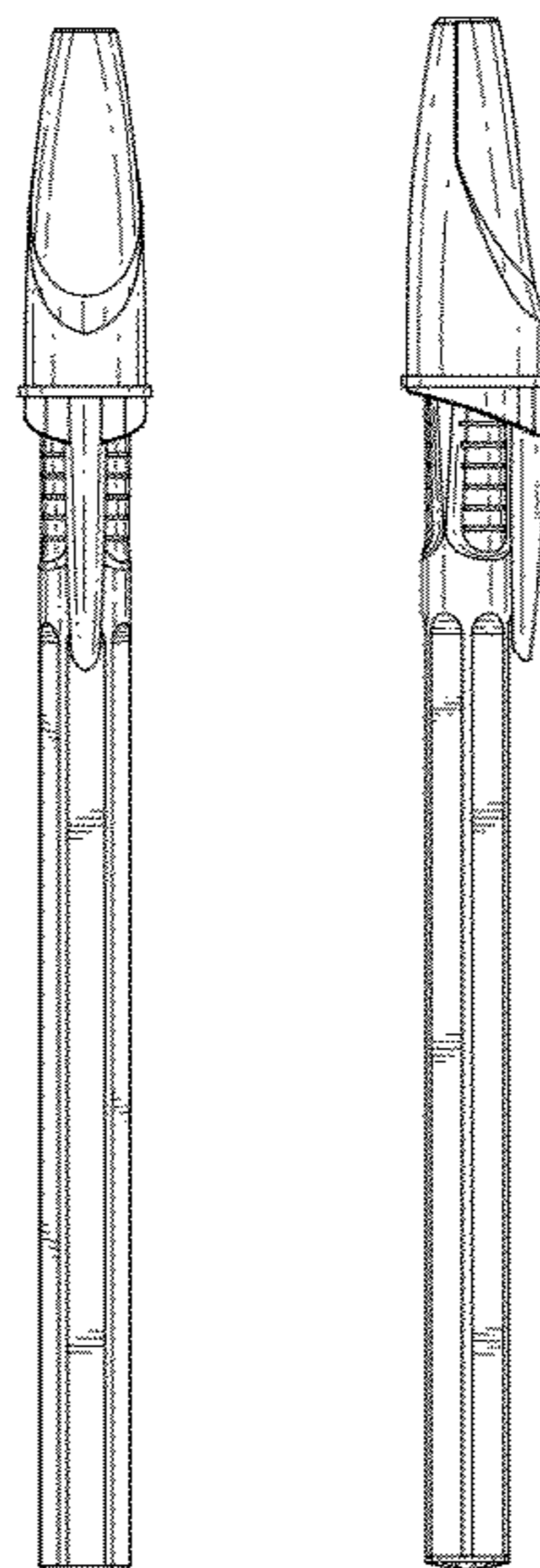
(56) **References Cited**  
**U.S. PATENT DOCUMENTS**  
D206,735 S \* 1/1967 Levy ..... D19/57  
D221,033 S \* 6/1971 Wakai ..... D19/43  
3,774,389 A \* 11/1973 Wilken ..... 368/216  
D273,399 S \* 4/1984 Zierhut ..... D19/57  
D273,400 S \* 4/1984 Zierhut ..... D19/57  
D273,401 S \* 4/1984 Zierhut ..... D19/57  
D284,676 S \* 7/1986 Malm ..... D19/51  
D328,311 S 7/1992 Nitta  
5,174,672 A \* 12/1992 Townsend ..... 401/6  
5,230,578 A \* 7/1993 Fuhrmann et al. .... 401/202  
D363,308 S 10/1995 Sekine  
D374,460 S 10/1996 Young  
D377,194 S 1/1997 Young  
5,599,127 A \* 2/1997 Fuhrmann et al. .... 401/202  
D383,780 S 9/1997 Young  
D391,153 S \* 2/1998 Poisson et al. .... D19/48

(57) **CLAIM**  
The ornamental design for a pen, as shown and described.

**DESCRIPTION**

FIG. 1 is a front left perspective view of a pen showing our new design;  
FIG. 2 is a front elevation view thereof;  
FIG. 3 is a rear elevation view thereof;  
FIG. 4 is a left side elevation view thereof, with the right side elevation view being a mirror image of the left side elevation view;  
FIG. 5 is an enlarged top plan view thereof; and,  
FIG. 6 is an enlarged bottom plan view thereof.  
The broken lines shown in FIGS. 5 and 6 illustrate environmental subject matter and form no part of the claimed design.

**1 Claim, 3 Drawing Sheets**



# US D672,809 S

Page 2

---

## U.S. PATENT DOCUMENTS

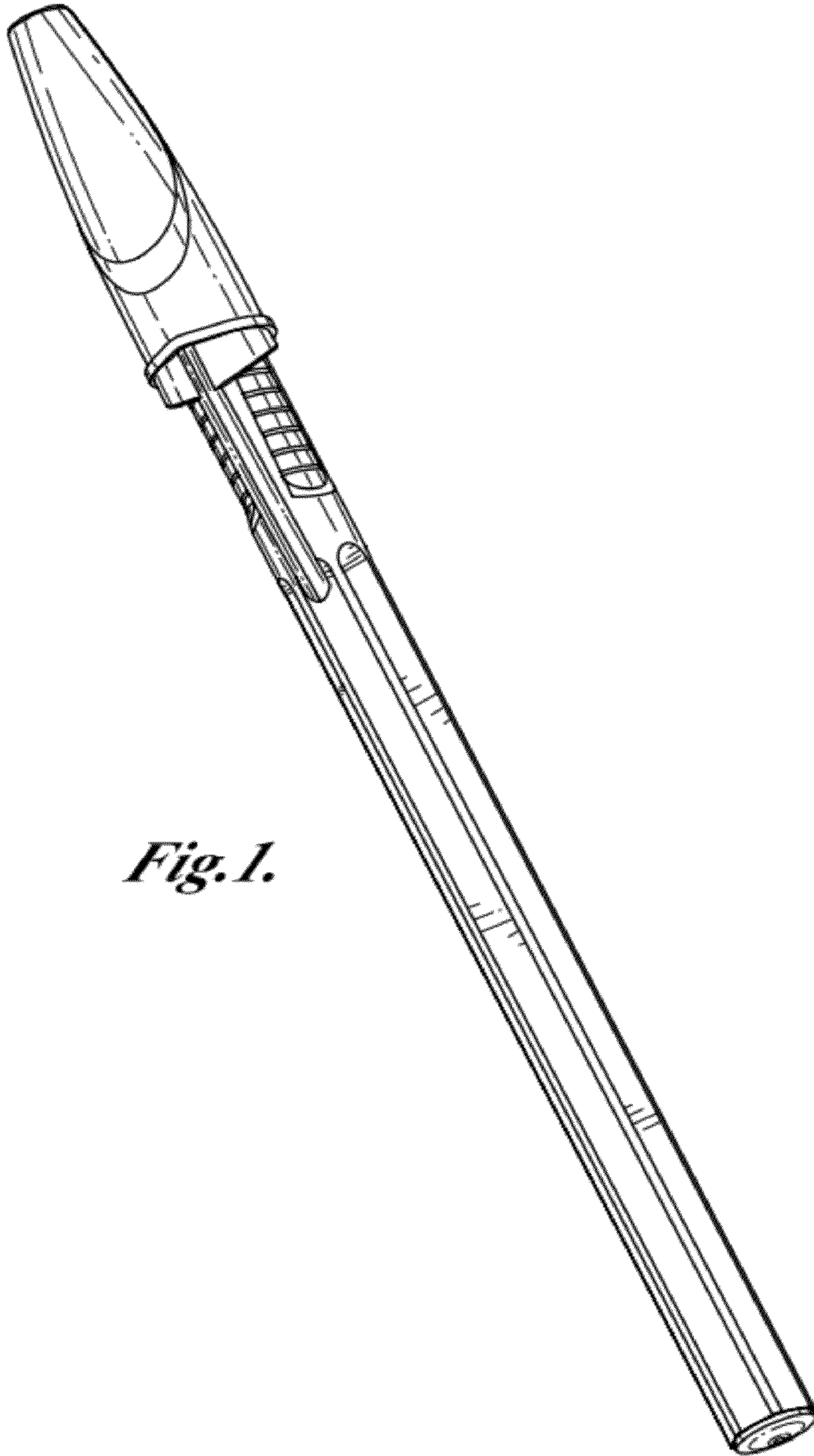
D586,854 S \* 2/2009 Tan ..... D19/49  
D612,426 S \* 3/2010 Suero et al. .... D19/41  
D616,935 S 6/2010 Zhang  
D647,961 S \* 11/2011 Zhang ..... D19/43  
D648,386 S \* 11/2011 Zhang ..... D19/43  
D655,337 S \* 3/2012 Zhang ..... D19/45

## OTHER PUBLICATIONS

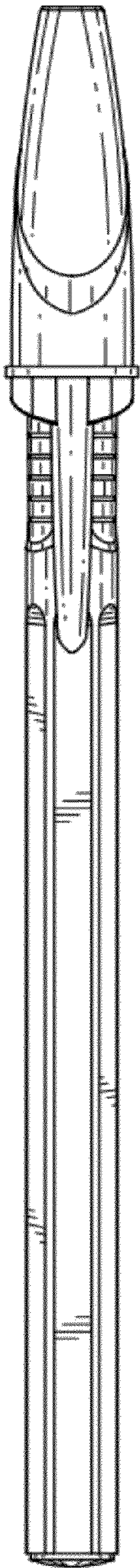
Liang, W., and L. Jiang, "Pen," U.S. Appl. No. 29/389,688, filed Apr. 14, 2011.

Xie, J., "Pen," U.S. Appl. No. 29/389,633, filed Apr. 14, 2011.

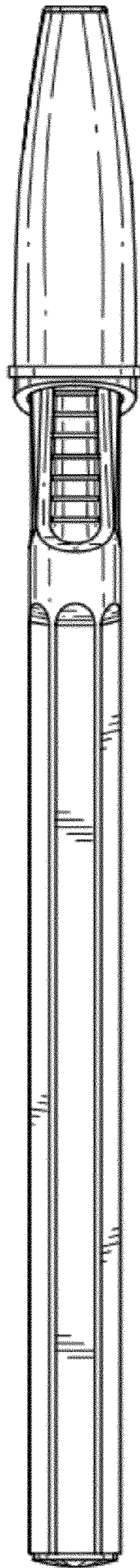
\* cited by examiner



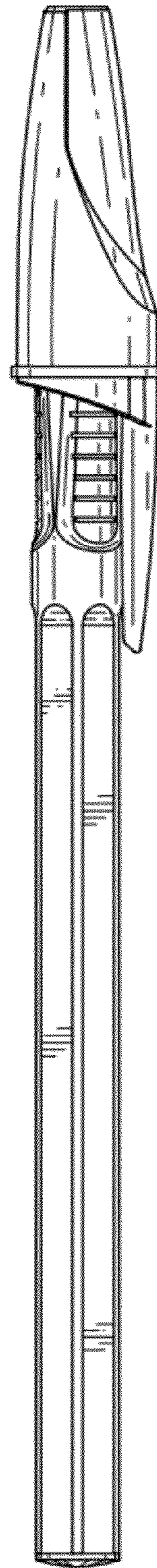
*Fig. 1.*



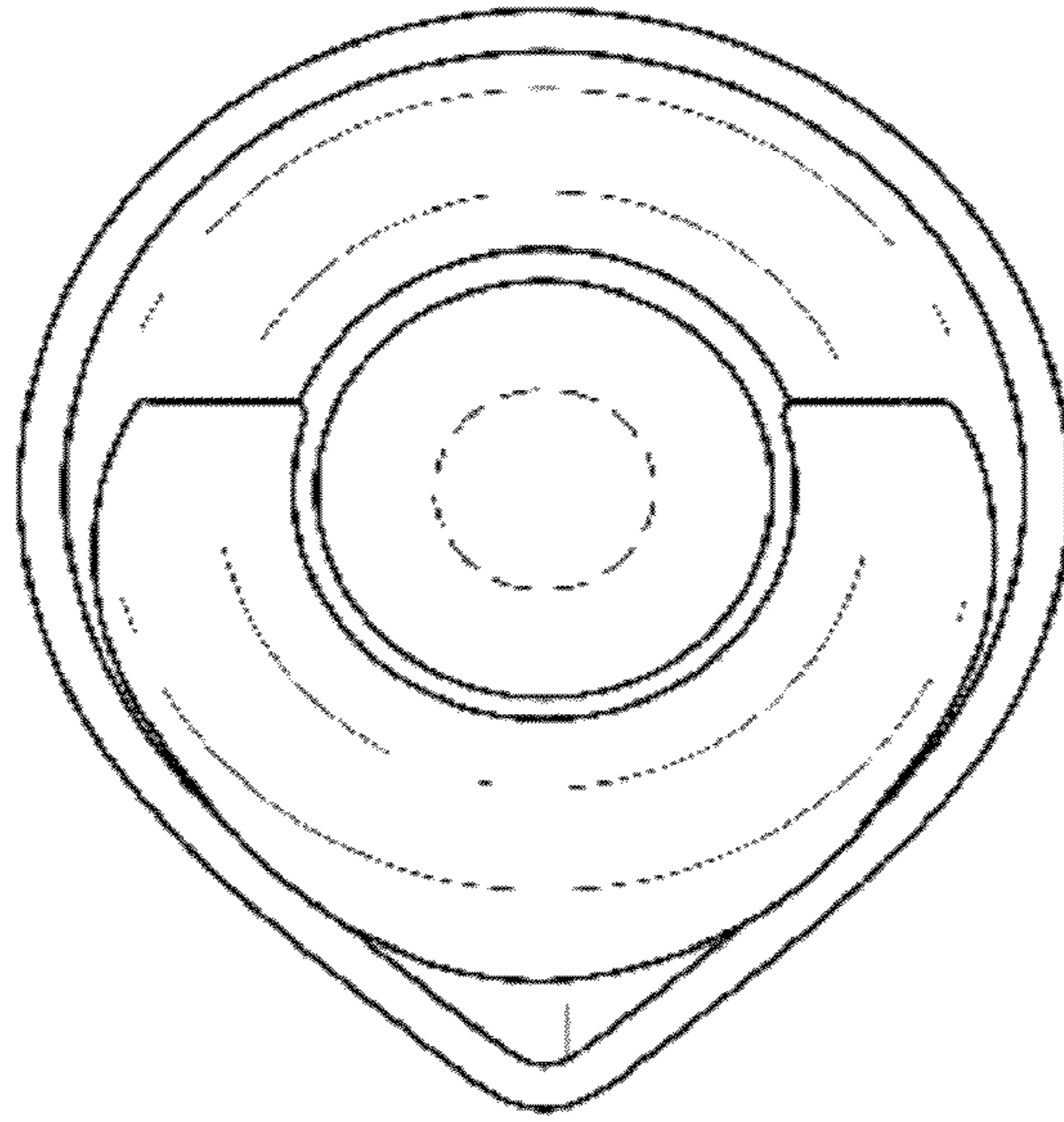
*Fig. 2.*



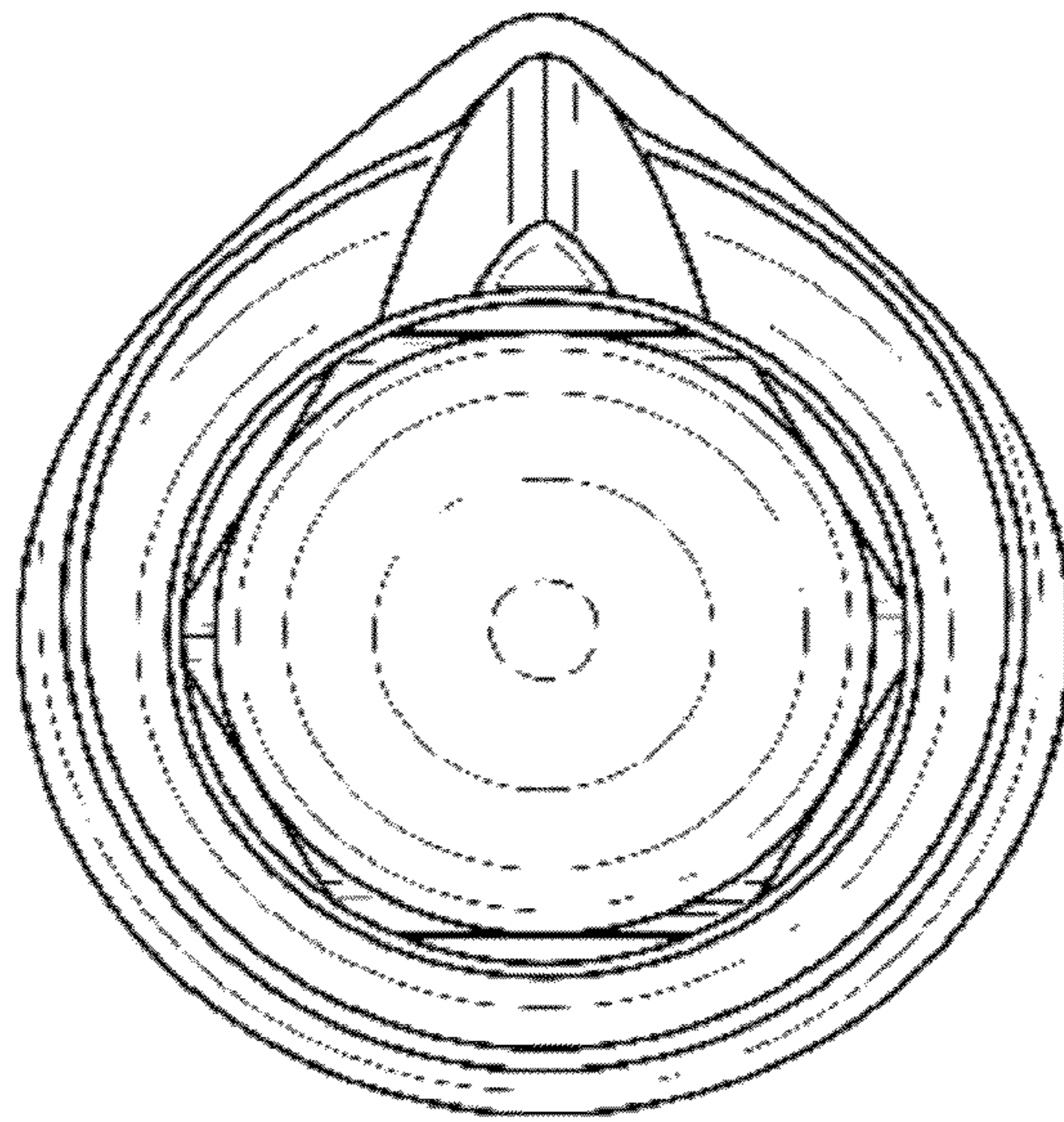
*Fig. 3.*



*Fig. 4.*



*Fig. 5.*



*Fig. 6.*

UNITED STATES PATENT AND TRADEMARK OFFICE  
**CERTIFICATE OF CORRECTION**

PATENT NO. : D672,809 S  
APPLICATION NO. : 29/389690  
DATED : December 18, 2012  
INVENTOR(S) : Jiang et al.

Page 1 of 1

It is certified that error appears in the above-identified patent and that said Letters Patent is hereby corrected as shown below:

On the Title Page:

Item (57) under Description "FIG. 1 is a front left" should read --FIG. 1 is a lower front left--

Signed and Sealed this  
Third Day of September, 2013



Teresa Stanek Rea  
*Acting Director of the United States Patent and Trademark Office*