

US00D672801S

(12) **United States Design Patent**
Nakamura et al.

(10) **Patent No.:** **US D672,801 S**
(45) **Date of Patent:** **** Dec. 18, 2012**

(54) **DIGITAL STILL CAMERA**

(75) Inventors: **Makoto Nakamura**, Kyoto (JP);
Atsushi Sasaki, Hyogo (JP)

(73) Assignee: **Panasonic Corporation**, Osaka (JP)

(**) Term: **14 Years**

(21) Appl. No.: **29/399,162**

(22) Filed: **Aug. 10, 2011**

(51) **LOC (9) Cl.** **16-01**

(52) **U.S. Cl.** **D16/202**

(58) **Field of Classification Search** D16/200,
D16/202, 204, 206, 217, 218; 348/373-376;
396/176-178, 354-359, 535, 540, 541

See application file for complete search history.

(56) **References Cited**

U.S. PATENT DOCUMENTS

D511,351 S *	11/2005	Yatabe	D16/206
D547,783 S *	7/2007	Sakai	D16/202
D558,808 S *	1/2008	Nakamura	D16/202
D570,891 S *	6/2008	Miyahara et al.	D16/202
D579,039 S *	10/2008	Nakamura	D16/202
D581,440 S *	11/2008	Nakamura	D16/217
7,505,682 B2 *	3/2009	Liu	396/177
D593,142 S *	5/2009	Yoshida	D16/202
D594,892 S *	6/2009	Kamiya et al.	D16/202
D609,730 S *	2/2010	Nakamura	D16/202
D611,977 S *	3/2010	Kim et al.	D16/202

OTHER PUBLICATIONS

Panasonic Corporation, "Actual Photo Gallery—FZ100", obtained from internet address <<http://panasonic.jp/dc/gallery/fz100.html>>, on Jul. 8, 2011, 2 pages.

* cited by examiner

Primary Examiner — Adir Aronovich

(74) *Attorney, Agent, or Firm* — Brinks Hofer Gilson & Lione

(57) **CLAIM**

We claim the ornamental design for a digital still camera, as shown and described.

DESCRIPTION

FIG. 1 is a front and right side perspective view of a digital camera of the present invention;

FIG. 2 is a rear and left side perspective view thereof;

FIG. 3 is a front elevational view thereof;

FIG. 4 is a rear elevational view thereof;

FIG. 5 is a left side elevational view thereof;

FIG. 6 is a right side elevational view thereof;

FIG. 7 is a top plan view thereof; and,

FIG. 8 is a bottom plan view thereof.

The change in contrast represents a change in color, material or texture and does not depict any particular color, material or texture.

1 Claim, 4 Drawing Sheets



FIG. 1



FIG. 2



FIG.3



FIG.4

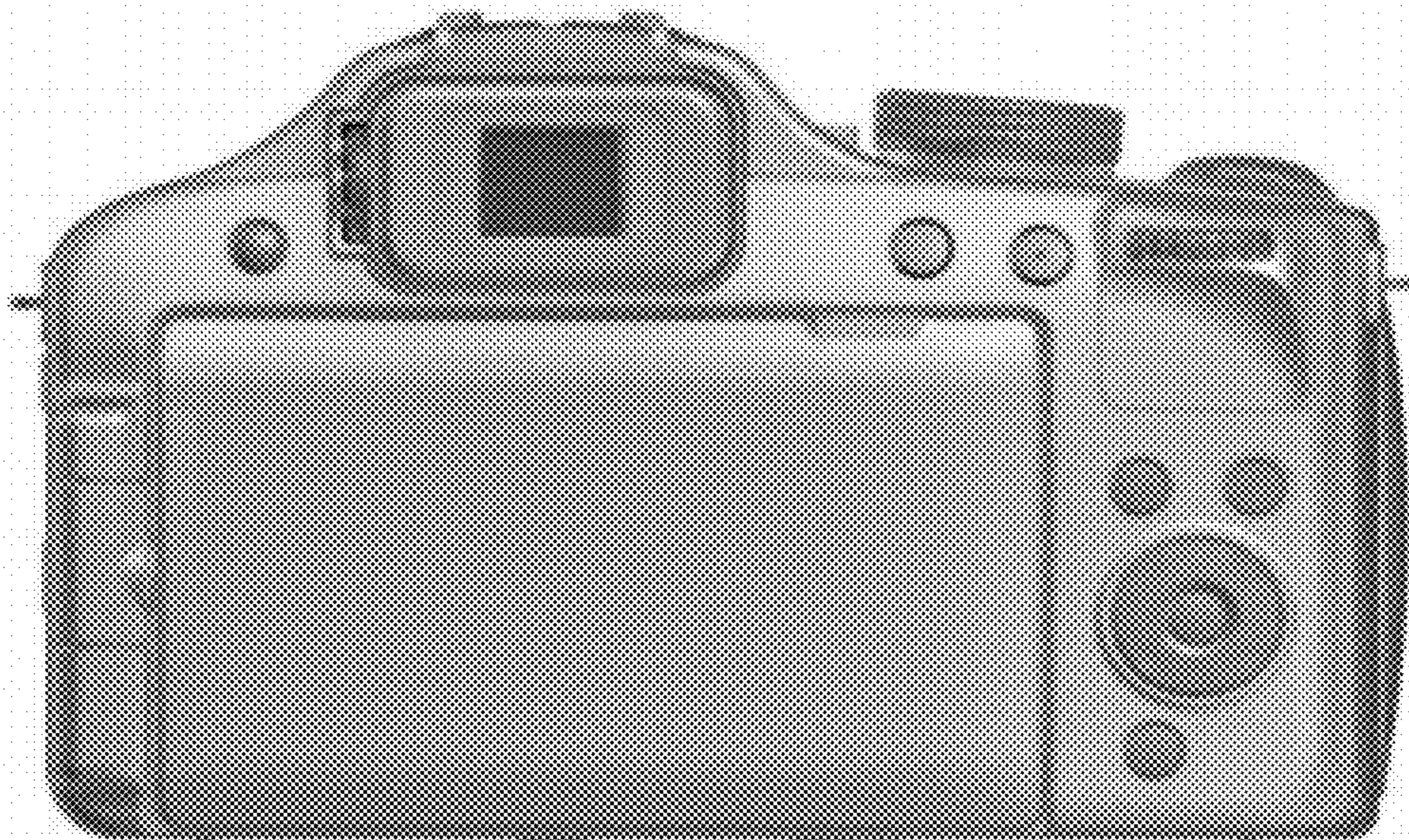


FIG.5

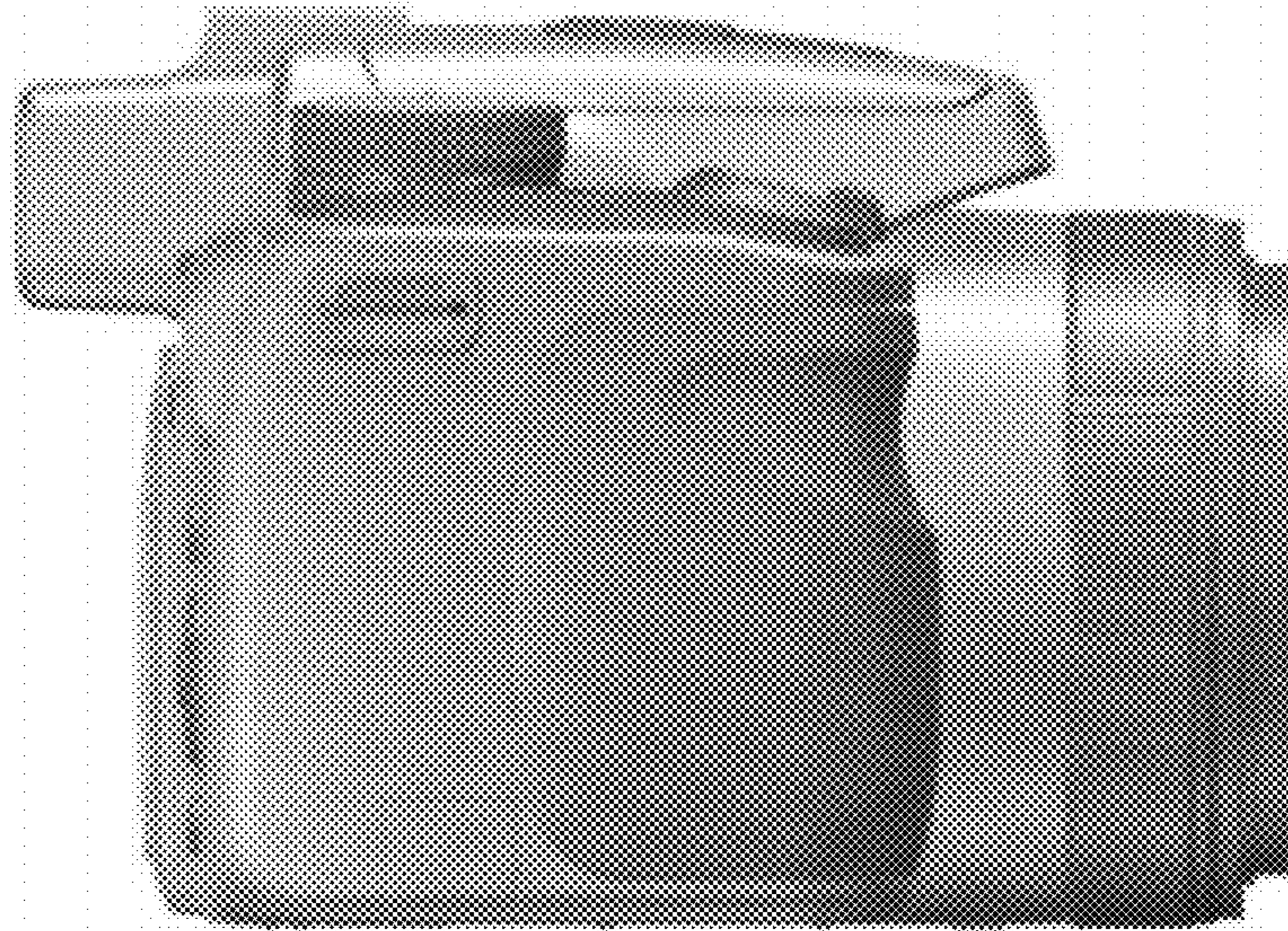


FIG.6

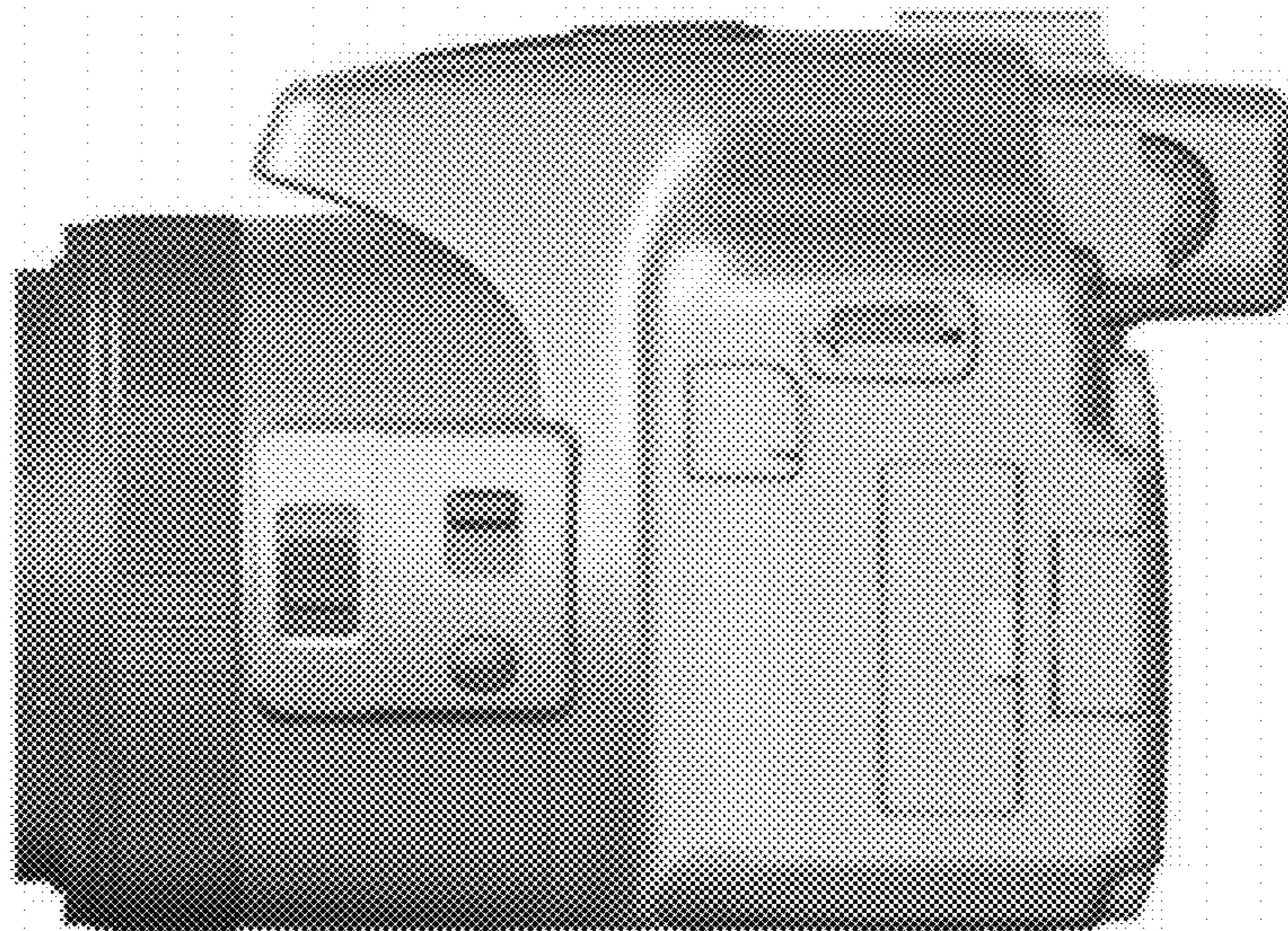


FIG. 7

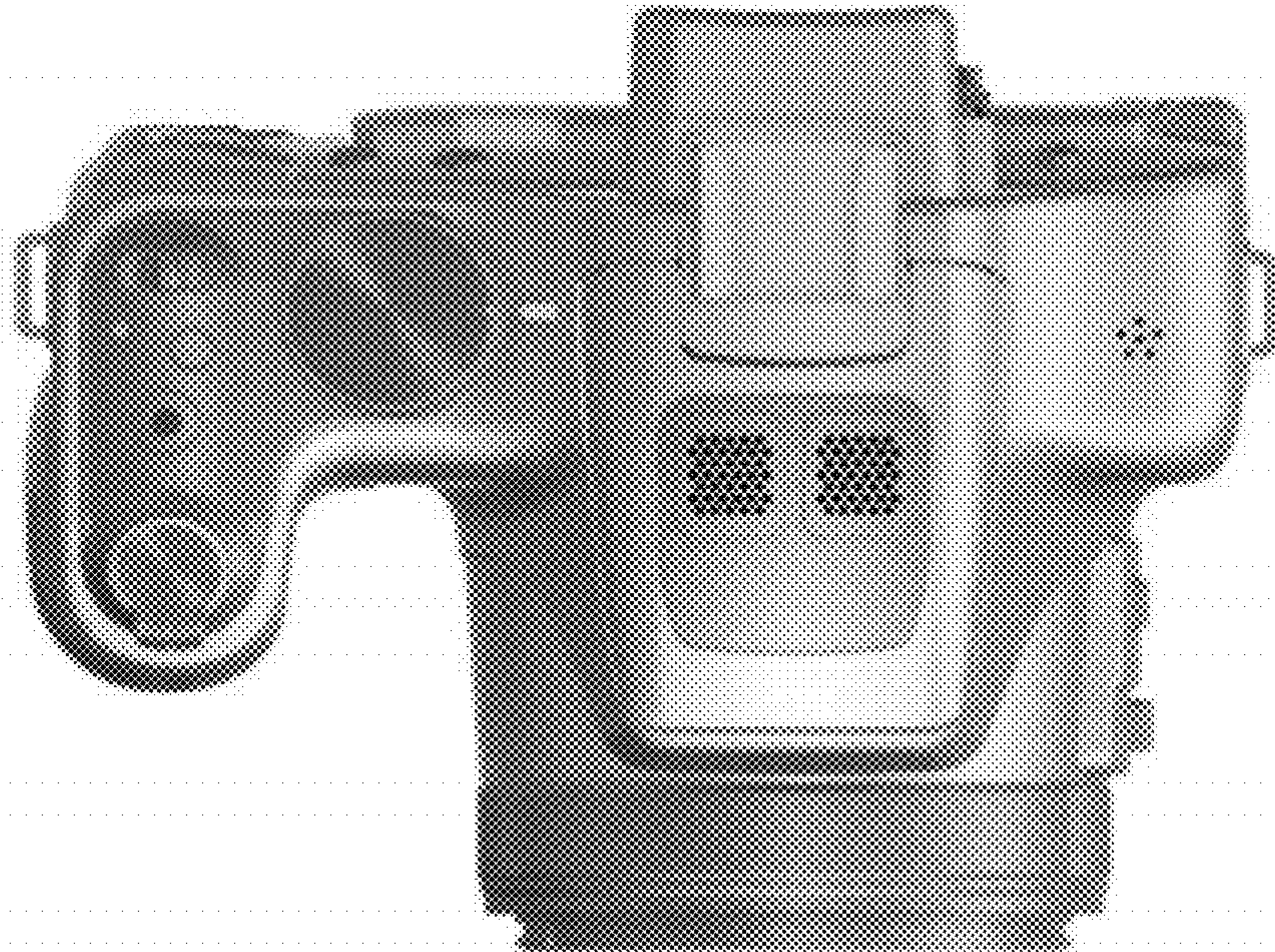


FIG. 8

