



US00D672800S

(12) **United States Design Patent**
Muraki et al.

(10) **Patent No.:** **US D672,800 S**

(45) **Date of Patent:** **** Dec. 18, 2012**

(54) **MICROSCOPE**

(75) Inventors: **Shinjiro Muraki**, Tokyo (JP); **Akio Shindate**, London (GB)

(73) Assignee: **Nikon Corporation**, Tokyo (JP)

(**) Term: **14 Years**

(21) Appl. No.: **29/409,207**

(22) Filed: **Dec. 21, 2011**

(30) **Foreign Application Priority Data**

Jun. 30, 2011 (JP) 2011-015084

(51) **LOC (9) Cl.** **16-06**

(52) **U.S. Cl.** **D16/131**

(58) **Field of Classification Search** D16/130,
D16/131; D21/483; 359/368, 382, 383,
359/379, 802, 811, 390

See application file for complete search history.

(56) **References Cited**

U.S. PATENT DOCUMENTS

| | | | | | | |
|-----------|---|---|---------|---------------|-------|-----------|
| D195,998 | S | * | 8/1963 | Aubock | | D16/131 |
| 3,721,827 | A | * | 3/1973 | Reinheimer | | 250/201.3 |
| 3,934,960 | A | * | 1/1976 | Ouchi et al. | | 359/390 |
| D252,276 | S | * | 7/1979 | Griffith | | D16/131 |
| 4,168,881 | A | * | 9/1979 | Rosenberger | | 359/381 |
| D257,358 | S | * | 10/1980 | Armbruster | | D16/131 |
| D260,402 | S | * | 8/1981 | Hodgson | | D16/131 |
| 4,283,111 | A | * | 8/1981 | Wieber et al. | | 359/381 |
| 4,299,440 | A | * | 11/1981 | Hodgson | | 359/393 |
| D265,206 | S | * | 6/1982 | Weber et al. | | D16/131 |
| D273,592 | S | * | 4/1984 | Armbruster | | D16/131 |
| D276,351 | S | * | 11/1984 | Janke et al. | | D16/131 |
| 4,573,771 | A | * | 3/1986 | Hill | | 359/383 |
| 4,576,450 | A | * | 3/1986 | Westphal | | 359/384 |
| D291,702 | S | * | 9/1987 | Kahute | | D16/131 |

| | | | | | | |
|-----------|----|---|---------|------------------|-------|---------|
| D400,548 | S | * | 11/1998 | Komatsuzaki | | D16/131 |
| D445,813 | S | * | 7/2001 | Asaka et al. | | D16/131 |
| D464,068 | S | * | 10/2002 | Asaka et al. | | D16/131 |
| D477,008 | S | * | 7/2003 | Asaka et al. | | D16/131 |
| D518,841 | S | * | 4/2006 | Apotheloz et al. | | D16/131 |
| 7,023,614 | B2 | * | 4/2006 | Gilbert | | 359/385 |
| 7,167,303 | B2 | * | 1/2007 | Gilbert | | 359/368 |
| D579,036 | S | * | 10/2008 | Apotheloz | | D16/131 |
| D579,959 | S | * | 11/2008 | Apotheloz | | D16/131 |
| D626,162 | S | * | 10/2010 | Suzuki et al. | | D16/131 |
| D639,324 | S | * | 6/2011 | Stohr et al. | | D16/131 |
| D656,978 | S | * | 4/2012 | Stoiakine | | D16/131 |
| D660,894 | S | * | 5/2012 | Nojima et al. | | D16/131 |
| D664,174 | S | * | 7/2012 | Tanaka | | D16/131 |

* cited by examiner

Primary Examiner — Paula Greene

(74) *Attorney, Agent, or Firm* — Wolf, Greenfield & Sacks, P.C.; Randy J. Pritzker

(57) **CLAIM**

The ornamental design for a microscope, as shown and described.

DESCRIPTION

FIG. 1 is a front, top and right side perspective view of a microscope showing our new design; FIG. 2 is a rear, bottom and left side perspective view thereof; FIG. 3 is a front elevational view thereof; FIG. 4 is a rear elevational view thereof; FIG. 5 is a top plan view thereof; FIG. 6 is a bottom plan view thereof; FIG. 7 is a right side elevational view thereof; and, FIG. 8 is a left side elevational view thereof. The features shown in broken lines in the drawings depict environmental subject matter only and form no part of the claimed design. The dot-dashed lines denote the boundary of the claim and form no part of the claimed design.

1 Claim, 8 Drawing Sheets

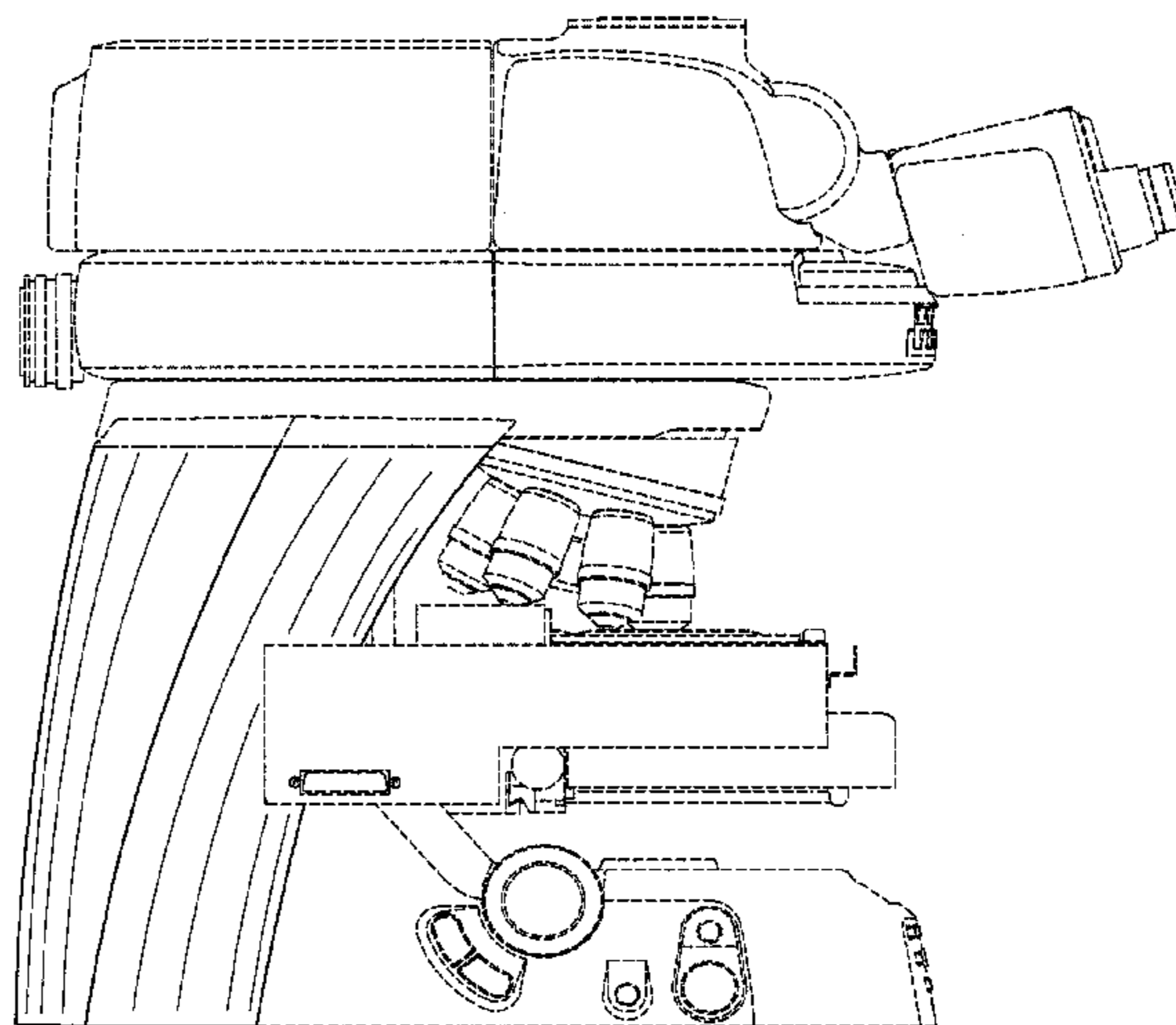
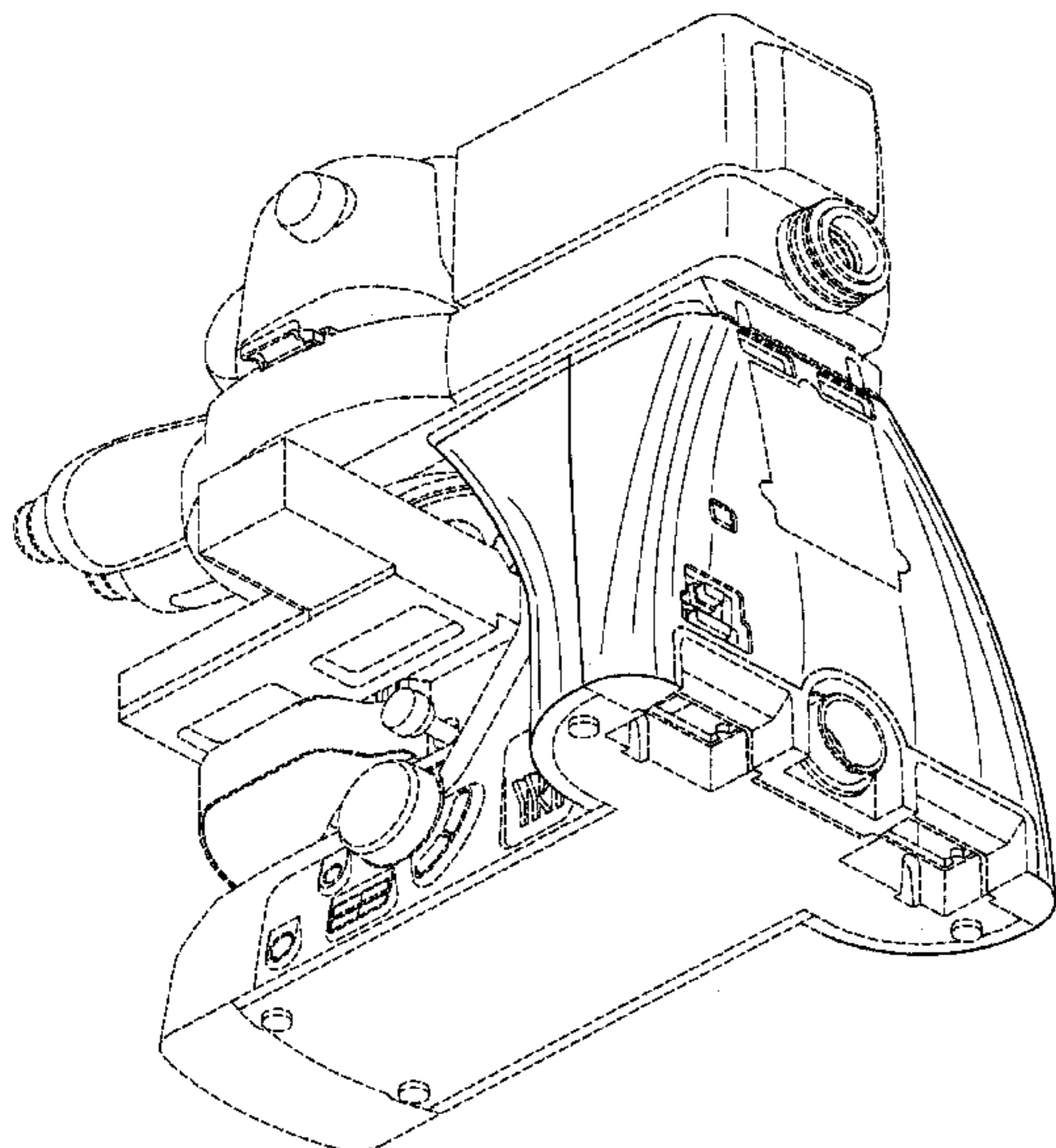


FIG. 1

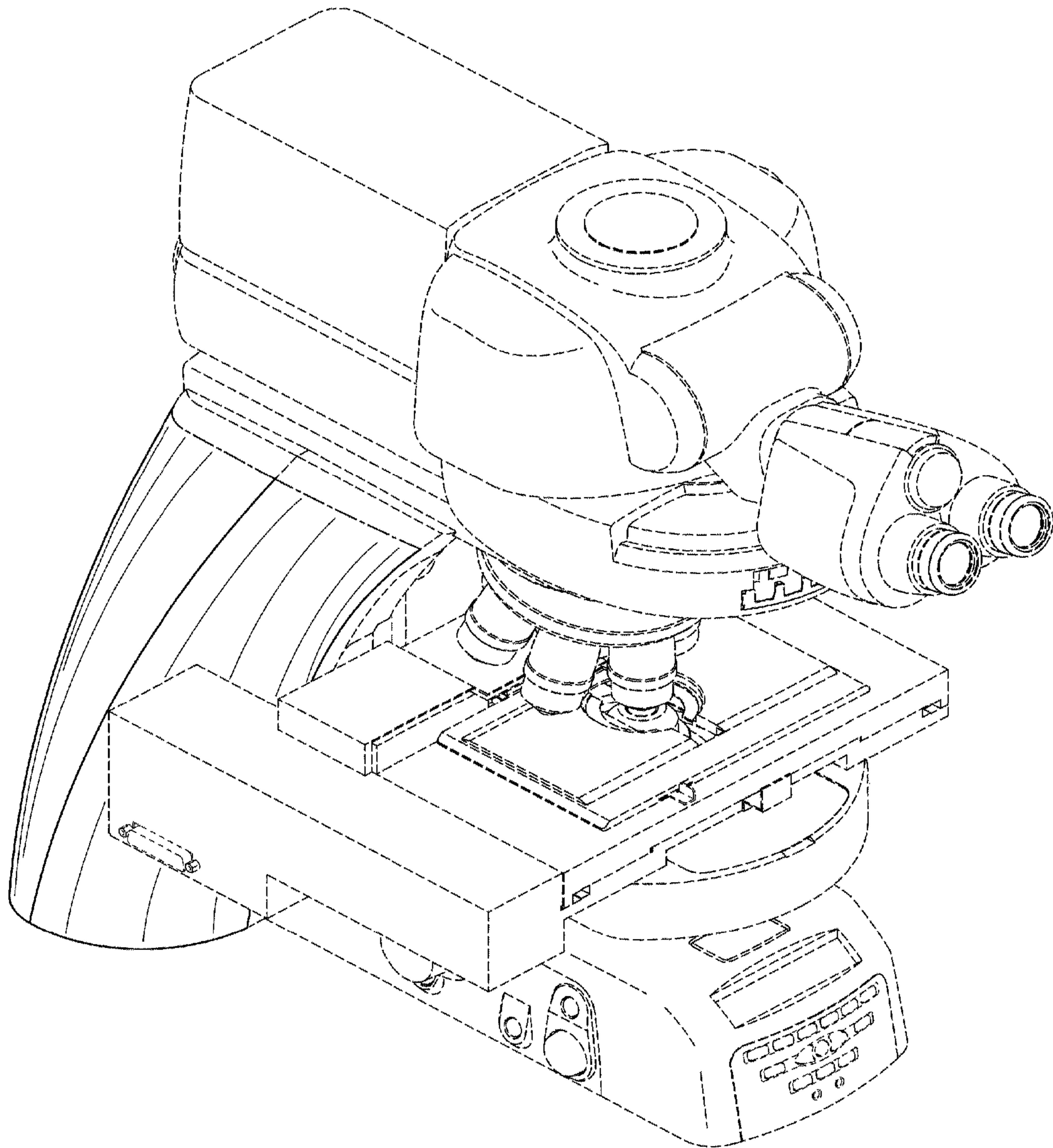


FIG. 2

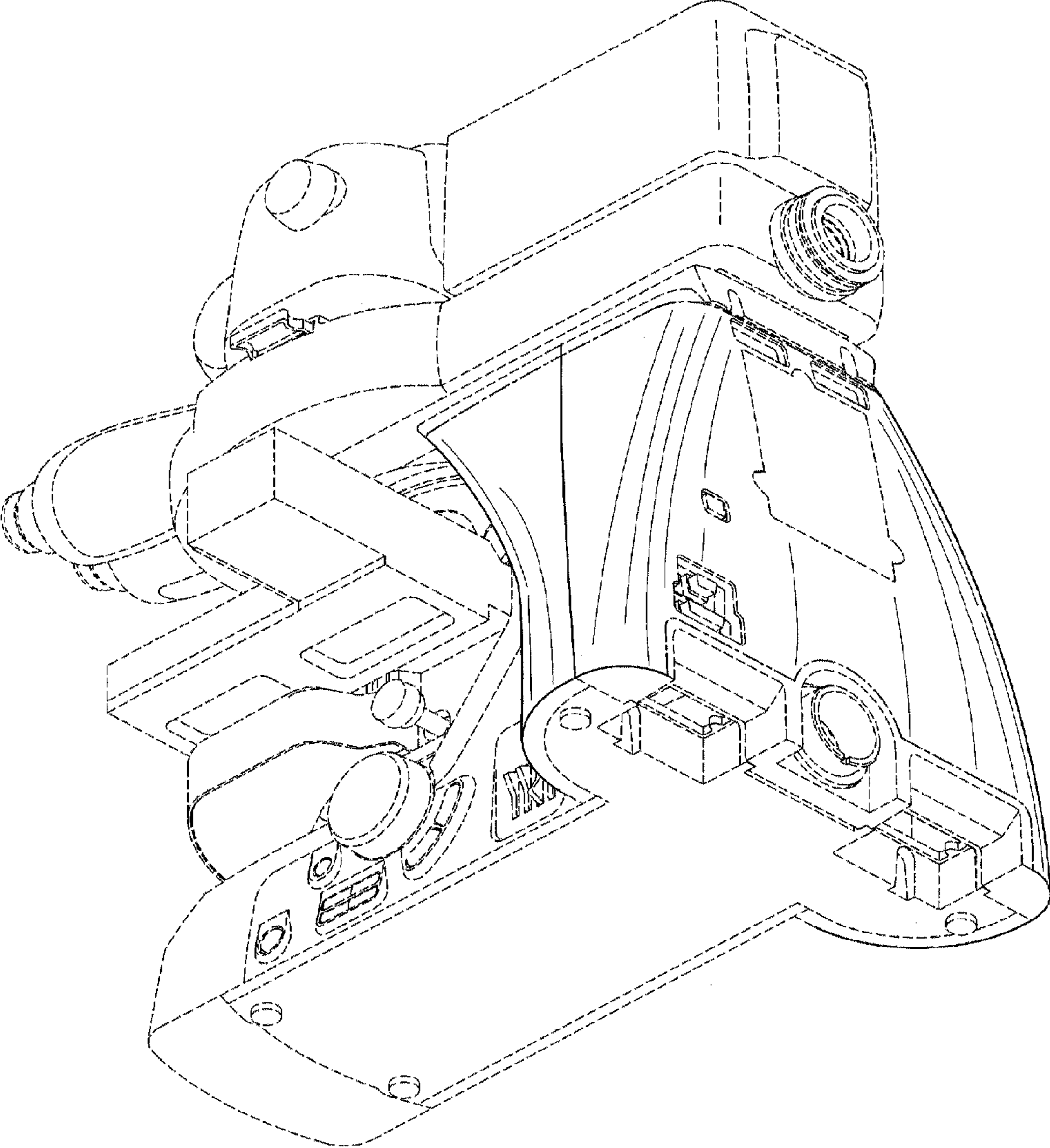


FIG. 3

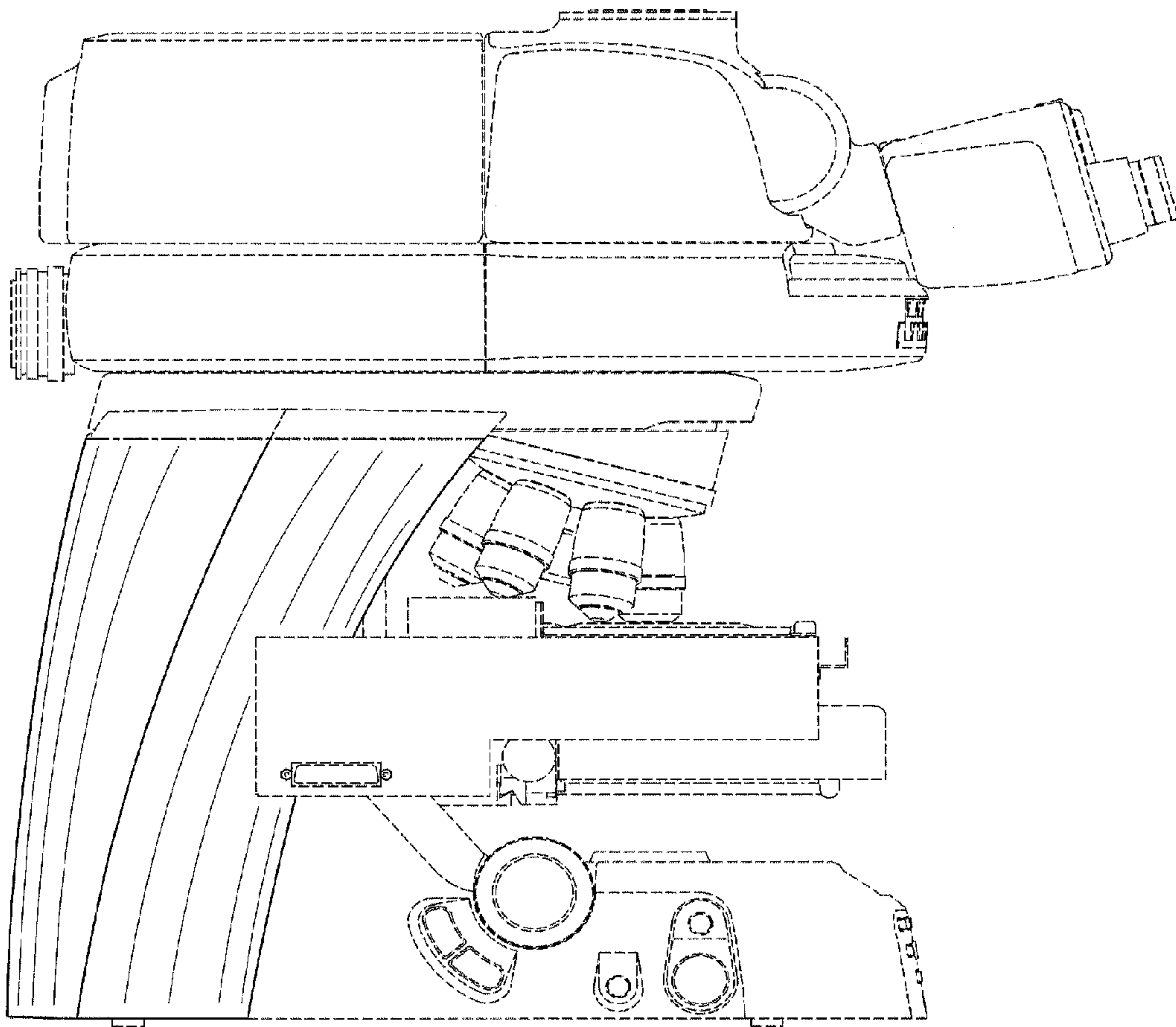


FIG. 4

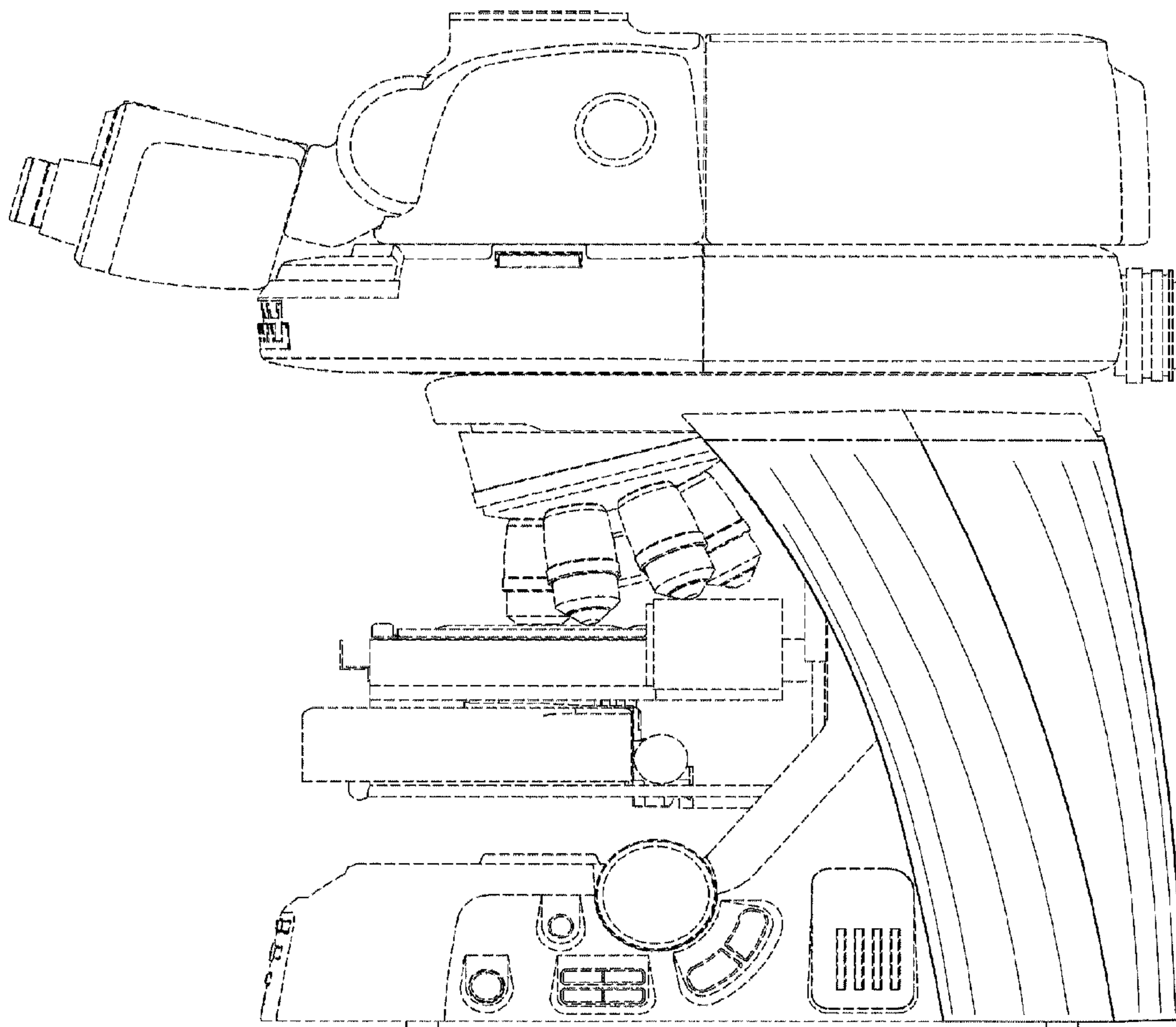


FIG. 5

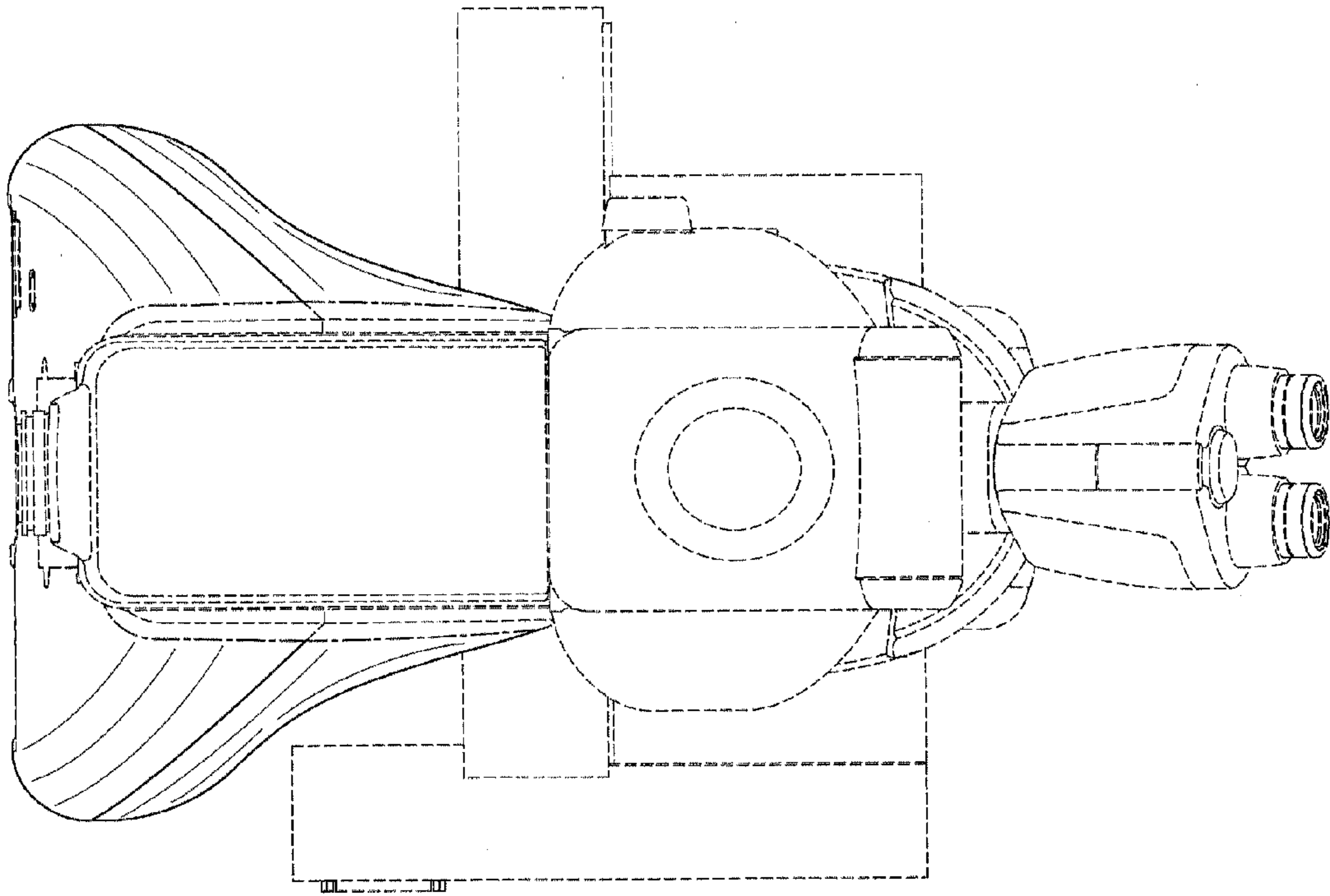


FIG. 6

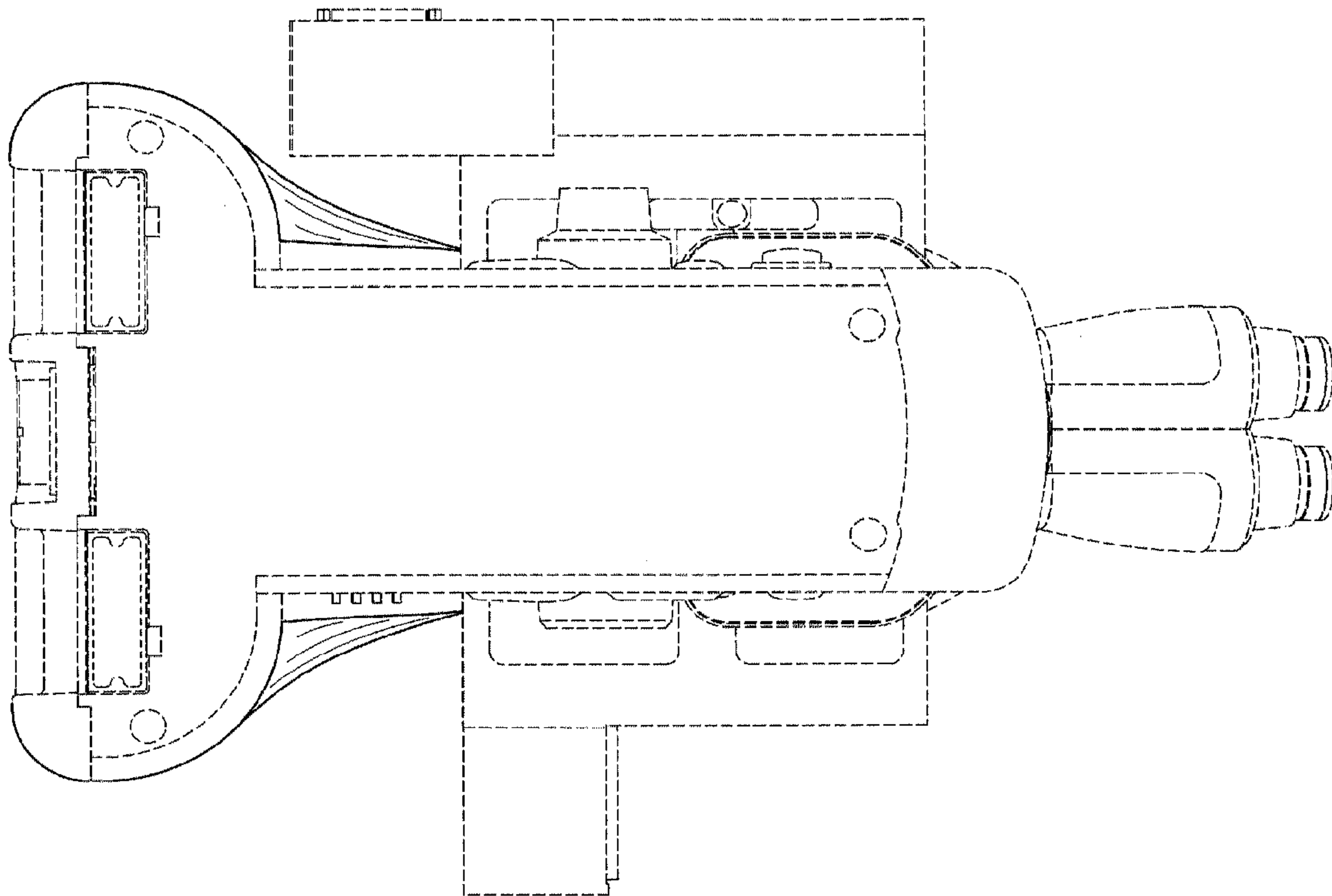


FIG. 7

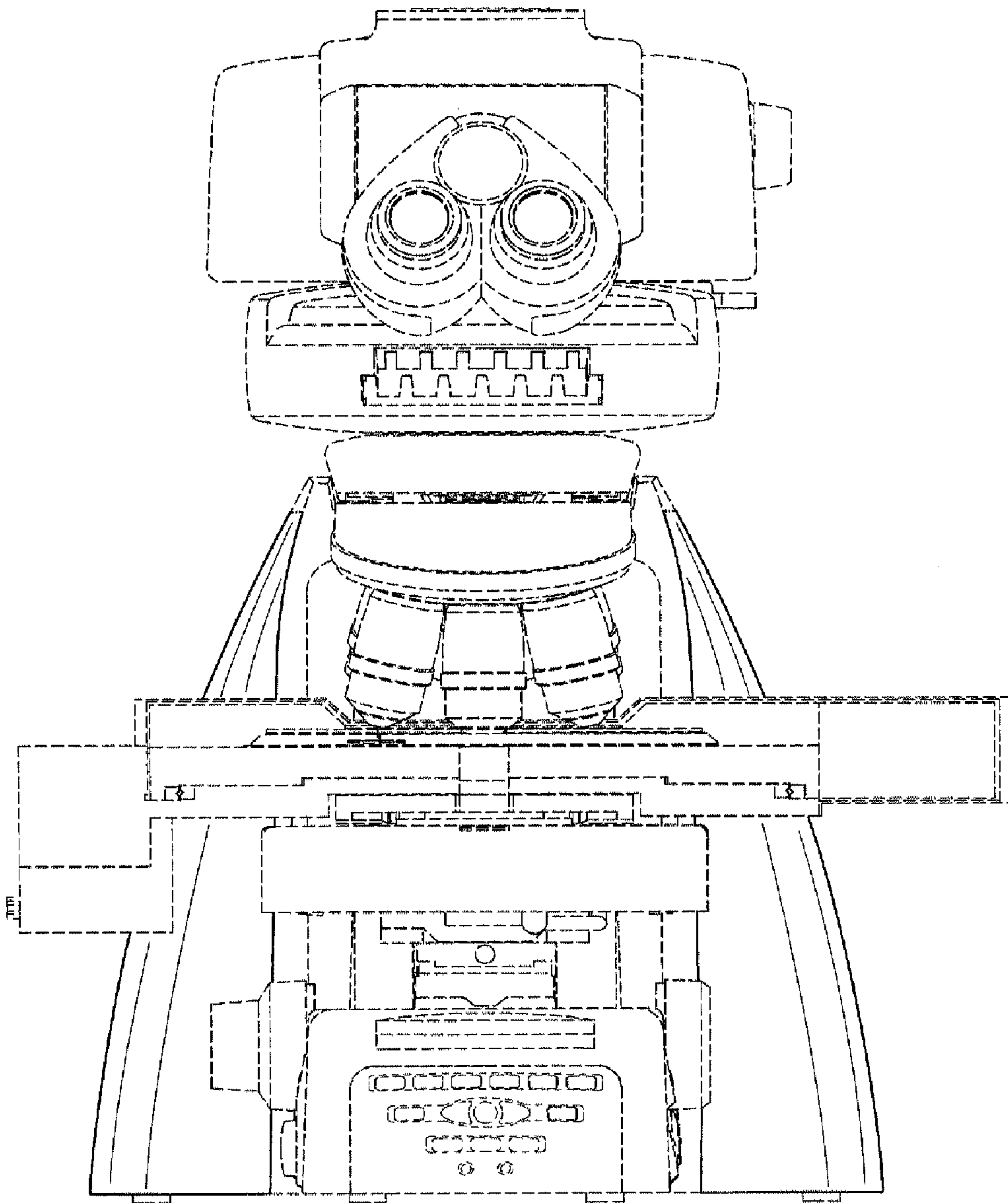


FIG. 8

