



US00D672799S

(12) **United States Design Patent**  
**Schneider**

(10) **Patent No.:** **US D672,799 S**

(45) **Date of Patent:** **\*\* Dec. 18, 2012**

(54) **OPTIC DEVICE SECURING STRUCTURE**

(75) Inventor: **Steven M. Schneider**, Germantown, WI (US)

(73) Assignee: **Satisloh North America, Inc.**, Germantown, WI (US)

(\*\*) Term: **14 Years**

(21) Appl. No.: **29/426,833**

(22) Filed: **Jul. 11, 2012**

**Related U.S. Application Data**

(62) Division of application No. 29/387,635, filed on Mar. 16, 2011.

(51) **LOC (9) Cl.** ..... **16-06**

(52) **U.S. Cl.** ..... **D16/130**

(58) **Field of Classification Search** ..... D16/130,  
D16/136, 228; D8/356, 349, 353, 382, 386,  
D8/323, 327, 399, 352; 351/120, 140, 153;  
D23/233

See application file for complete search history.

(56) **References Cited**

**U.S. PATENT DOCUMENTS**

1,184,496	A	5/1916	Stenvall	
D52,425	S	9/1918	Blackmore	
2,225,193	A *	12/1940	Benner et al.	451/542
D136,473	S	10/1943	Hutson	
2,573,668	A	10/1951	Long et al.	
2,853,925	A *	9/1958	Lee	359/827
2,861,402	A	11/1958	Okenfuss	
2,953,970	A *	9/1960	Maynard	359/611
3,118,198	A	1/1964	Prunier	
3,383,808	A	5/1968	Deshayes et al.	
3,996,701	A *	12/1976	Ramirez et al.	451/390
4,066,330	A *	1/1978	Jones	359/503
4,089,102	A *	5/1978	Soper et al.	29/527.5
D263,679	S *	4/1982	Friberg	D8/399
4,358,913	A *	11/1982	Sorrells	451/390
D271,209	S *	11/1983	Feinbloom	D16/237
D272,745	S *	2/1984	Feinbloom et al.	D16/130
4,733,945	A	3/1988	Bacich	
4,844,606	A *	7/1989	Smith	351/153

4,867,563	A *	9/1989	Wurm et al.	356/328
4,915,663	A *	4/1990	Magers	446/219
4,951,349	A *	8/1990	Dietrich et al.	16/228
5,011,274	A *	4/1991	Wagner	351/121
5,069,586	A *	12/1991	Casey	411/339
5,177,907	A *	1/1993	Rothe et al.	451/390
D334,880	S *	4/1993	Davey	D8/352
5,249,082	A	9/1993	Newman	
5,455,711	A *	10/1995	Palmer	359/353
5,466,106	A	11/1995	Bone et al.	
5,496,209	A *	3/1996	Gaebe	451/548
5,565,937	A *	10/1996	Lee	351/120

(Continued)

**OTHER PUBLICATIONS**

United States Provisional U.S. Appl. No. 61/453,513 entitled "Securing Structure for Optic Device", filed with the United States Patent & Trademark Office on Mar. 16, 2011.

(Continued)

*Primary Examiner* — Paula Greene

(74) *Attorney, Agent, or Firm* — Whyte Hirschboeck Dudek S.C.

(57) **CLAIM**

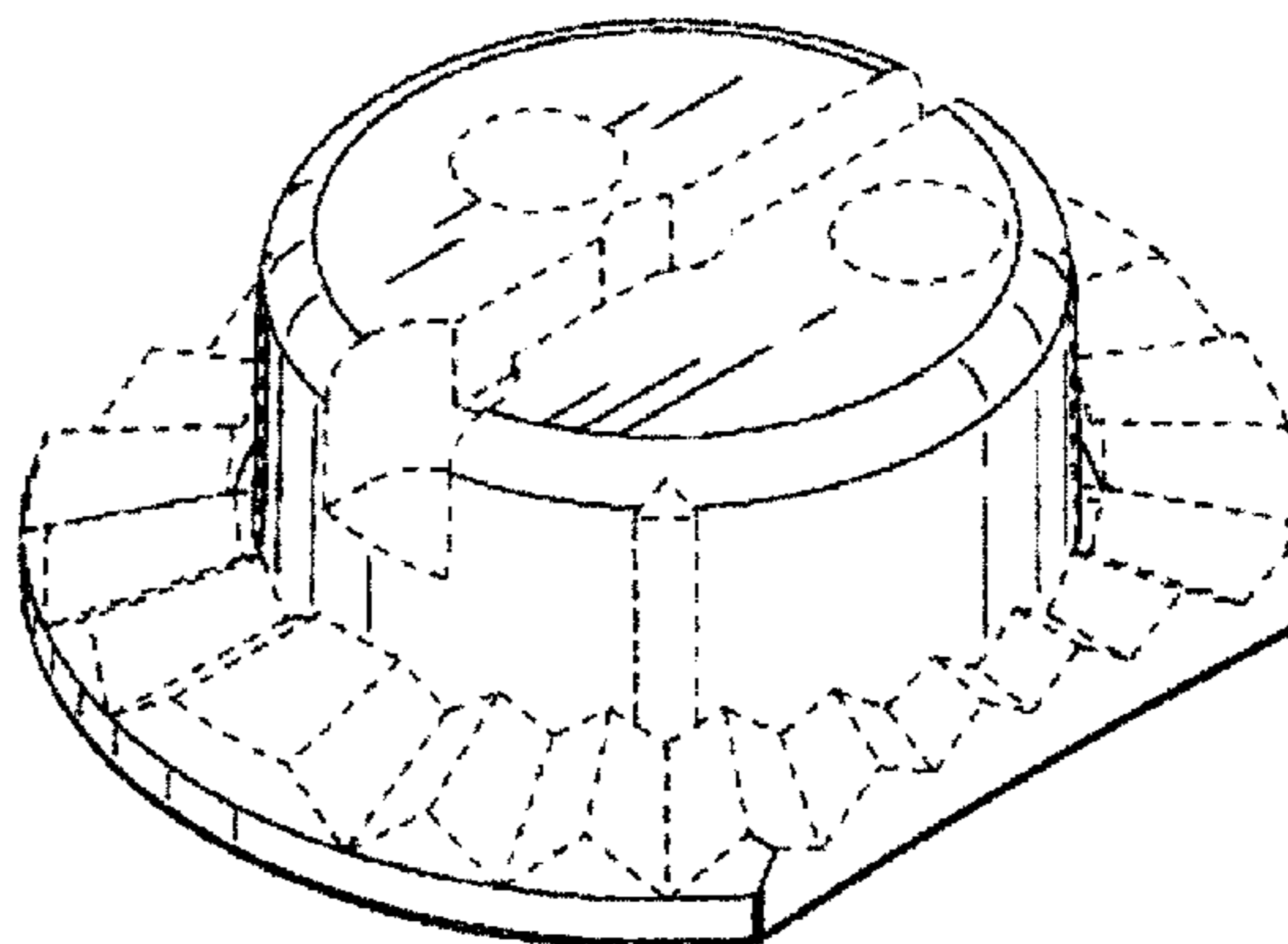
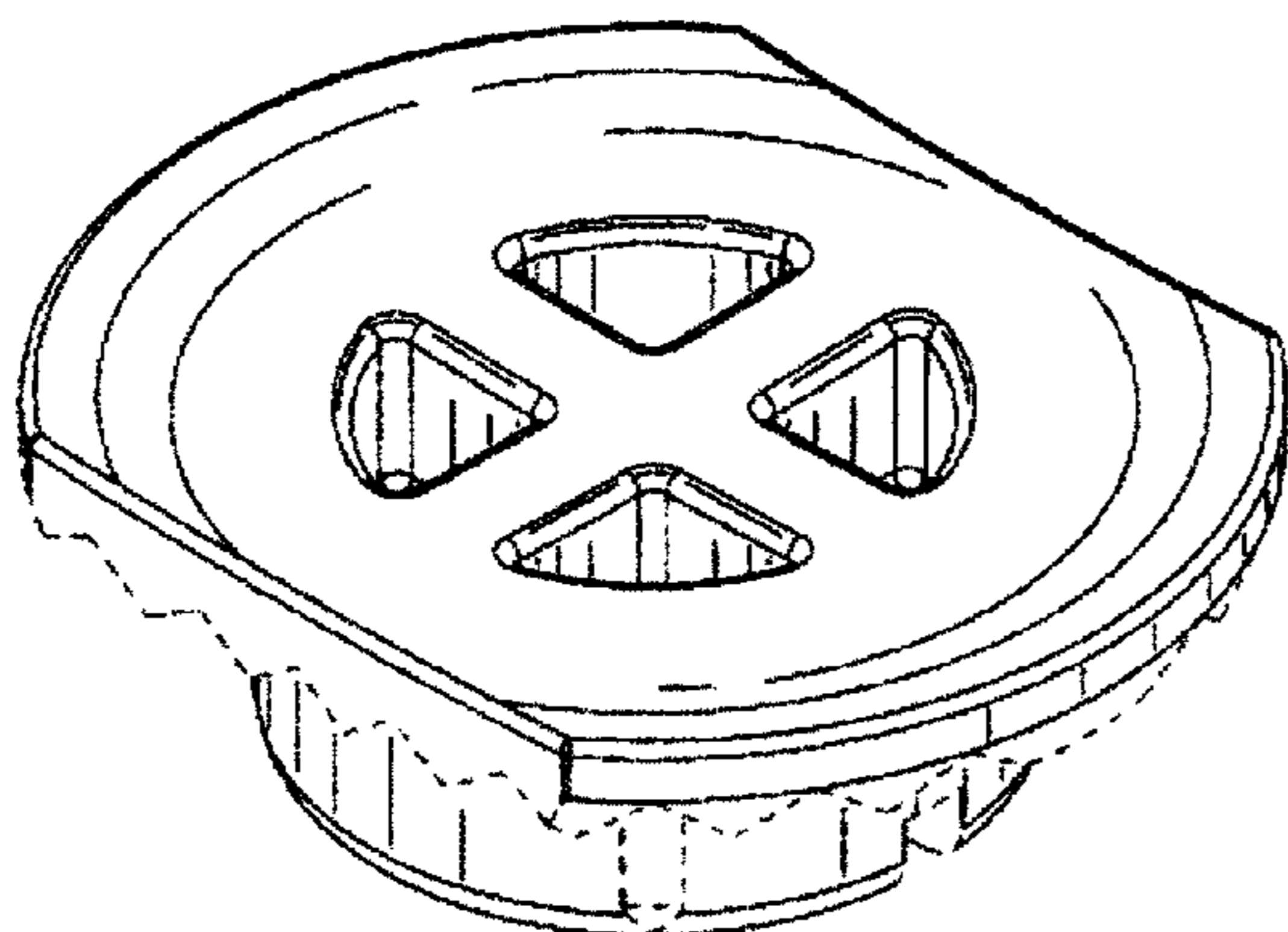
The ornamental design for an optic device securing structure, as shown and described.

**DESCRIPTION**

FIG. 1 is a top perspective view of an optic device securing structure showing my new design; FIG. 2 is a bottom perspective view thereof; FIG. 3 is a top view thereof; FIG. 4 is a bottom view thereof; FIG. 5 is a first side view thereof; FIG. 6 is a second side view thereof; FIG. 7 is a front view thereof; and, FIG. 8 is a rear view thereof.

The broken lines shown in FIGS. 1-8, that are immediately adjacent to the shaded areas, and define unshaded regions, represent the bounds of the first embodiment, while all other broken lines are directed to environment and are for illustrative purposes only. The broken lines form no part of the first embodiment.

**1 Claim, 3 Drawing Sheets**



# US D672,799 S

Page 2

## U.S. PATENT DOCUMENTS

5,619,770 A 4/1997 Bell  
5,627,610 A \* 5/1997 Marui et al. .... 351/141  
5,638,147 A \* 6/1997 Wang-Lee ..... 351/120  
5,649,856 A 7/1997 Cook  
5,669,807 A 9/1997 Moreau et al.  
5,748,281 A \* 5/1998 Simioni et al. .... 351/121  
5,760,867 A \* 6/1998 Pernicka et al. .... 351/120  
5,916,017 A 6/1999 Sedlock  
6,074,290 A \* 6/2000 Ko et al. .... 451/390  
6,163,926 A \* 12/2000 Watanabe ..... 16/228  
D443,811 S \* 6/2001 Tisbo ..... D8/356  
6,375,554 B1 4/2002 Murray et al.  
6,400,516 B1 6/2002 Spinali  
6,467,902 B2 \* 10/2002 Wang-Lee ..... 351/120

6,561,886 B2 5/2003 Roberts et al.  
6,641,466 B2 11/2003 Wallendorf et al.  
6,645,058 B2 11/2003 Puzio et al.  
6,742,891 B2 \* 6/2004 Chen ..... 351/140  
7,066,797 B2 6/2006 Volken et al.  
D524,911 S \* 7/2006 Thompson et al. .... D23/233  
7,500,908 B2 3/2009 Achy et al.

## OTHER PUBLICATIONS

U.S. Appl. No. 13/421,208 entitled "Securing Structure for Optic Device", filed with the United States Patent & Trademark Office on Mar. 15, 2012.

\* cited by examiner

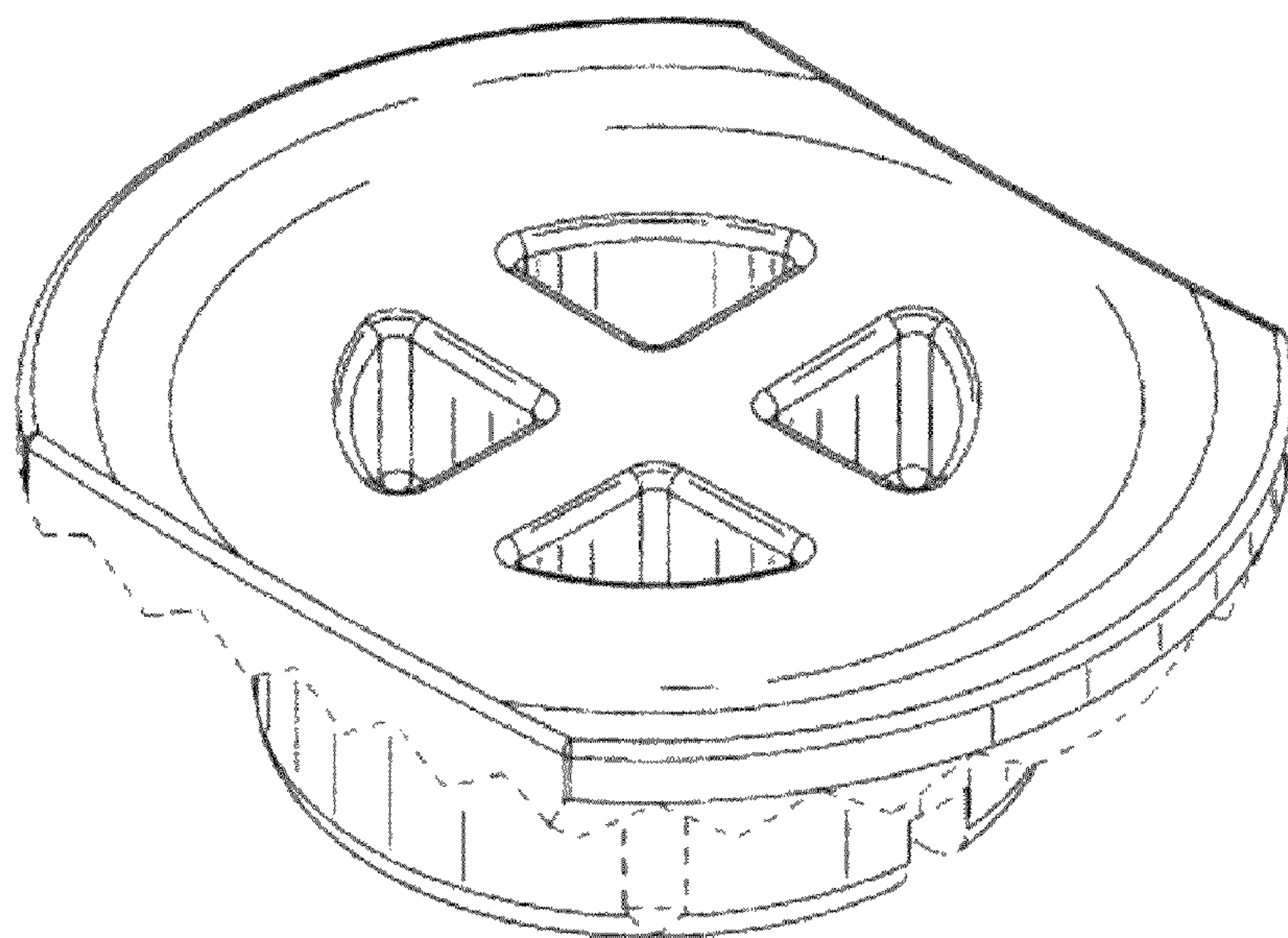


FIG. 1

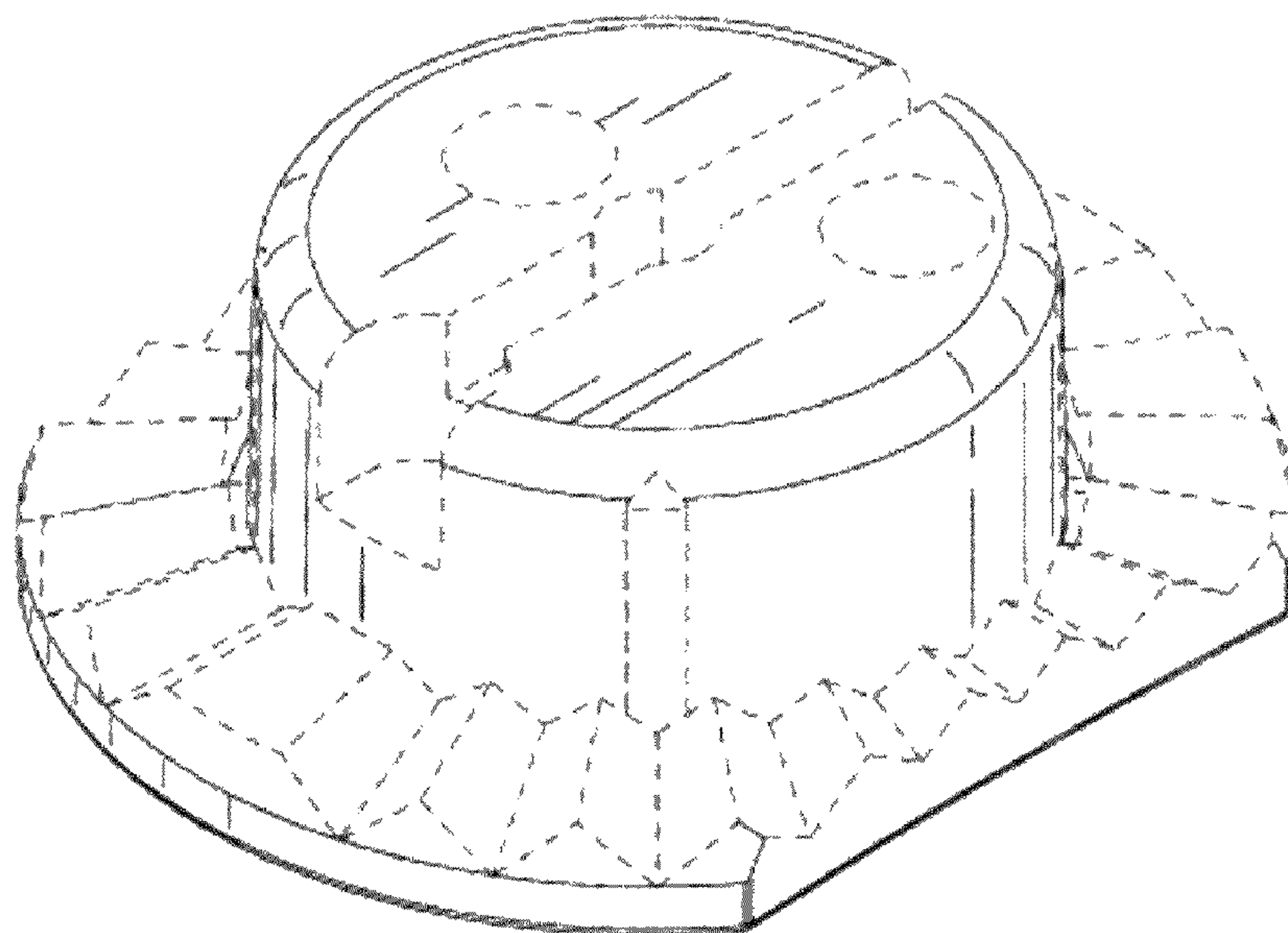


FIG. 2



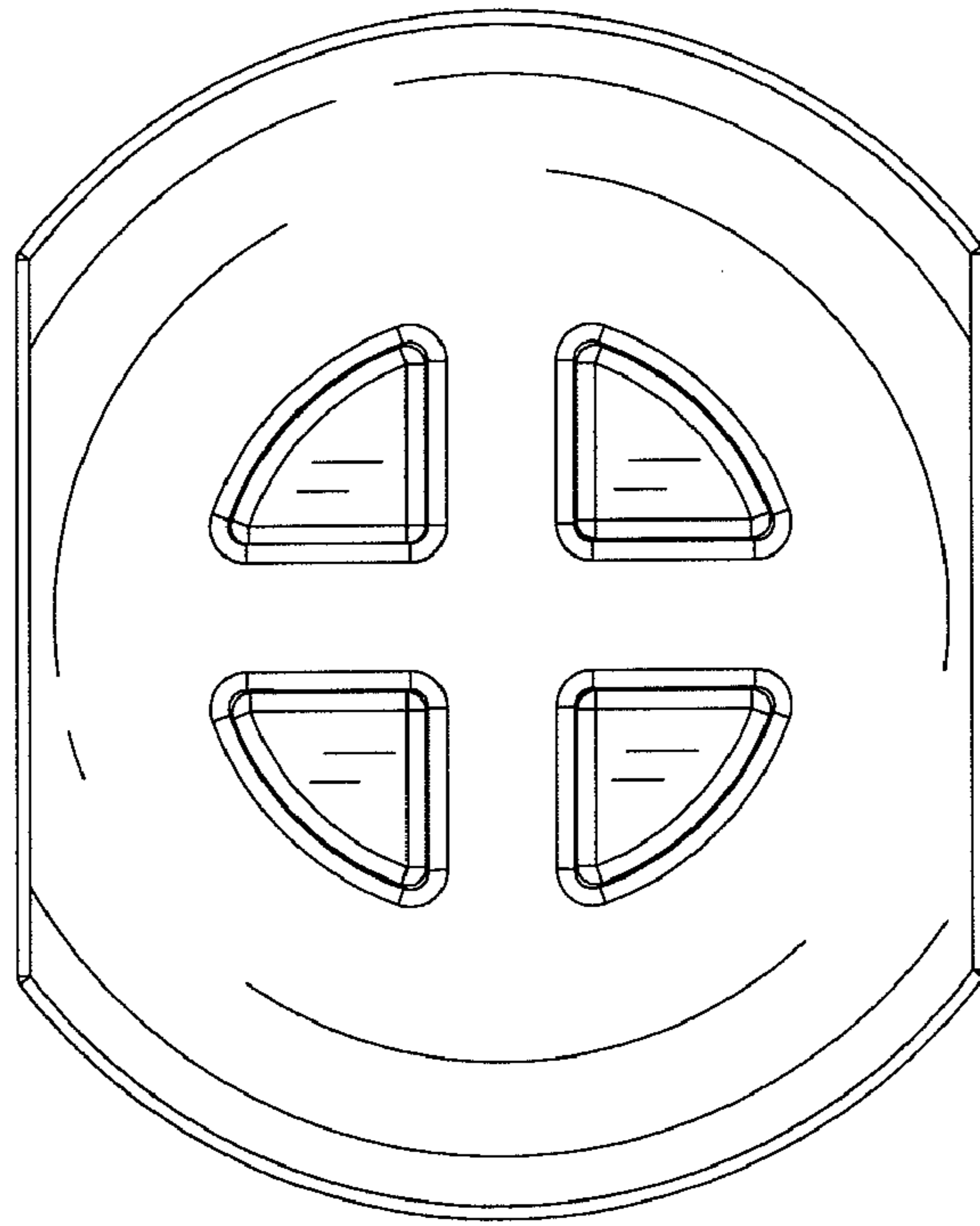


FIG. 3

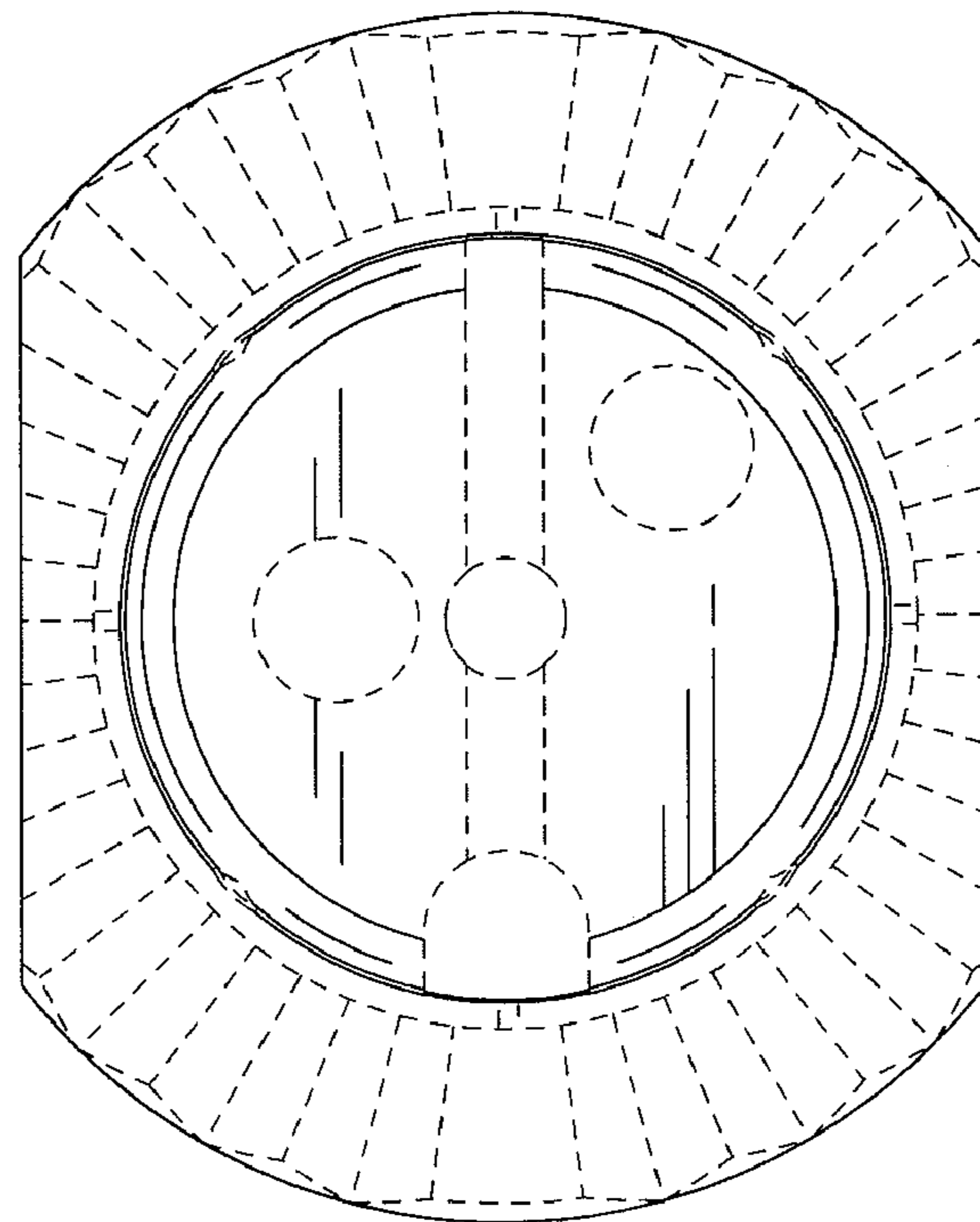


FIG. 4

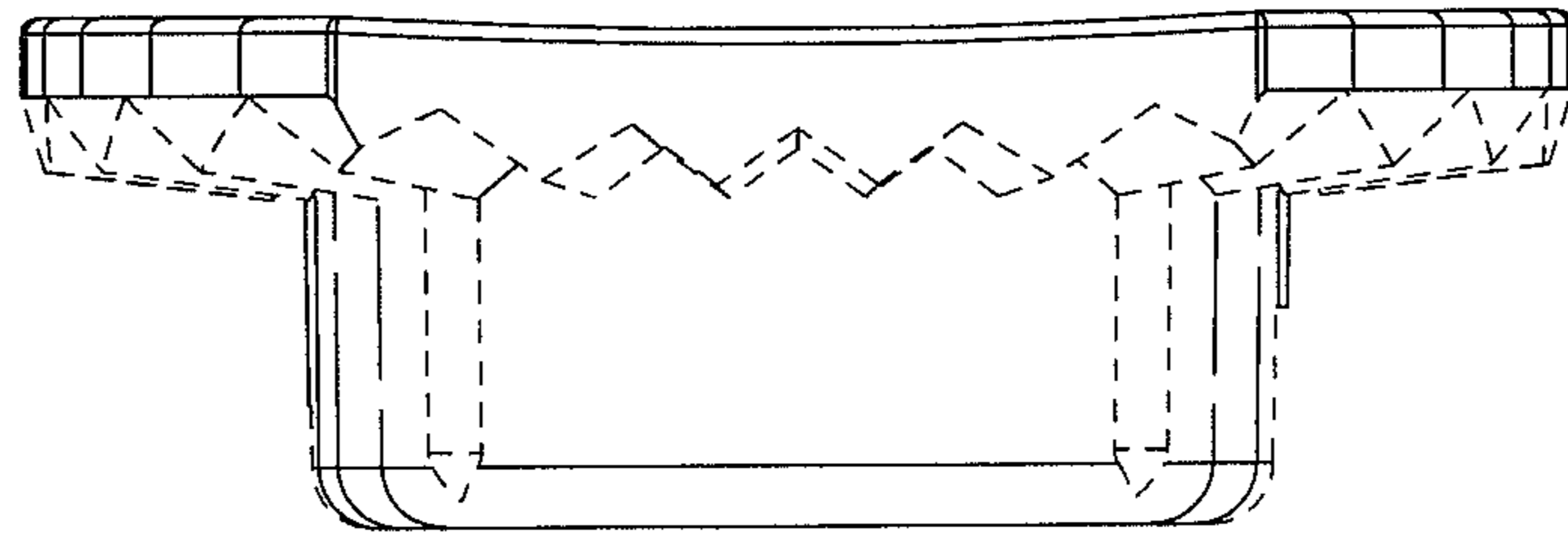


FIG. 5

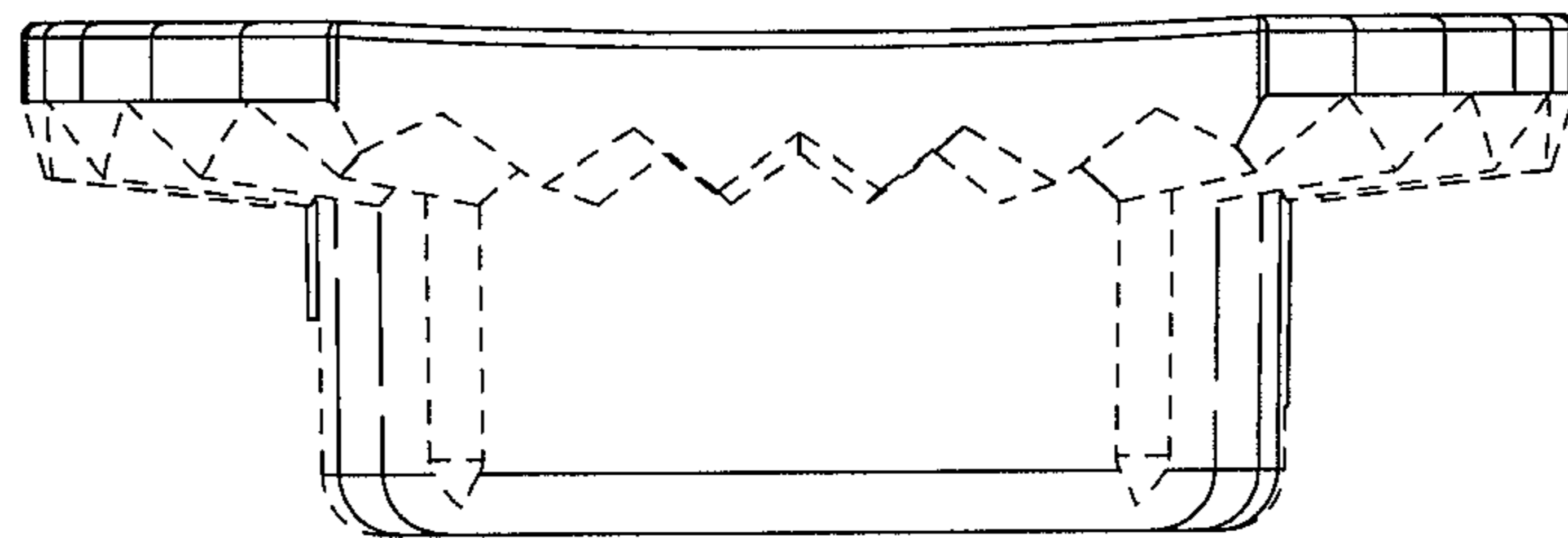


FIG. 6

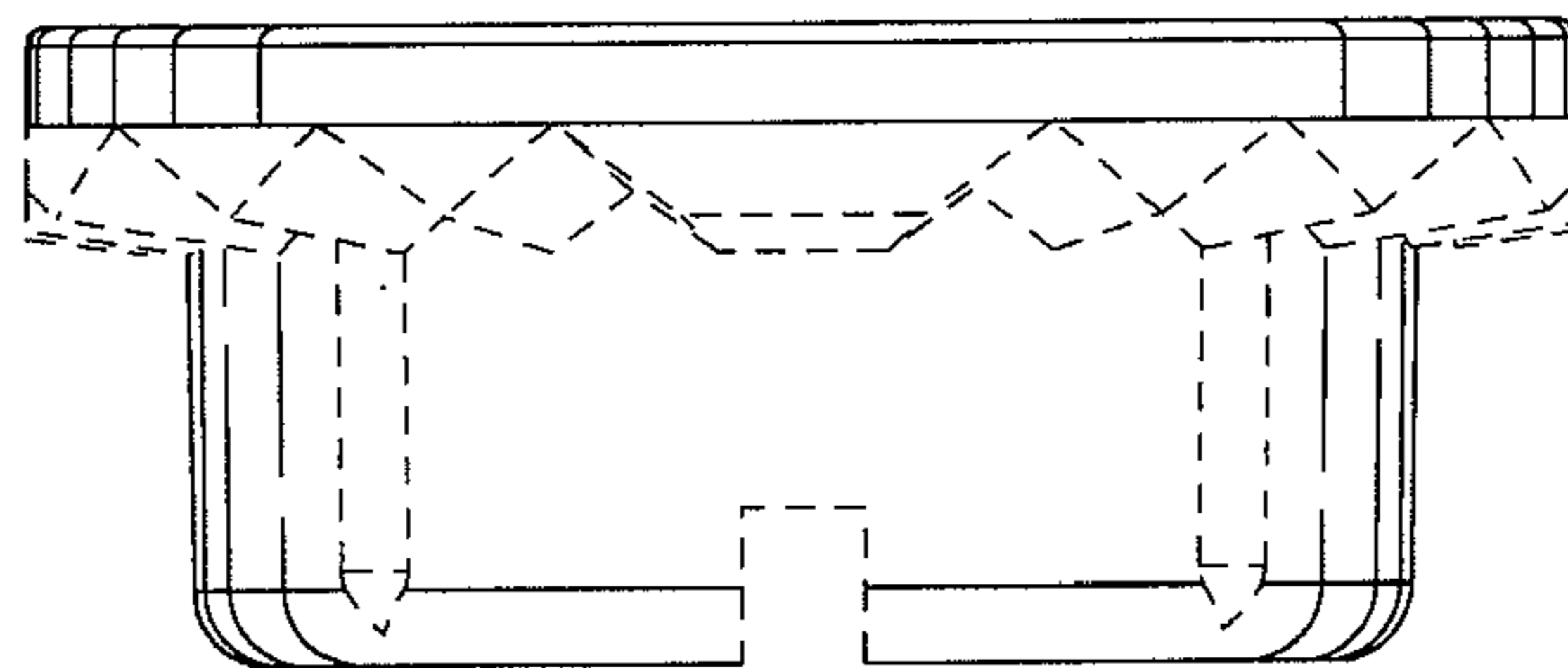


FIG. 7

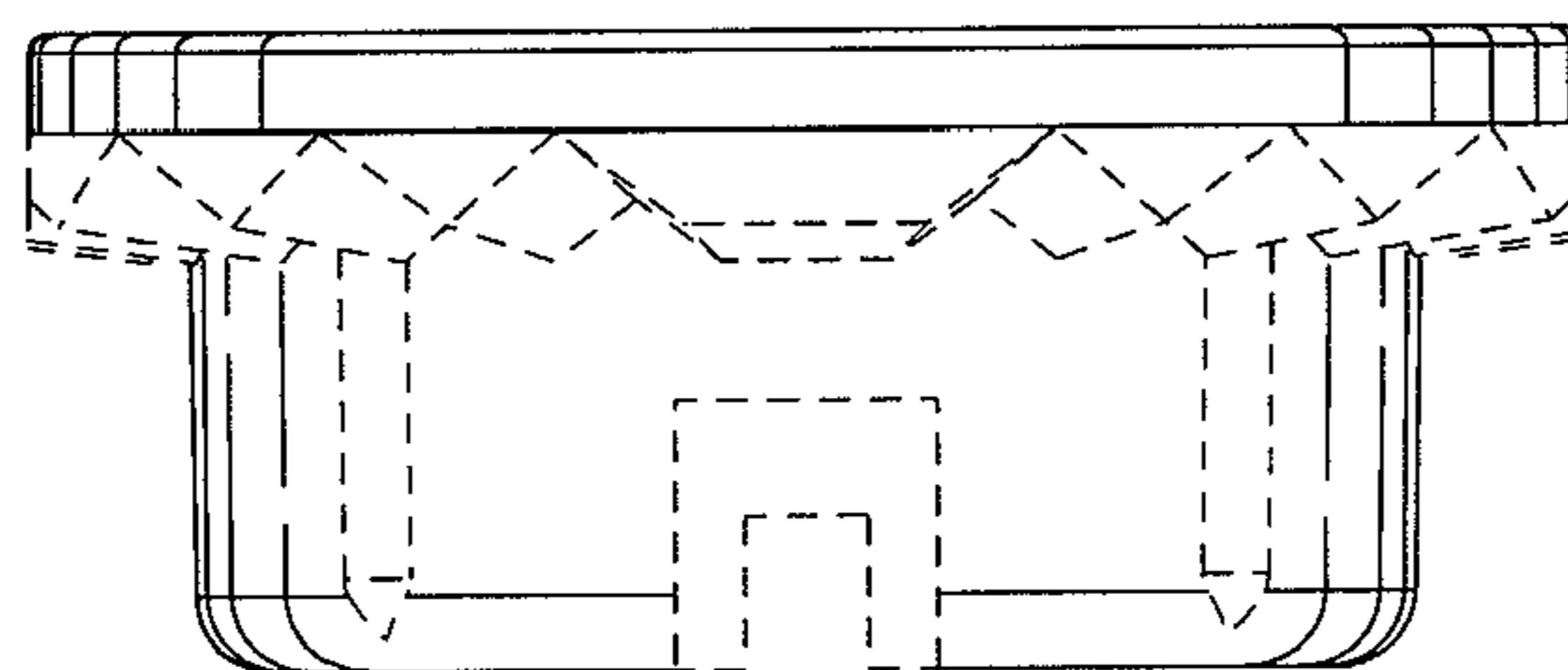


FIG. 8