

US00D672796S

(12) **United States Design Patent**
Winkler et al.

(10) **Patent No.:** **US D672,796 S**
(45) **Date of Patent:** **** Dec. 18, 2012**

(54) **SILVERWARE ROLLING DEVICE**
(76) Inventors: **John Michael Winkler**, Topeka, KS
(US); **Tanner Ray Black**, Carbondale,
KS (US)
(**) Term: **14 Years**
(21) Appl. No.: **29/378,622**
(22) Filed: **Nov. 6, 2010**
(51) **LOC (9) Cl.** **15-99**
(52) **U.S. Cl.** **D15/145**
(58) **Field of Classification Search** D7/633;
D15/145, 146; 53/142, 154, 155, 203, 206,
53/209, 211, 215, 216, 218, 224, 228, 229,
53/232, 238, 399, 415, 446, 461, 465, 466,
53/474, 493, 587, 588; 177/50; 209/926
See application file for complete search history.

6,971,218 B1 * 12/2005 Huckaba et al. 53/399
7,322,172 B2 * 1/2008 Hoffman et al. 53/586
D567,271 S * 4/2008 Vine D15/145
7,404,279 B1 * 7/2008 Miano et al. 53/443
7,513,089 B2 * 4/2009 Rubin 53/253
D624,574 S * 9/2010 Hall et al. D15/146
D629,822 S * 12/2010 Torre D15/145
2002/0112445 A1 * 8/2002 Scaduto 53/167
2004/0237475 A1 * 12/2004 Rubin 53/461

* cited by examiner

Primary Examiner — Patricia Palasik

(74) *Attorney, Agent, or Firm* — KB Patents; Luca D'Ottone

(56) **References Cited**

U.S. PATENT DOCUMENTS

D230,075 S * 1/1974 Sherman D15/145
3,956,109 A * 5/1976 Dietsche 209/682
5,117,928 A 6/1992 Wehie
5,237,801 A * 8/1993 Hillam et al. 53/446
5,469,688 A 11/1995 Dunbar
D380,770 S * 7/1997 Muchenberger et al. D18/51
D396,866 S * 8/1998 Carl D15/145
6,023,908 A 2/2000 Vetsch
6,615,566 B2 9/2003 Heisey
D481,049 S * 10/2003 Limousin D15/145
D494,988 S * 8/2004 Tanaka et al. D15/199
6,918,226 B2 7/2005 Heilman et al.

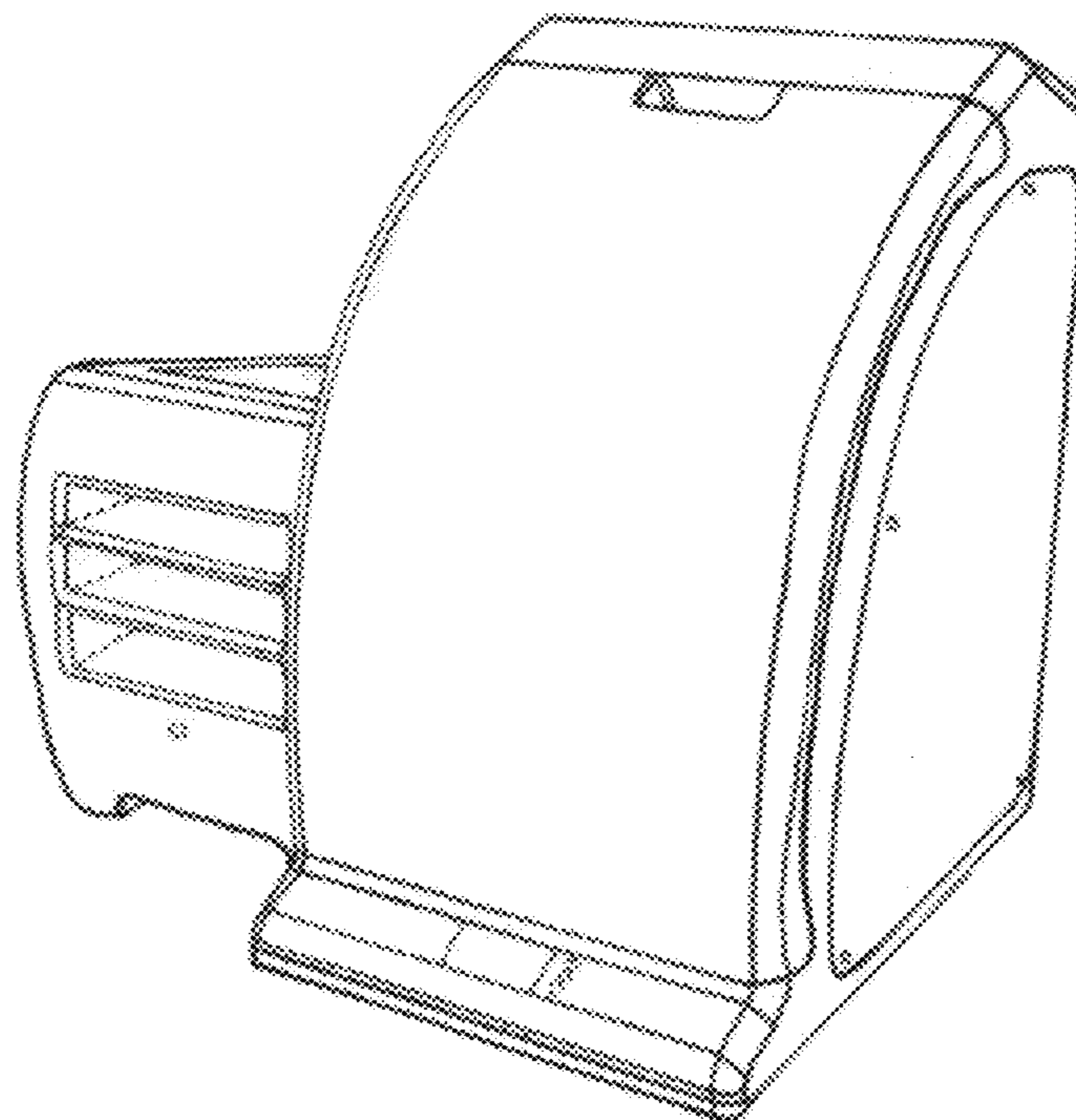
(57) **CLAIM**

The ornamental design for a silverware rolling device, as shown and described.

DESCRIPTION

FIG. 1 is a top, front, left side perspective view of the silverware rolling device, the showing present invention;
FIG. 2 is a rear perspective view thereof;
FIG. 3 is a front side view thereof;
FIG. 4 is a right view thereof;
FIG. 5 is a left side view thereof;
FIG. 6 is a top view thereof;
FIG. 7 is a rear view thereof; and,
FIG. 8 is back view thereof.
The broken lines in the drawings depict unclaimed environmental subject matter.

1 Claim, 8 Drawing Sheets



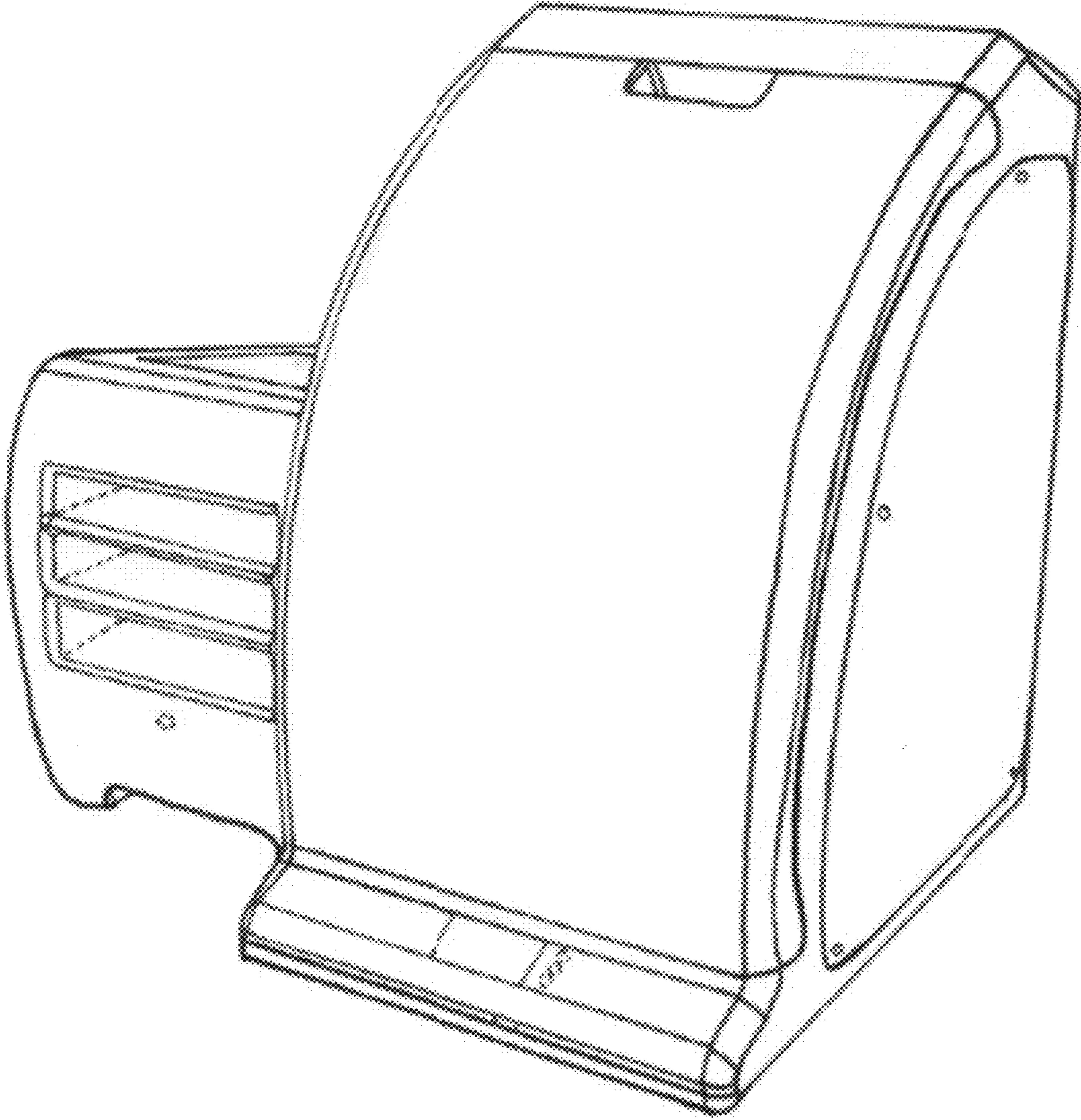


FIG. 1

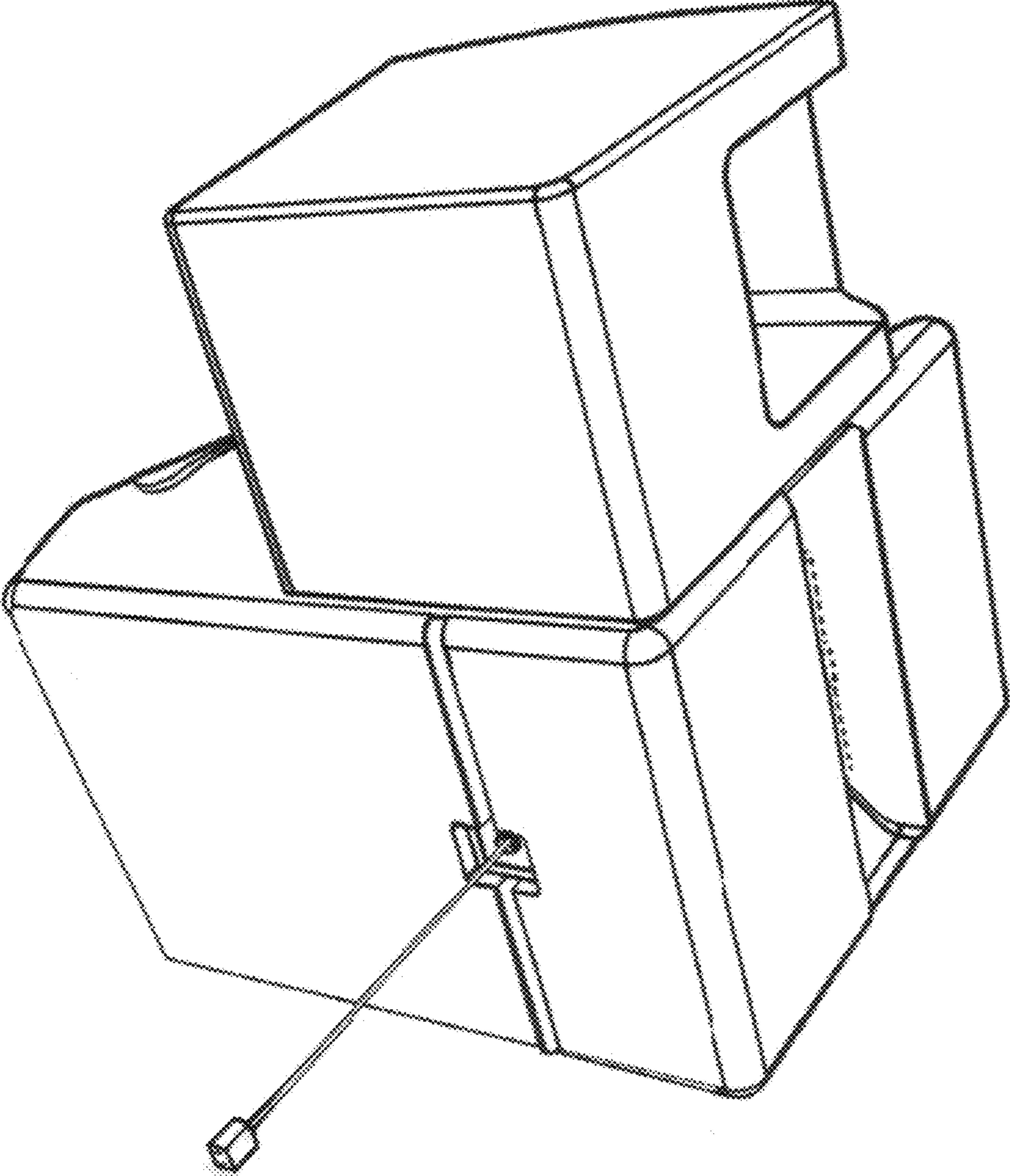


FIG. 2

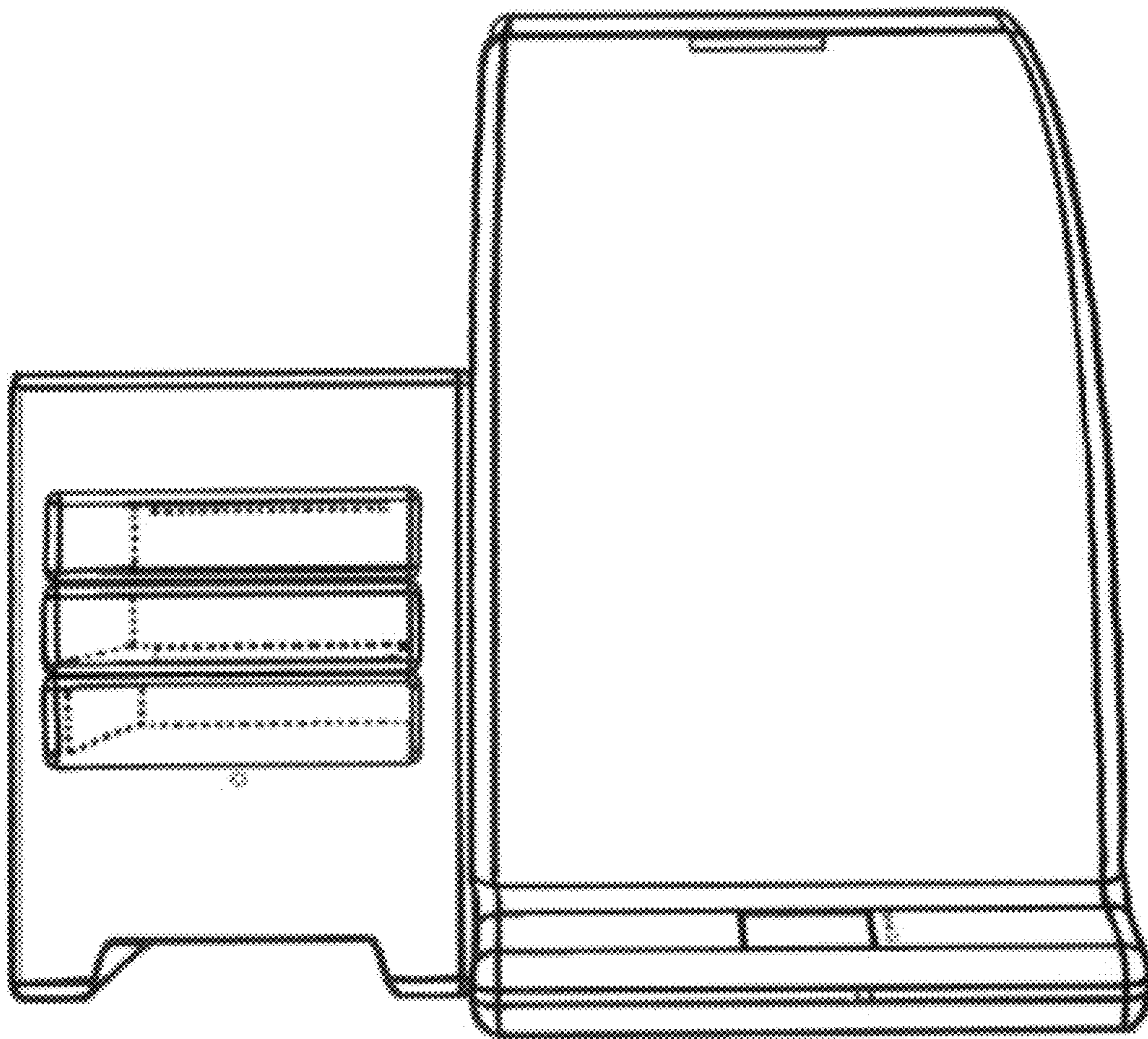


FIG. 3

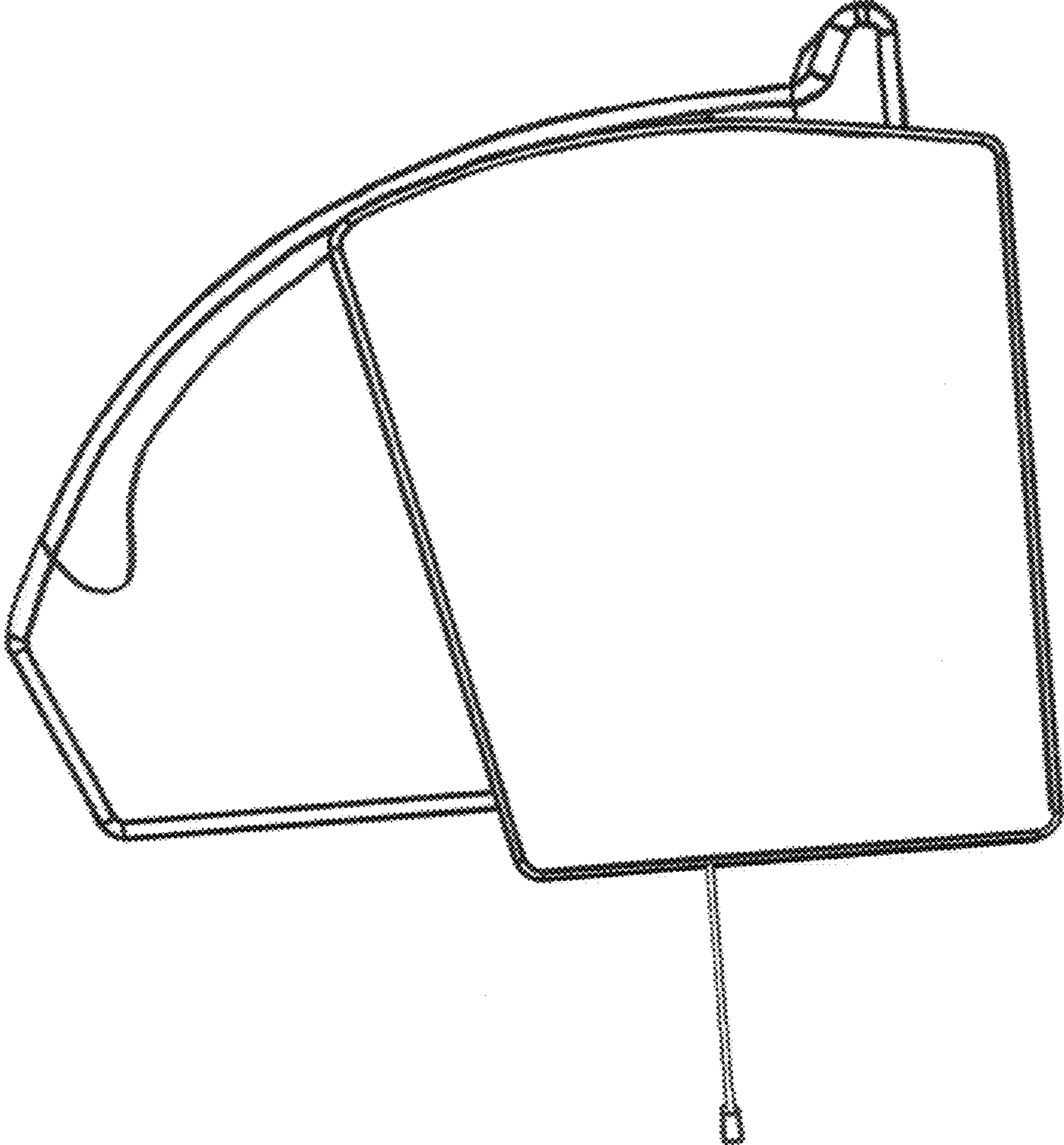


FIG. 4

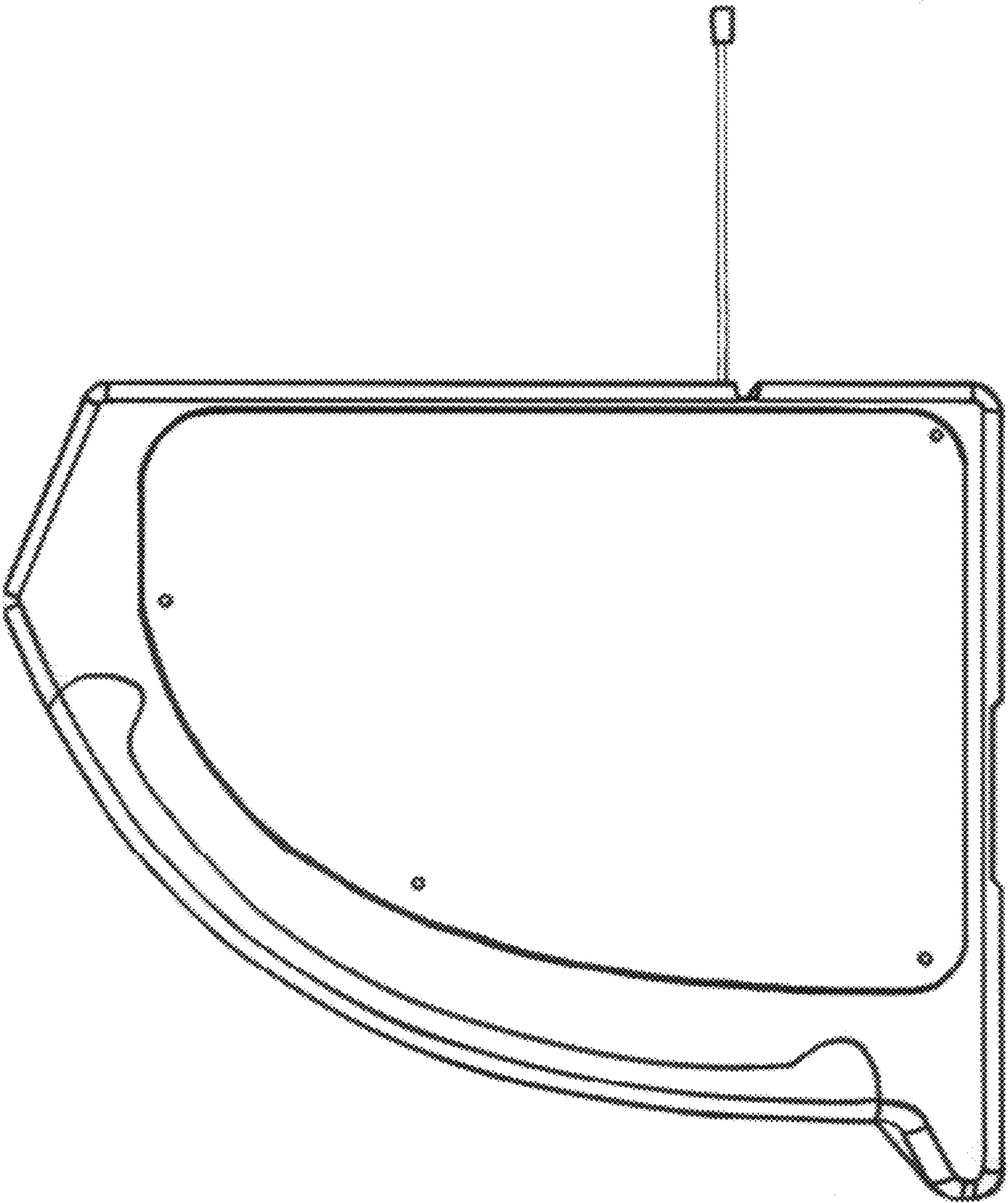


FIG. 5

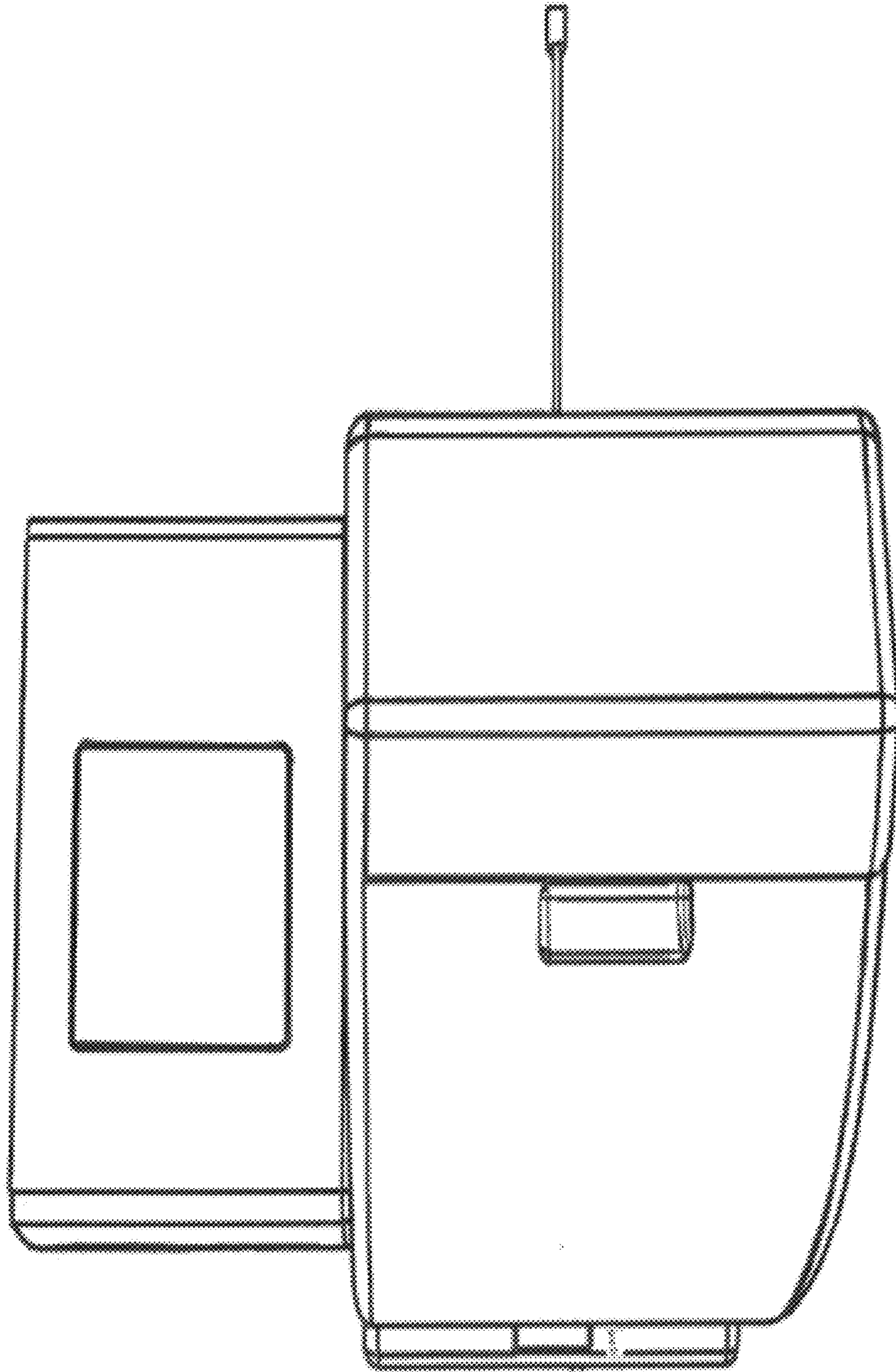


FIG. 6

FIG. 7

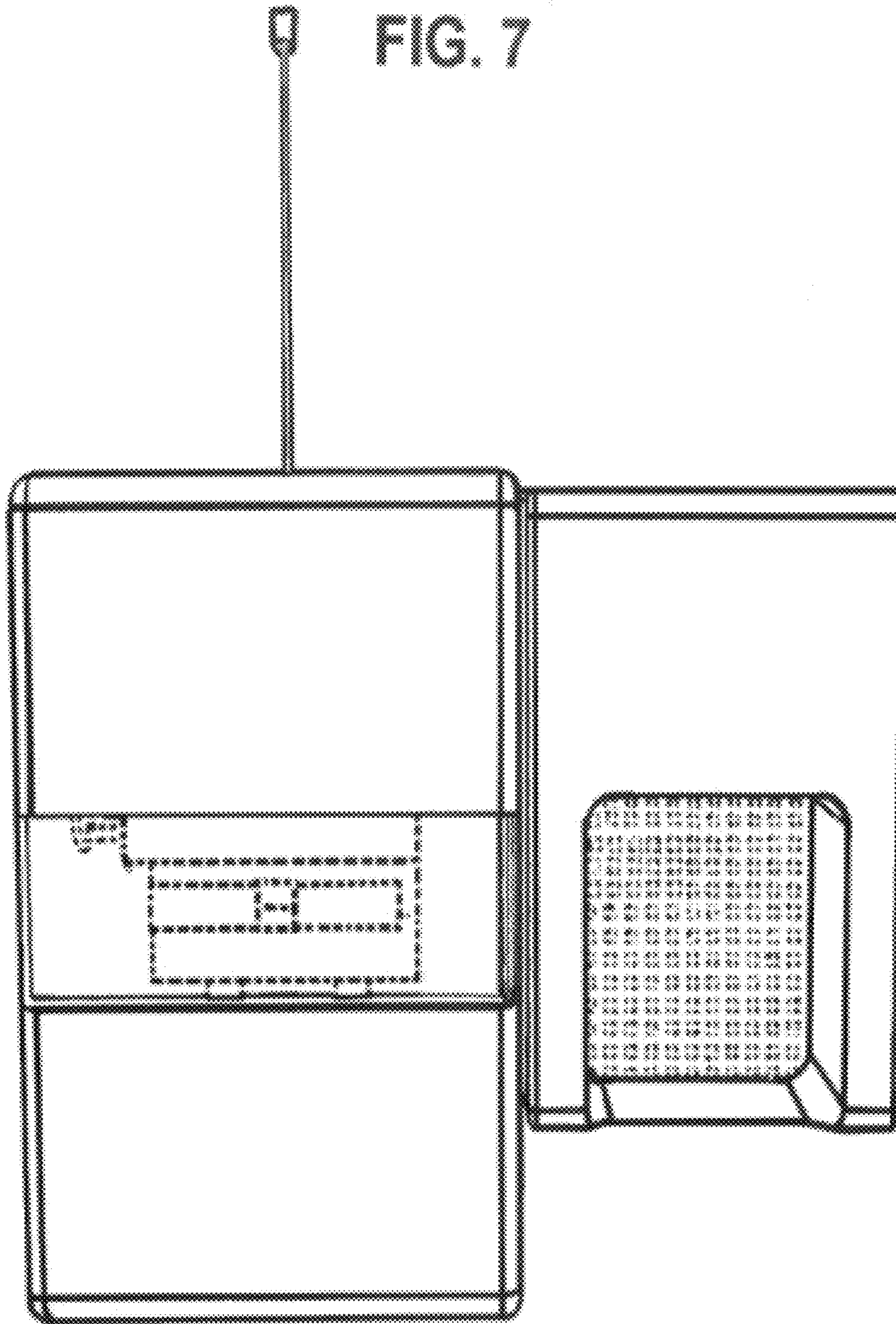


FIG. 8

