

US00D672792S

(12) **United States Design Patent**
Nomizo

(10) **Patent No.:** **US D672,792 S**
(45) **Date of Patent:** **** Dec. 18, 2012**

(54) **RUBBER CRAWLER**
(75) Inventor: **Juichi Nomizo**, Tokyo (JP)
(73) Assignee: **Bridgestone Corporation**, Tokyo (JP)
(**) Term: **14 Years**

D567,823 S 4/2008 Hagio
D602,962 S 10/2009 Miyamoto et al.
D613,774 S 4/2010 Mizusawa
D613,775 S 4/2010 Mizusawa
D615,106 S 5/2010 Shimozono
D618,254 S 6/2010 Shimozono
D626,973 S 11/2010 Shimozono

(Continued)

(21) Appl. No.: **29/424,583**
(22) Filed: **Jun. 13, 2012**

FOREIGN PATENT DOCUMENTS

JP 510831-2 S 9/1981
(Continued)

Related U.S. Application Data

(62) Division of application No. 29/388,714, filed on Mar. 31, 2011.

OTHER PUBLICATIONS

Japanese Design Gazette dated Dec. 12, 2011 issued in the counter-part Japanese Design Application No. D2010-27057.

(Continued)

(30) **Foreign Application Priority Data**

Nov. 10, 2010 (JP) 2010-027057
Mar. 7, 2011 (JP) 2011-005176

Primary Examiner — Mark Goodwin
(74) *Attorney, Agent, or Firm* — Sughrue Mion, PLLC

(51) **LOC (9) Cl.** **15-03**
(52) **U.S. Cl.** **D15/28**
(58) **Field of Classification Search** D15/22-26,
D15/28; D21/491, 495, 537, 431, 484; 152/108,
152/62, 88; 305/35, 44, 160, 185, 53, 201,
305/46, 50, 196, 198, 200, 39, 162, 187,
305/191, 189

(57) **CLAIM**
The ornamental design for a rubber crawler, as shown and described.

See application file for complete search history.

DESCRIPTION

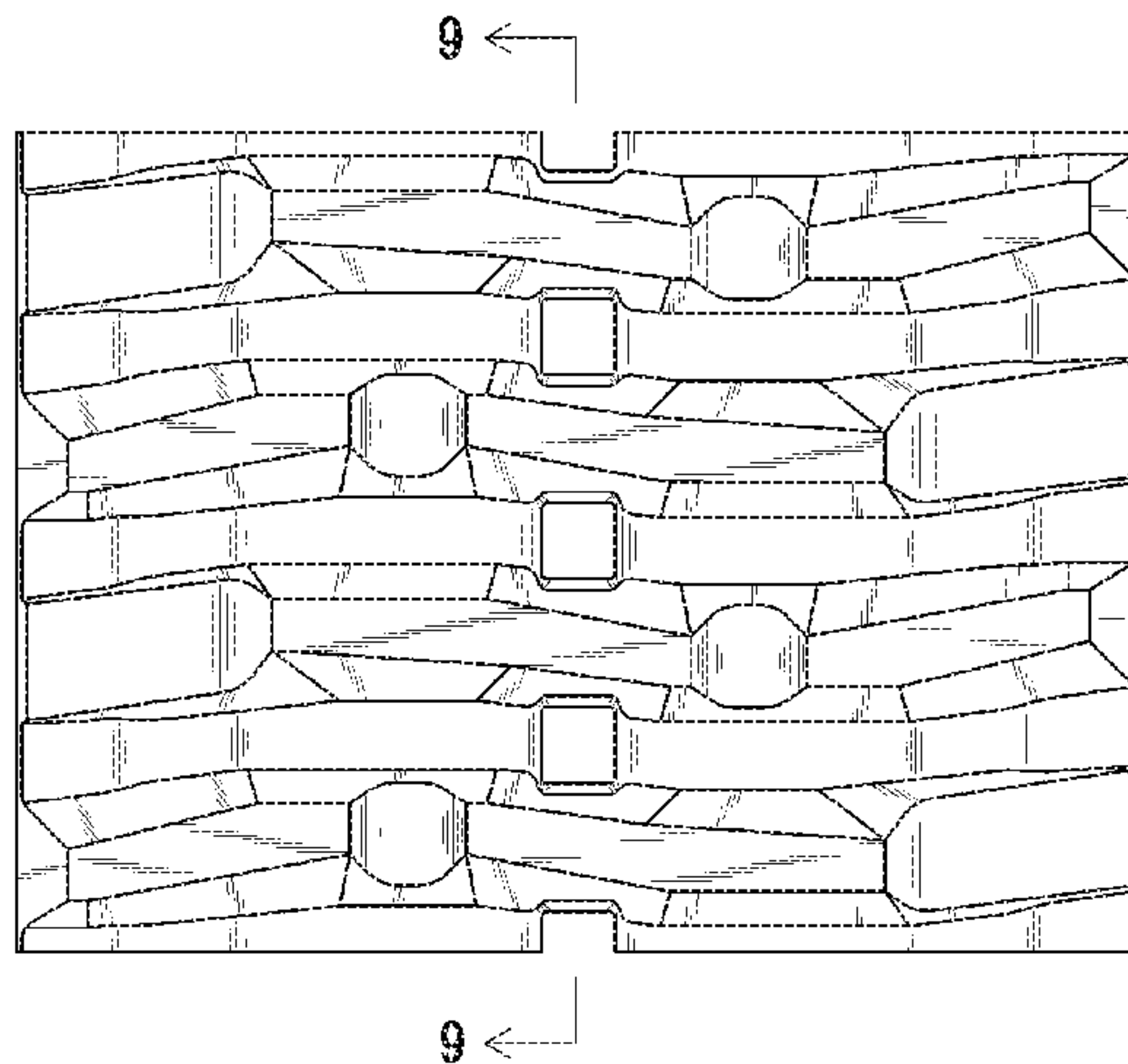
FIG. 1 is a front view of a rubber crawler showing my new design;
FIG. 2 is a first perspective view thereof;
FIG. 3 is a second perspective view thereof;
FIG. 4 is a rear view thereof;
FIG. 5 is a top view thereof;
FIG. 6 is a bottom view thereof;
FIG. 7 is a left side view thereof;
FIG. 8 is a right side view thereof; and,
FIG. 9 is a front central longitudinal sectional view taken along line 9-9 in FIG. 1.
Broken lines in the drawing figures are used to show unclaimed portions of the rubber crawler, and thus form no part of the claimed invention.

(56) **References Cited**

U.S. PATENT DOCUMENTS

6,079,802 A 6/2000 Nishimura et al.
D454,890 S 3/2002 Tsuru
D484,515 S 12/2003 Nishimura
D496,051 S 9/2004 Yoshida
D514,133 S 1/2006 Fujita
D543,218 S 5/2007 Yoshida
D549,741 S 8/2007 Tateishi
D557,713 S 12/2007 Sugihara
D561,786 S 2/2008 Tateishi
D562,353 S 2/2008 Sugihara
D562,852 S 2/2008 Tateishi
D565,605 S 4/2008 Tateishi
D565,606 S 4/2008 Sugihara

1 Claim, 9 Drawing Sheets



US D672,792 S

Page 2

U.S. PATENT DOCUMENTS

2001/0054845 A1* 12/2001 Choi 305/178

FOREIGN PATENT DOCUMENTS

JP 510831-3 S 9/1981
JP 923520 S 4/1995
JP 1180763 S 7/2003

JP 1214658 S 8/2004

OTHER PUBLICATIONS

Japanese Design Gazette dated Dec. 12, 2011 issued in the counter-
part Japanese Design Application No. D2011-5176.

* cited by examiner

FIG. 1

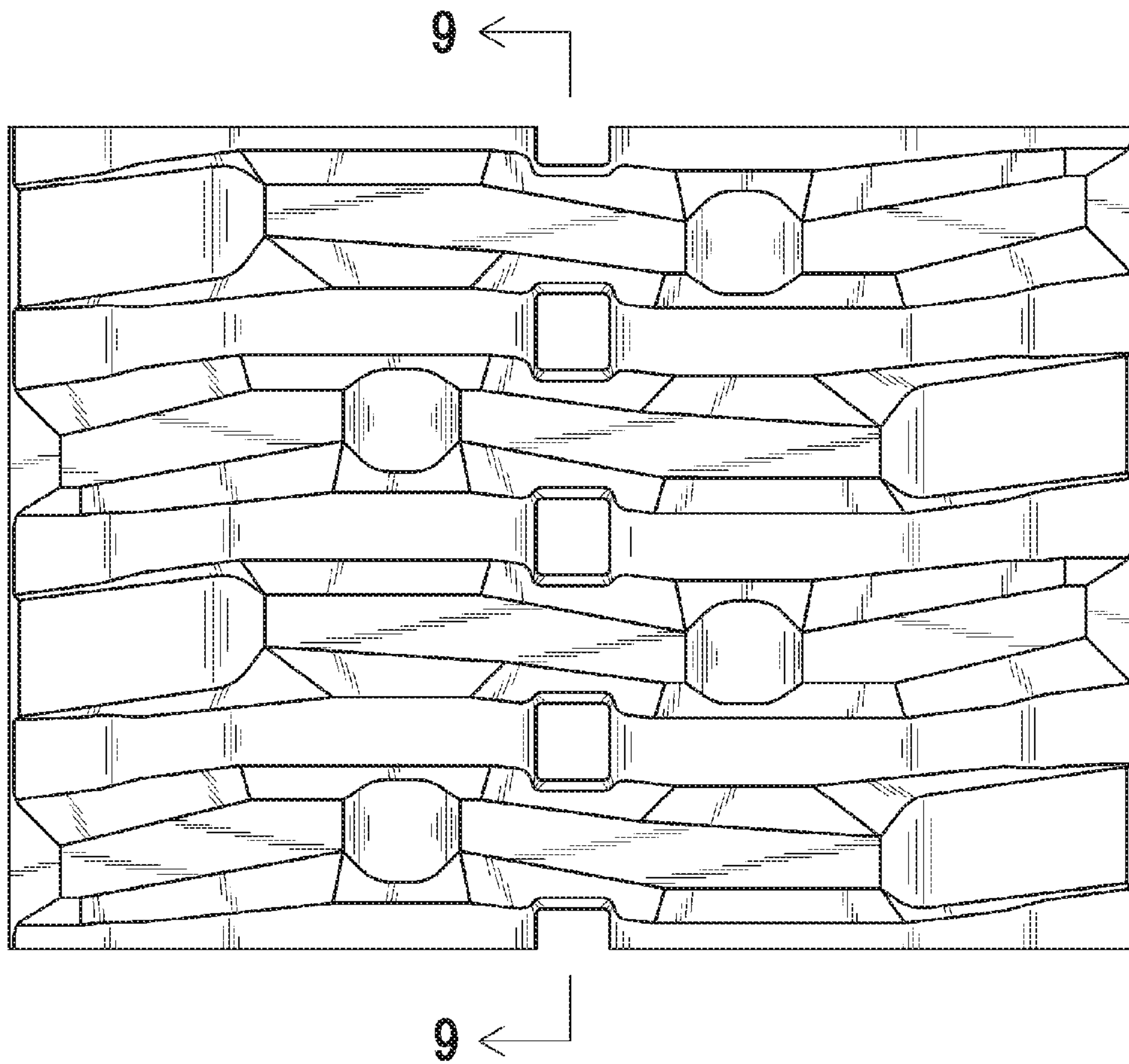


FIG. 2

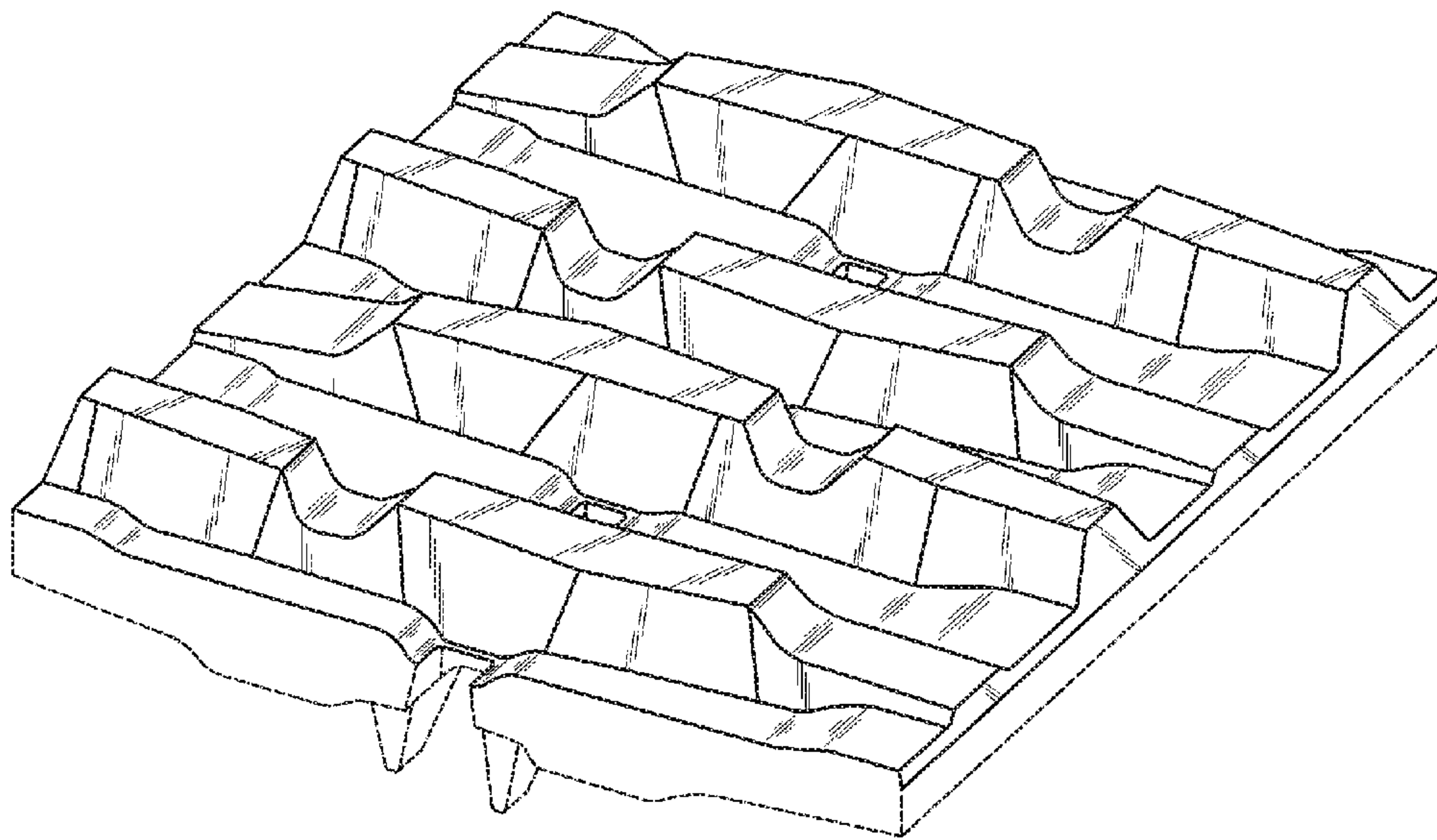


FIG. 3

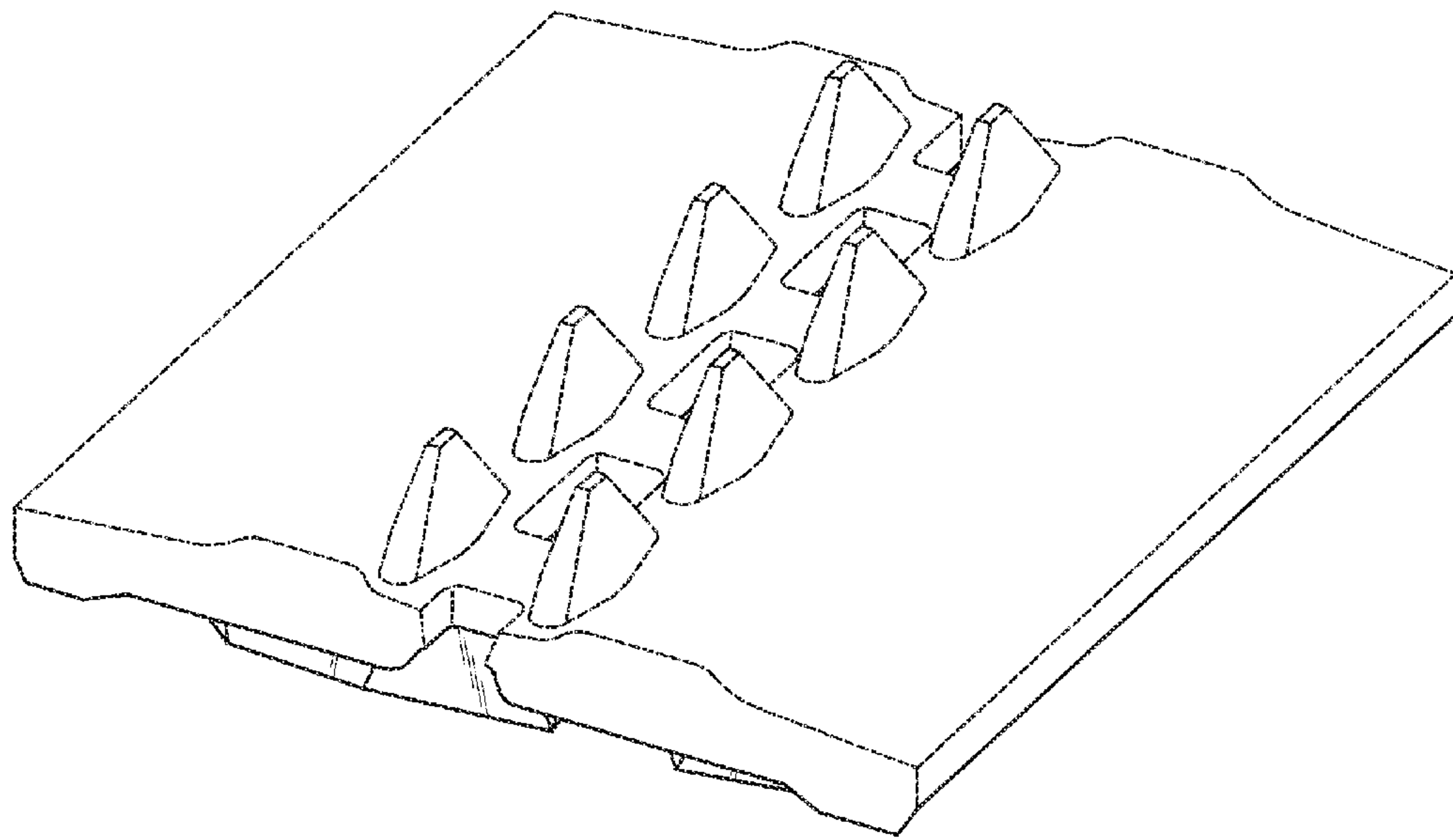


FIG. 4

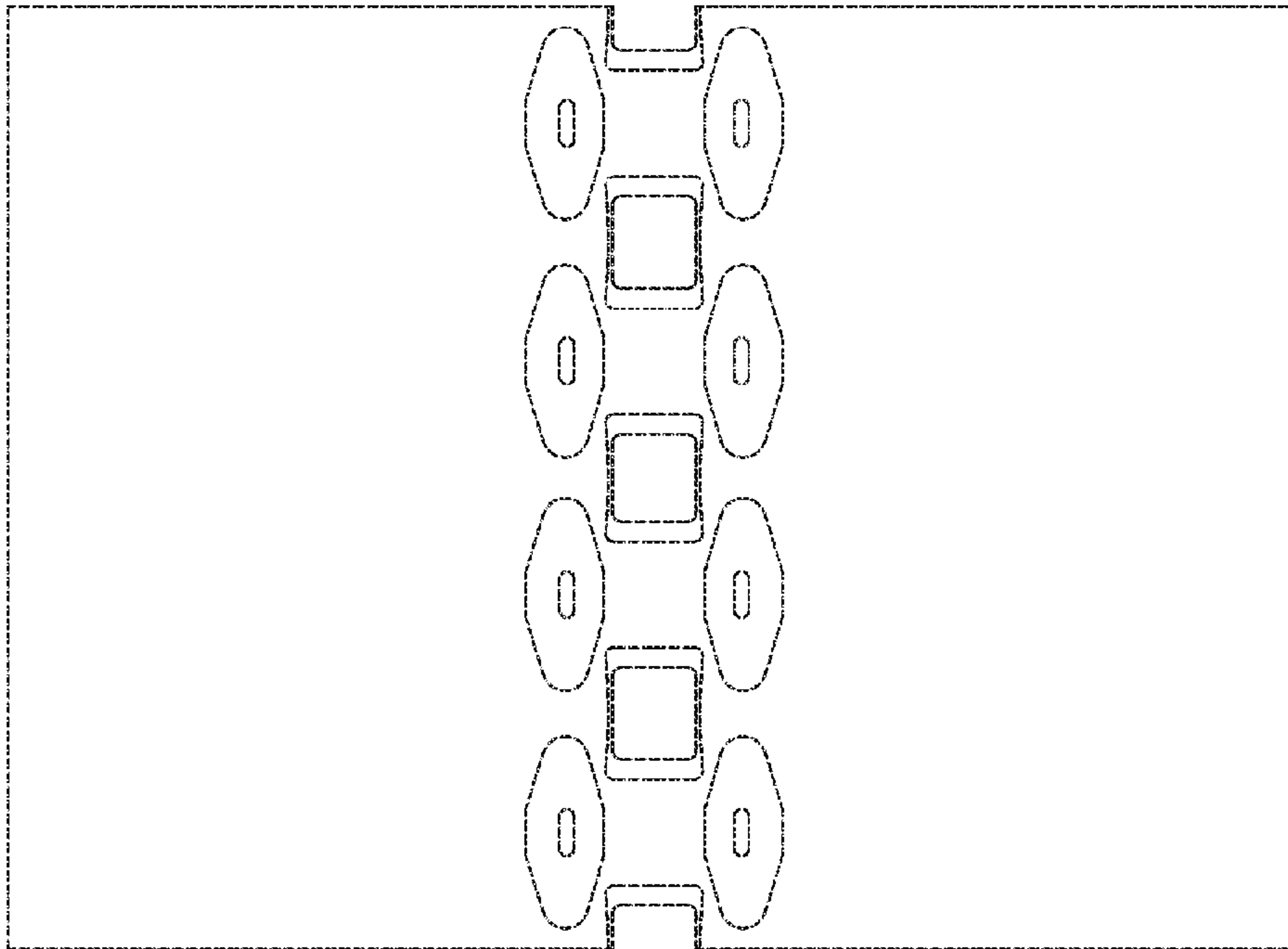


FIG. 5

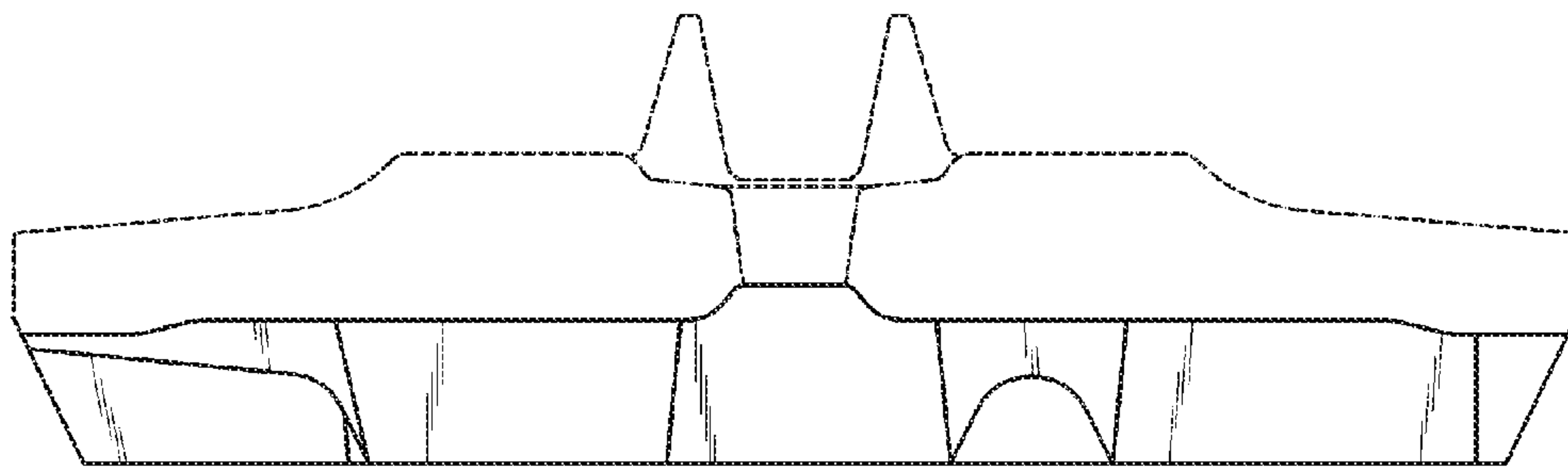


FIG. 6

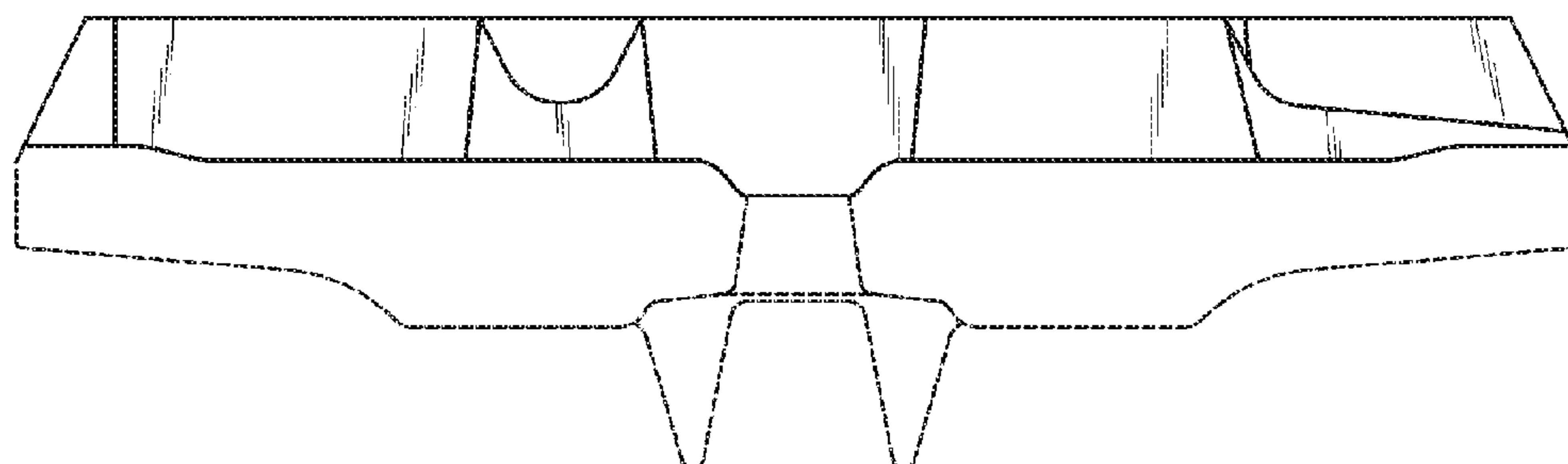


FIG. 7

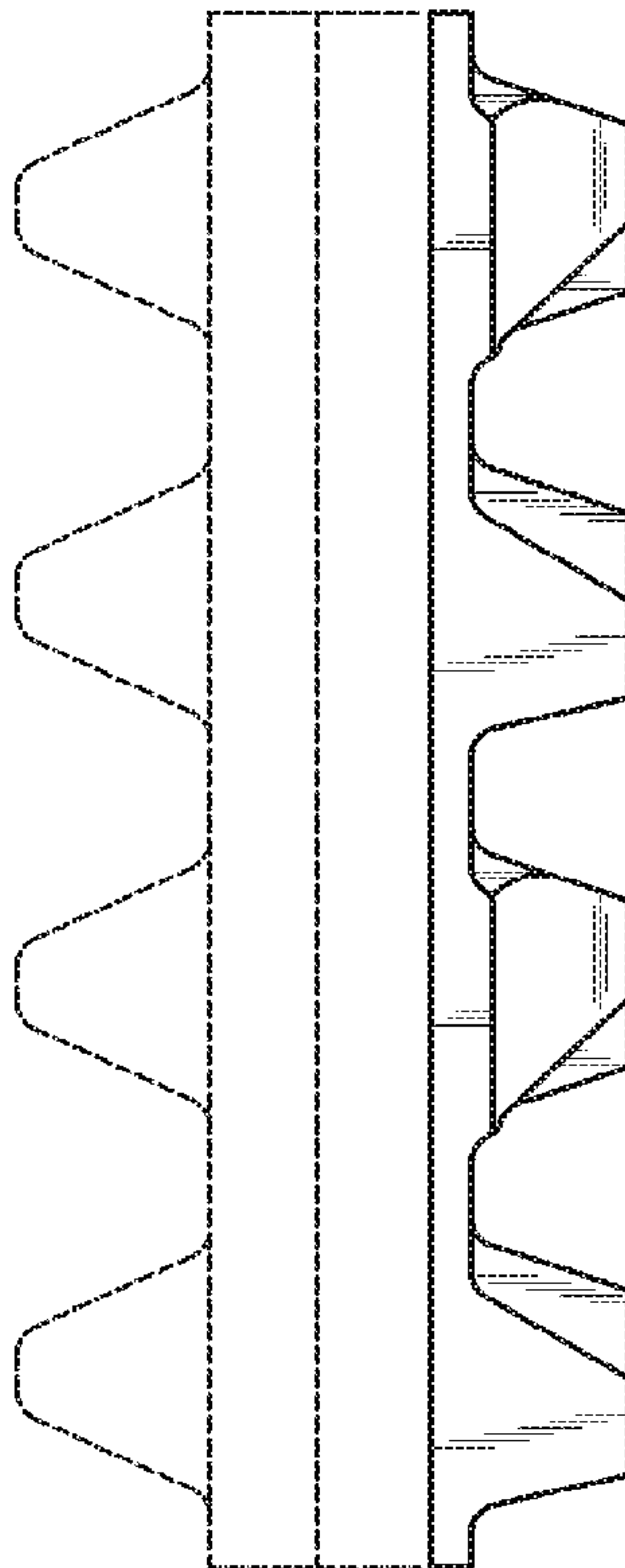


FIG. 8

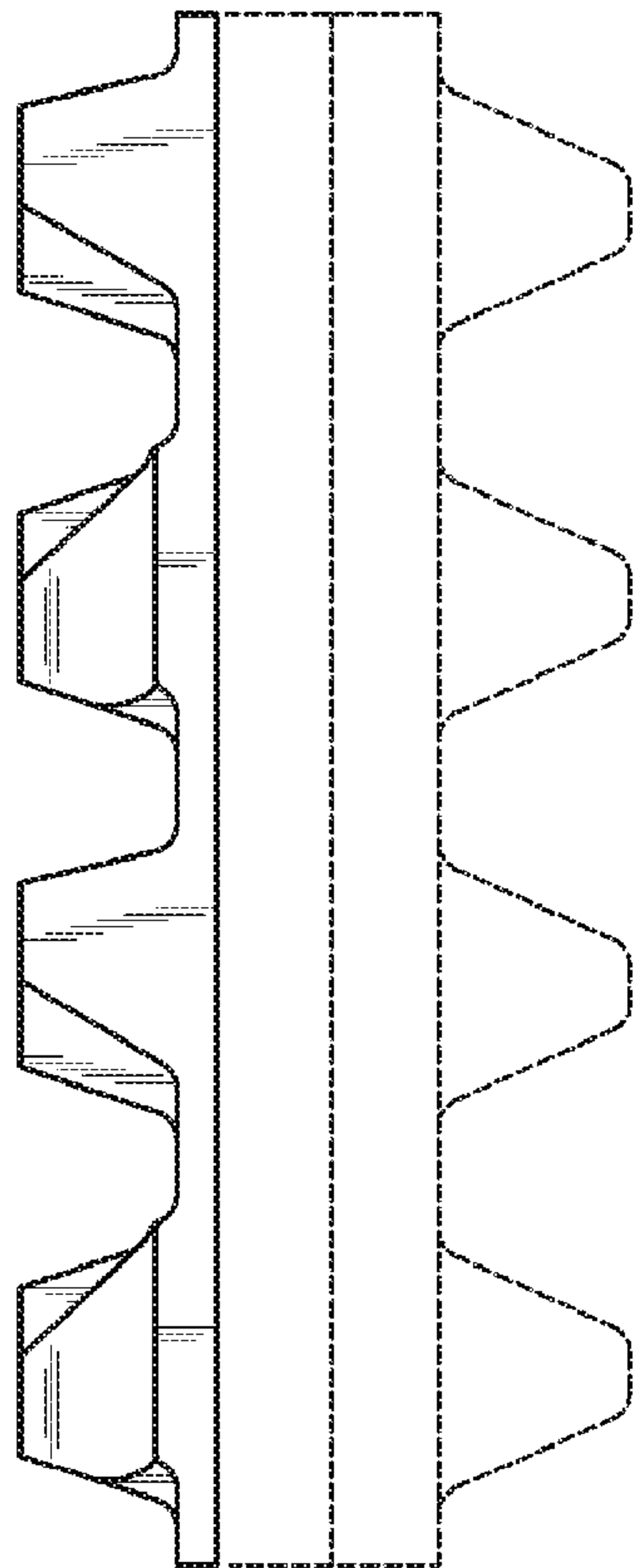


FIG. 9

