



US00D672791S

(12) **United States Design Patent**
Nakamura et al.

(10) **Patent No.:** **US D672,791 S**

(45) **Date of Patent:** **** Dec. 18, 2012**

(54) **BOOM FOR CONSTRUCTION MACHINE**

(75) Inventors: **Takanobu Nakamura**, Hiroshima (JP);
Yasushi Shigenari, Hiroshima (JP);
Takanori Yamasaki, Hiroshima (JP)

(73) Assignee: **Kobelco Construction Machinery Co., Ltd.**, Hiroshima-Shi, Hiroshima (JP)

(**) Term: **14 Years**

(21) Appl. No.: **29/411,414**

(22) Filed: **Jan. 20, 2012**

(30) **Foreign Application Priority Data**

Jul. 29, 2011 (JP) D2011-17490
Jul. 29, 2011 (JP) D2011-17493

(51) **LOC (9) Cl.** **15-03**

(52) **U.S. Cl.** **D15/28; D15/32**

(58) **Field of Classification Search** D15/10,
D15/22-25, 28, 32; D34/36; 37/304, 468;
172/272-275; 212/347; 180/89.1, 311, 89.12,
180/89.13; 414/685-688, 722-724, 540,
414/559, 694, 708, 918, 680, 800, 698, 699,
414/713

See application file for complete search history.

(56) **References Cited**

U.S. PATENT DOCUMENTS

3,283,928 A * 11/1966 De Bosredon 414/694
4,094,422 A * 6/1978 Thompson 414/715
D262,279 S * 12/1981 Rallis et al. D34/34
D299,079 S * 12/1988 Bernabe, Jr. D34/36
D301,127 S * 5/1989 Lindblom D12/14
5,054,990 A * 10/1991 Schaeff 414/694
D339,813 S * 9/1993 Houkom D15/32
5,245,770 A * 9/1993 Ko et al. 37/443
D348,967 S * 7/1994 Goto et al. D34/34
5,611,657 A * 3/1997 Peterson 414/722
D388,930 S * 1/1998 Pinkston et al. D34/34
D410,240 S * 5/1999 Sasaki D15/32
D412,913 S * 8/1999 Sasaki D15/32
D451,105 S * 11/2001 Masumoto et al. D15/28
6,606,805 B2 * 8/2003 Kimble et al. 37/468

6,996,926 B2 * 2/2006 Fatemi 37/468
D538,829 S * 3/2007 Nilsson D15/28
D595,746 S * 7/2009 Iida et al. D15/32
D598,031 S * 8/2009 Smith et al. D15/28
7,735,530 B1 * 6/2010 Riha et al. 144/4.1
D629,019 S * 12/2010 Major D15/32
D646,302 S * 10/2011 Lanting et al. D15/28

(Continued)

FOREIGN PATENT DOCUMENTS

JP 2005-105520 A 4/2005

(Continued)

OTHER PUBLICATIONS

Catalog of Hitachi Consturction Machinery Co., Ltd. Jul. 2010.

Primary Examiner — Mark Goodwin

(74) *Attorney, Agent, or Firm* — Birch, Stewart, Kolasch & Birch, LLP

(57) **CLAIM**

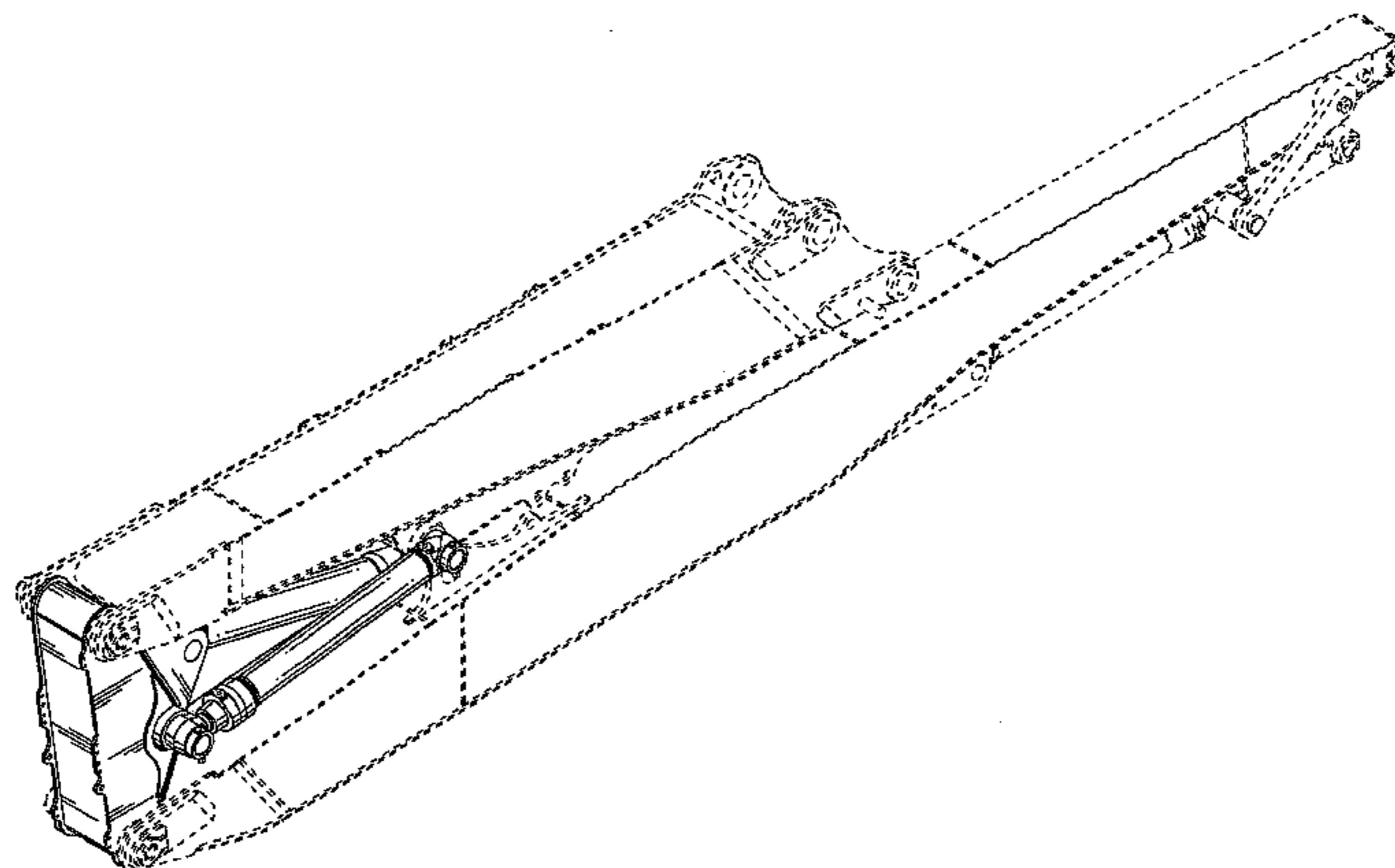
The ornamental design for a boom for construction machine, as shown and described.

DESCRIPTION

FIG. 1 is a perspective view of a boom for construction machine showing our new design;
FIG. 2 is a second perspective view thereof;
FIG. 3 is a front view thereof;
FIG. 4 is a rear view thereof;
FIG. 5 is a left side view thereof;
FIG. 6 is a right side view thereof;
FIG. 7 is a top view thereof;
FIG. 8 is a bottom view thereof;
FIG. 9 is an enlarged left side view thereof;
FIG. 10 is an enlarged right side view thereof;
FIG. 11 is an enlarged cross-sectional view taken along line 11-11 in FIG. 3 thereof; and,
FIG. 12 is an enlarged cross-sectional view taken along line 12-12 in FIG. 3 thereof.

The portion shown by broken lines is for illustrative purposes only and forms no part of the claimed design.

1 Claim, 7 Drawing Sheets



US D672,791 S

Page 2

U.S. PATENT DOCUMENTS

D646,303 S * 10/2011 Lanting et al. D15/28
D646,306 S * 10/2011 Bradley et al. D15/32
D654,514 S * 2/2012 Jamieson et al. D15/28
D656,164 S * 3/2012 Nilsson D15/32
D662,682 S * 6/2012 Maini et al. D34/36
2002/0071754 A1* 6/2002 Fatemi 414/723
2003/0118432 A1* 6/2003 Lee 414/722
2003/0126772 A1* 7/2003 Masumoto et al. 37/466
2005/0011560 A1* 1/2005 Anderson et al. 137/615

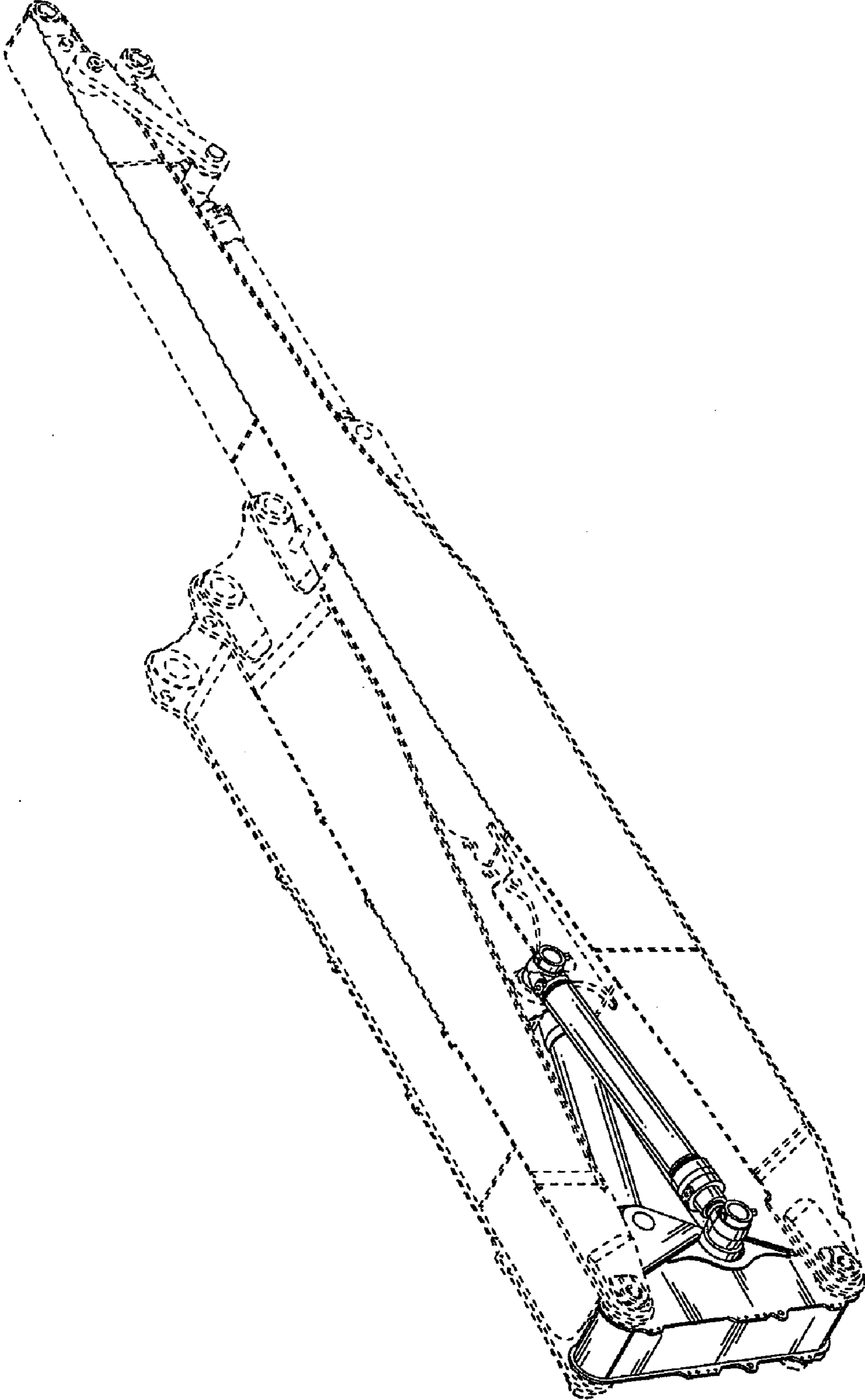
2006/0096941 A1* 5/2006 Stoetzer 212/347
2006/0107557 A1* 5/2006 Fatemi 37/466
2008/0041805 A1* 2/2008 Jantti 212/270
2009/0078666 A1* 3/2009 Seino 212/347
2009/0078667 A1* 3/2009 Oyamada et al. 212/347
2010/0119344 A1* 5/2010 Nabata et al. 414/722

FOREIGN PATENT DOCUMENTS

JP 2008-272648 A 11/2008

* cited by examiner

FIG.1



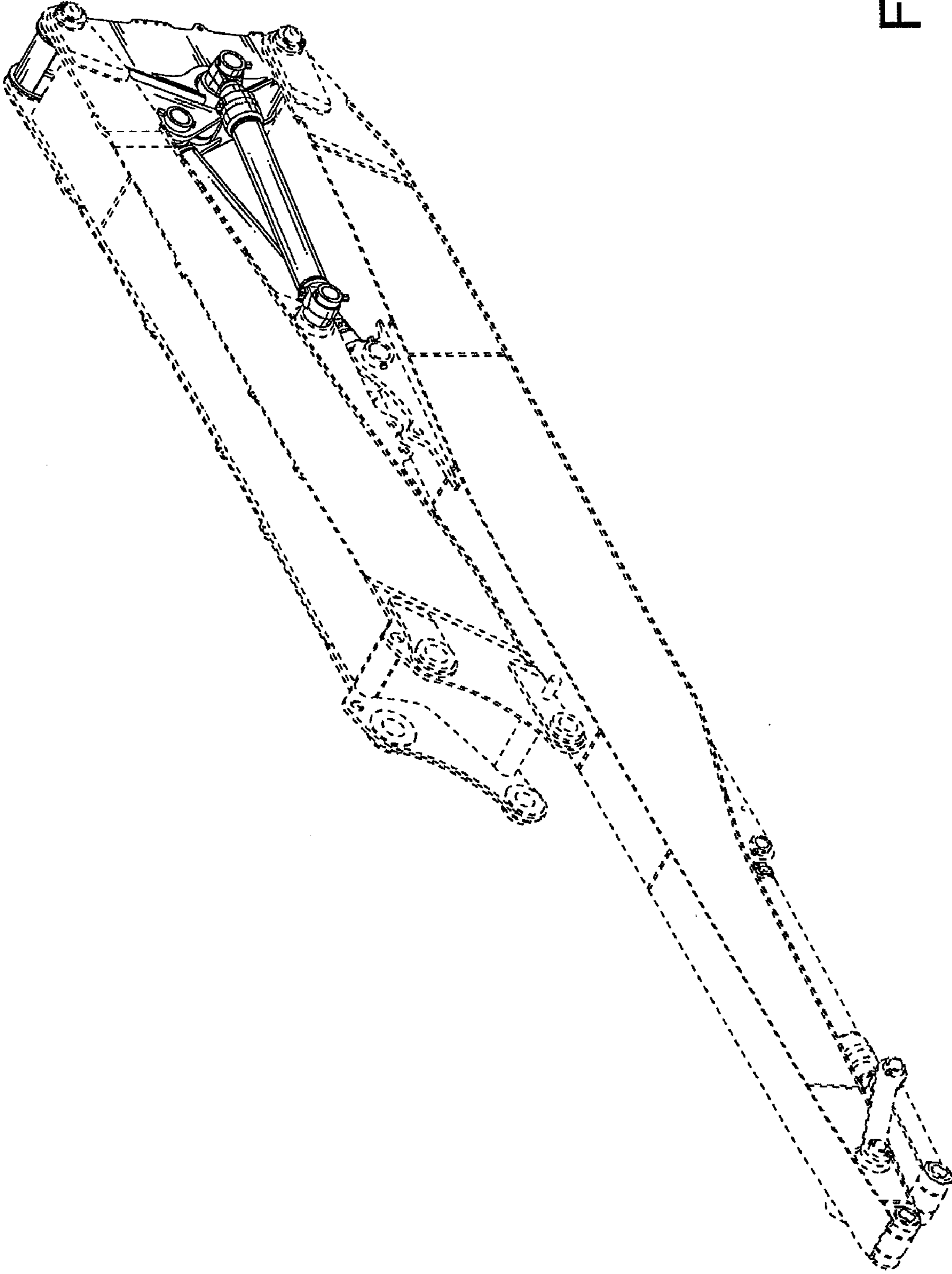


FIG.2

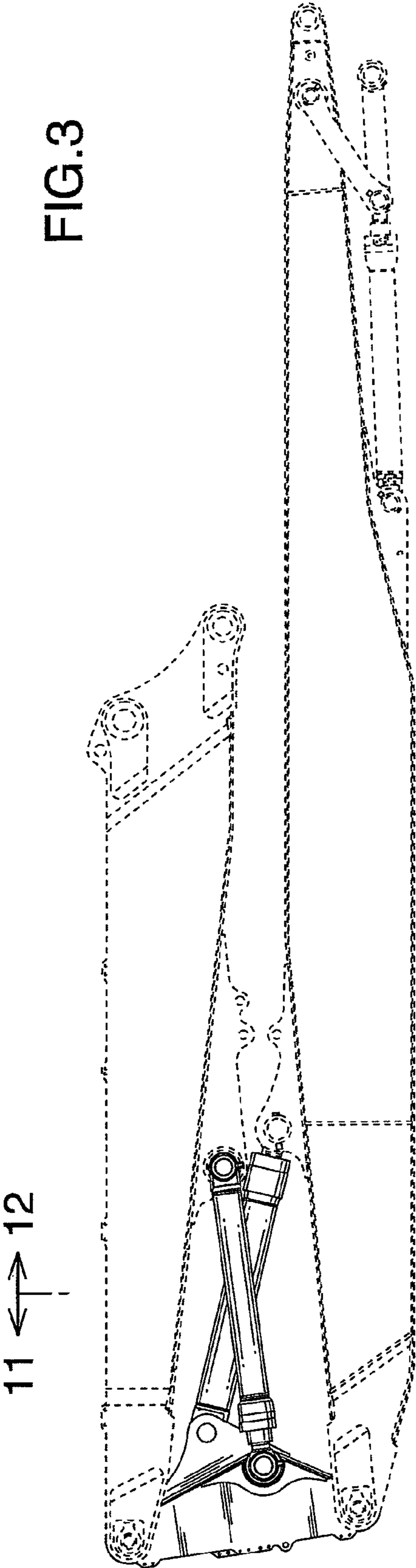


FIG.3

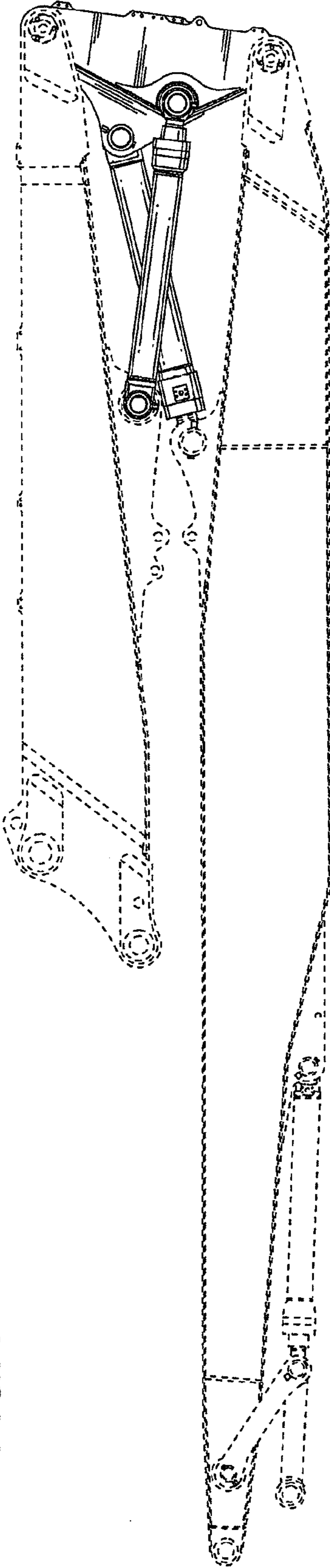


FIG.4

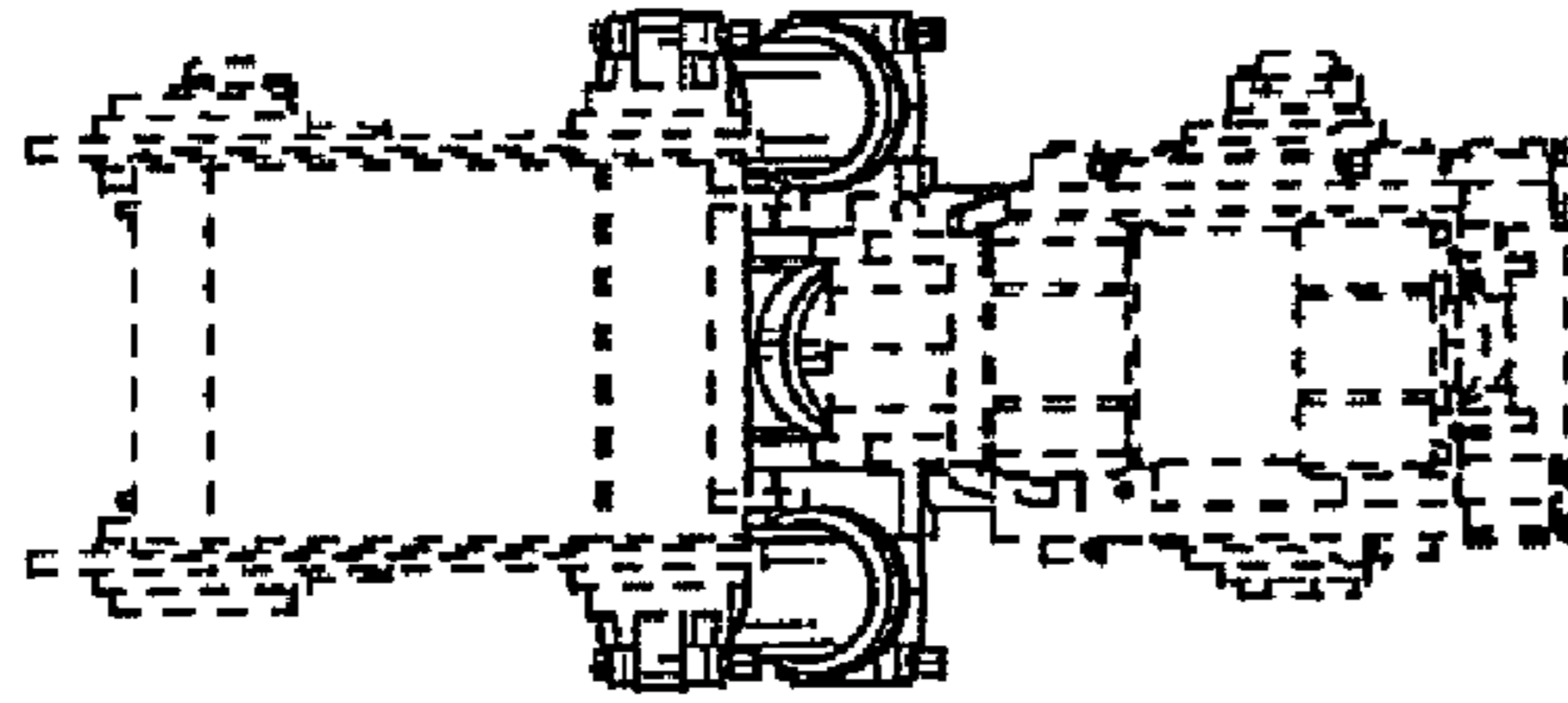


FIG. 5

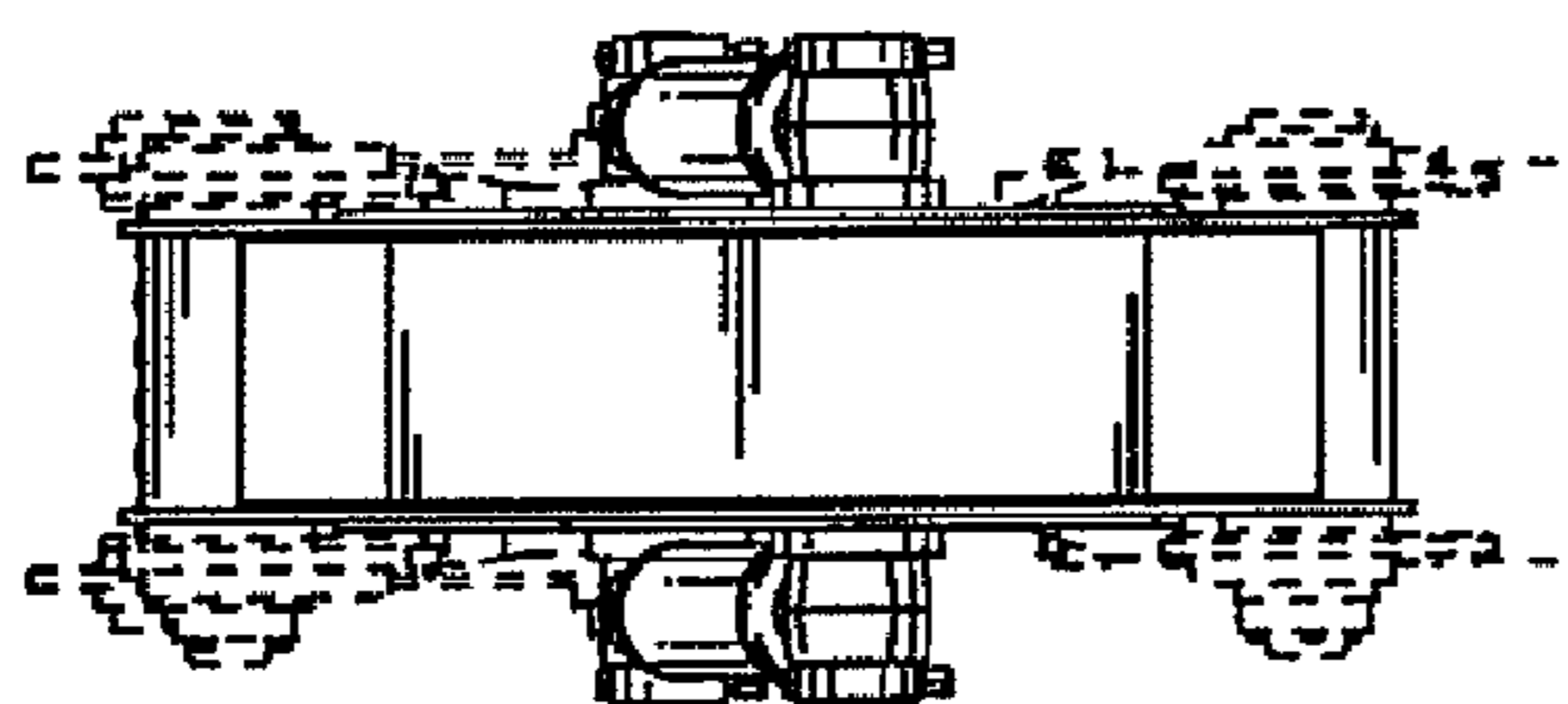


FIG. 6

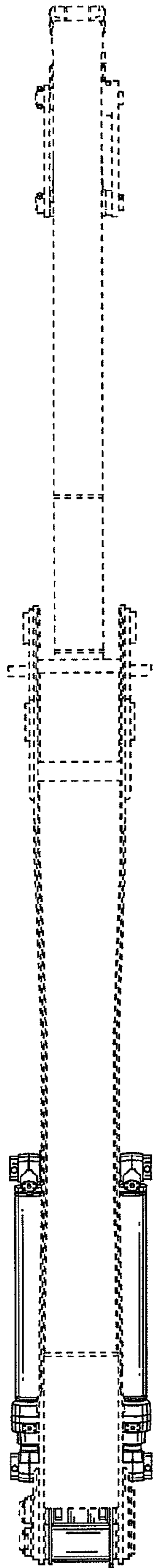


FIG.7

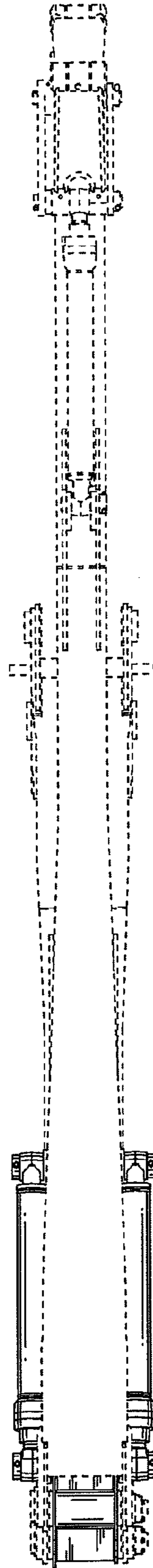


FIG.8

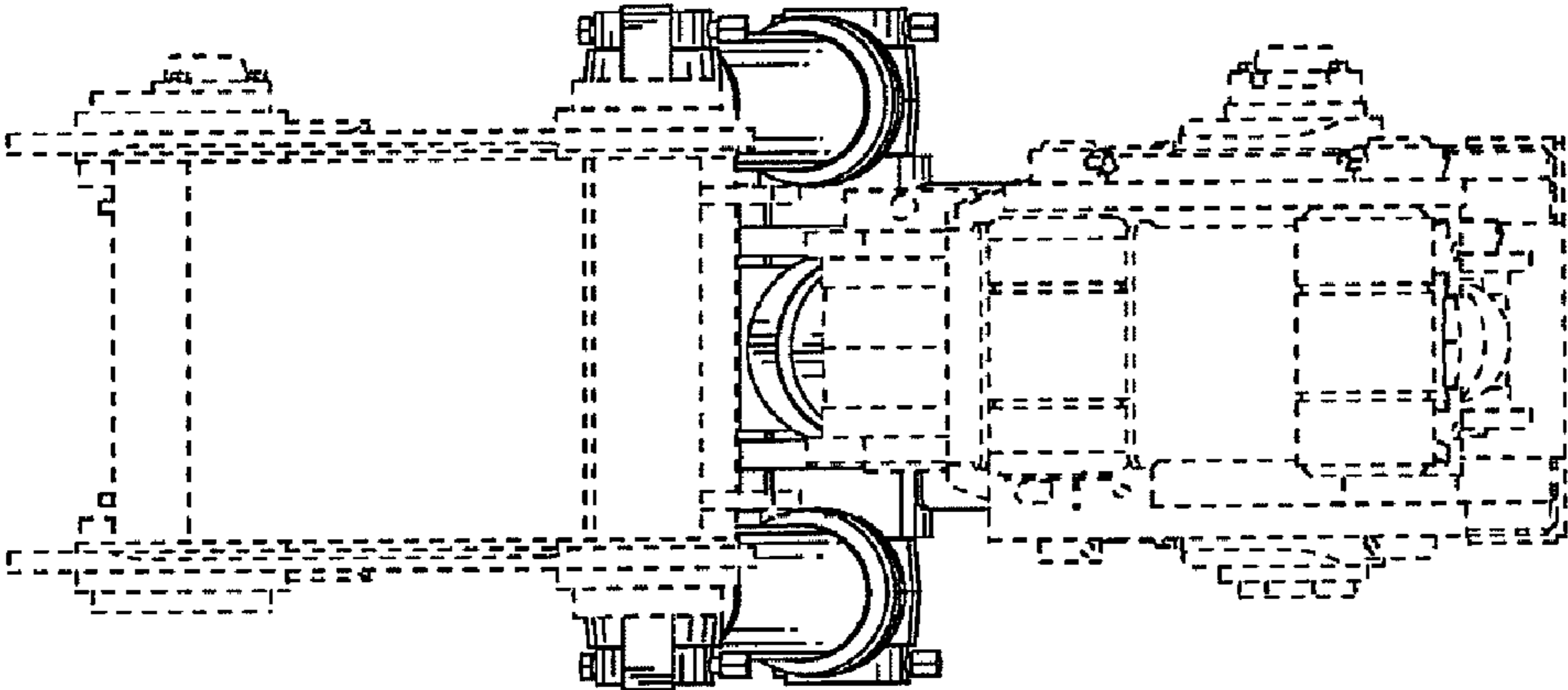


FIG. 10

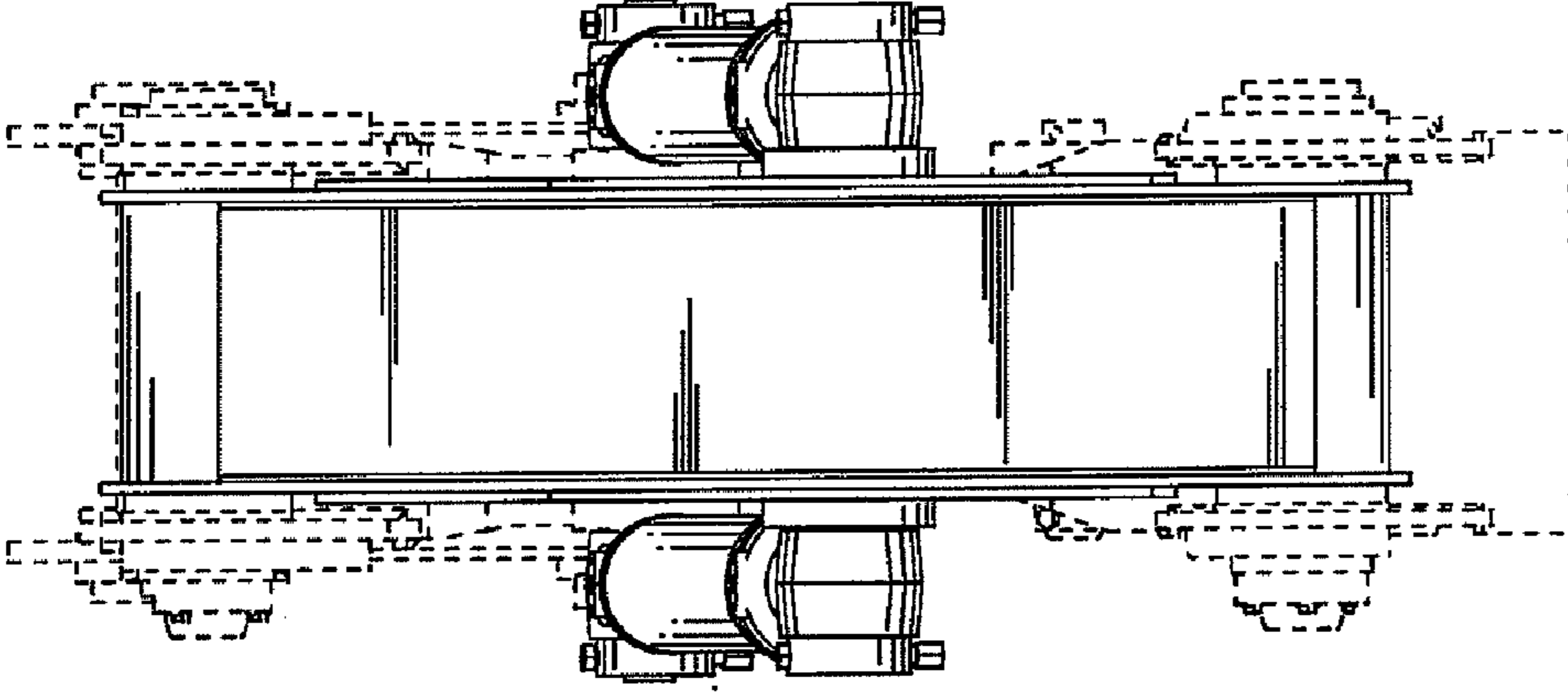


FIG. 9

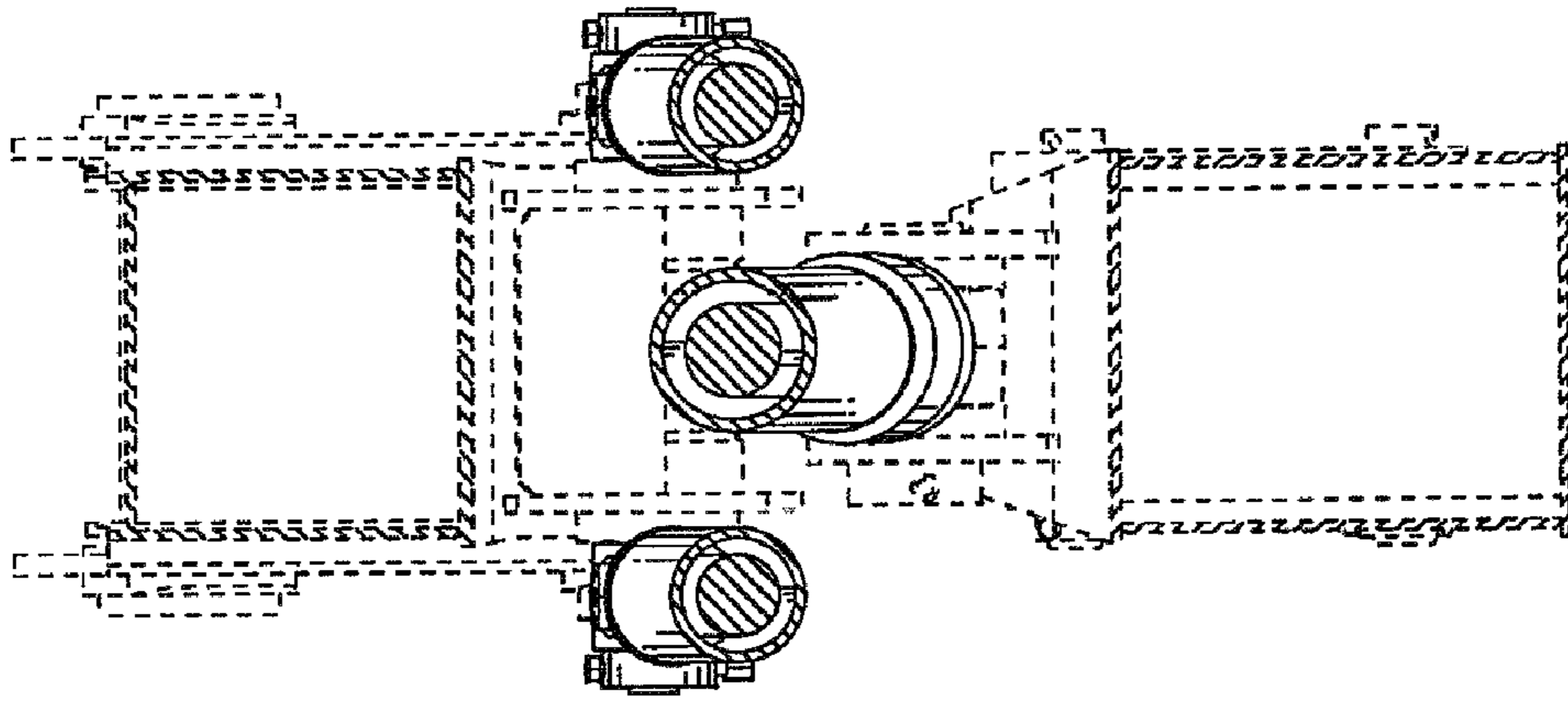


FIG.12

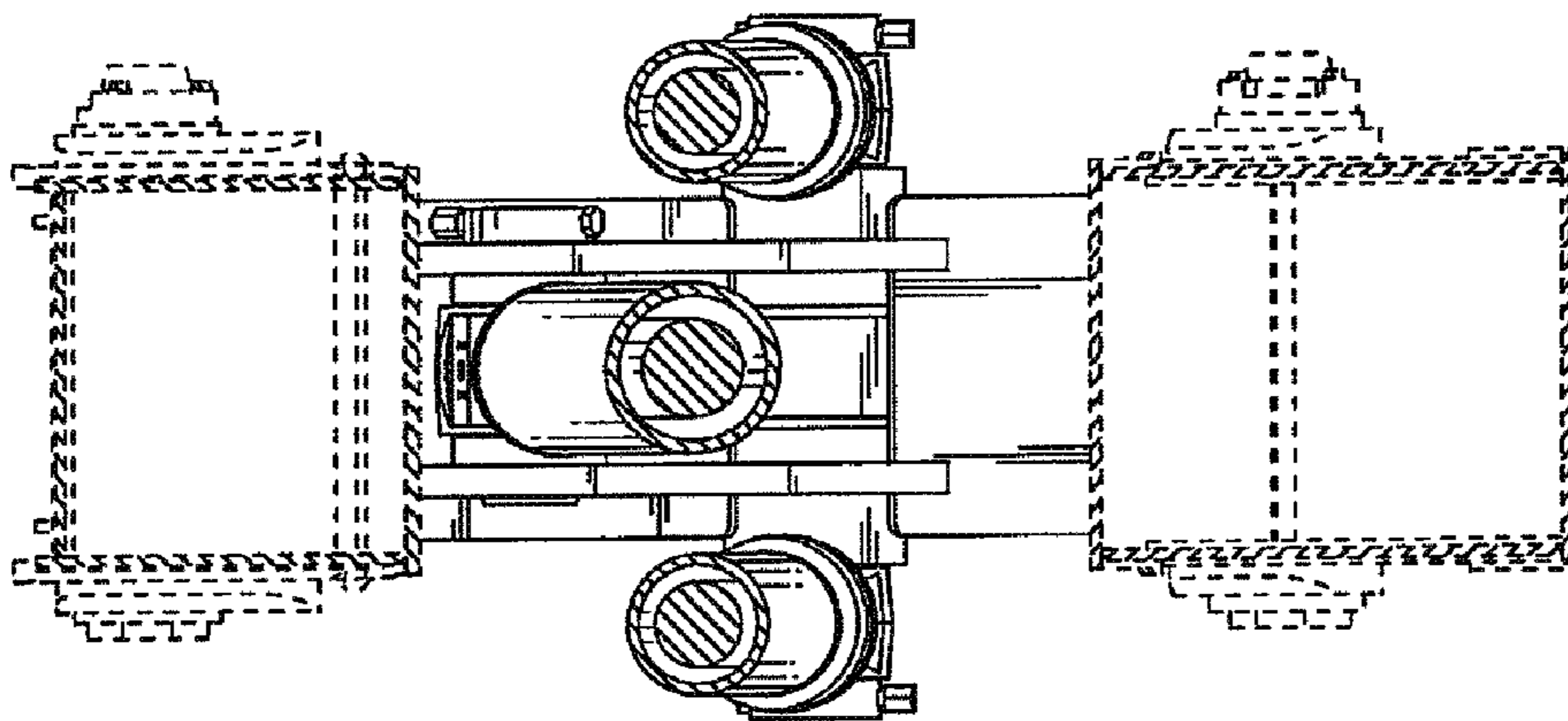


FIG.11