



US00D672789S

(12) **United States Design Patent**
Bongiovanni

(10) **Patent No.:** **US D672,789 S**

(45) **Date of Patent:** **** Dec. 18, 2012**

(54) **PORTABLE MIXING, TRANSPORTING AND DISPENSING DEVICE**

(75) Inventor: **Carl A. Bongiovanni**, Hampton Township, PA (US)

(73) Assignee: **Bon Tool Co.**, Gibsonia, PA (US)

(**) Term: **14 Years**

(21) Appl. No.: **29/410,469**

(22) Filed: **Jan. 9, 2012**

(51) **LOC (9) Cl.** **15-03**

(52) **U.S. Cl.** **D15/19**

(58) **Field of Classification Search** D15/19,
D15/147, 10; 366/47, 48, 57, 60, 63, 65,
366/181.3, 185, 193, 219, 228, 232, 241,
366/242, 40, 41, 1, 32, 26, 9; 182/186.6;
414/498, 608

See application file for complete search history.

(56) **References Cited**

U.S. PATENT DOCUMENTS

D113,365 S *	2/1939	Parks	D15/19
D149,176 S *	4/1948	Fleischmann	D15/19
D152,872 S *	3/1949	Fleischmann	D15/19
D192,102 S *	1/1962	Machovec	D15/19
D235,371 S *	6/1975	Ponkey et al.	D15/19
D245,006 S *	7/1977	Mills	D15/19
D246,715 S *	12/1977	Clement	D15/19
D256,800 S *	9/1980	Deen et al.	D15/19
D260,150 S *	8/1981	Palmer	D15/19

D278,150 S *	3/1985	Burenga	D15/19
D299,722 S *	2/1989	Mehr	D15/19
D319,832 S *	9/1991	Ross	D15/19
D354,289 S *	1/1995	Fortenberry et al.	D15/19
5,456,416 A *	10/1995	Hartwig	241/260.1
5,868,494 A *	2/1999	Campbell et al.	366/47
D421,613 S *	3/2000	Shiotani	D15/19
D477,331 S *	7/2003	Tsai	D15/19
D500,771 S *	1/2005	Simpson et al.	D15/19
D504,135 S *	4/2005	Simpson et al.	D15/19
D527,391 S *	8/2006	Coli	D15/19
D534,551 S *	1/2007	Kushlan	D15/19
D588,166 S *	3/2009	Lyons, III	D15/19

* cited by examiner

Primary Examiner — Mark Goodwin

(74) *Attorney, Agent, or Firm* — Spilman Thomas & Battle, PLLC

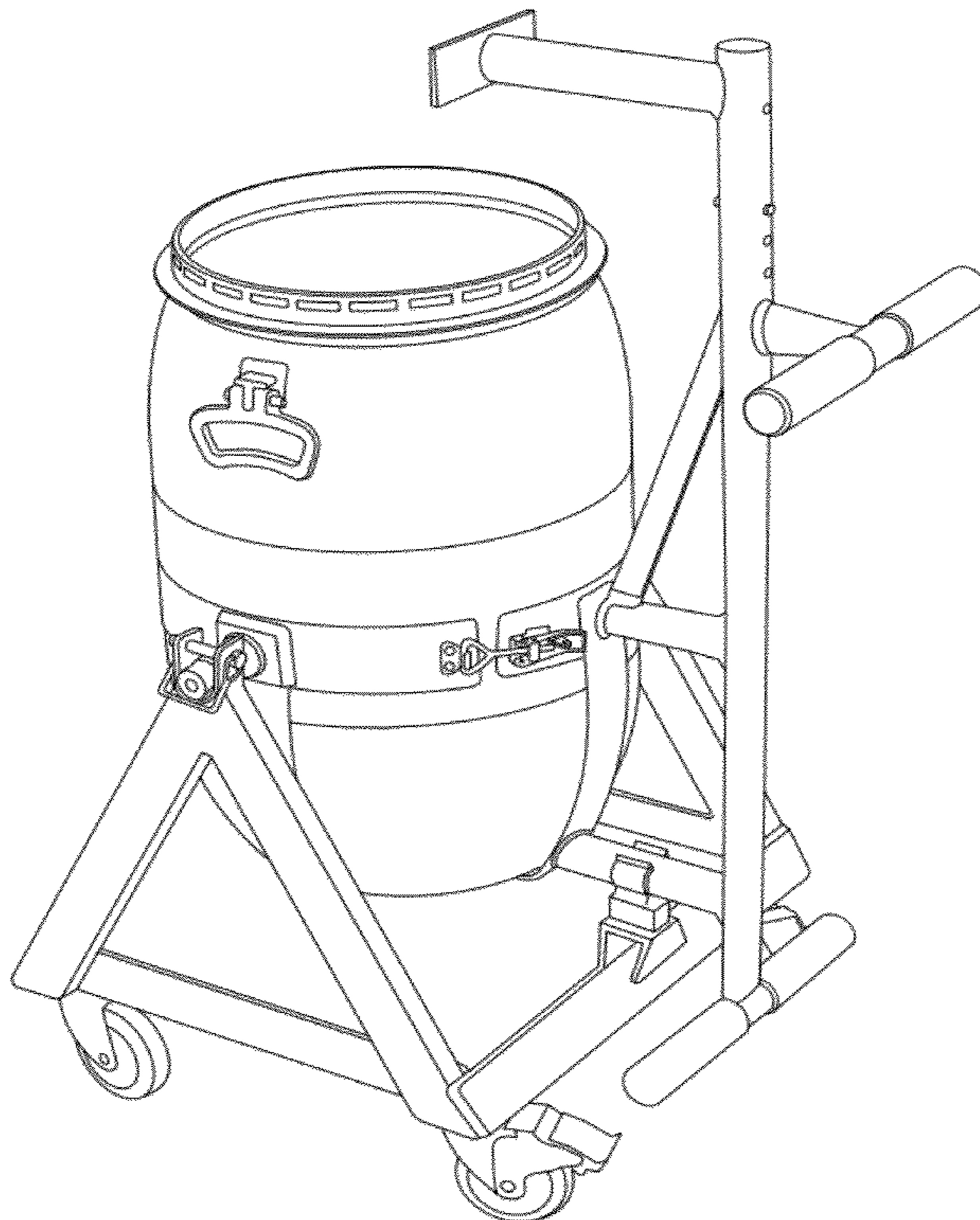
(57) **CLAIM**

The ornamental design for a portable mixing, transporting, and dispensing device, as shown and described.

DESCRIPTION

FIG. 1 is a top rear perspective view of a portable mixing, transporting, and dispensing device showing my new design; FIG. 2 is a front view of the invention illustrated in FIG. 1; FIG. 3 is a rear view of the invention illustrated in FIG. 1; FIG. 4 is a right side view of the invention illustrated in FIG. 1; FIG. 5 is a left side view of the invention illustrated in FIG. 1; FIG. 6 is a top view of the invention illustrated in FIG. 1; and, FIG. 7 is a bottom view of the invention illustrated in FIG. 1.

1 Claim, 7 Drawing Sheets



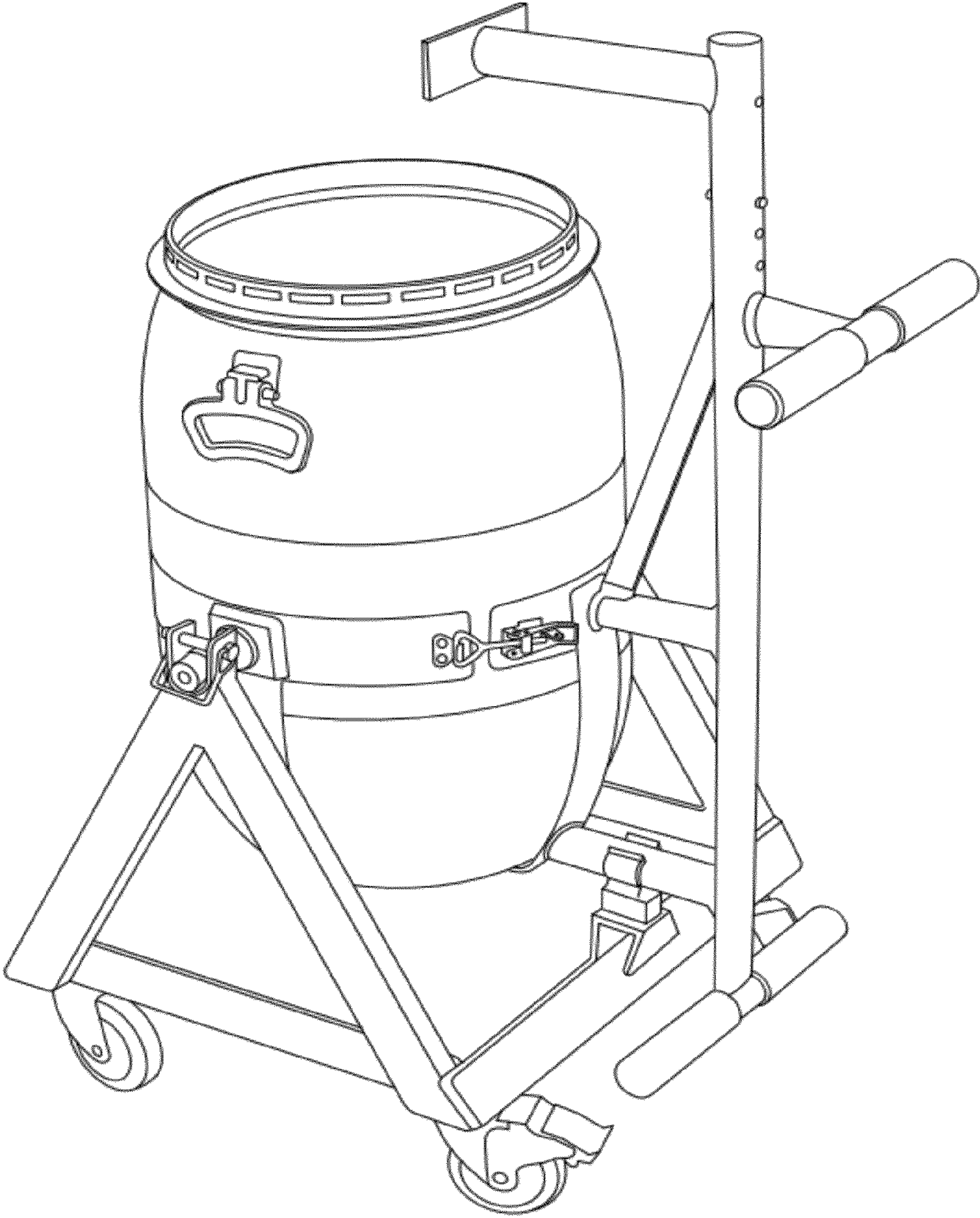


FIG. 1

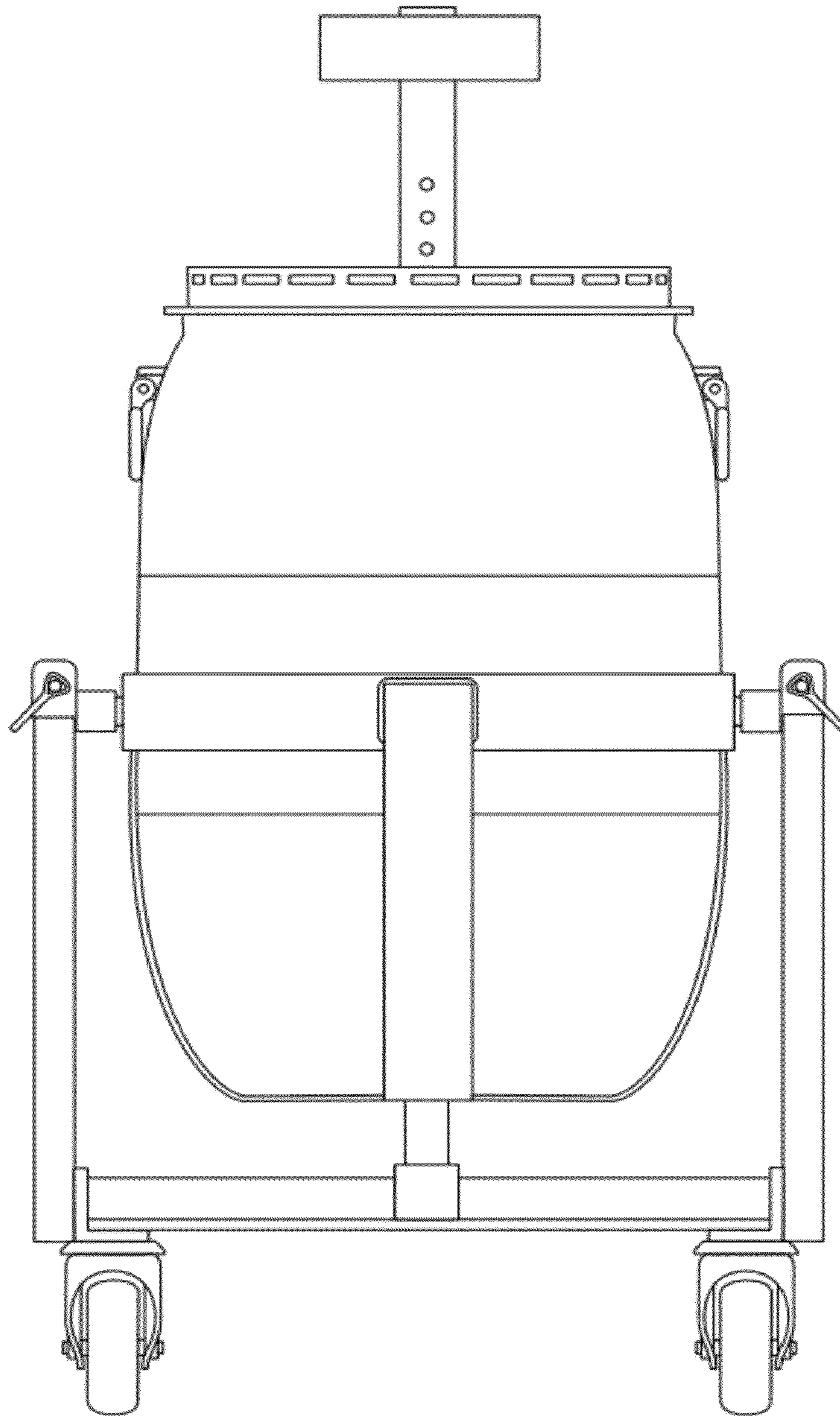


FIG. 2

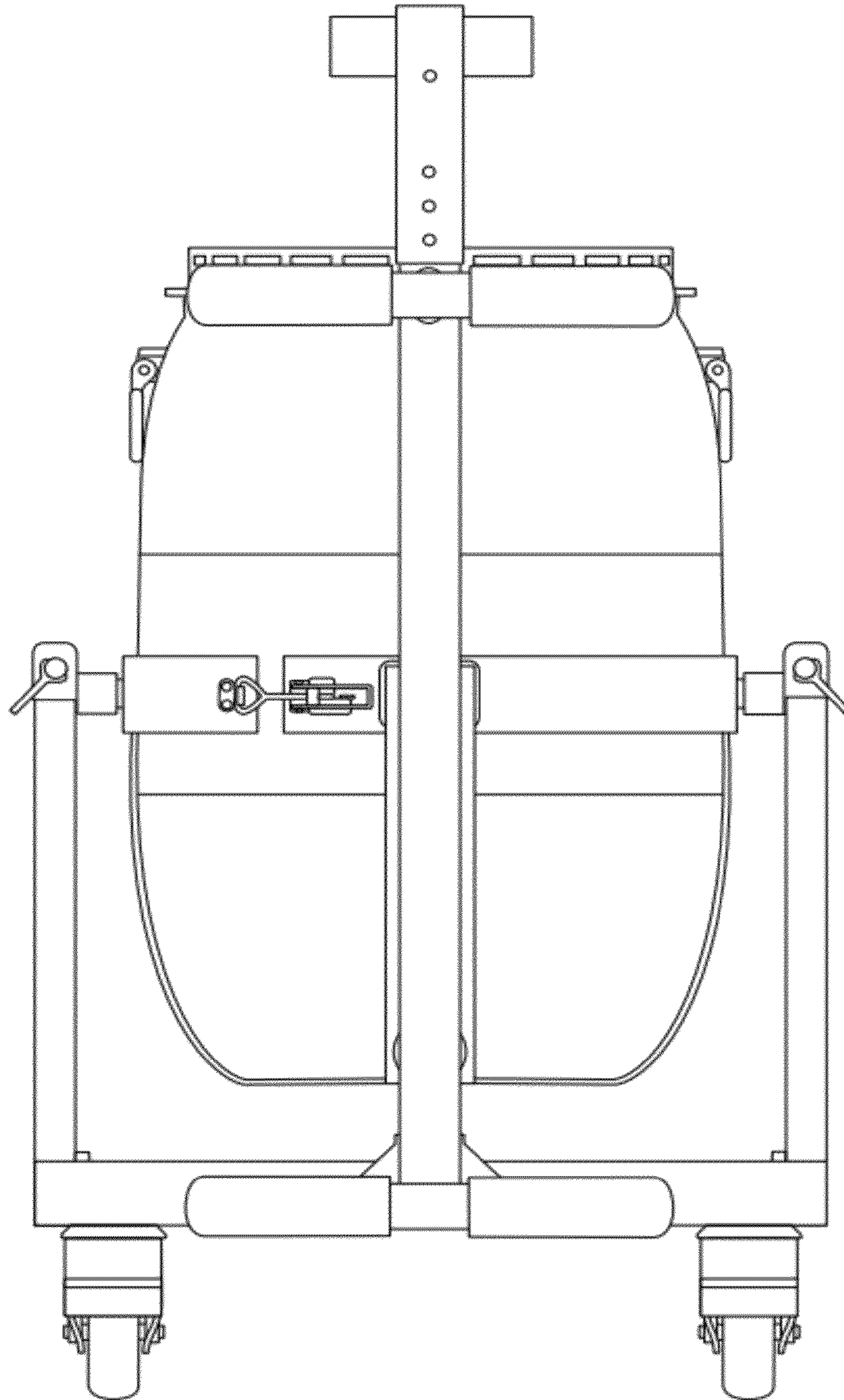


FIG. 3

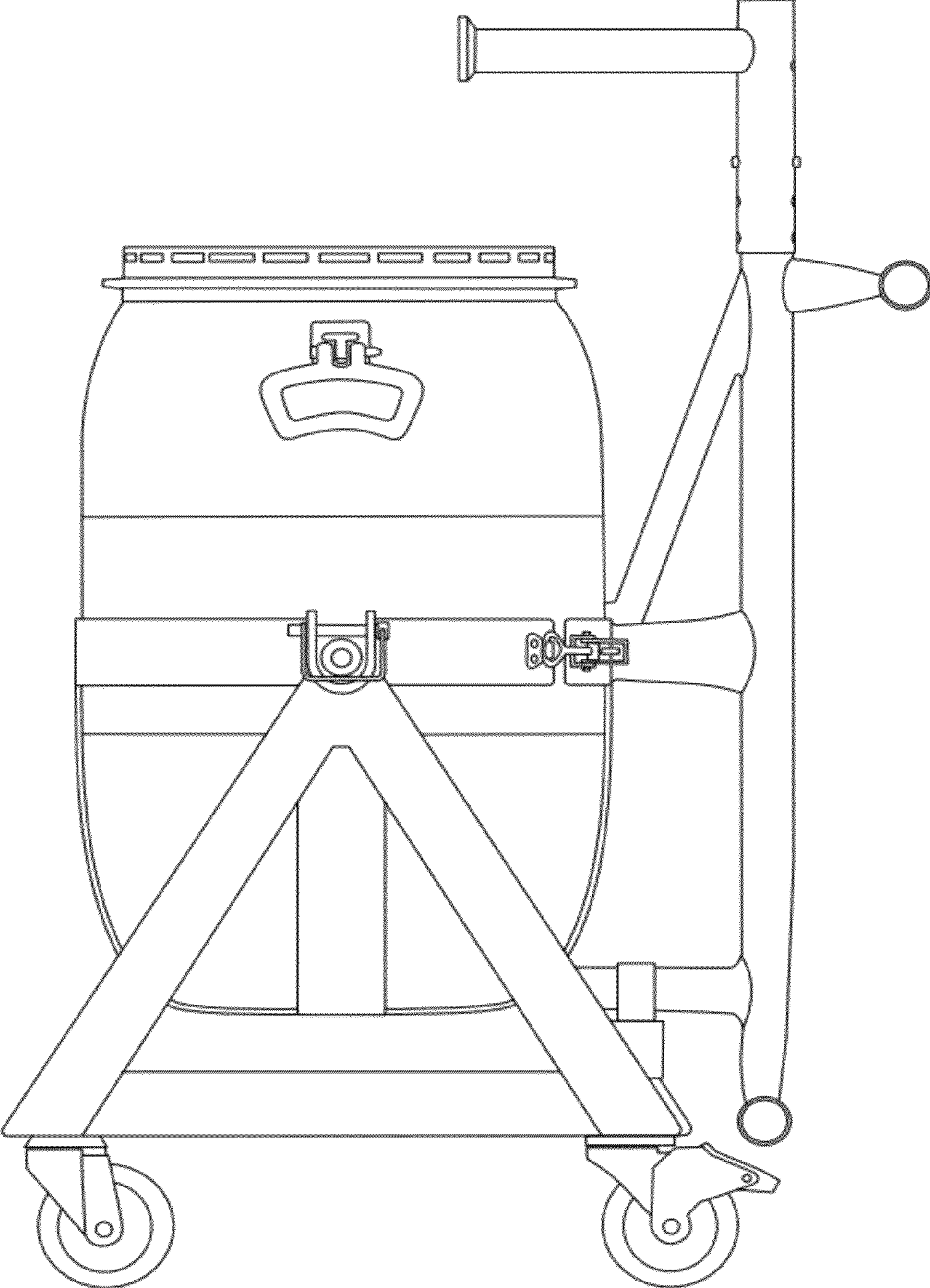


FIG. 4

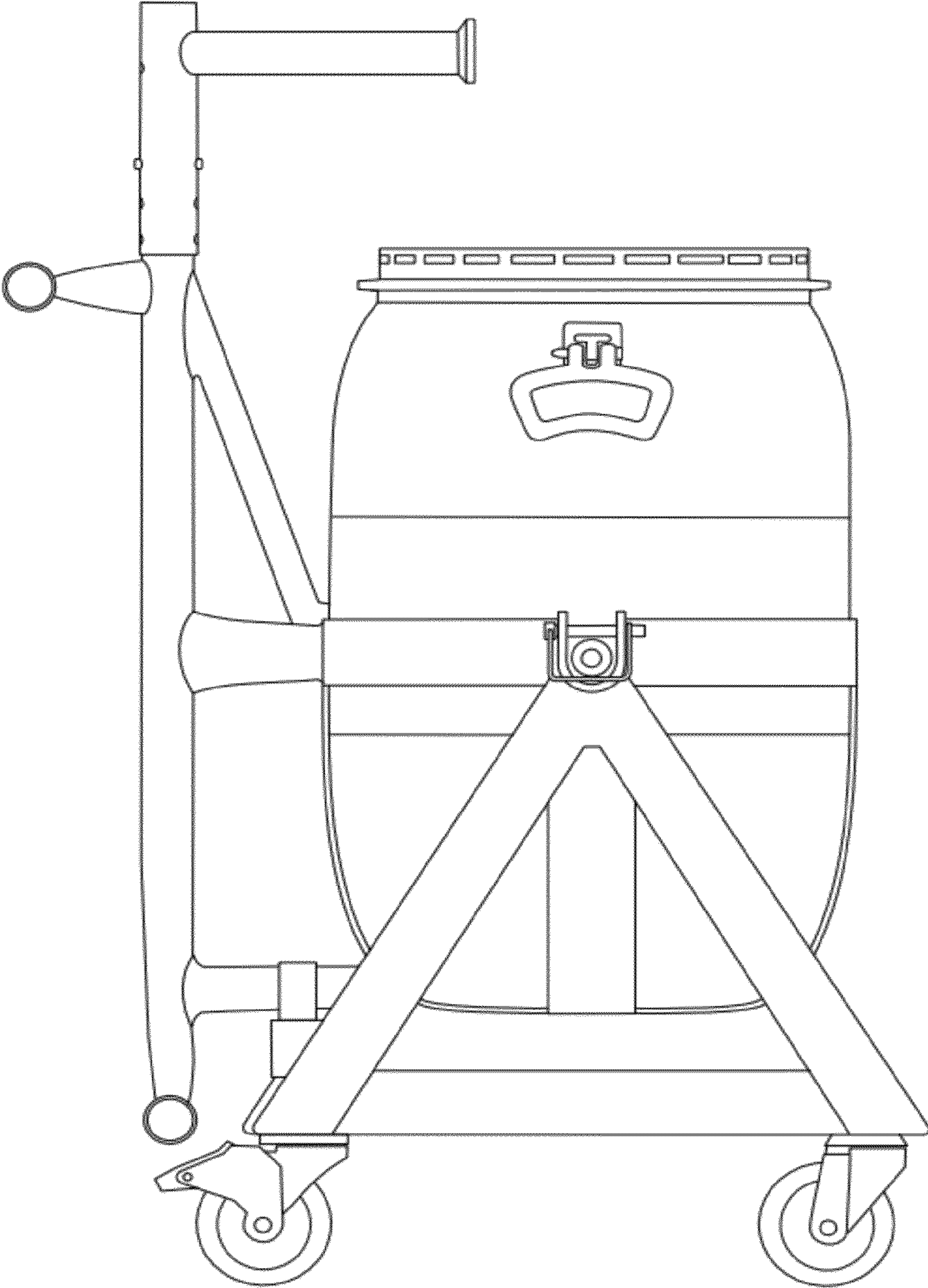


FIG. 5

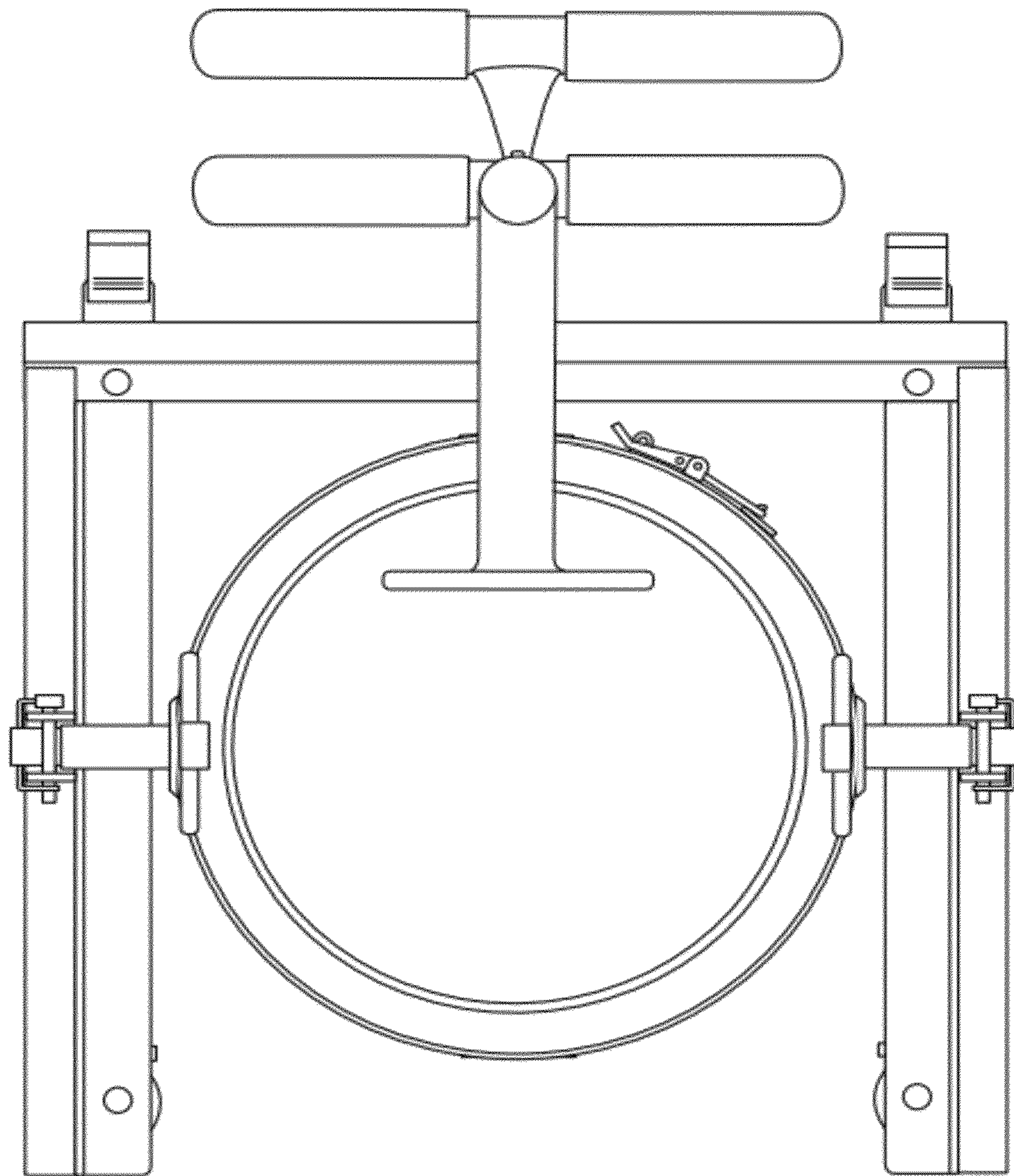


FIG. 6

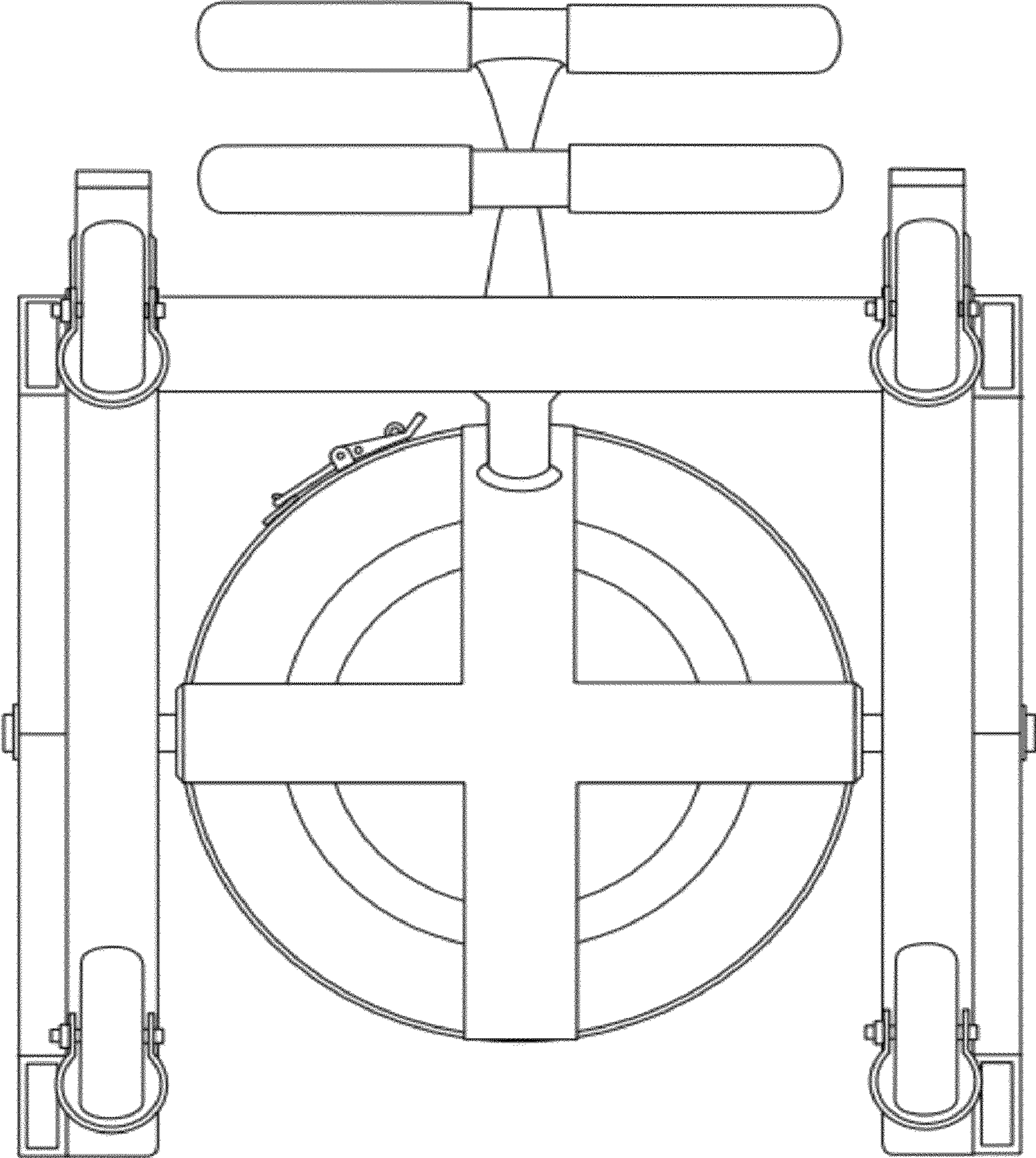


FIG. 7