



US00D672788S

(12) **United States Design Patent**  
**Chen**

(10) **Patent No.:** **US D672,788 S**

(45) **Date of Patent:** **\*\* Dec. 18, 2012**

(54) **AIR COMPRESSOR END CAP**

*Primary Examiner* — Ralf Seifert

(76) **Inventor:** **Chun Lan Chen**, Xingling (CN)

(74) *Attorney, Agent, or Firm* — Charles E. Baxley

(\*\*) **Term:** **14 Years**

(21) **Appl. No.:** **29/374,603**

(57) **CLAIM**

The ornamental design for an air compressor end cap, as shown and described.

(22) **Filed:** **Sep. 8, 2011**

(51) **LOC (9) Cl.** ..... **15-02**

(52) **U.S. Cl.** ..... **D15/9**

(58) **Field of Classification Search** ..... D15/7-9;  
D23/231, 232, 225; 417/60, 235, 265, 321,  
417/355, 358, 363, 359, 410.1, 415-416,  
417/405, 900; 60/408, 412; 184/26-37;  
415/140-147; 123/495, 509

See application file for complete search history.

**DESCRIPTION**

FIG. 1 is a front perspective view of an air compressor end cap showing my new design;

FIG. 2 is a front elevational view thereof, the element depicted by means of broken lines being for illustrative purposes only and forming no part of the claimed design;

FIG. 3 is a rear elevational view thereof;

FIG. 4 is a top plan view thereof;

FIG. 5 is a bottom plan view thereof;

FIG. 6 is a left side elevational view thereof;

FIG. 7 is a right side elevational view thereof;

FIG. 8 is a rear perspective view thereof;

FIG. 9 is a front perspective view thereof, the protruded ribs and bulges depicted by means of broken lines being for illustrative purposes only and forming no part of the claimed design; and,

FIG. 10 is a front elevational view thereof, the protruded ribs and bulges depicted by means of broken lines being for illustrative purposes only and forming no part of the claimed design.

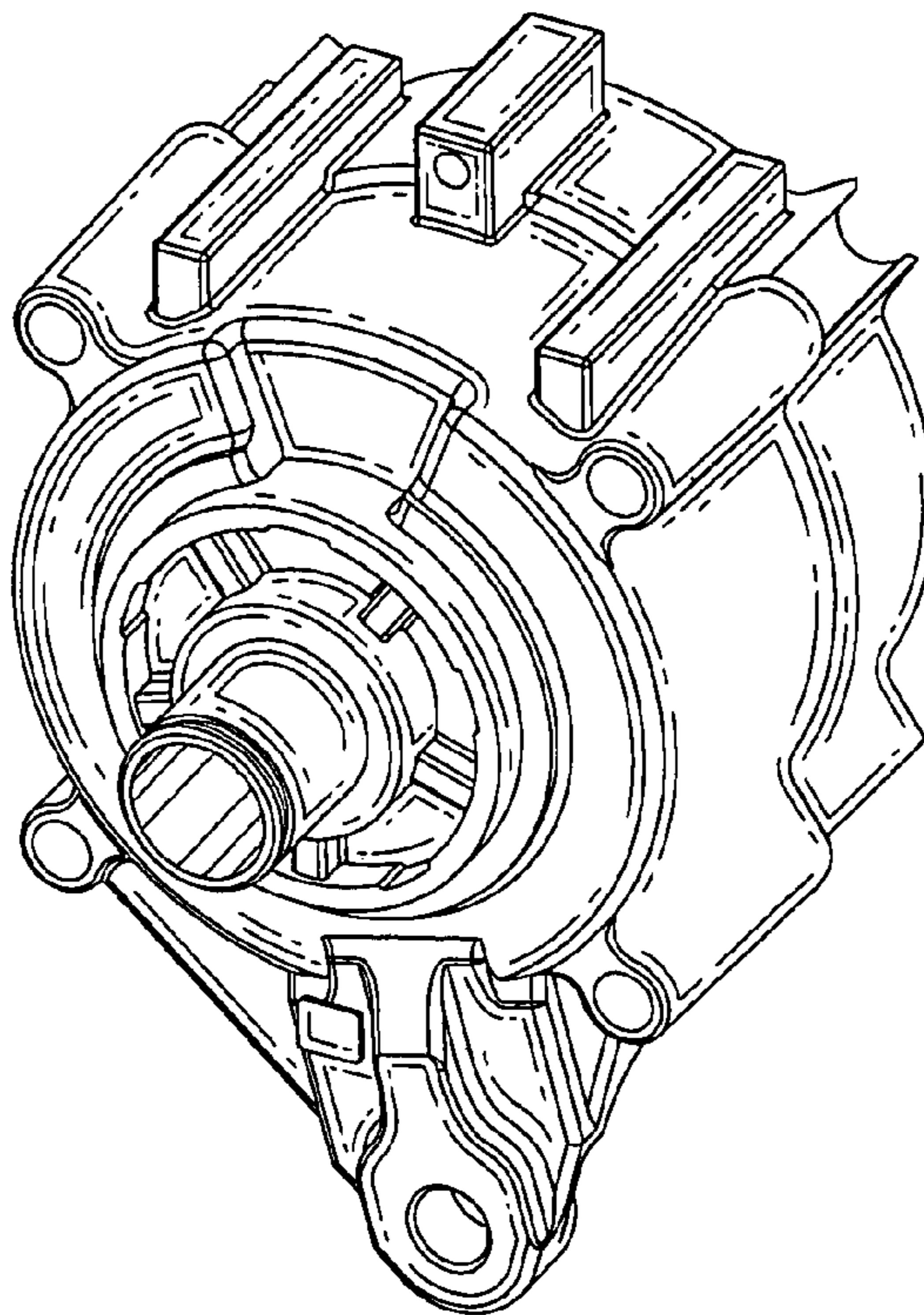
(56) **References Cited**

**U.S. PATENT DOCUMENTS**

D381,993	S	*	8/1997	Takenaka et al.	.....	D15/9
D429,738	S	*	8/2000	Kayukawa et al.	.....	D15/9
D435,856	S	*	1/2001	Kato	.....	D15/9
D441,377	S	*	5/2001	Kawaguchi et al.	.....	D15/9
D441,378	S	*	5/2001	Kou	.....	D15/9
D452,254	S	*	12/2001	Kawaguchi et al.	.....	D15/9
D460,460	S	*	7/2002	Kayukawa et al.	.....	D15/9
D462,364	S	*	9/2002	Fujita et al.	.....	D15/9
D466,526	S	*	12/2002	Fujii et al.	.....	D15/9
D537,452	S	*	2/2007	Chu	.....	D15/9
D537,843	S	*	3/2007	Chu	.....	D15/9
D538,301	S	*	3/2007	Chu	.....	D15/9
D540,823	S	*	4/2007	An	.....	D15/9

\* cited by examiner

**1 Claim, 5 Drawing Sheets**



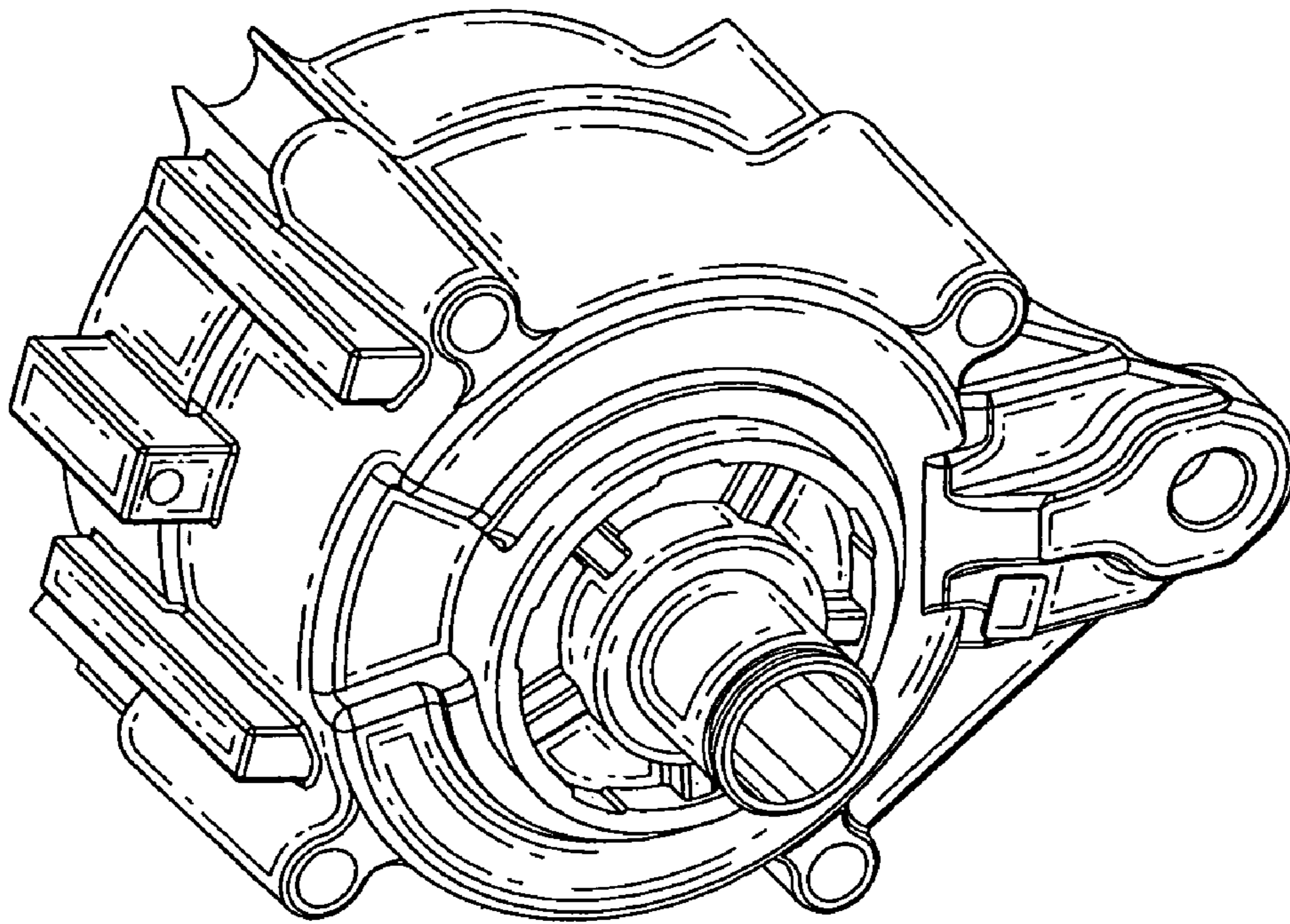


FIG. 8

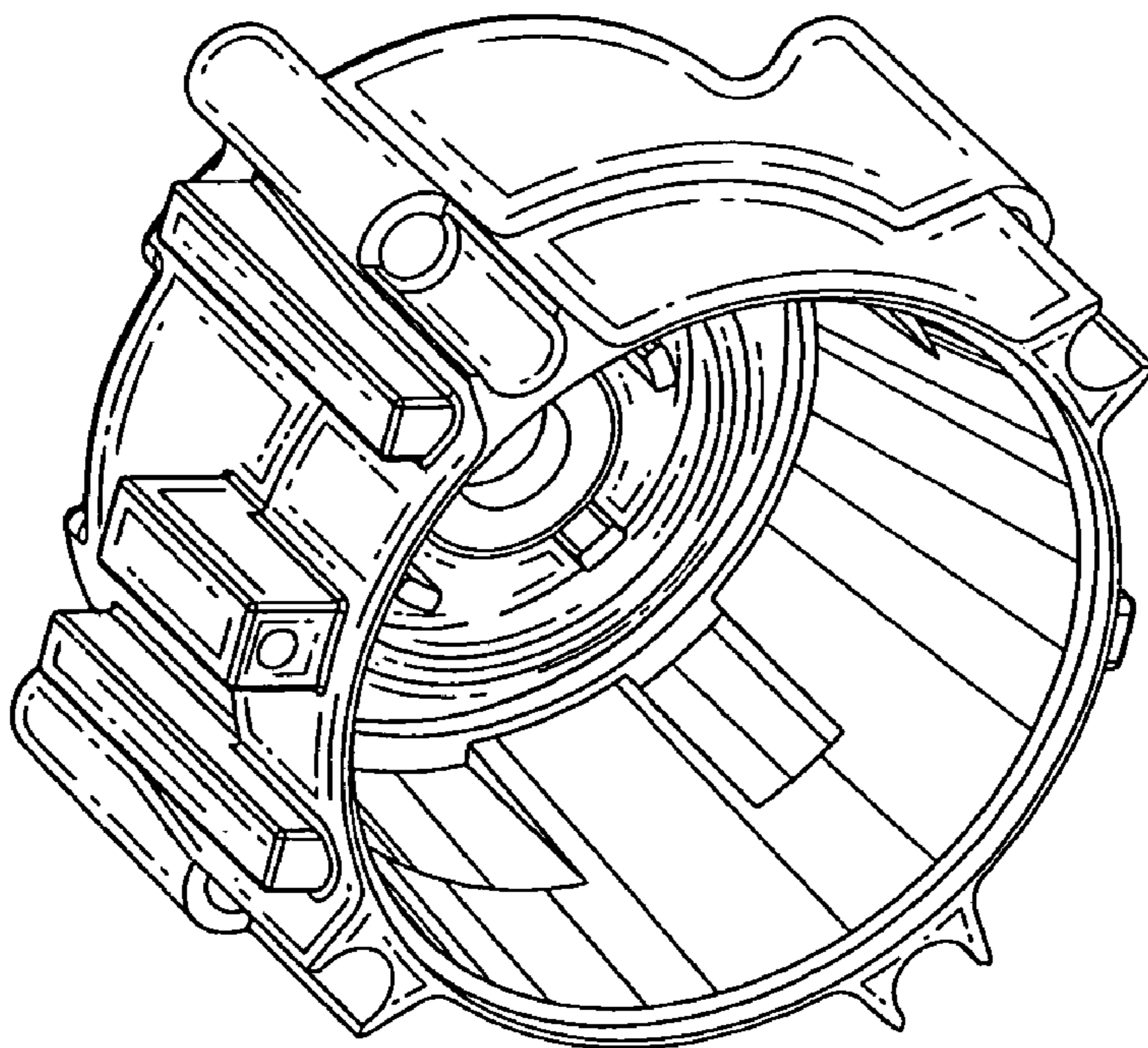


FIG. 1

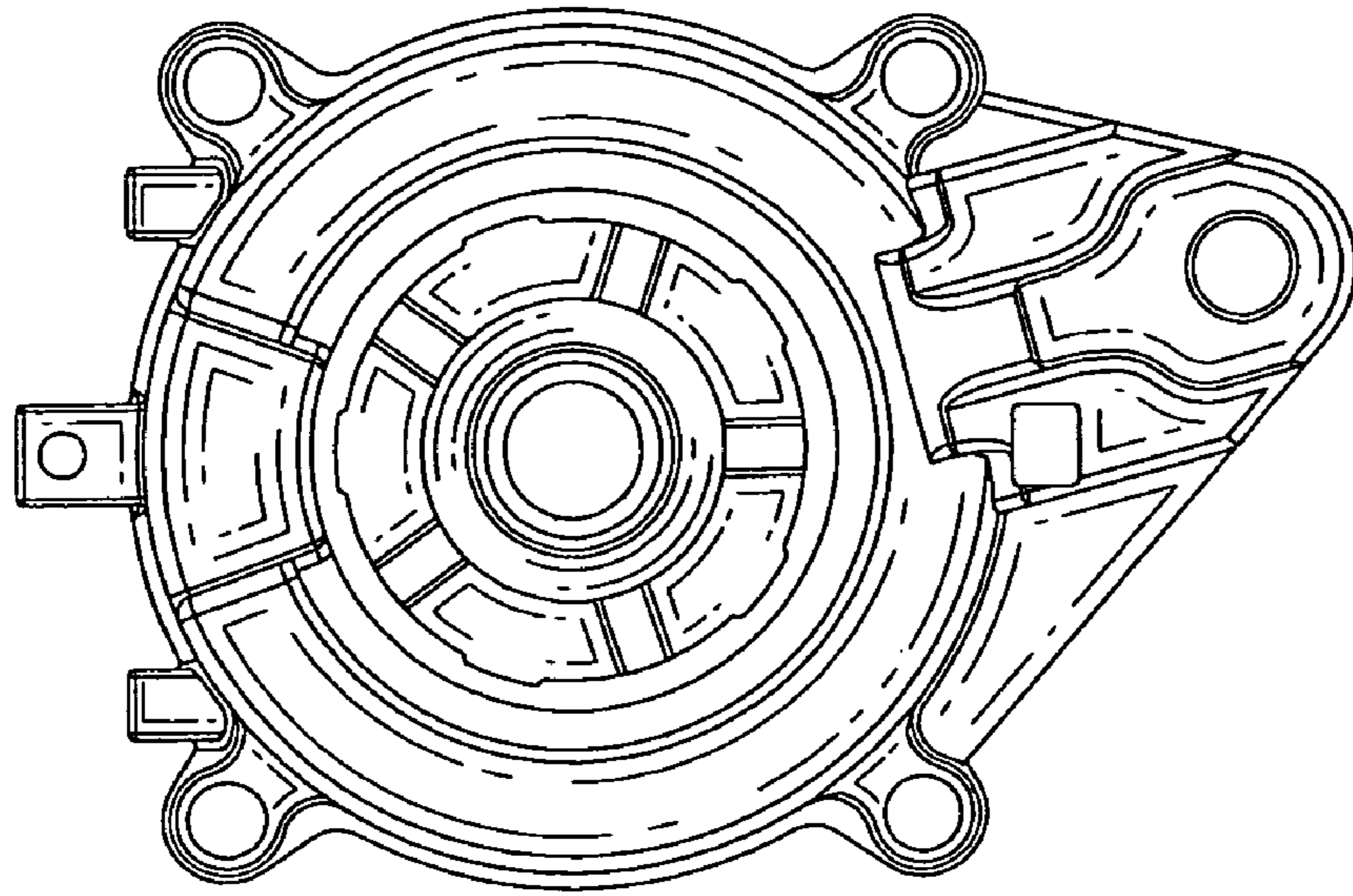


FIG. 3

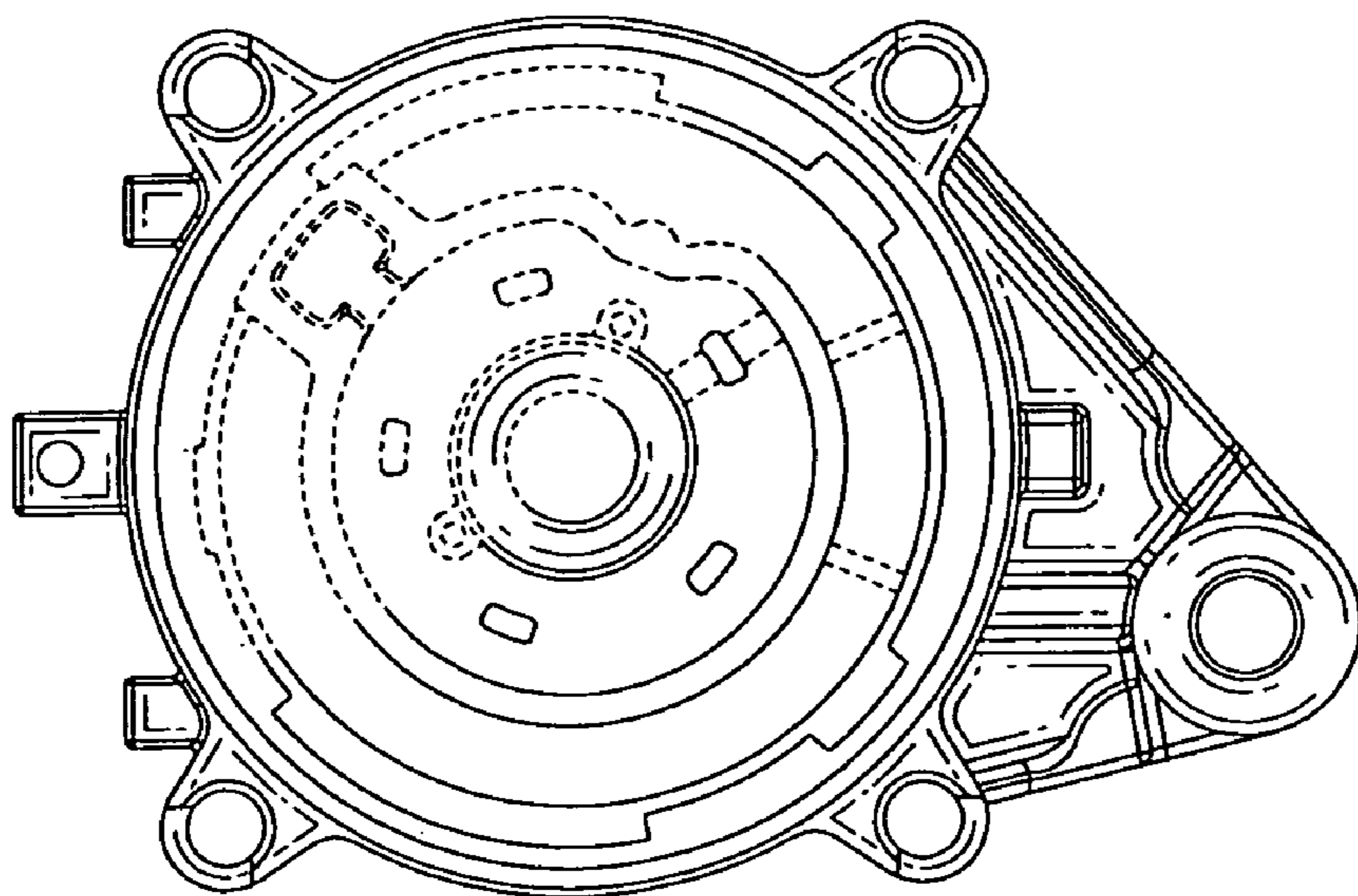


FIG. 2

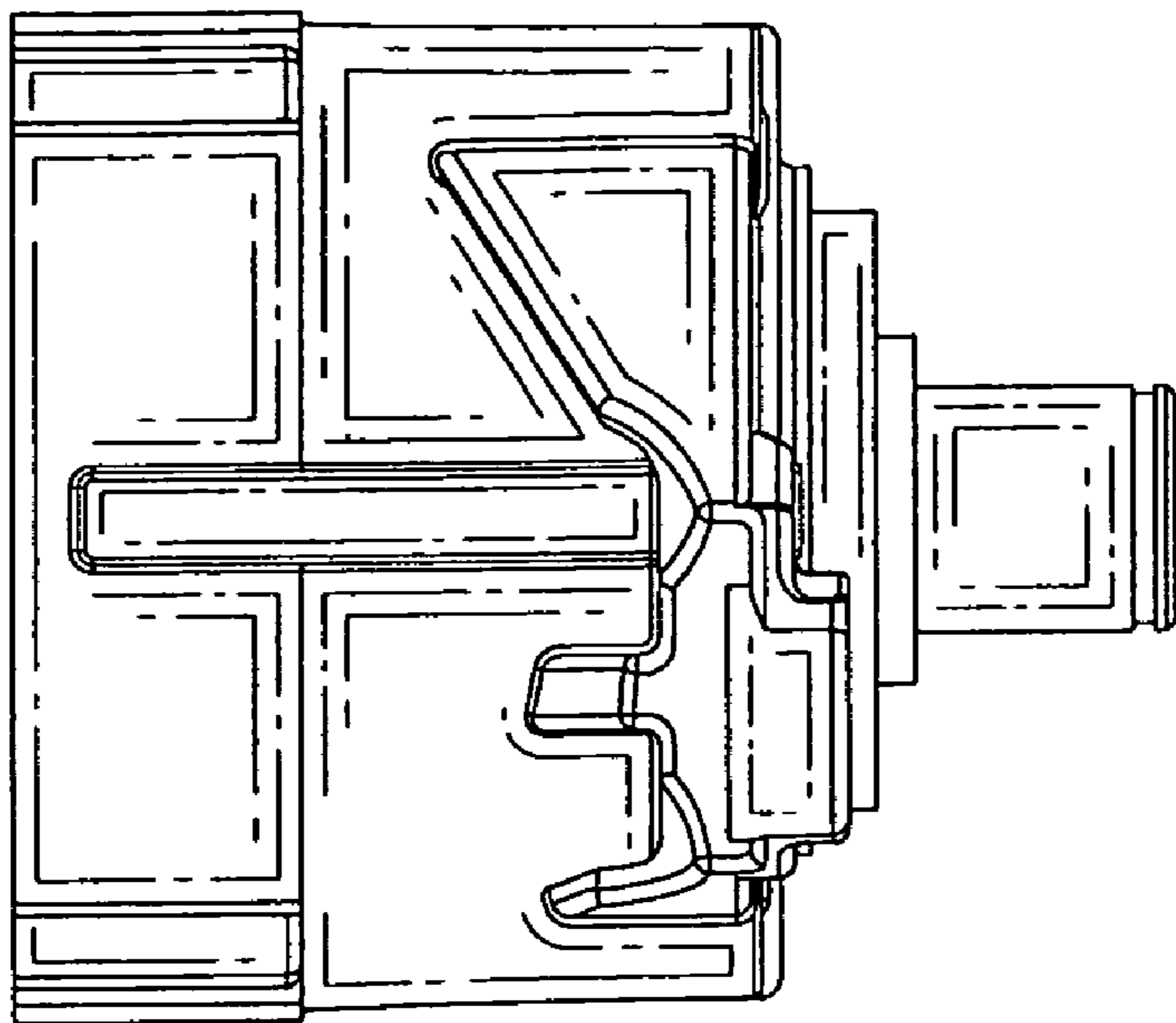


FIG. 4

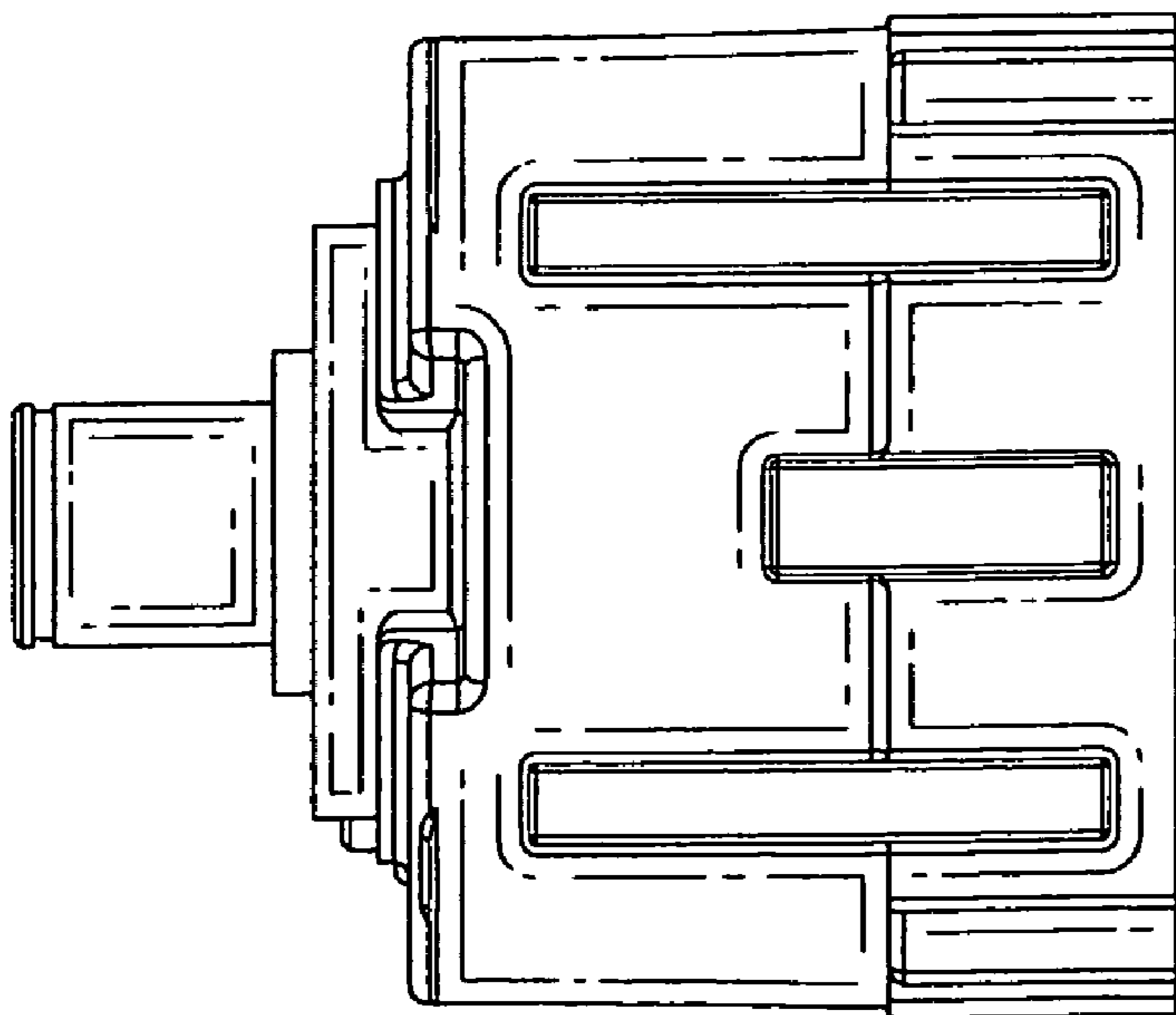


FIG. 5

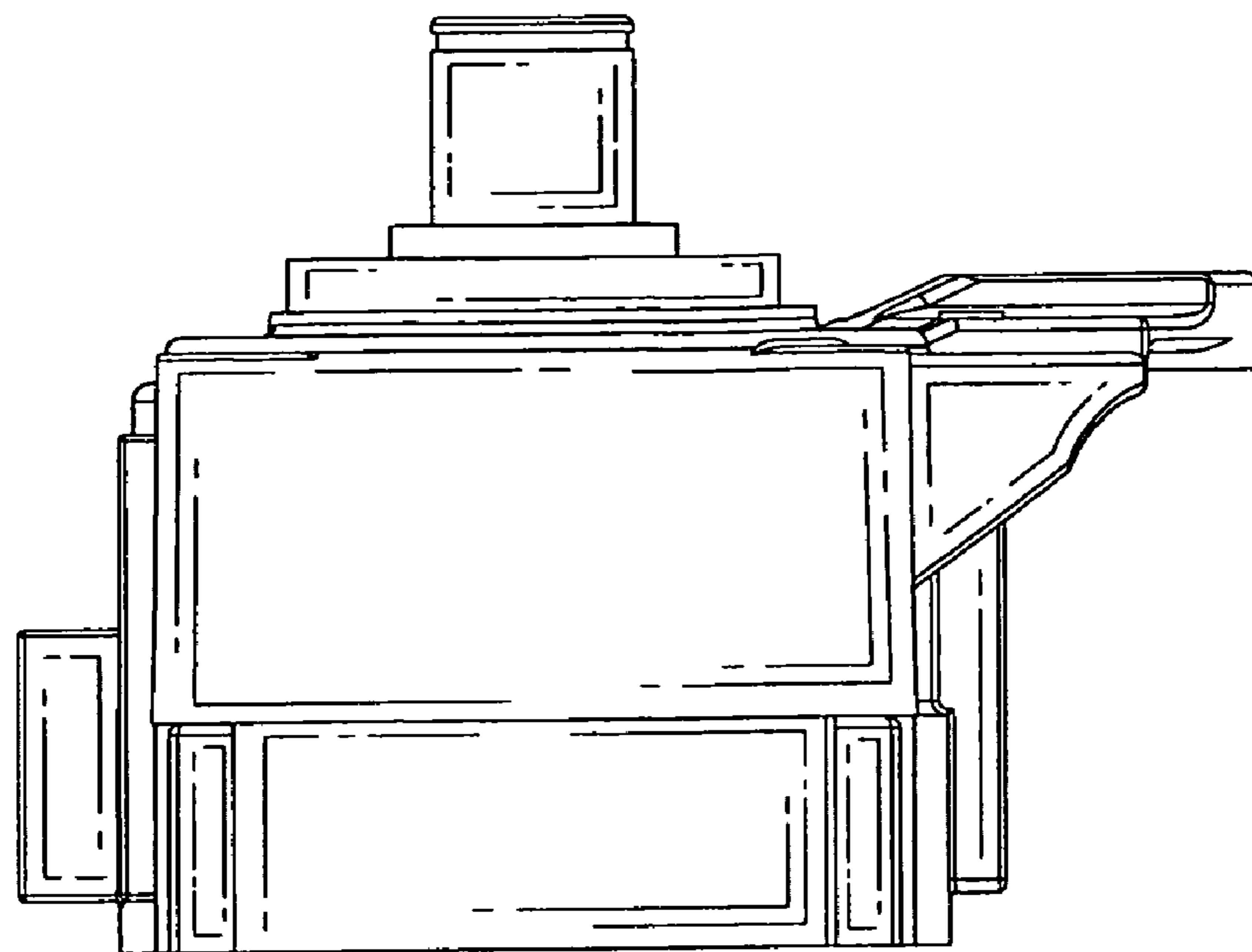


FIG. 7

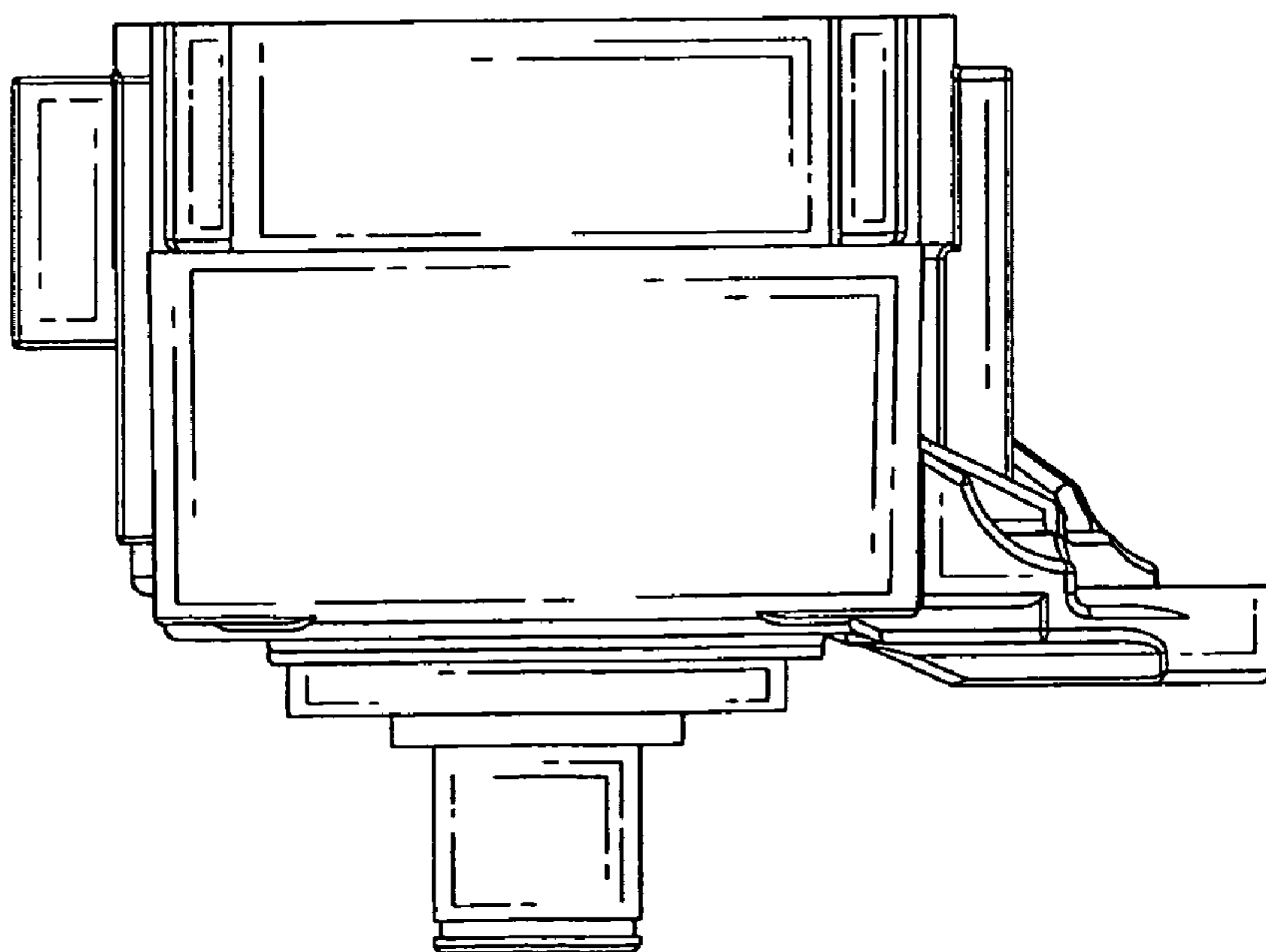


FIG. 6

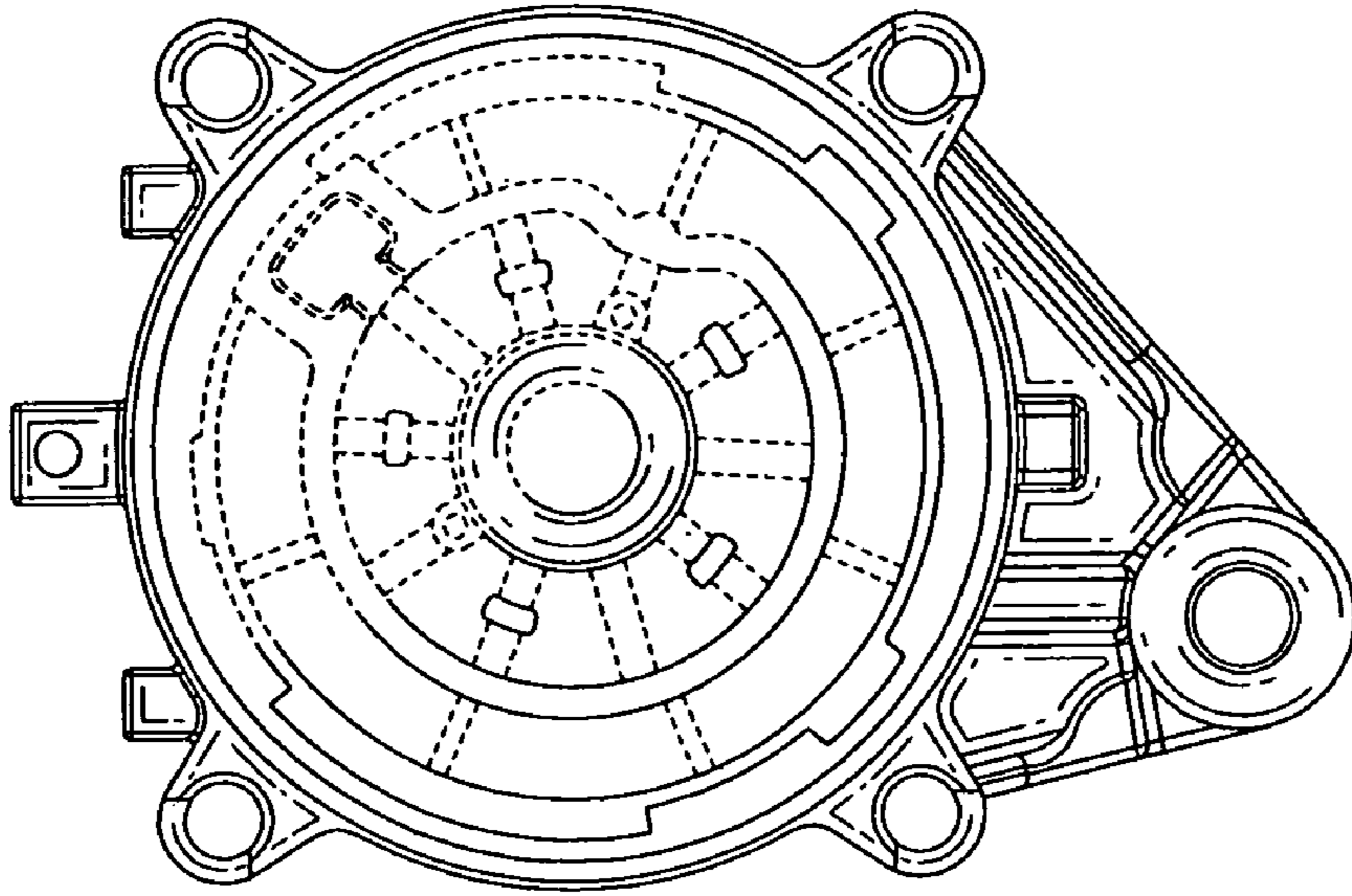


FIG. 10

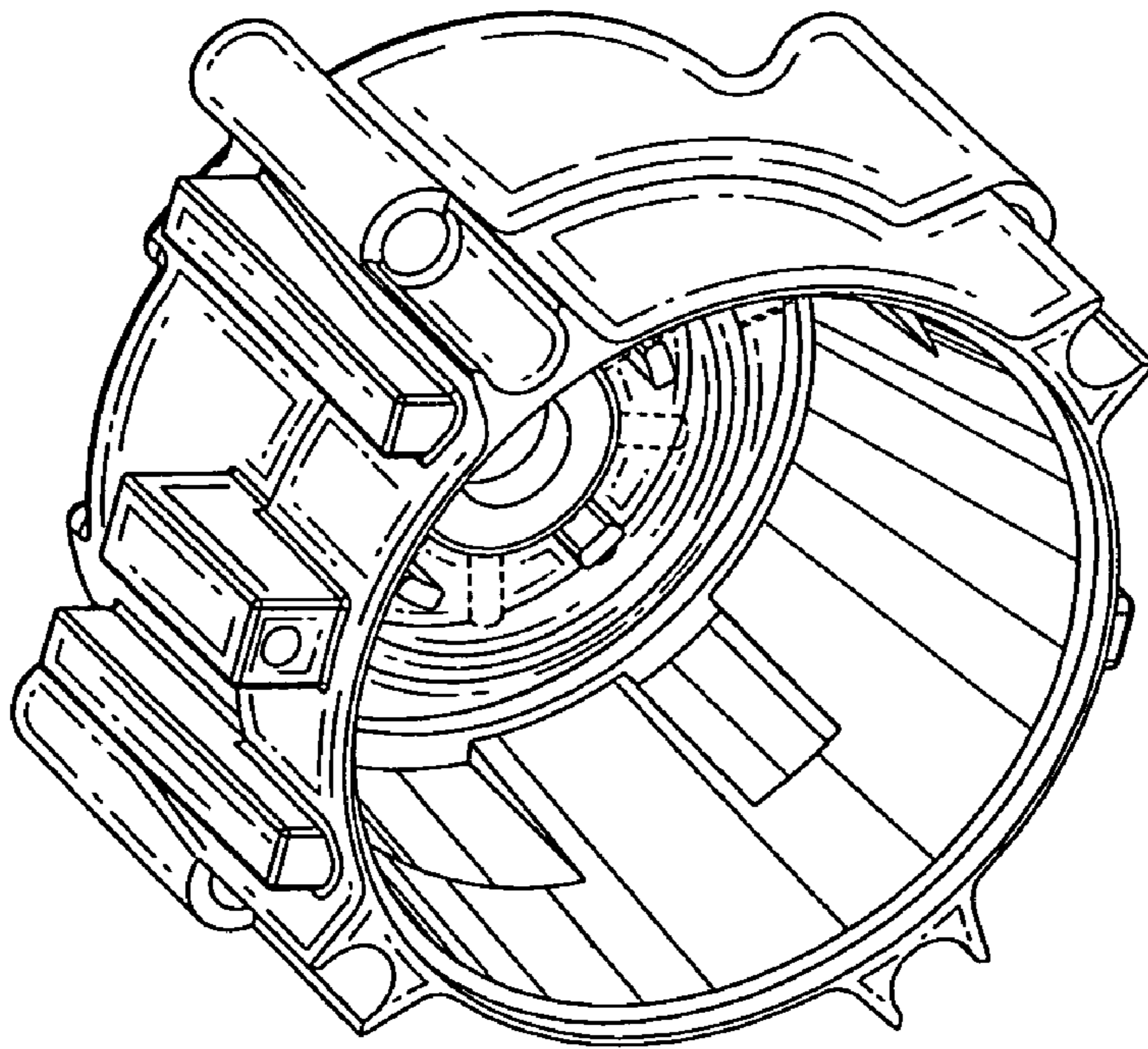


FIG. 9