



US00D672787S

(12) **United States Design Patent**  
**Soderstrom**

(10) **Patent No.:** **US D672,787 S**

(45) **Date of Patent:** **\*\* Dec. 18, 2012**

(54) **PUMP AND FLANGE COMBINATION**

*Primary Examiner* — Ralf Seifert

(76) Inventor: **Harry Soderstrom**, Marietta, GA (US)

(74) *Attorney, Agent, or Firm* — Stephen J. Stark

(\*\*) Term: **14 Years**

(57) **CLAIM**

(21) Appl. No.: **29/409,944**

The ornamental design for a pump and flange combination, as is shown and described herein.

(22) Filed: **Dec. 30, 2011**

(51) **LOC (9) Cl.** ..... **15-02**

(52) **U.S. Cl.** ..... **D15/7**

(58) **Field of Classification Search** ..... D15/7-9;  
D23/231, 232, 225; 417/60, 235, 265, 321,  
417/355, 358, 363, 359, 410.1, 415-416,  
417/405, 900; 60/408, 412; 184/26-37;  
415/140-147; 123/495, 509

See application file for complete search history.

**DESCRIPTION**

(56) **References Cited**

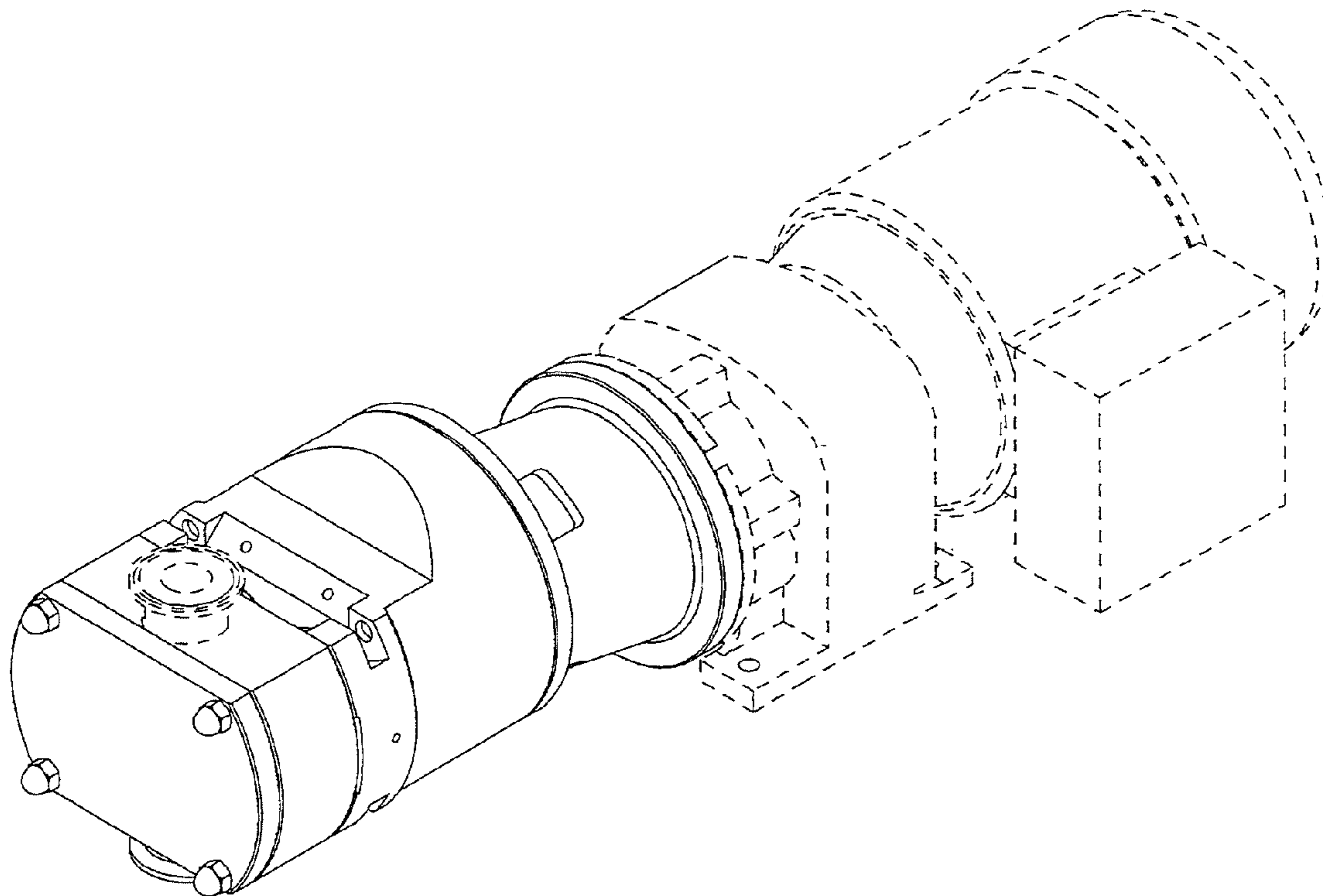
**U.S. PATENT DOCUMENTS**

D384,674 S	*	10/1997	Grolle et al.	.....	D15/7
D609,595 S	*	2/2010	Soderstrom	.....	D15/7
D649,561 S	*	11/2011	Bauck et al.	.....	D15/7

\* cited by examiner

FIG. 1 is a perspective view of the pump and flange combination;  
 FIG. 2 is a right side elevational view thereof, the left side being a mirror image thereof;  
 FIG. 3 is a top elevational view thereof;  
 FIG. 4 is a bottom elevational view thereof;  
 FIG. 5 is a front elevational view thereof; and,  
 FIG. 6 is a rear elevational view thereof.  
 A motor and gearing is shown in phantom for environmental use.  
 The broken lines in FIG. 5 are included for the purpose of illustrating portions of the pump and flange combination that form no part of the claimed design.

**1 Claim, 3 Drawing Sheets**



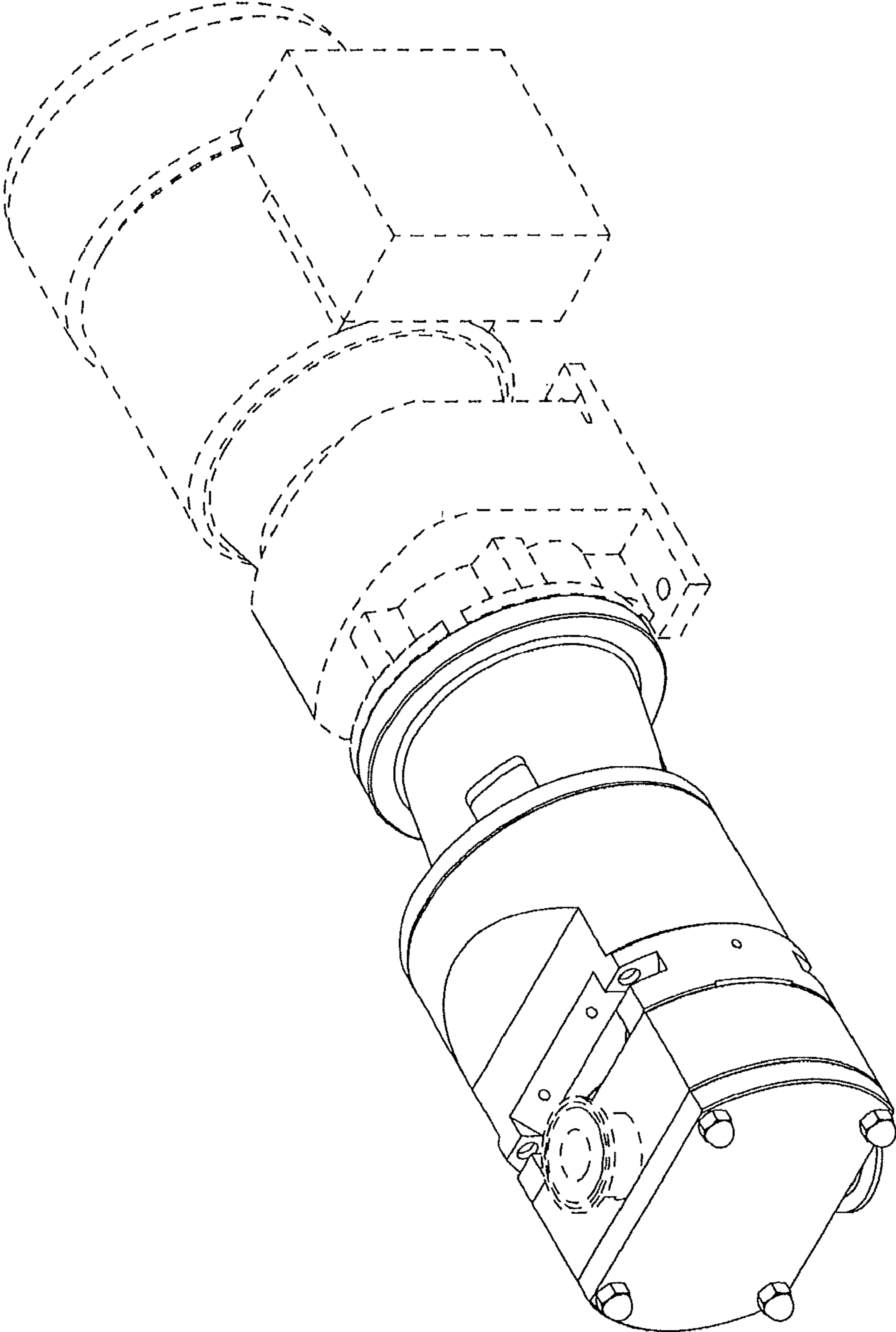


FIG. 1

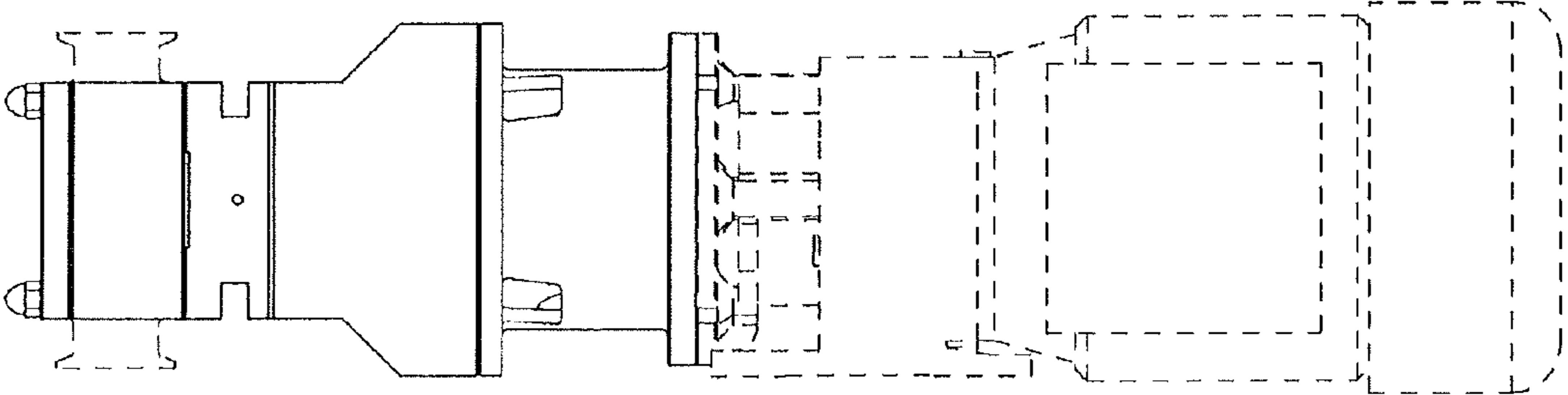


FIG. 2

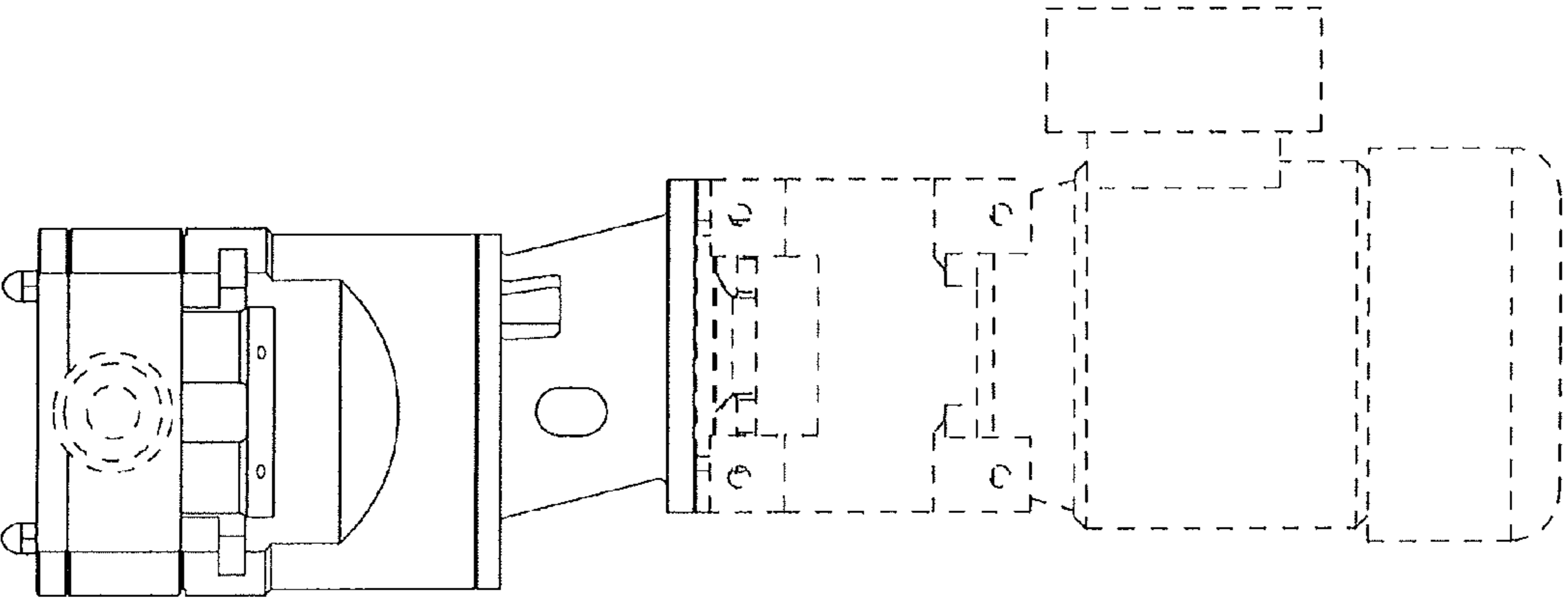


FIG. 3

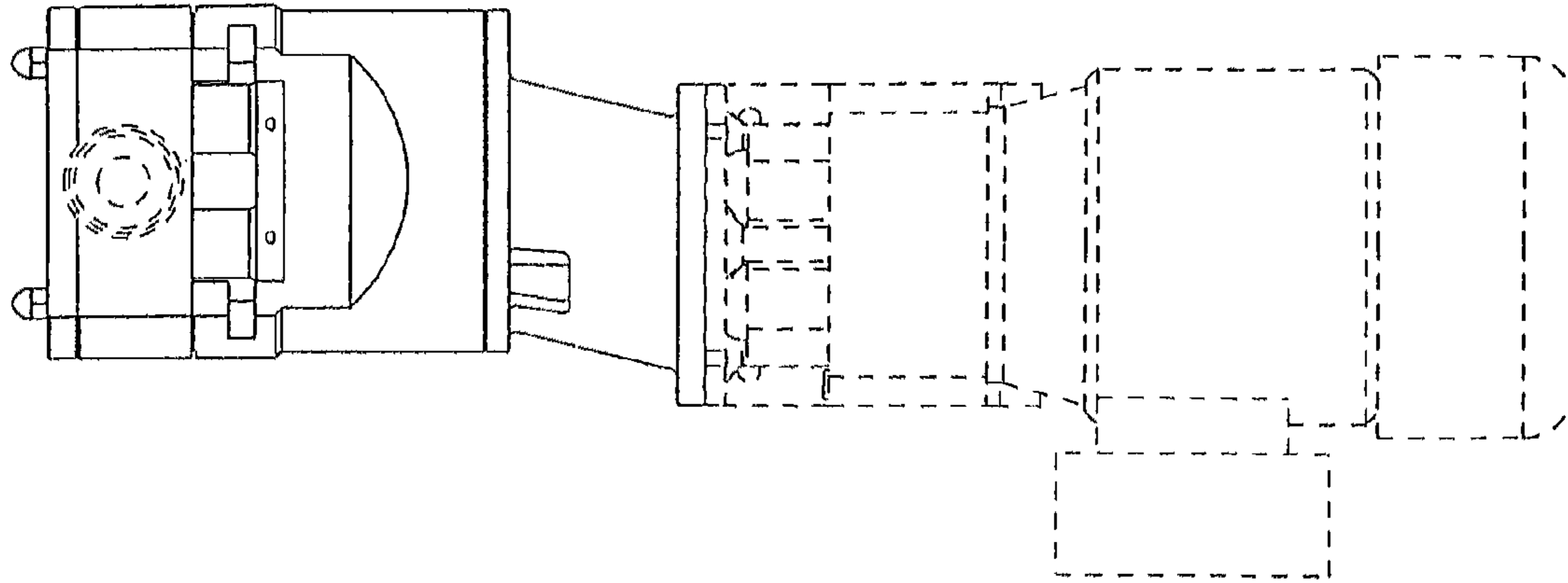


FIG. 4

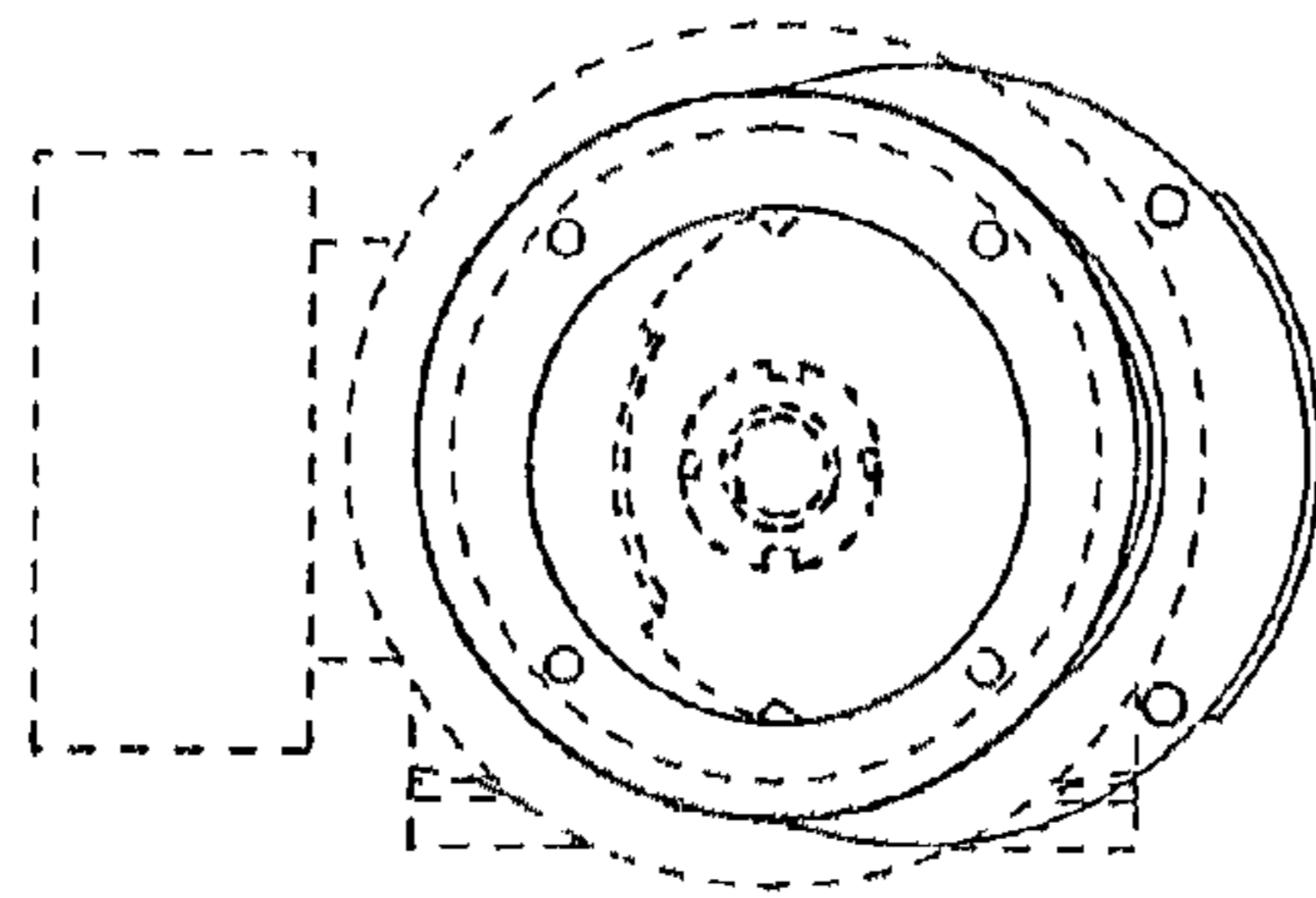


FIG. 5

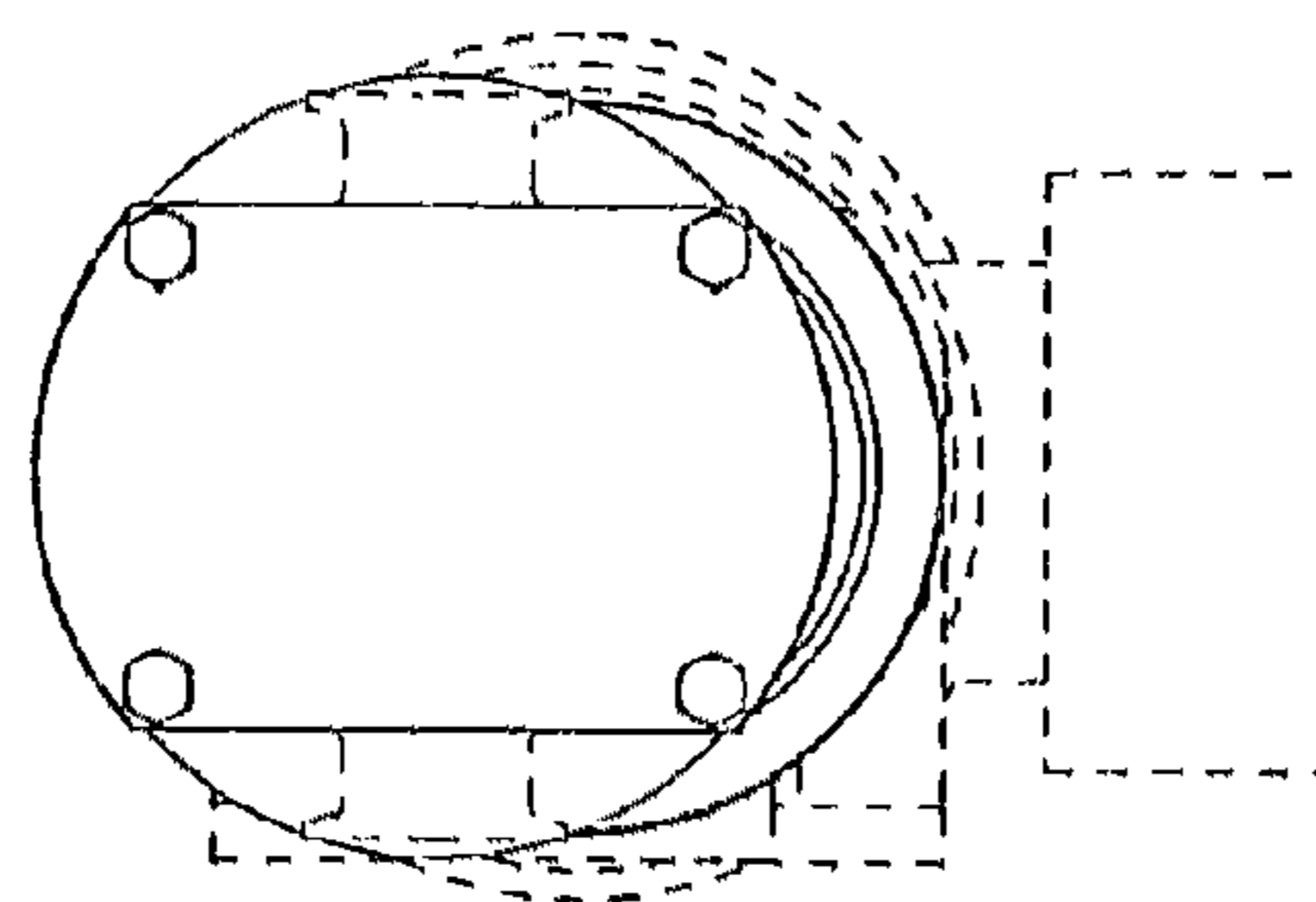


FIG. 6