



US00D672774S

(12) **United States Design Patent**  
**Nelson, Jr. et al.**

(10) **Patent No.:** **US D672,774 S**  
(45) **Date of Patent:** **\*\* Dec. 18, 2012**

(54) **CARD SLOT BEZEL**

(75) Inventors: **Donald S. Nelson, Jr.**, Akron, OH (US);  
**David N. Lewis**, Canal Fulton, OH (US);  
**Shawn Griggy**, North Canton, OH (US);  
**George Niemoeller**, Canal Fulton, OH (US)

(73) Assignee: **Diebold Self-Service Systems division of Diebold, Incorporated**, North Canton, OH (US)

(\*\*) Term: **14 Years**

(21) Appl. No.: **29/409,072**

(22) Filed: **Dec. 20, 2011**

(51) **LOC (9) Cl.** ..... **14-02**

(52) **U.S. Cl.** ..... **D14/385**

(58) **Field of Classification Search** ..... D24/232,  
D24/216, 186, 169, 107; D14/496, 432,  
D14/420, 385, 384, 383, 399; D13/108;  
D10/104.1, 106.95; 726/9; 422/82.01; 382/124;  
235/375, 379; D99/28

See application file for complete search history.

(56) **References Cited**

**U.S. PATENT DOCUMENTS**

D230,601	S	*	3/1974	Cross et al.	.....	D14/385
D234,699	S	*	4/1975	Conway et al.	.....	D14/385
D241,445	S	*	9/1976	Pycha	.....	D14/385
D248,233	S	*	6/1978	Dibenedetto	.....	D14/385
D260,259	S	*	8/1981	Crowley et al.	.....	D14/385
D375,953	S	*	11/1996	Smith et al.	.....	D14/146

D390,543	S	*	2/1998	Hower et al.	.....	D14/385
D477,321	S	*	7/2003	Baughman	.....	D14/385
D515,092	S	*	2/2006	Wilfong	.....	D14/385
D516,068	S	*	2/2006	Walter	.....	D14/383
D539,799	S	*	4/2007	Liang	.....	D14/385
D577,623	S	*	9/2008	Tal et al.	.....	D10/106.95
D580,438	S	*	11/2008	Kuchler	.....	D14/385
D602,225	S	*	10/2009	Lute et al.	.....	D99/28
D628,576	S	*	12/2010	Daniel	.....	D14/385
7,946,477	B1	*	5/2011	Ramachandran et al.	....	235/379

\* cited by examiner

*Primary Examiner* — Austin Murphy

(74) *Attorney, Agent, or Firm* — Christopher L. Parmelee; Ralph E. Jocke; Walker & Jocke

(57) **CLAIM**

The ornamental design for a card slot bezel, as shown and described.

**DESCRIPTION**

FIG. 1 is a top, front, right side perspective view showing our new design for a card slot bezel.

FIG. 2 is a top, front, left side perspective view thereof.

FIG. 3 is a front view thereof.

FIG. 4 is a left side view thereof.

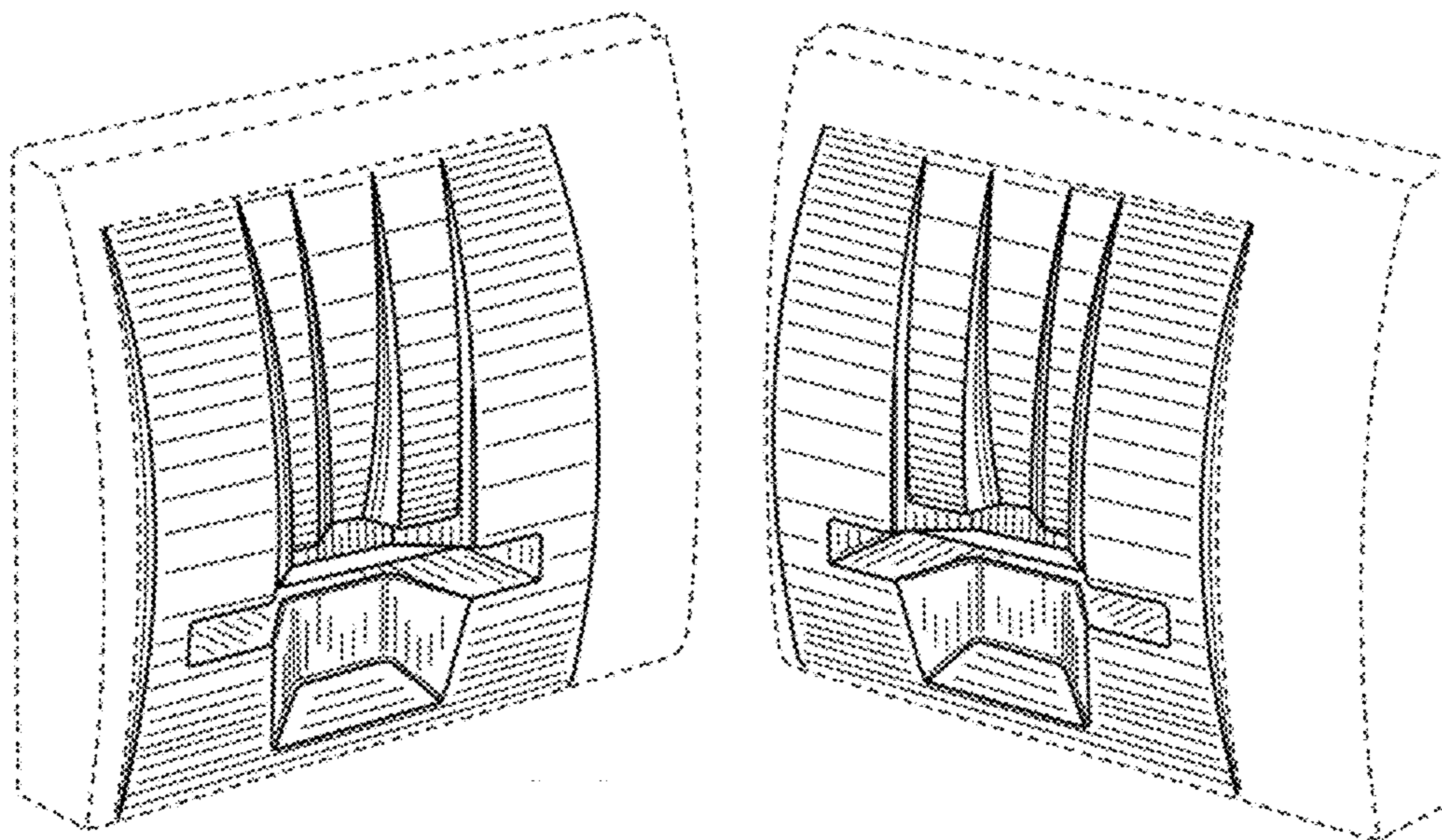
FIG. 5 is a right side view thereof.

FIG. 6 is a top view thereof; and,

FIG. 7 is a bottom thereof.

The broken lines adjacent the shaded areas represent the boundaries of the claimed design, while the other broken lines depict environmental subject matter only, and form no part of the claimed design. Also, the rear view forms no part of the claimed design.

**1 Claim, 3 Drawing Sheets**



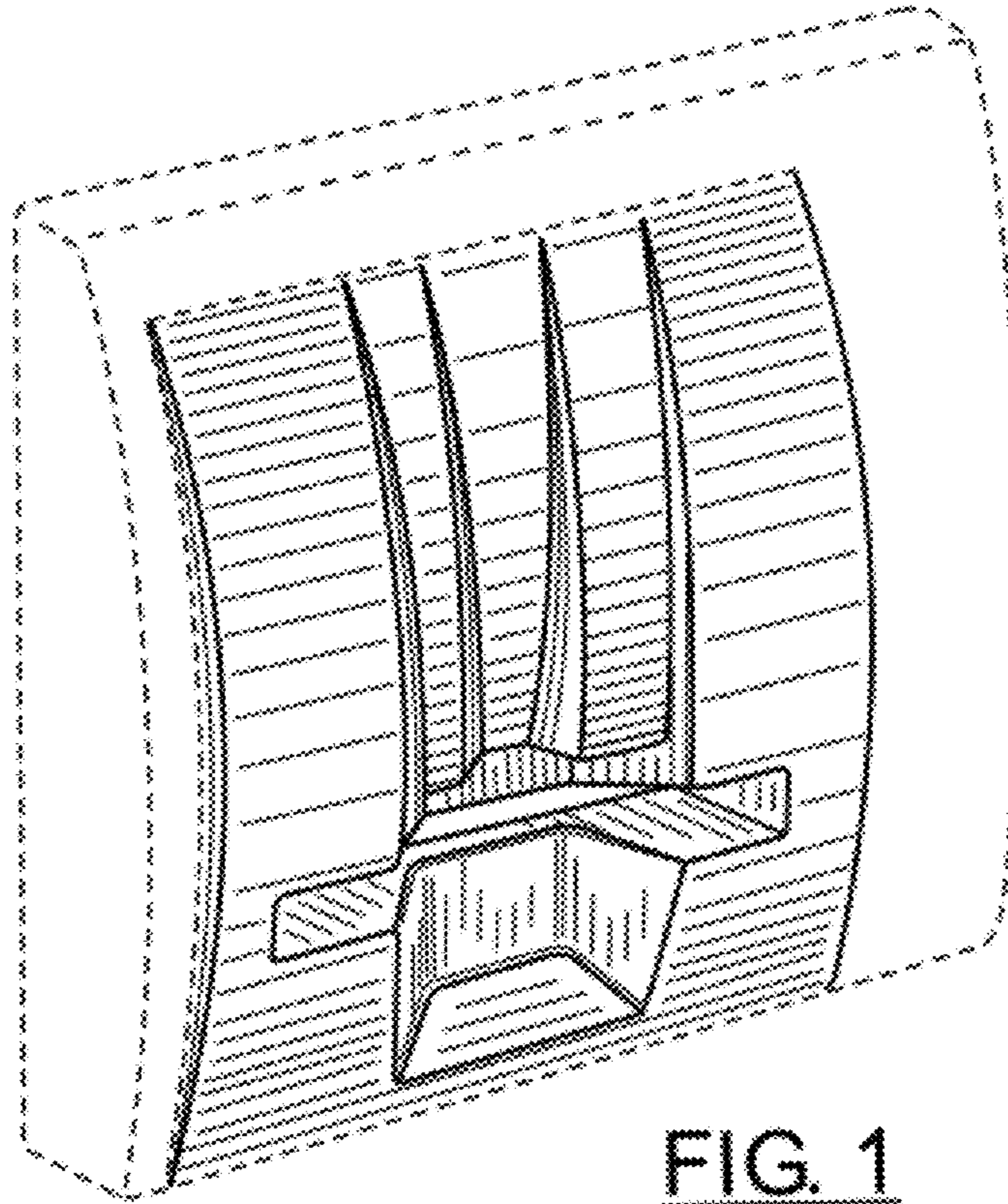


FIG. 1

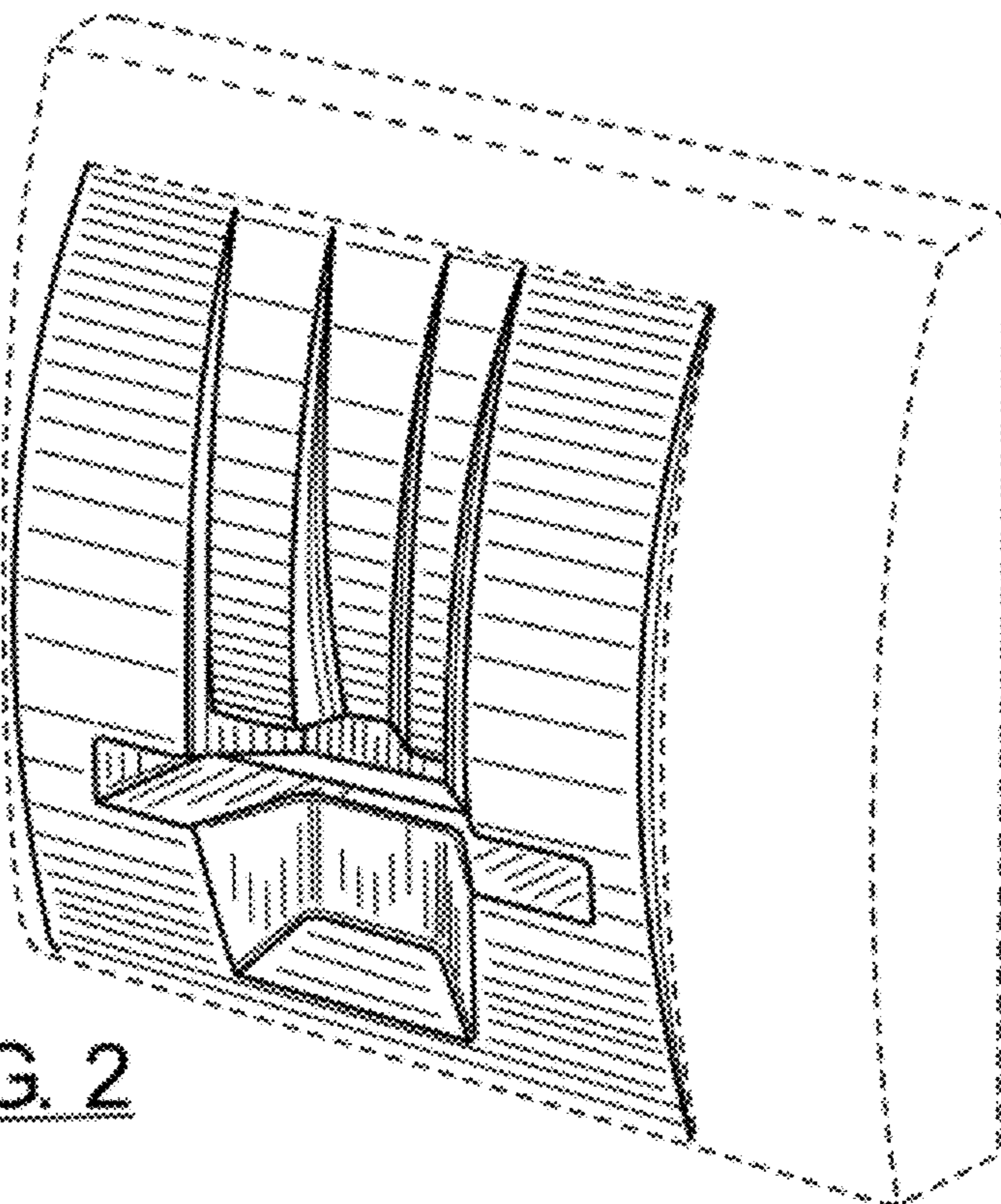


FIG. 2

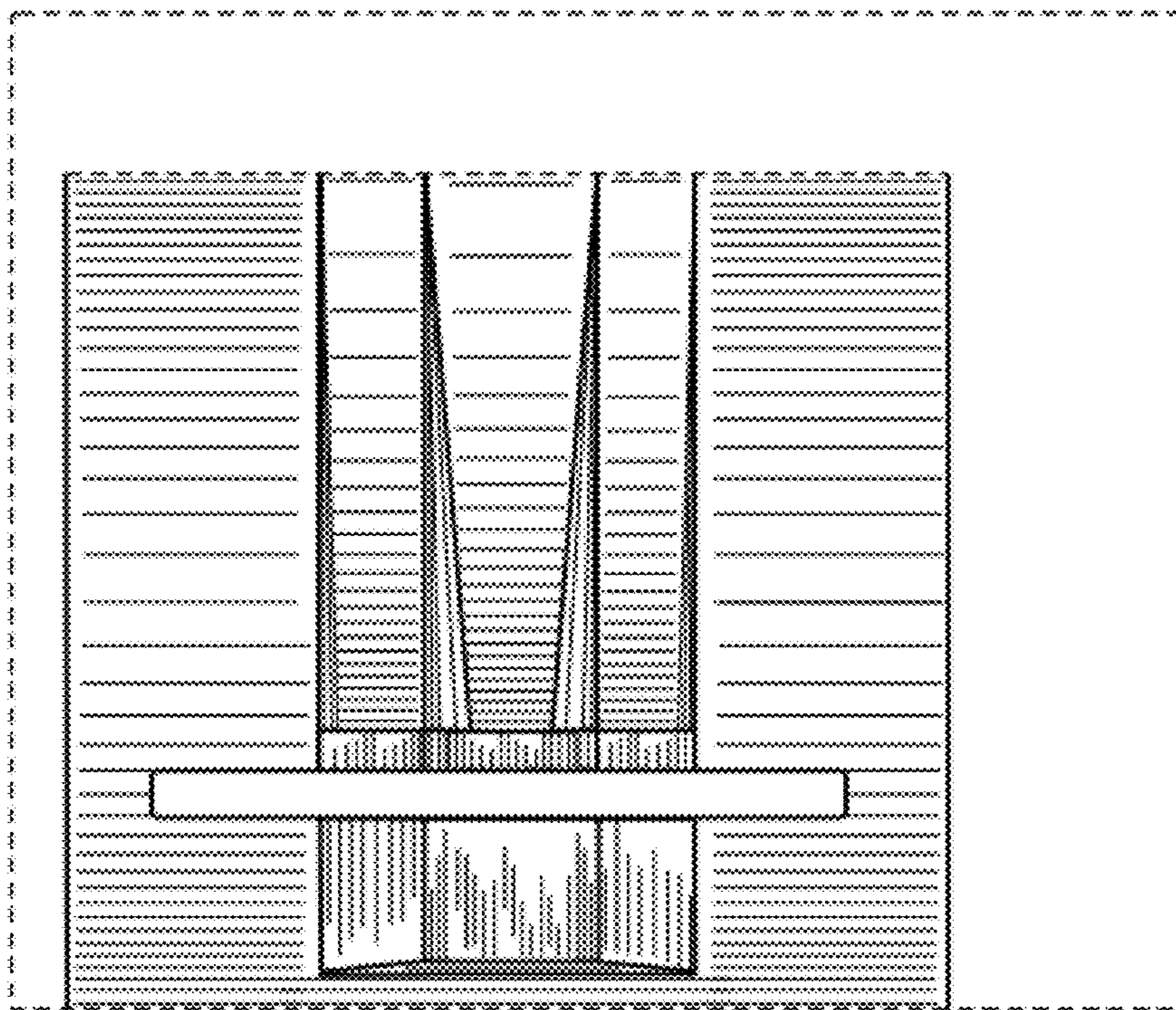


FIG. 3

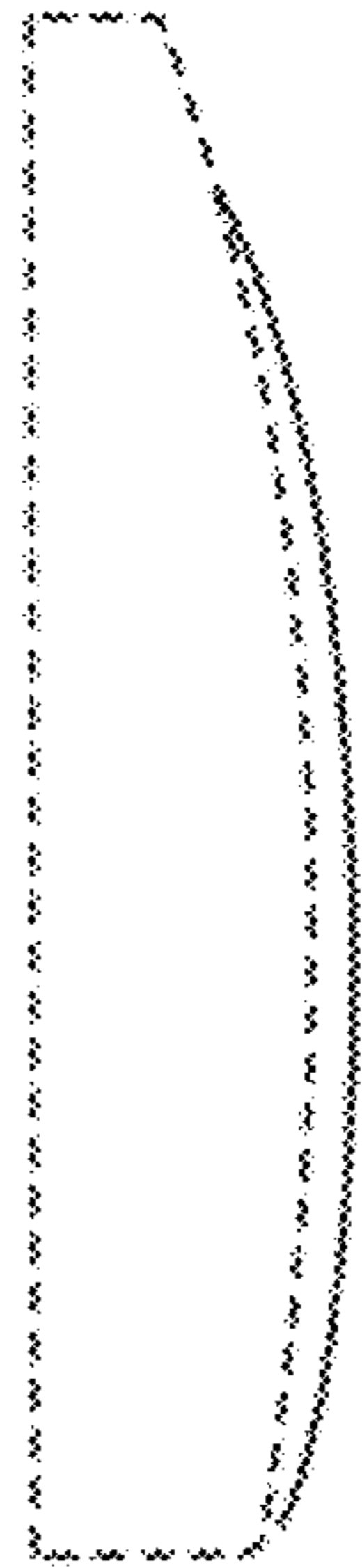


FIG. 4

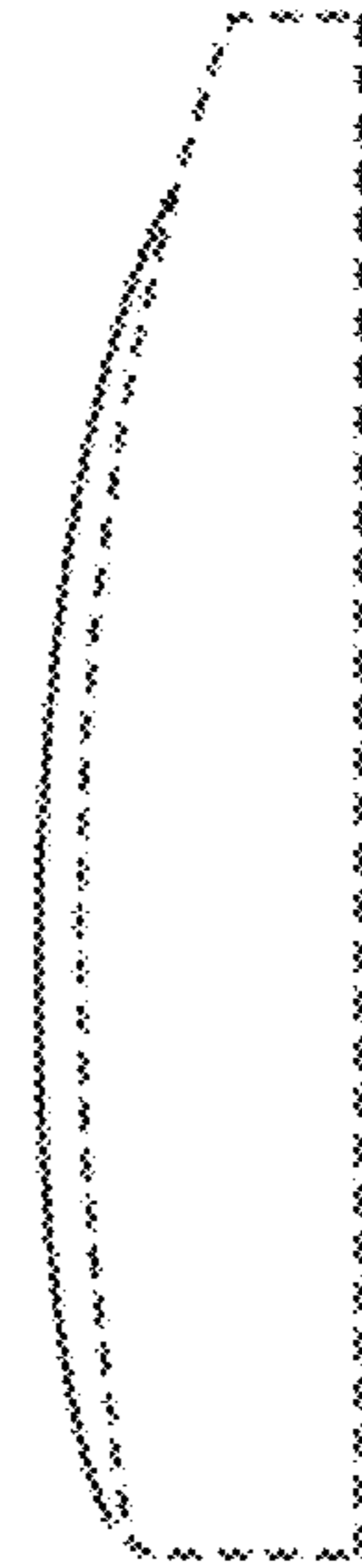


FIG. 5

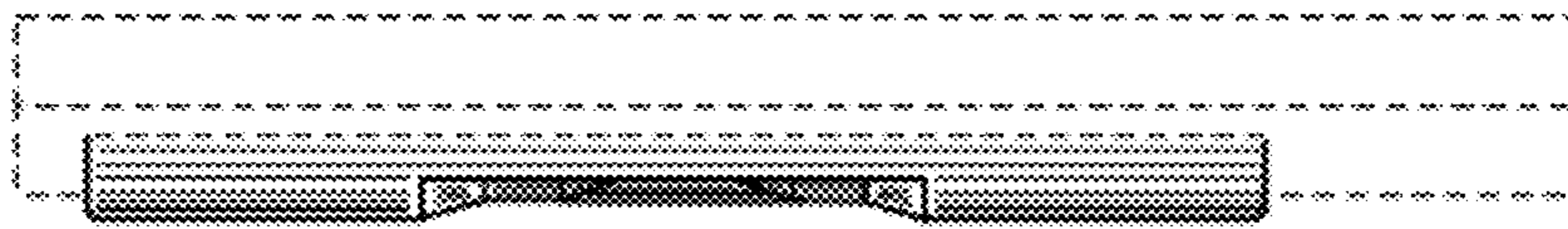


FIG. 6

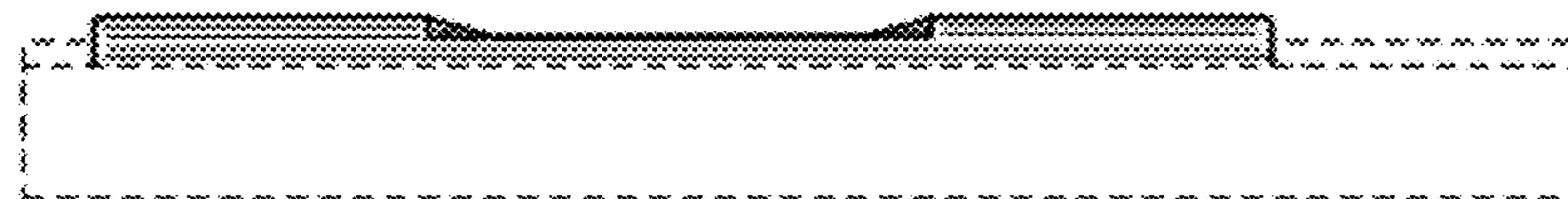


FIG. 7