



US00D672770S

(12) **United States Design Patent**
Shih et al.

(10) **Patent No.:** **US D672,770 S**

(45) **Date of Patent:** **** Dec. 18, 2012**

(54) **DISPLAY**

(75) Inventors: **Wei-Ming Shih**, New Taipei (TW);
Hui-An Ko, New Taipei (TW); **Yu-Hsin Chang**, New Taipei (TW)

(73) Assignee: **AmTRAN TECHNOLOGY Co., Ltd.**,
New Taipei (TW)

(**) Term: **14 Years**

(21) Appl. No.: **29/409,598**

(22) Filed: **Dec. 27, 2011**

(51) **LOC (9) Cl.** **14-02**

(52) **U.S. Cl.** **D14/374**

(58) **Field of Classification Search** D14/371-376,
D14/125-129, 336, 337; D6/308, 311; 345/104,
345/156, 173, 174, 901-905; 348/180, 184,
348/325, 739; 361/679.08, 679.23; 349/1,
349/2, 11, 58; 248/917-924, 371; 341/12
See application file for complete search history.

(56) **References Cited**

U.S. PATENT DOCUMENTS

6,807,051 B2 * 10/2004 Takahashi 361/679.23
D544,849 S * 6/2007 Yang et al. D14/126

D548,708 S * 8/2007 Park et al. D14/126
7,280,665 B2 * 10/2007 Tamura et al. 381/333
D570,841 S * 6/2008 Kim et al. D14/375
D572,682 S * 7/2008 Won et al. D14/126
D573,118 S * 7/2008 Yang et al. D14/126
2004/0217244 A1 * 11/2004 Wu et al. 248/278.1

* cited by examiner

Primary Examiner — Freda S Nunn

(74) *Attorney, Agent, or Firm* — Jianq Chyun IP Office

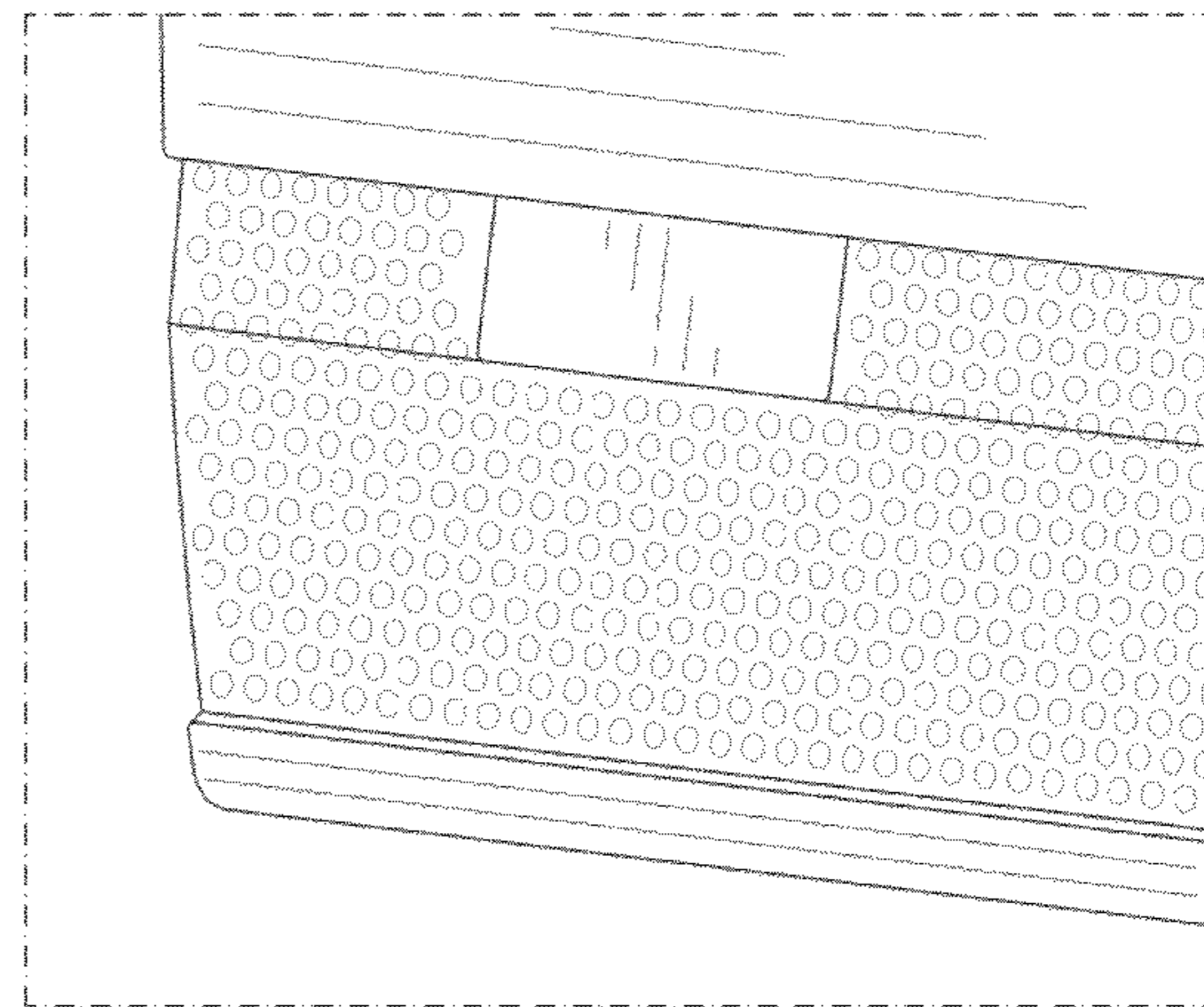
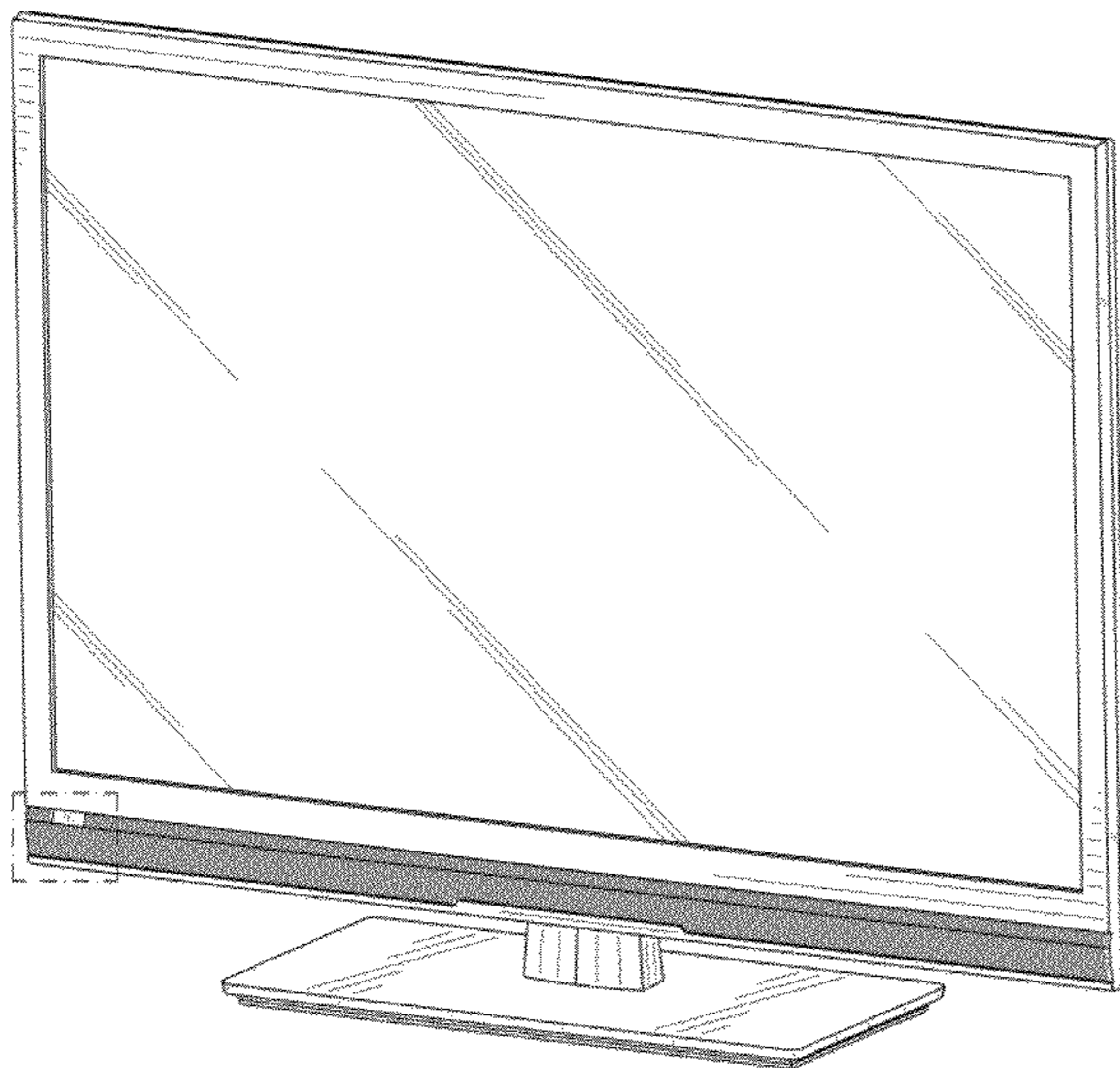
(57) **CLAIM**

The ornamental design for a display, as shown and described.

DESCRIPTION

FIG. 1 is a perspective view of a display showing our new design;
FIG. 2 is another perspective view thereof;
FIG. 3 is a front view thereof;
FIG. 4 is a rear view thereof;
FIG. 5 is a left side view thereof;
FIG. 6 is a right side view thereof;
FIG. 7 is a top view thereof; and
FIG. 8 is a bottom thereof; and,
FIG. 9 is an enlarged view of an indicated portion of FIG. 1.
The broken lines shown in the figures are for illustrative purposes only and do not form part of the claimed design.

1 Claim, 7 Drawing Sheets



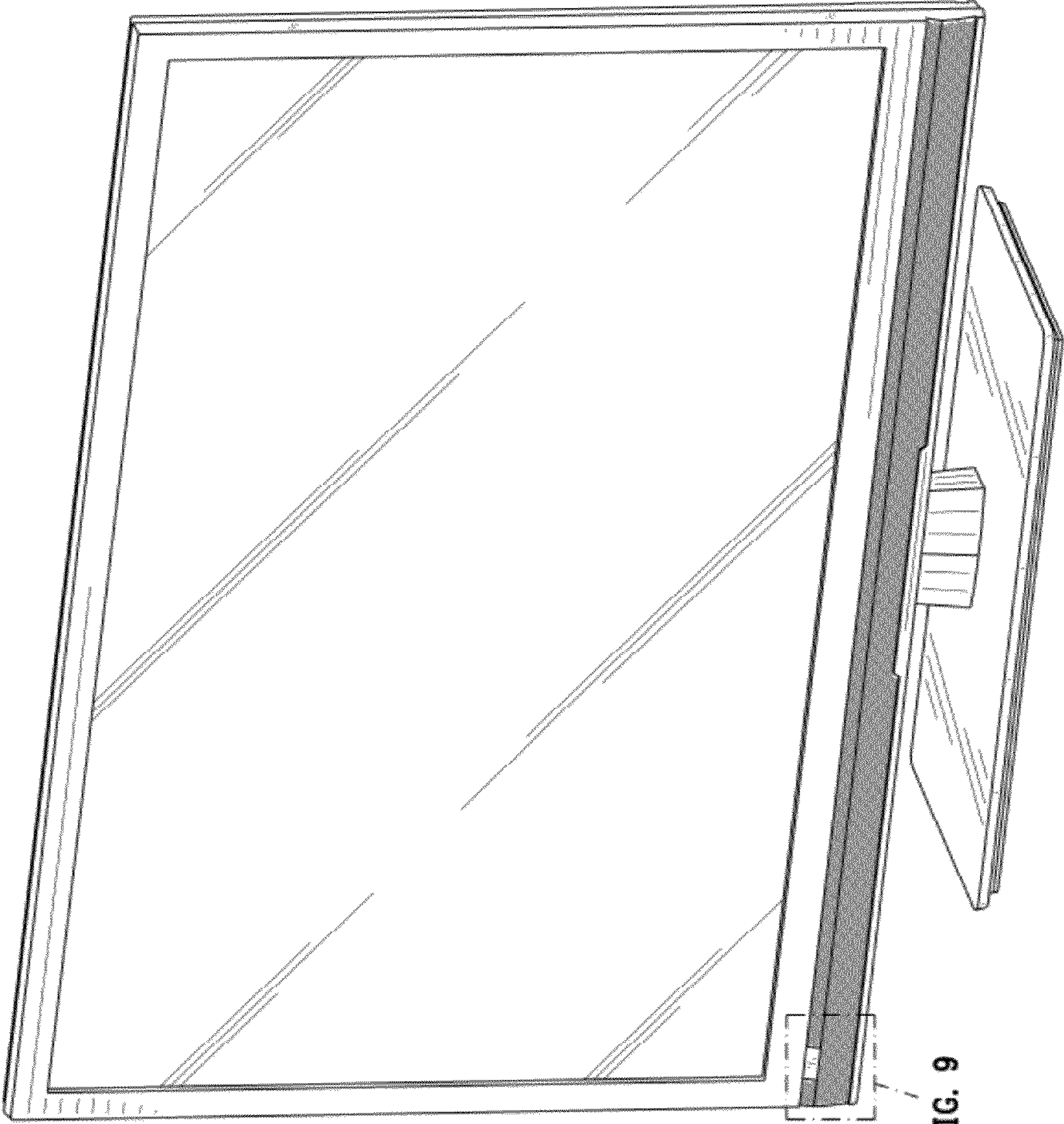


FIG. 1

FIG. 9

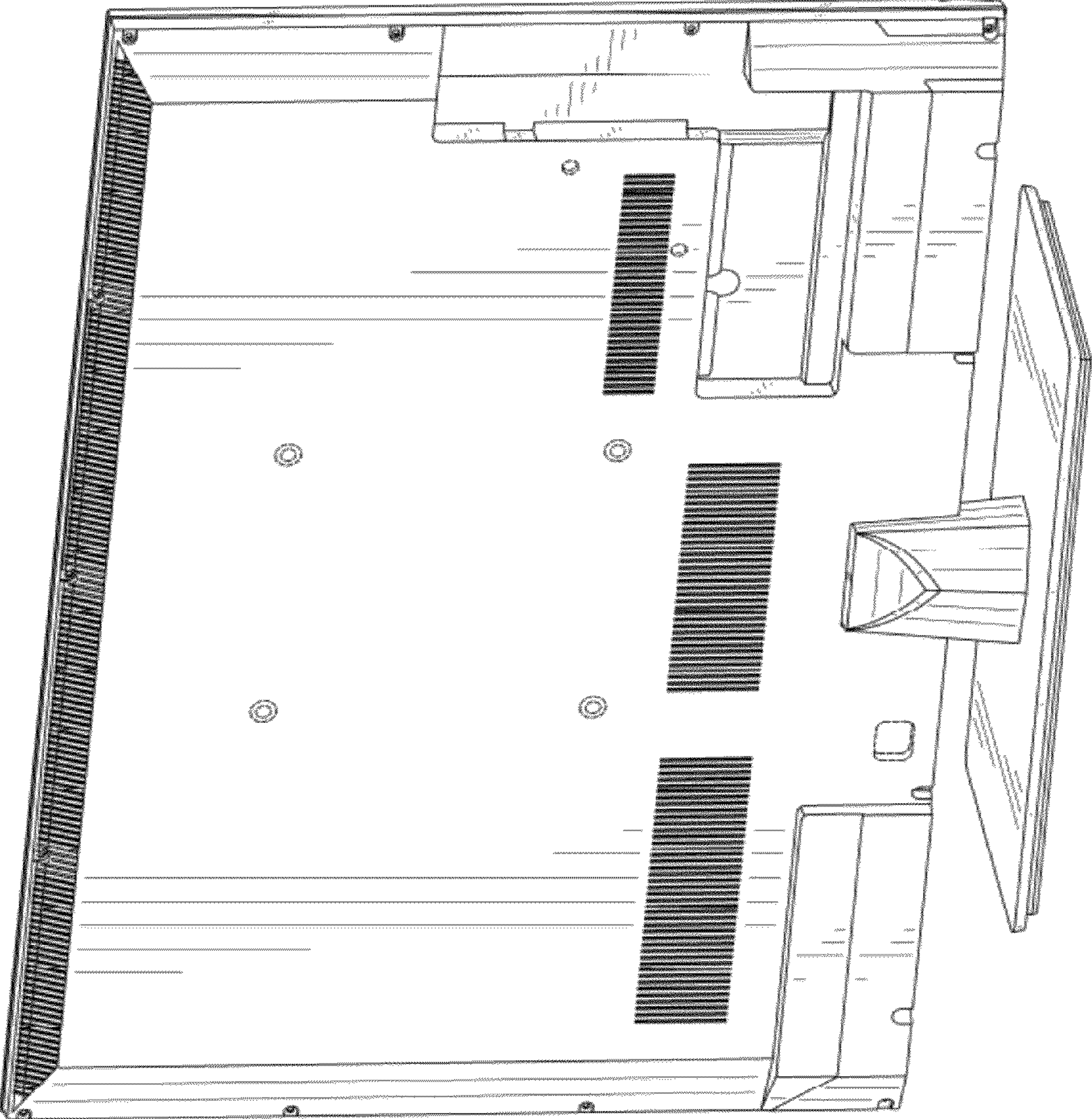


FIG. 2

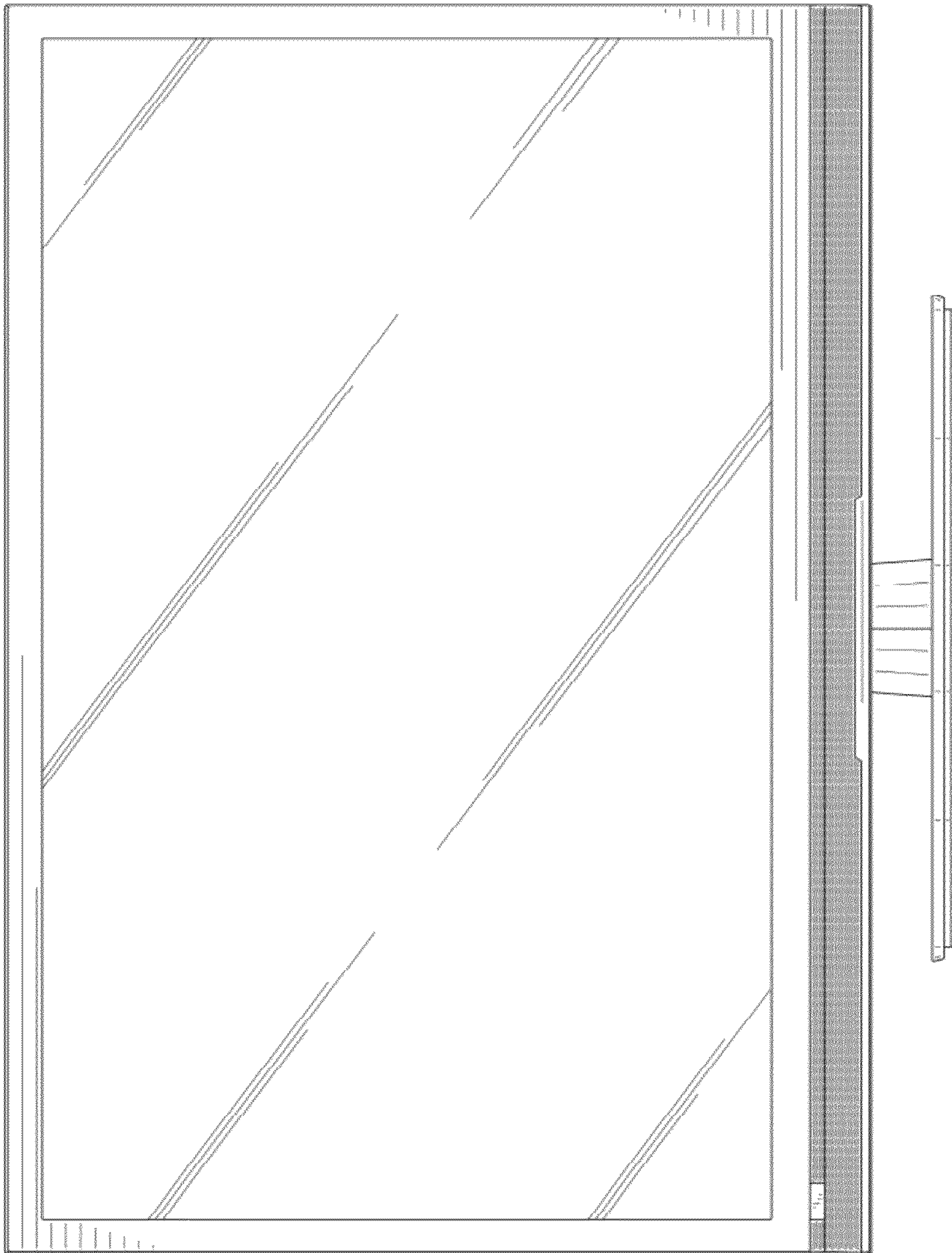


FIG. 3

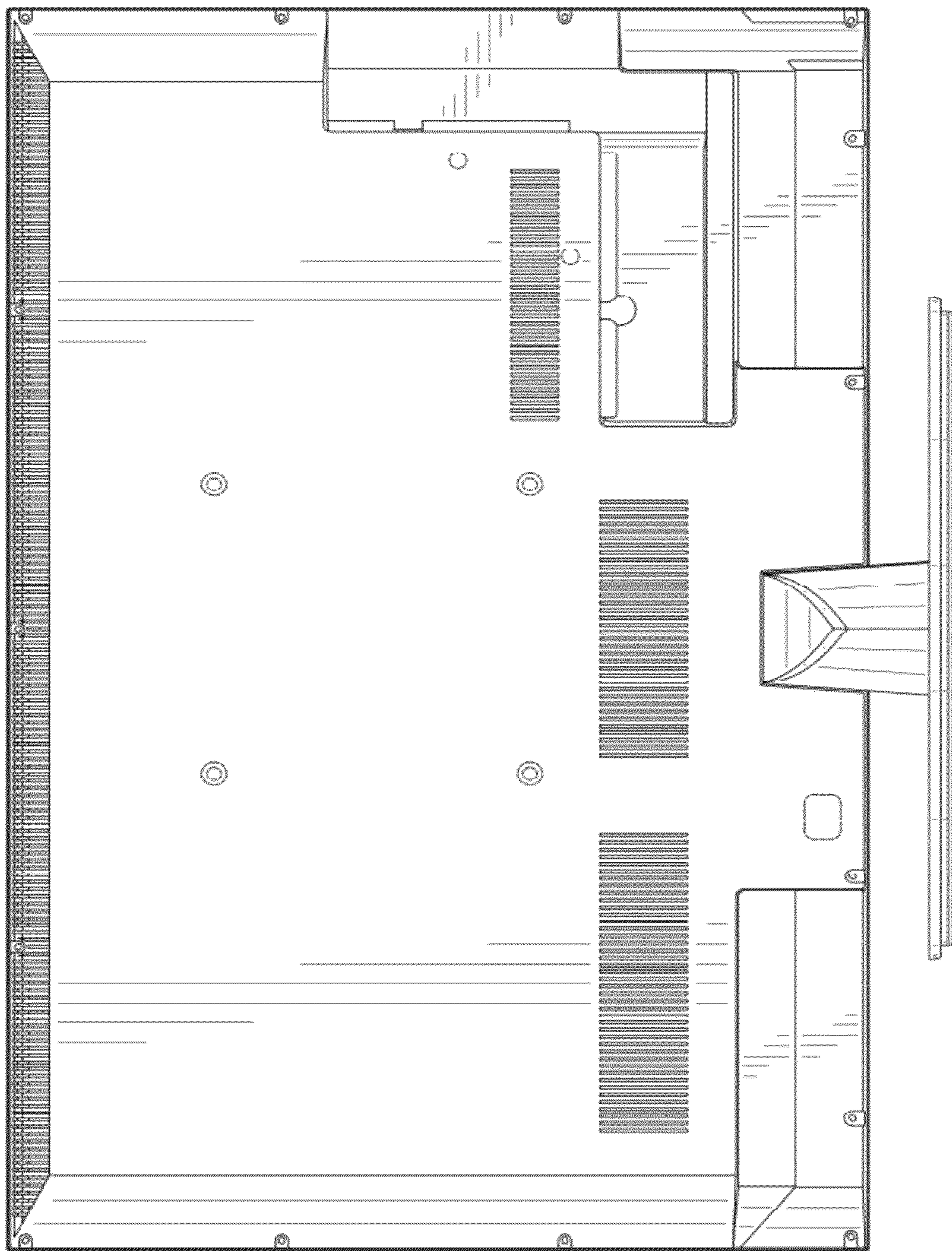


FIG. 4

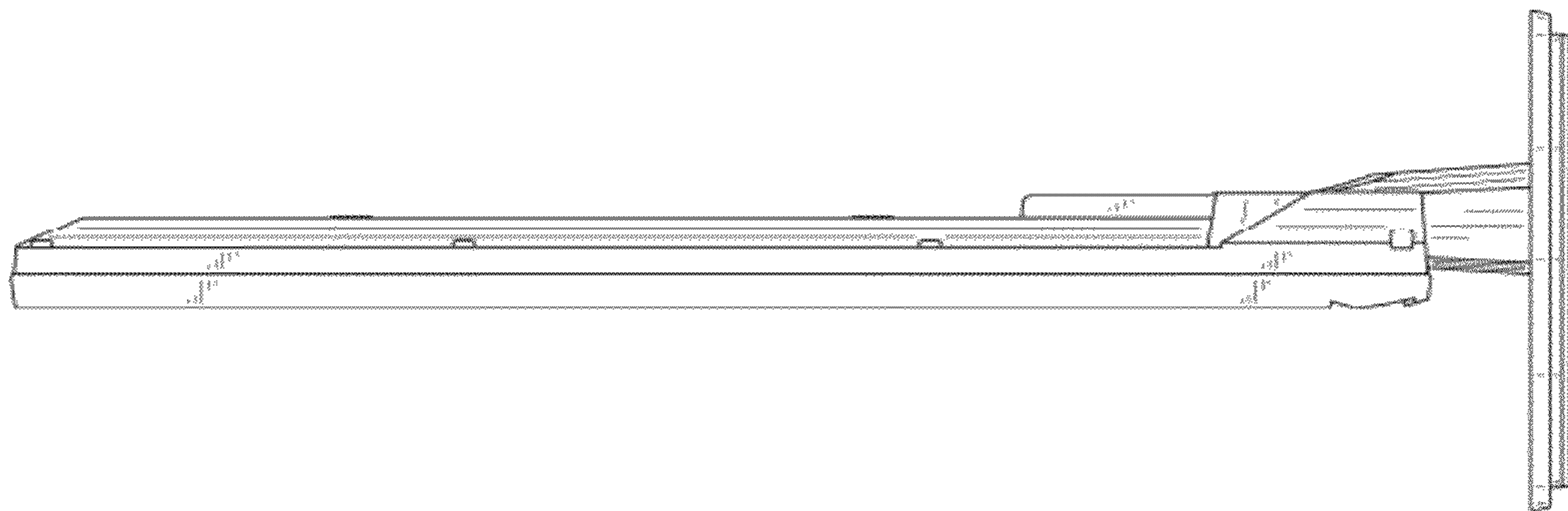


FIG. 6

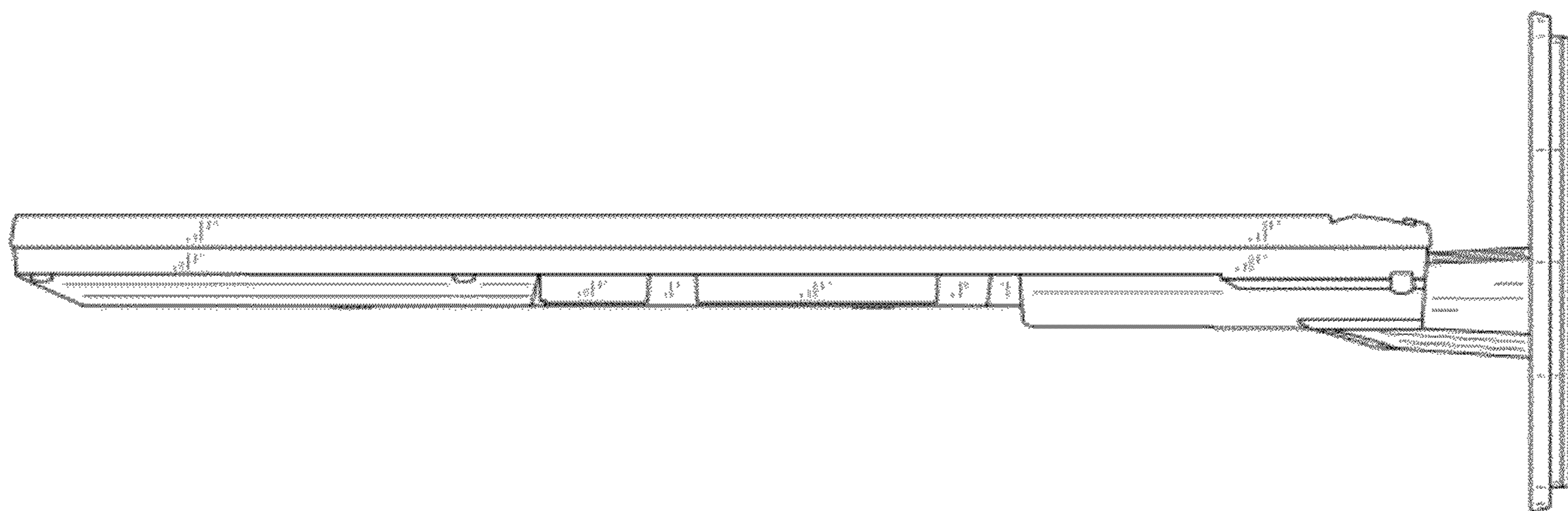


FIG. 5

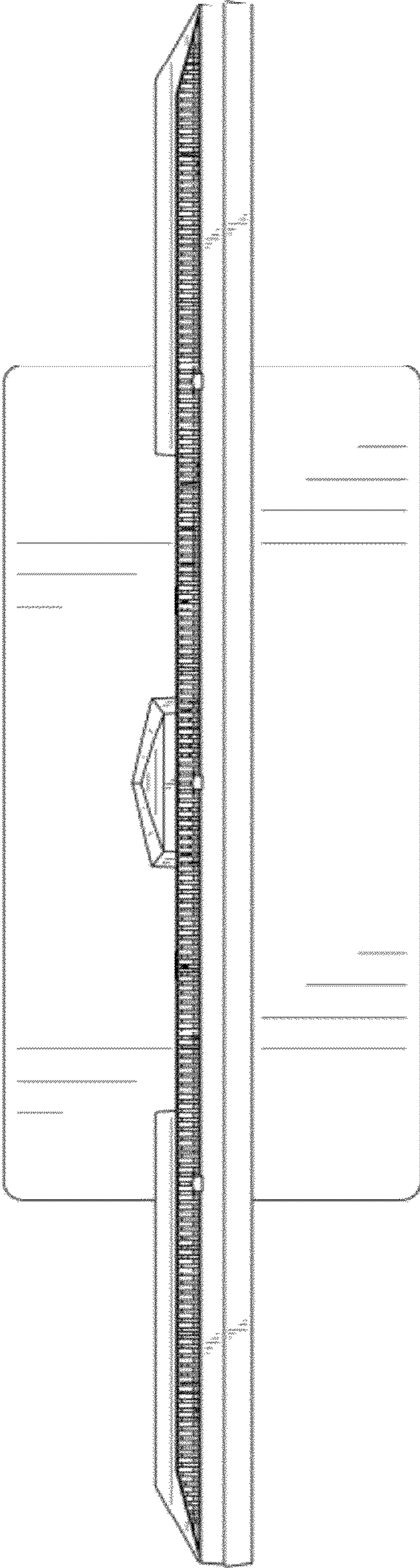


FIG. 7

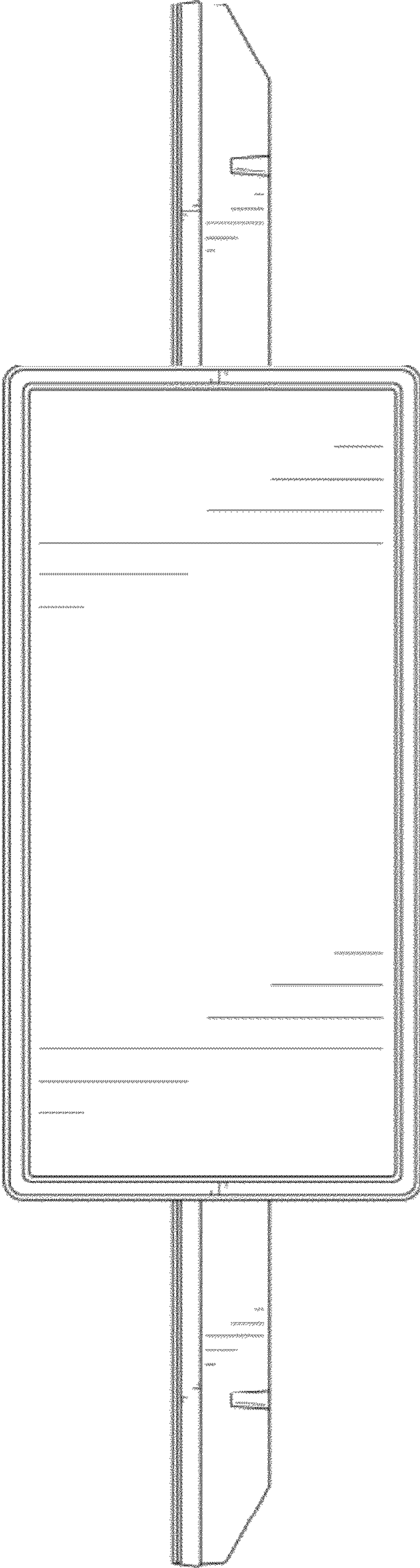


FIG. 8

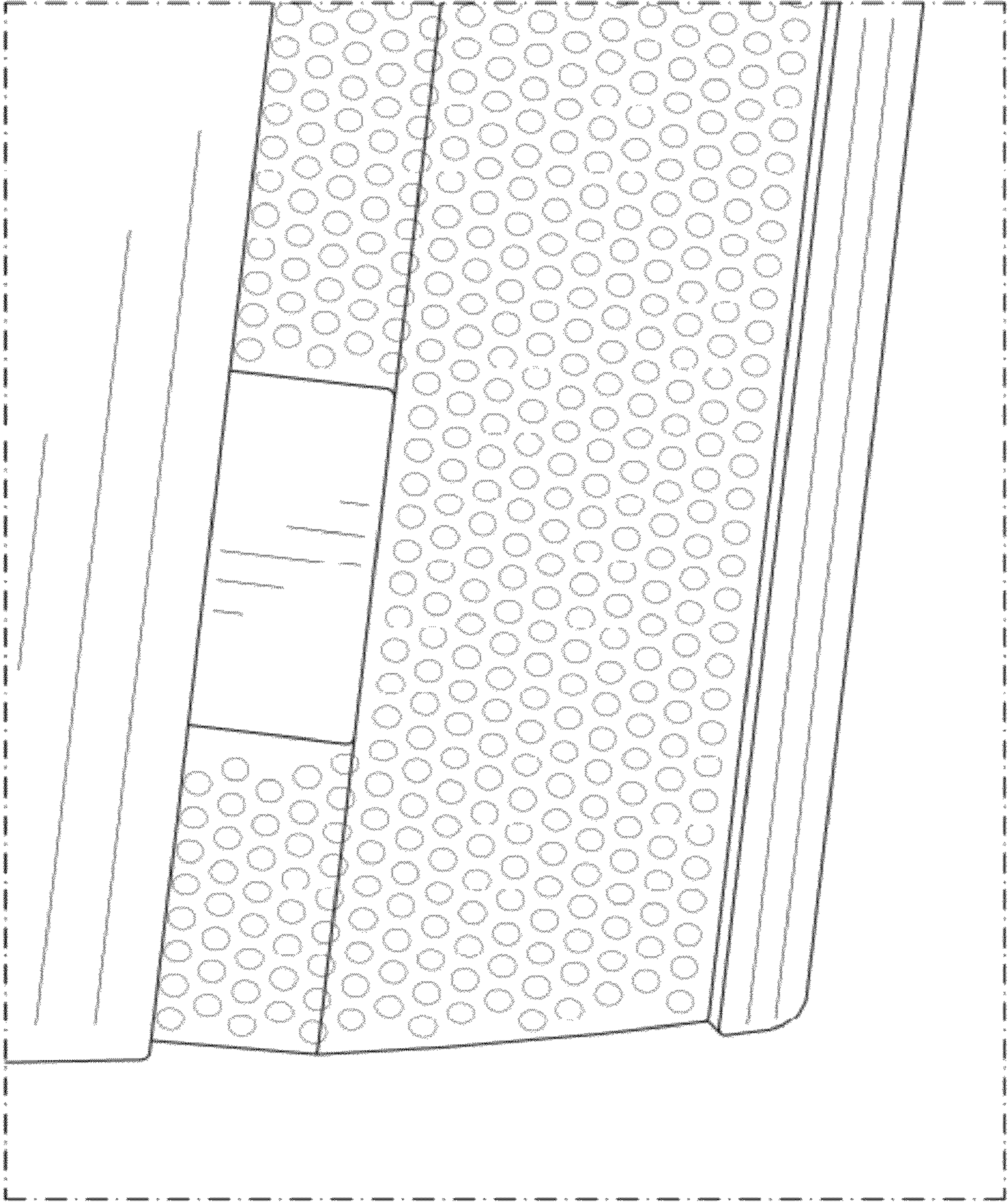


FIG. 9